

3.3"/4.0" SQUARE FIXED WALLWASH DOWNLIGHT TRIM



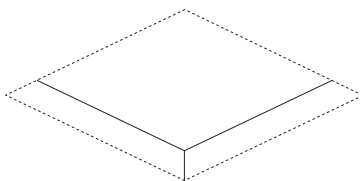
i THE IMAGES SHOWN ARE FOR ILLUSTRATION PURPOSES ONLY AND MAY NOT BE AN EXACT REPRESENTATION OF THE PRODUCT

INCLUDED COMPONENTS	
<p>RMD - REMODEL</p> <p>LED INSERT CEILING PLATE DRIVER ENCLOSURE</p>	<p>NCF - NEW CONSTRUCTION FRAME (FOR NEW CONSTRUCTION ONLY)</p> <p>LED INSERT NEW CONSTRUCTION FRAME BAR HANGERS</p>
<p>SH - SHALLOW HOUSING (FOR NEW CONSTRUCTION ONLY)</p> <p>LED INSERT SHALLOW HOUSING BAR HANGERS</p>	<p>NC/IC - NEW CONSTRUCTION HOUSING (FOR NEW CONSTRUCTION ONLY)</p> <p>LED INSERT NEW CONSTRUCTION HOUSING BAR HANGERS (OPTIONAL)</p>

INSTRUCTION KEY	INFORMATION
	ADDITIONAL
	ATTENTION
	POWER ON
	POWER OFF
	<p>INSTALLATION SHOULD ONLY BE PERFORMED BY A CERTIFIED ELECTRICIAN REFER TO LOCAL/NATIONAL CODES FOR PROPER INSTALLATION FAILURE TO FOLLOW INSTALLATION INSTRUCTION MAY VOID THE WARRANTY DO NOT TOUCH LEADS. LEADS MUST BE PROTECTED FROM MECHANICAL STRESS OR DEBRIS TURN OFF POWER DURING INSTALLATION OR SERVICING</p>

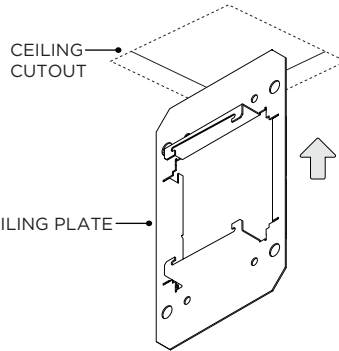
RMD - REMODEL

1



FIXTURE TYPE	CEILING HOLE SIZE
DL33SF	3.9375" x 3.9375"
DL45SF	4.6875" x 4.6875"

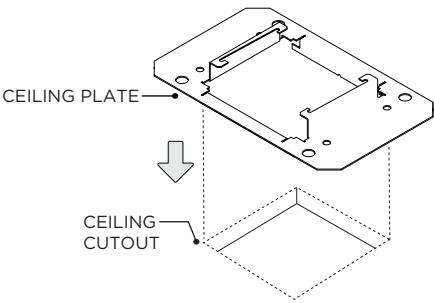
2



CEILING CUTOUT

CEILING PLATE

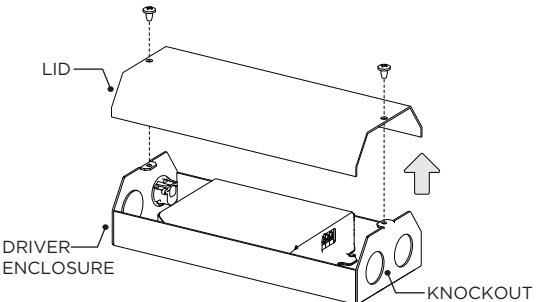
3



CEILING PLATE

CEILING CUTOUT

4



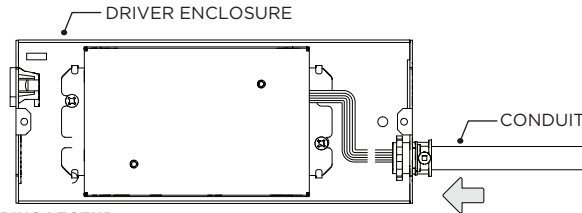
LID

DRIVER ENCLOSURE

KNOCKOUT

REMOVE LID AND KNOCKOUT FROM DRIVER ENCLOSURE

5



DRIVER ENCLOSURE

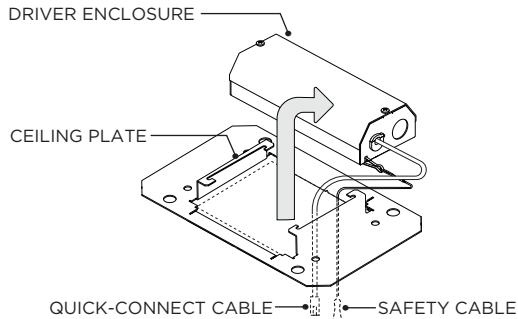
CONDUIT

WIRING LEGEND

BLACK	HOT/LINE
WHITE	NEUTRAL
GREEN	GROUND
ORANGE	(DIM-)
PURPLE	(DIM+)

CONNECT CONDUIT TO DRIVER ENCLOSURE AND MAKE WIRING CONNECTIONS

6



DRIVER ENCLOSURE

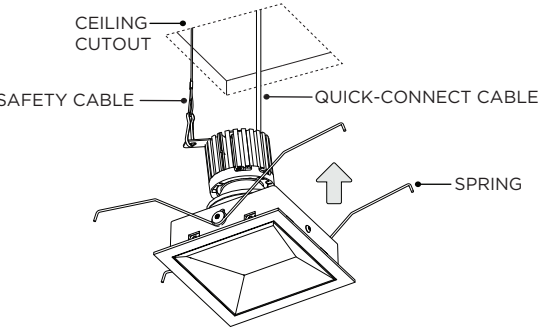
CEILING PLATE

QUICK-CONNECT CABLE

SAFETY CABLE

SECURE LID ONTO DRIVER ENCLOSURE AND PLACE ABOVE CEILING

7



CEILING CUTOUT

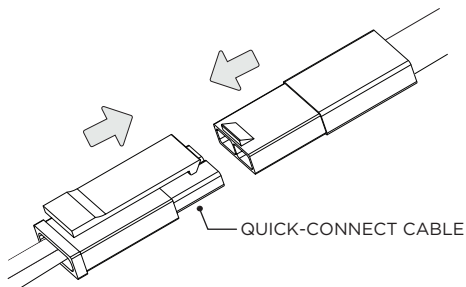
SAFETY CABLE

QUICK-CONNECT CABLE

SPRING

INSERT LED ASSEMBLY INTO CEILING

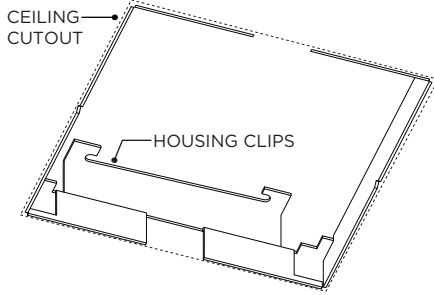
7A



QUICK-CONNECT CABLE

CONNECT SAFETY CABLE & QUICK-CONNECT CABLE TO LED ASSEMBLY

7B

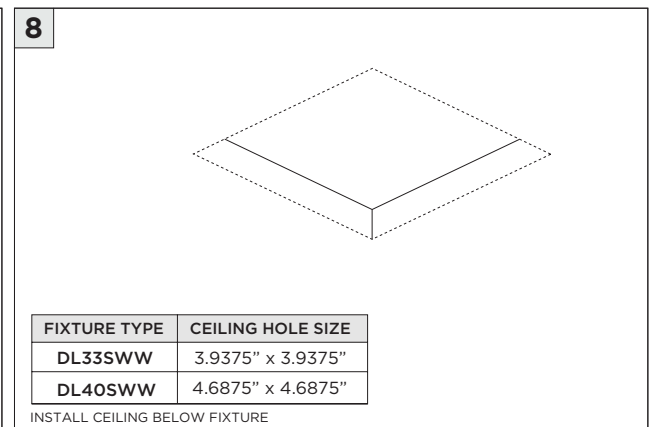
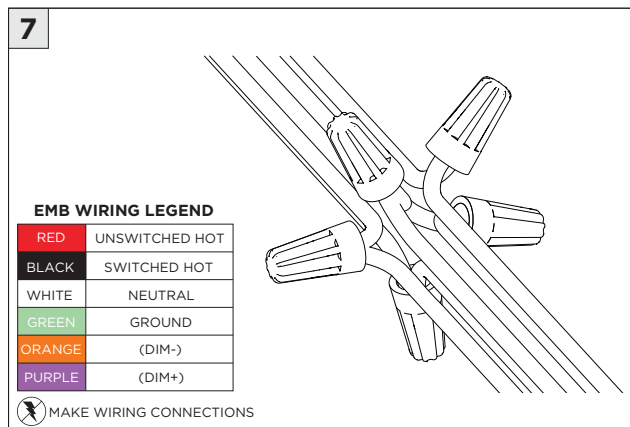
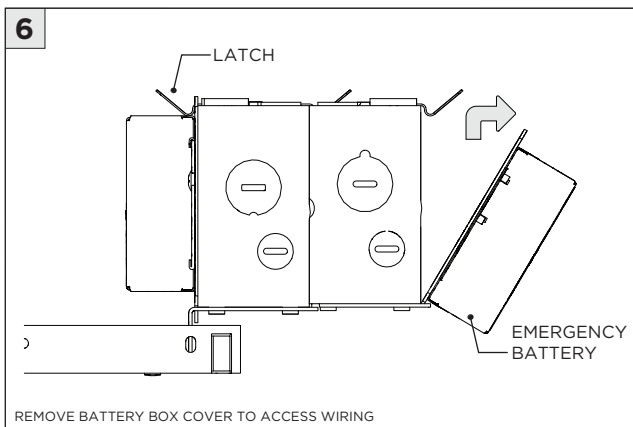
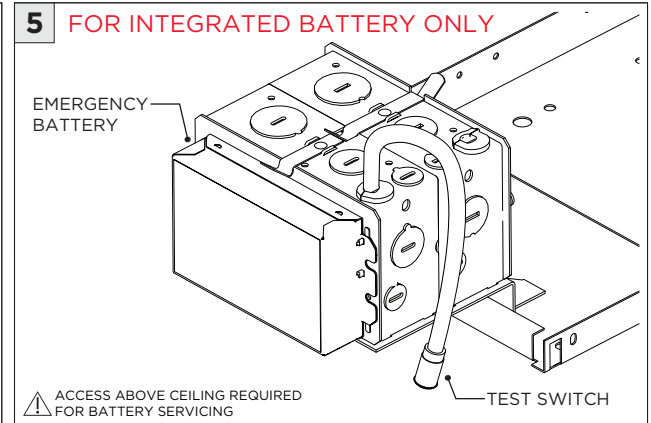
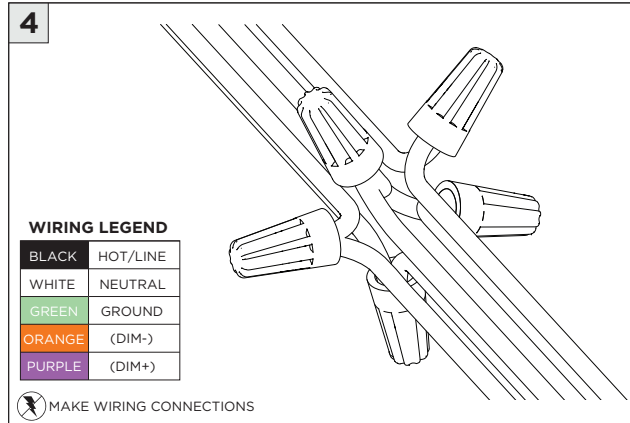
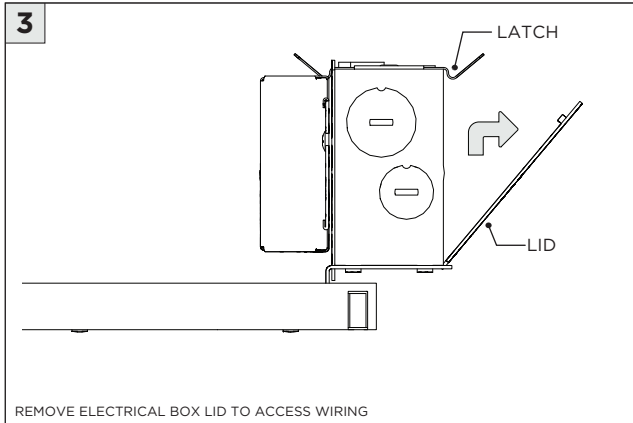
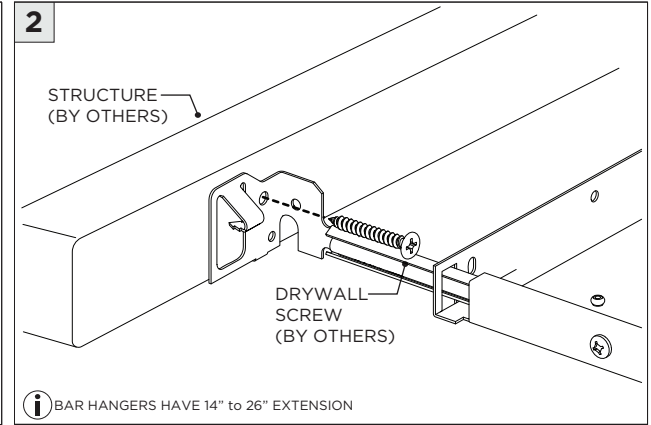
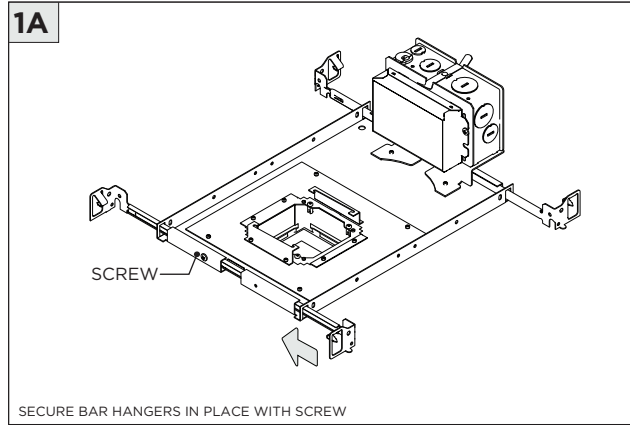
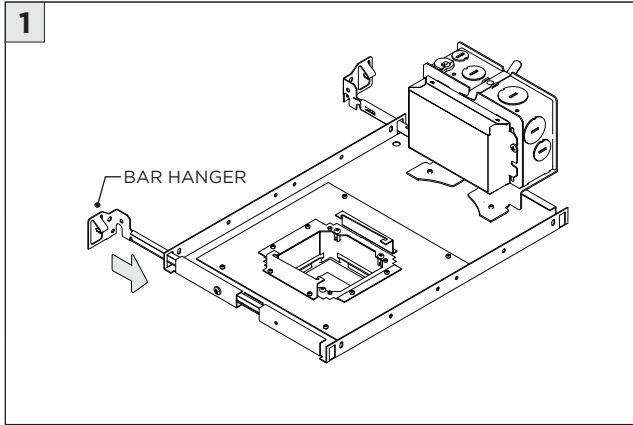


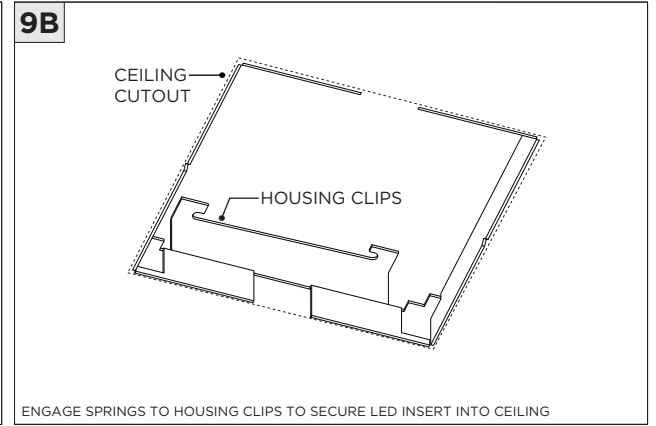
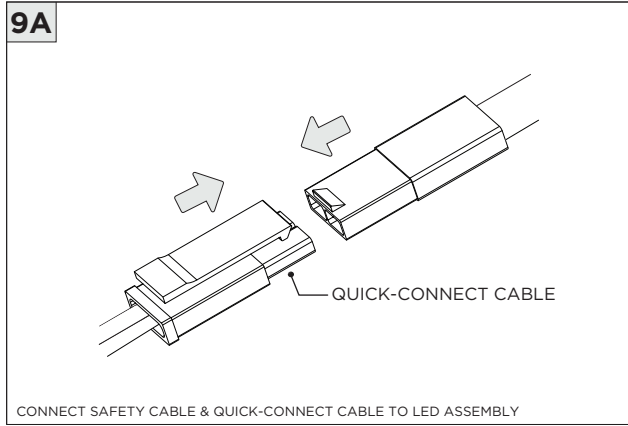
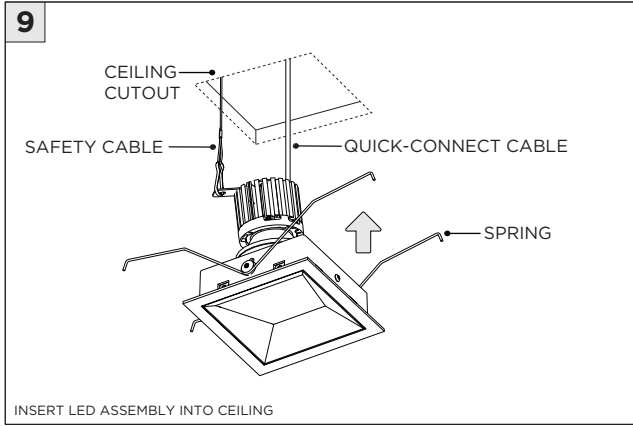
CEILING CUTOUT

HOUSING CLIPS

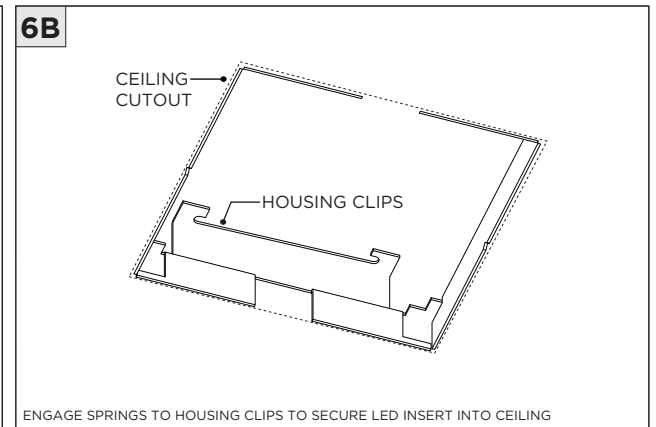
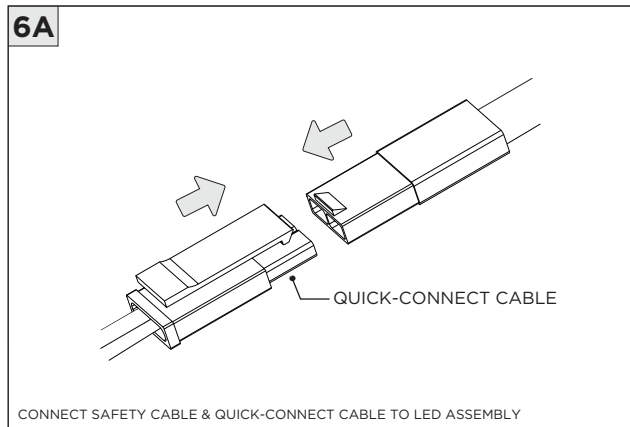
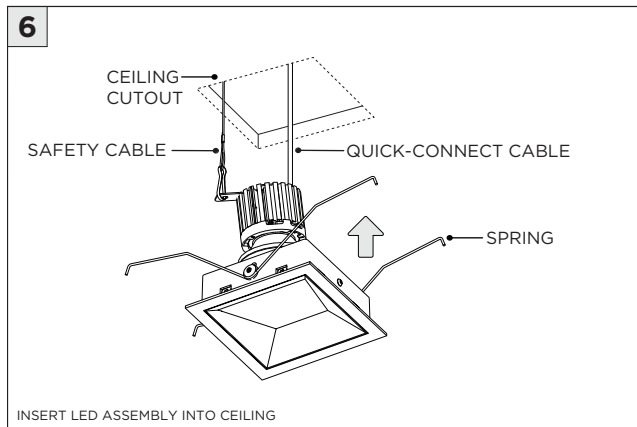
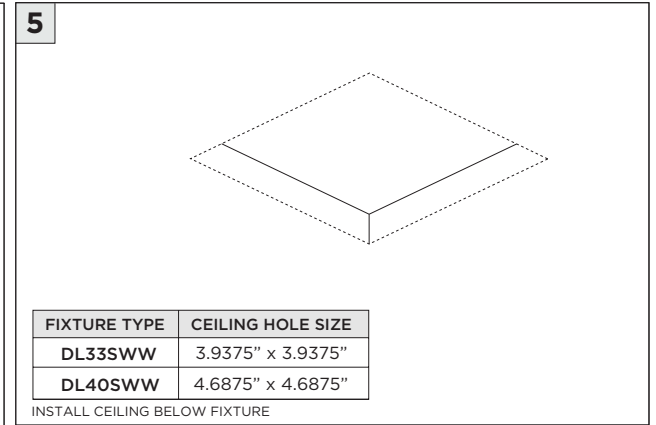
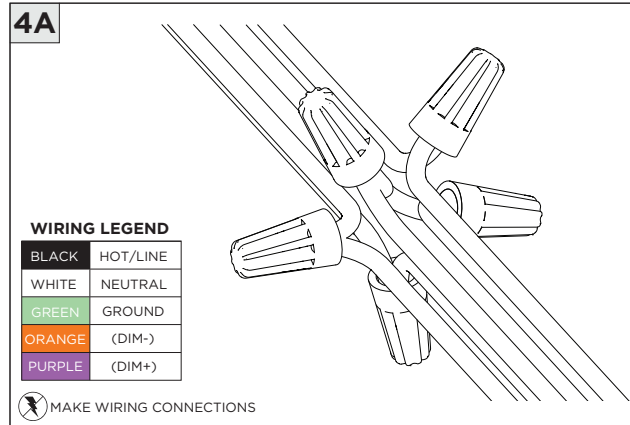
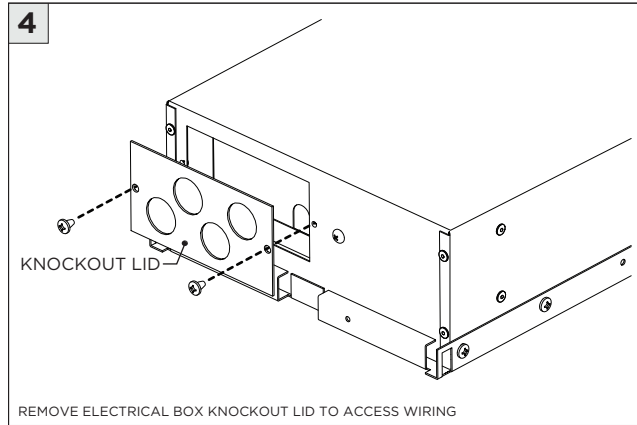
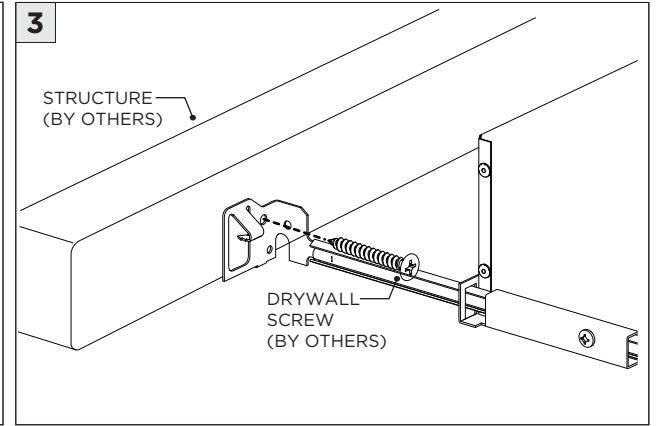
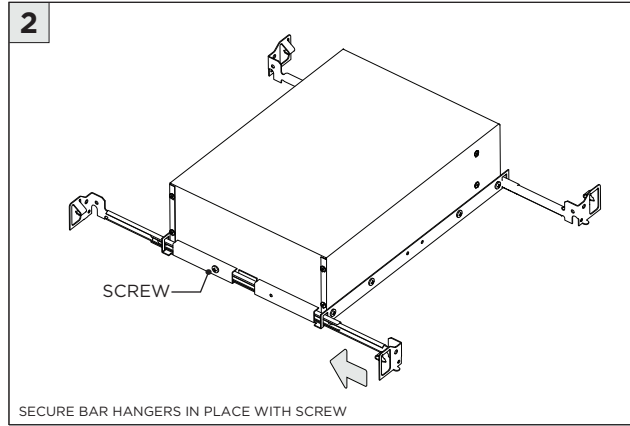
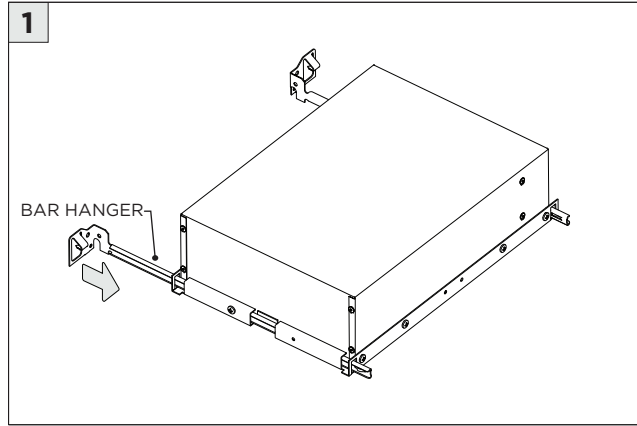
ENGAGE SPRINGS TO HOUSING CLIPS TO SECURE LED INSERT INTO CEILING

NCF - NEW CONSTRUCTION FRAME (FOR NEW CONSTRUCTION ONLY)



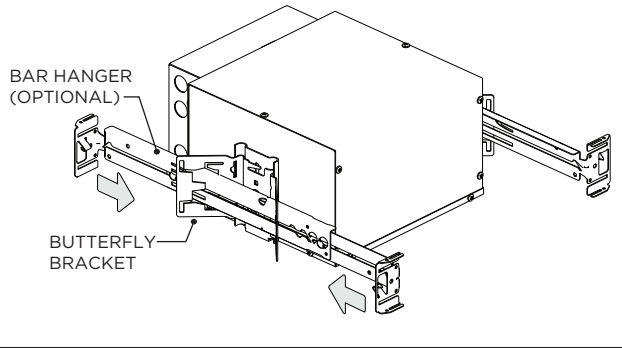


SH - SHALLOW HOUSING (FOR NEW CONSTRUCTION ONLY)

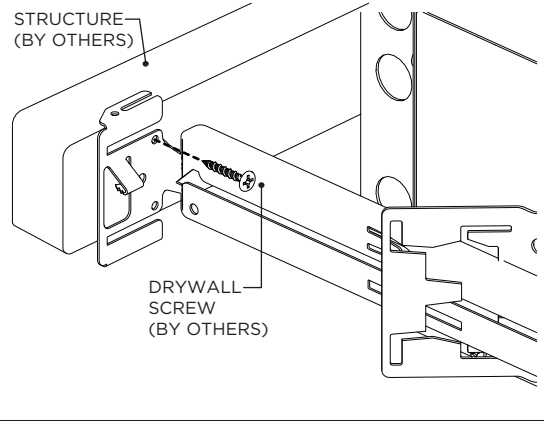


NC/IC - NEW CONSTRUCTION HOUSING (FOR NEW CONSTRUCTION ONLY)

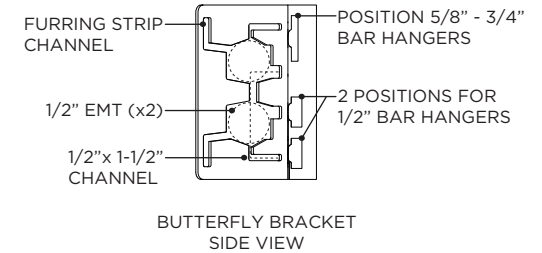
1 BAR HANGER INSTALLATION
(IF SUPPLIED BY 3G)



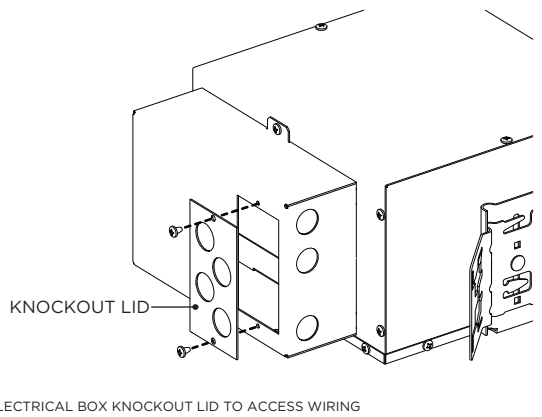
1A



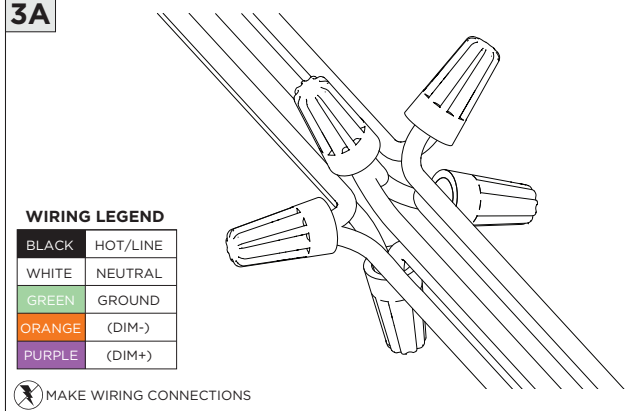
2 OTHER BAR HANGER INSTALLATION
(NOT PROVIDED BY 3G)



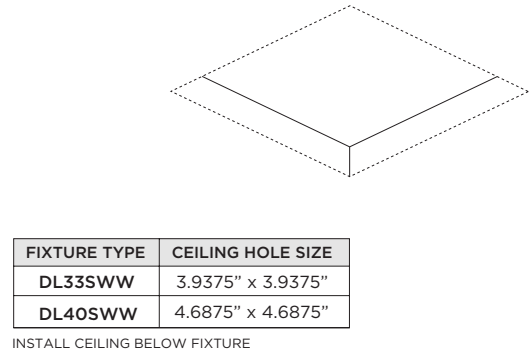
3



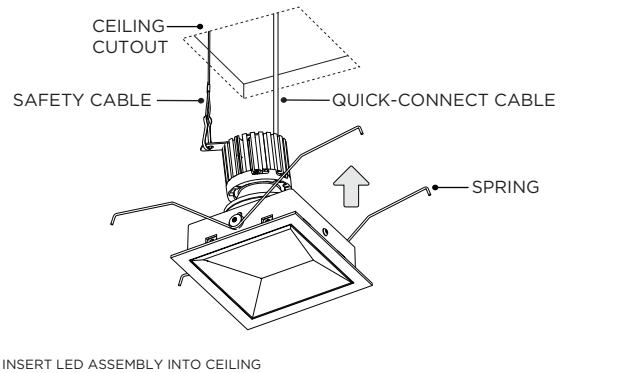
3A



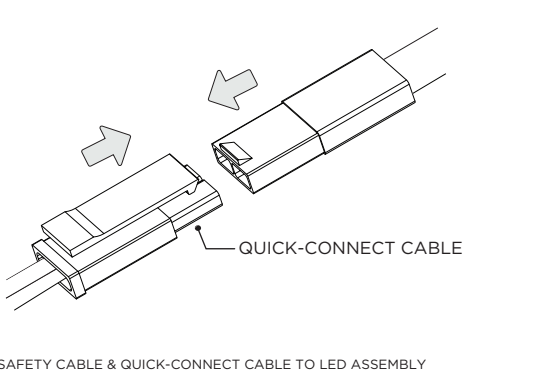
4



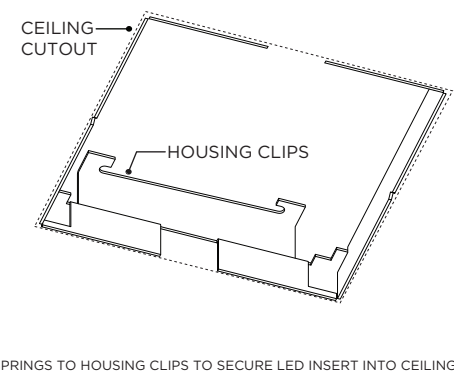
5



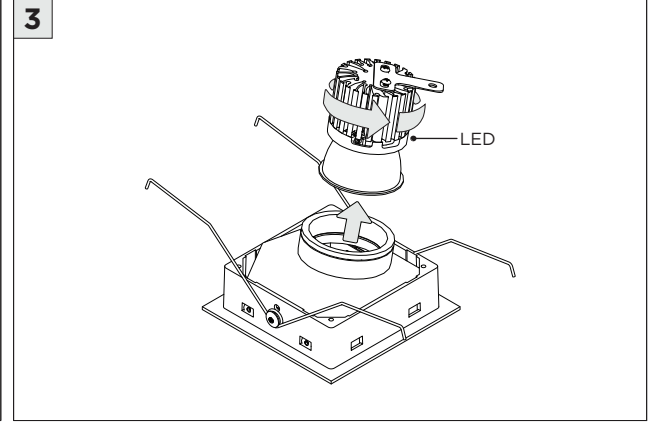
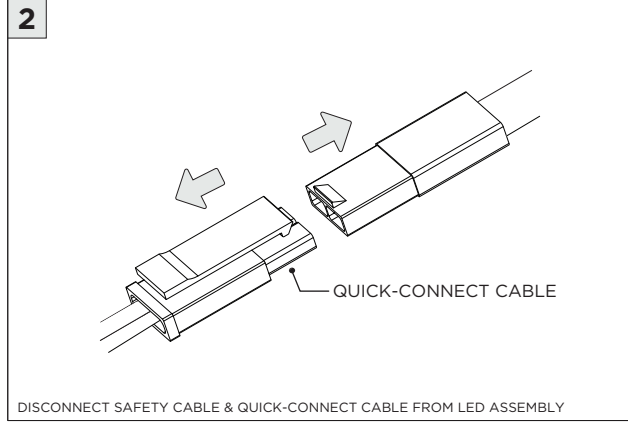
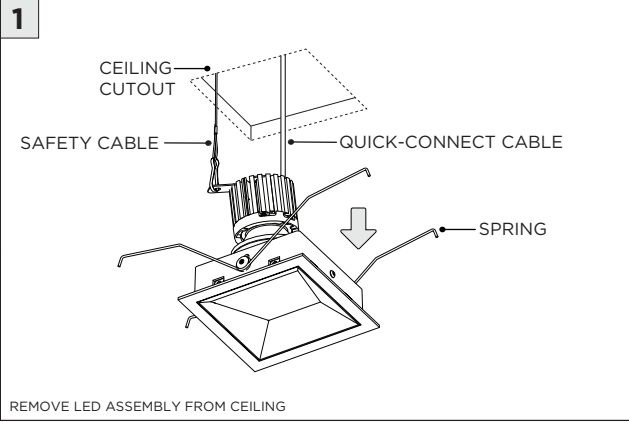
5A



5B

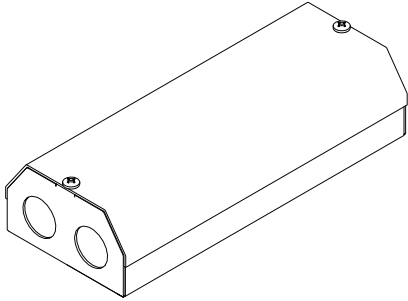


LED SERVICING



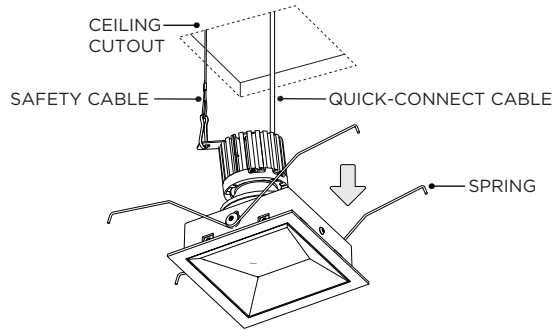
DRIVER SERVICING

1 RMD - REMODEL



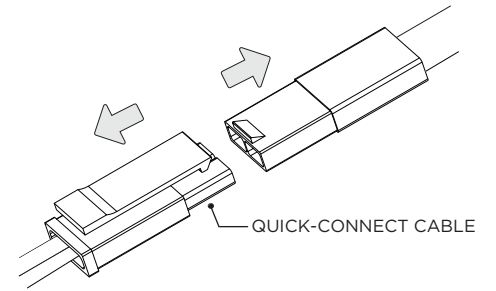
 DISCONNECT POWER BEFORE SERVICING

2



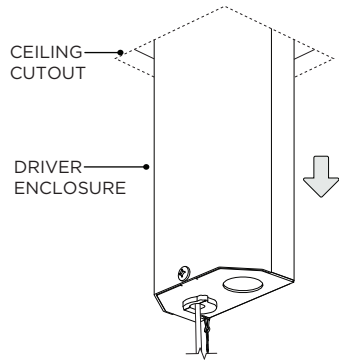
REMOVE LED ASSEMBLY FROM CEILING

2A

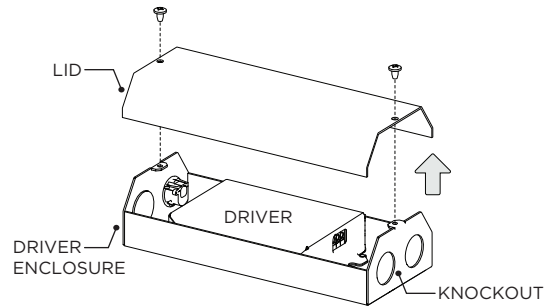


DISCONNECT SAFETY CABLE & QUICK-CONNECT CABLE FROM LED ASSEMBLY

3

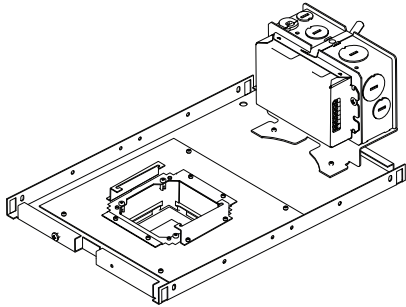


4



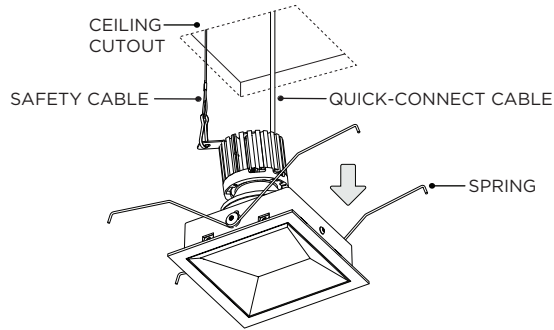
DRIVER SERVICING

1 NCF - NEW CONSTRUCTION FRAME



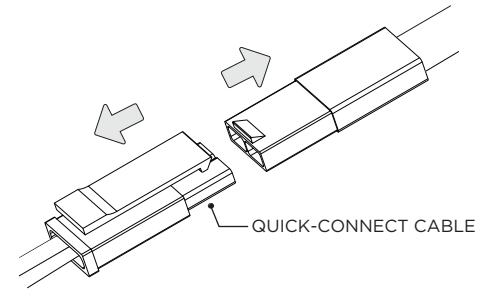
DISCONNECT POWER BEFORE SERVICING

2



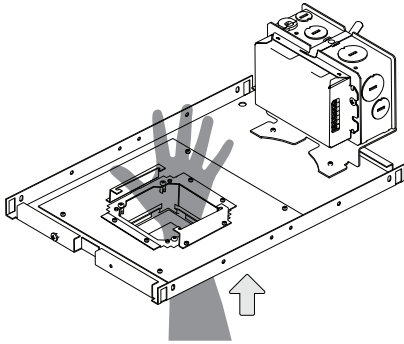
REMOVE LED ASSEMBLY FROM CEILING

2A

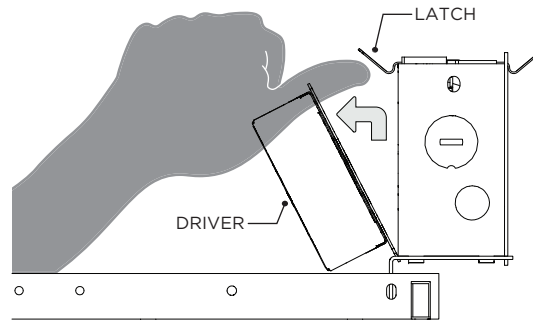


DISCONNECT SAFETY CABLE & QUICK-CONNECT CABLE FROM LED ASSEMBLY

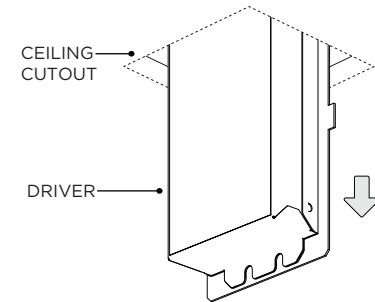
3



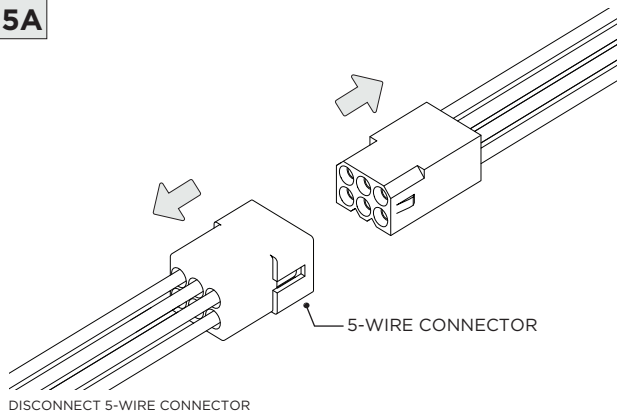
4



5



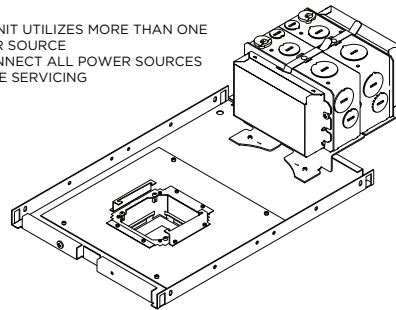
5A



DISCONNECT 5-WIRE CONNECTOR

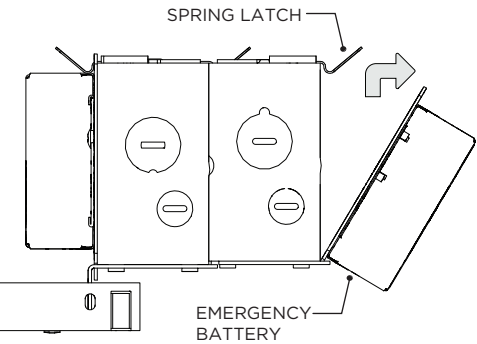
6 NCF - NEW CONSTRUCTION FRAME FOR INTEGRATED BATTERY ONLY

THIS UNIT UTILIZES MORE THAN ONE POWER SOURCE
DISCONNECT ALL POWER SOURCES BEFORE SERVICING



ACCESS ABOVE CEILING REQUIRED FOR DRIVER SERVICING

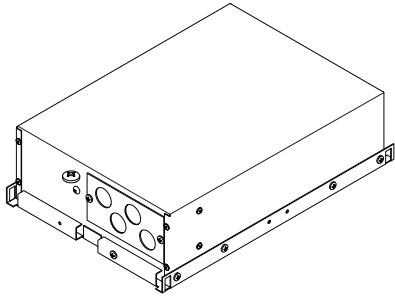
7



REMOVE BATTERY BOX COVER TO ACCESS WIRING

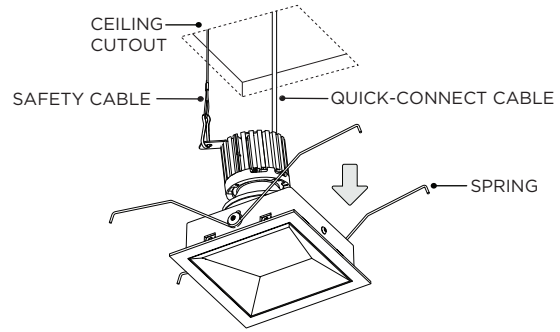
DRIVER SERVICING

1 SH - SHALLOW HOUSING



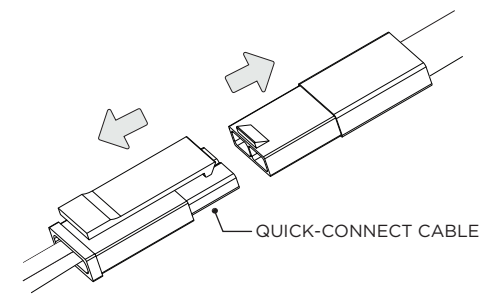
⚡ DISCONNECT POWER BEFORE SERVICING

2



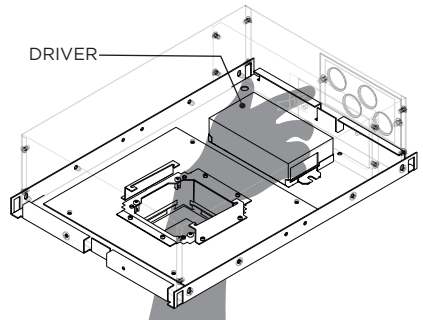
REMOVE LED ASSEMBLY FROM CEILING

2A



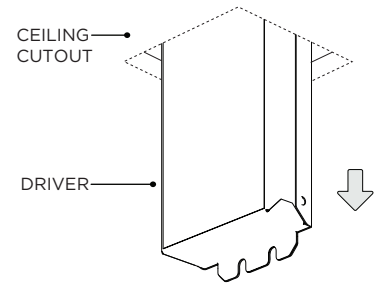
DISCONNECT SAFETY CABLE & QUICK-CONNECT CABLE FROM LED ASSEMBLY

3

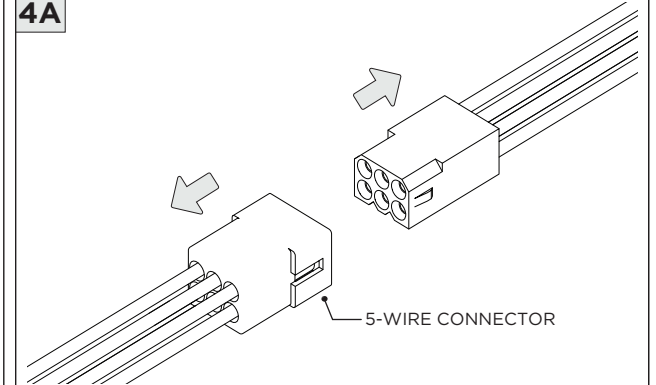


REMOVE DRIVER - SECURED WITH HOOK-AND-LOOP FASTENER

4



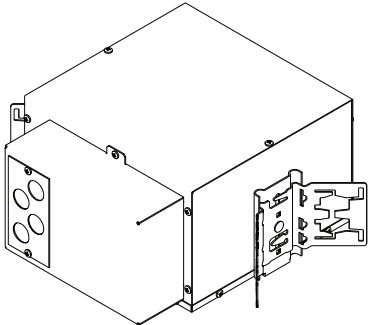
4A



DISCONNECT 5-WIRE CONNECTOR

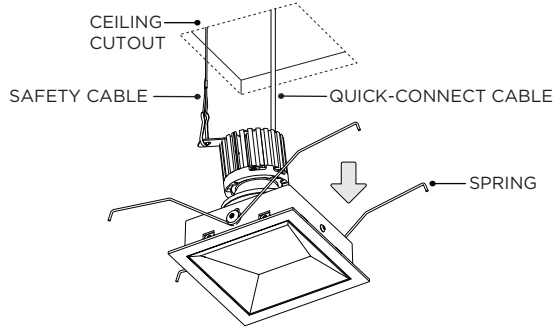
DRIVER SERVICING

1 NC/IC - NEW CONSTRUCTION HOUSING



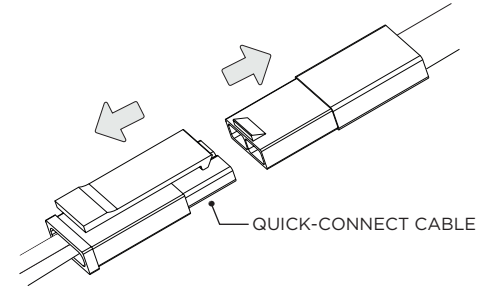
DISCONNECT POWER BEFORE SERVICING

2



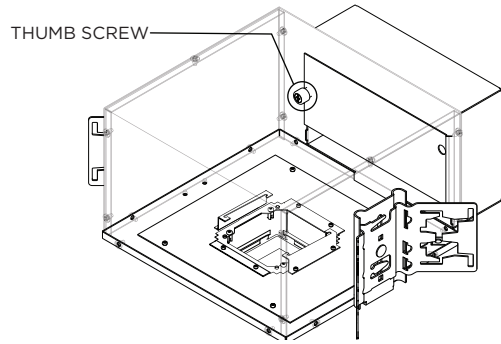
REMOVE LED ASSEMBLY FROM CEILING

2A



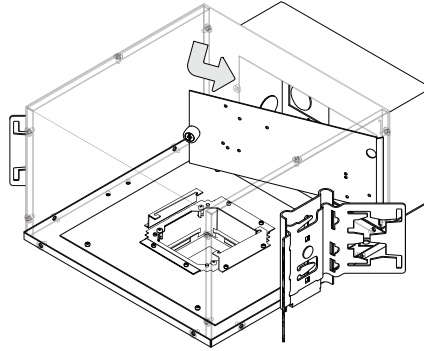
DISCONNECT SAFETY CABLE & QUICK-CONNECT CABLE FROM LED ASSEMBLY

3

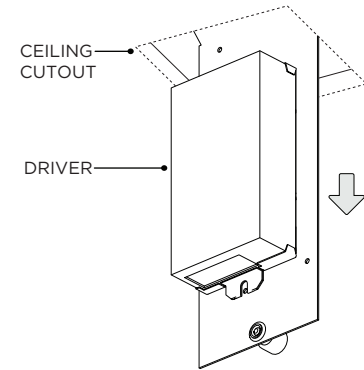


THUMB SCREW

4



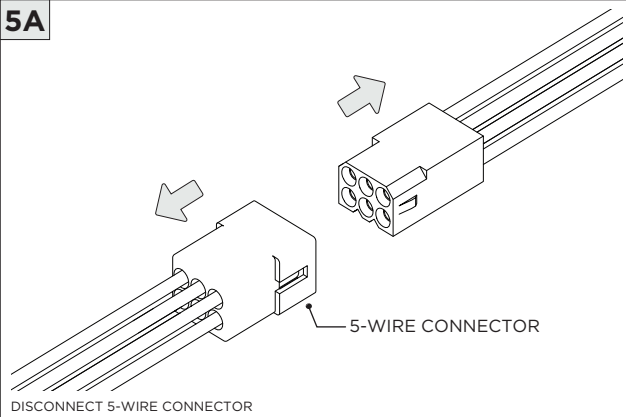
5



CEILING CUTOUT

DRIVER

5A



5-WIRE CONNECTOR

DISCONNECT 5-WIRE CONNECTOR