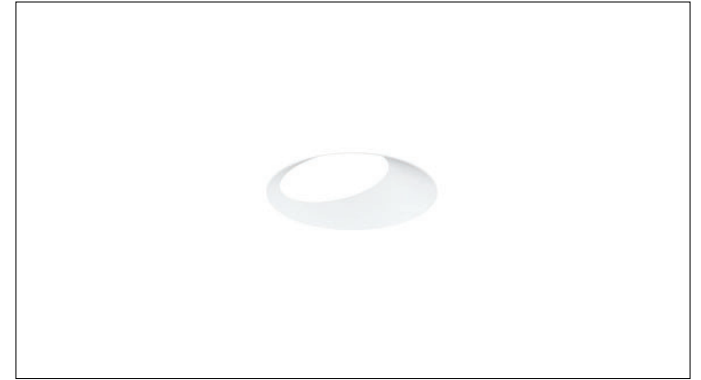

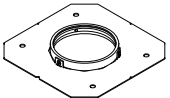
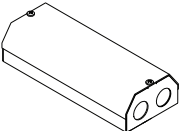
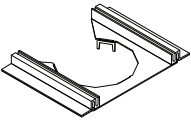

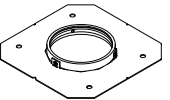
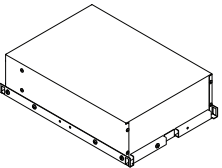
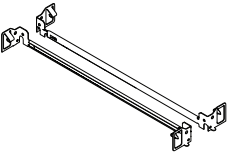

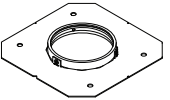
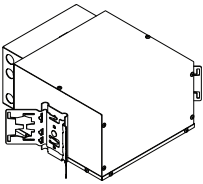
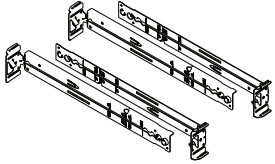






3.3"/4.5" ROUND WALLWASH DOWNLIGHT TRIMLESS



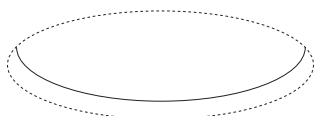
i THE IMAGES SHOWN ARE FOR ILLUSTRATION PURPOSES ONLY AND MAY NOT BE AN EXACT REPRESENTATION OF THE PRODUCT

INCLUDED COMPONENTS			
RMD - REMODEL		NCF - NEW CONSTRUCTION FRAME (FOR NEW CONSTRUCTION ONLY)	
			
LED INSERT	MUDDING FLANGE	DRIVER ENCLOSURE	BLOCKING SUPPORT PLATE
SH - SHALLOW HOUSING (FOR NEW CONSTRUCTION ONLY)		NC/IC - NEW CONSTRUCTION HOUSING (FOR NEW CONSTRUCTION ONLY)	
			
LED INSERT	MUDDING FLANGE	SHALLOW HOUSING	BAR HANGERS
			
LED INSERT	MUDDING FLANGE	NEW CONSTRUCTION HOUSING	BAR HANGERS (OPTIONAL)

INSTRUCTION KEY	INFORMATION
 ADDITIONAL	INSTALLATION SHOULD ONLY BE PERFORMED BY A CERTIFIED ELECTRICIAN
 ATTENTION	REFER TO LOCAL/NATIONAL CODES FOR PROPER INSTALLATION
 POWER ON	FAILURE TO FOLLOW INSTALLATION INSTRUCTION MAY VOID THE WARRANTY
 POWER OFF	DO NOT TOUCH LEDS. LEDS MUST BE PROTECTED FROM MECHANICAL STRESS OR DEBRIS
	TURN OFF POWER DURING INSTALLATION OR SERVICING

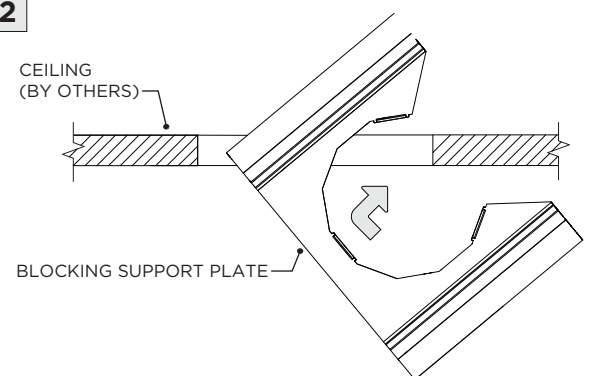
RMD - REMODEL

1



FIXTURE TYPE	CEILING HOLE SIZE
DL33RWW	Ø 3.8125"
DL45RWW	Ø 5.1250"

2

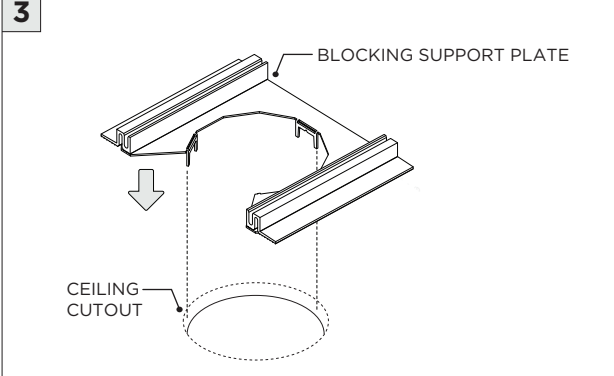


CEILING (BY OTHERS)

BLOCKING SUPPORT PLATE

ROTATE BLOCKING SUPPORT PLATE THROUGH CEILING CUTOUT

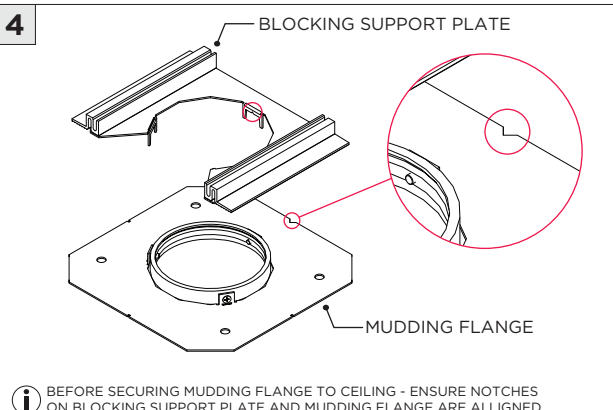
3



BLOCKING SUPPORT PLATE

CEILING CUTOUT

4

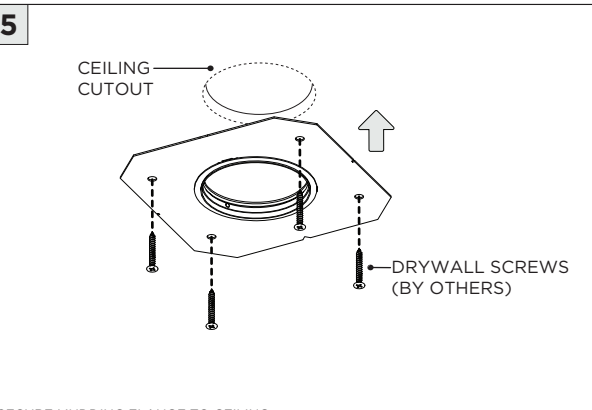


BLOCKING SUPPORT PLATE

MUDDING FLANGE

i BEFORE SECURING MUDDING FLANGE TO CEILING - ENSURE NOTCHES ON BLOCKING SUPPORT PLATE AND MUDDING FLANGE ARE ALLIGNED

5

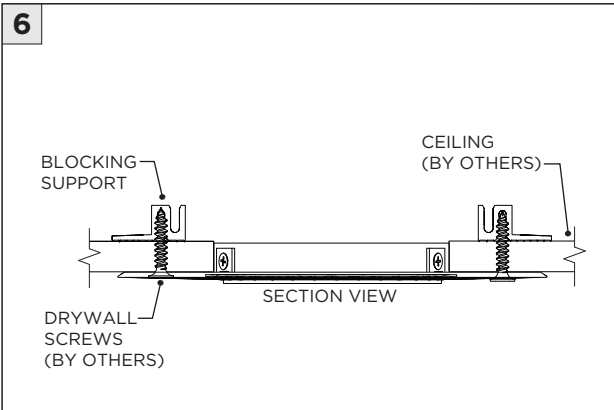


CEILING CUTOUT

DRYWALL SCREWS (BY OTHERS)

SECURE MUDDING FLANGE TO CEILING

6



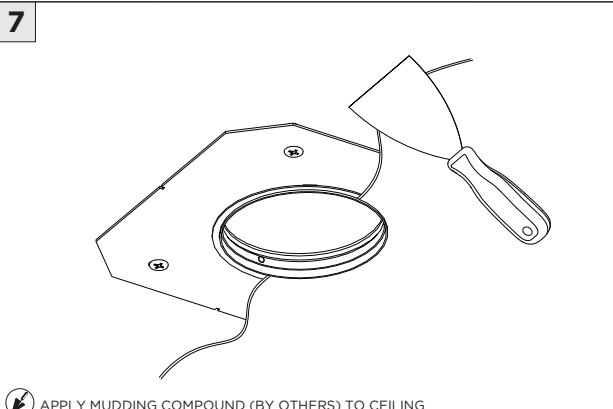
BLOCKING SUPPORT

CEILING (BY OTHERS)

DRYWALL SCREWS (BY OTHERS)

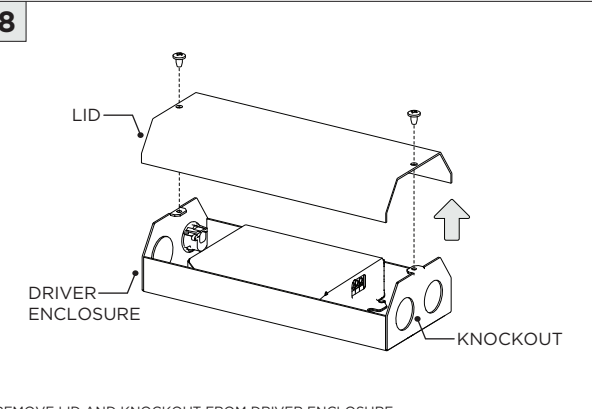
SECTION VIEW

7



APPLY MUDDING COMPOUND (BY OTHERS) TO CEILING

8



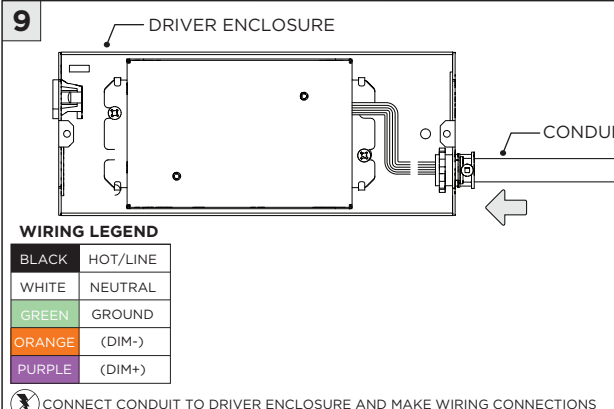
LID

DRIVER ENCLOSURE

KNOCKOUT

REMOVE LID AND KNOCKOUT FROM DRIVER ENCLOSURE

9



DRIVER ENCLOSURE

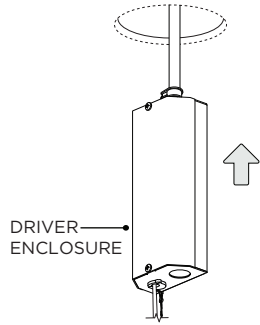
CONDUIT

WIRING LEGEND

BLACK	HOT/LINE
WHITE	NEUTRAL
GREEN	GROUND
ORANGE	(DIM-)
PURPLE	(DIM+)

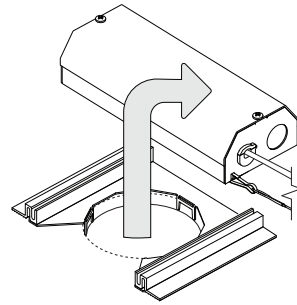
⚠ CONNECT CONDUIT TO DRIVER ENCLOSURE AND MAKE WIRING CONNECTIONS

10



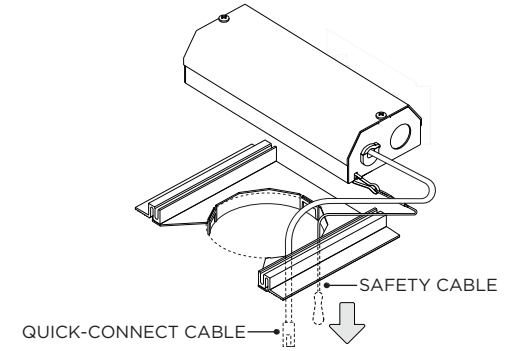
SECURE LID ONTO DRIVER ENCLOSURE AND INSERT INTO CEILING

10A



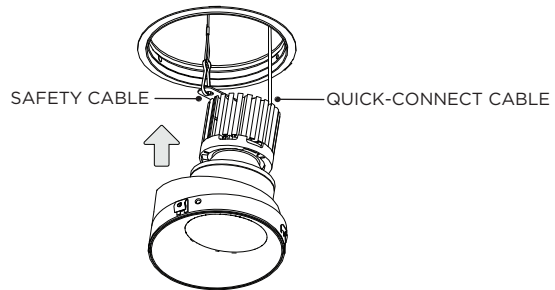
INSERT DRIVER ENCLOSURE THROUGH CUTOUT AND REST ABOVE CEILING

11



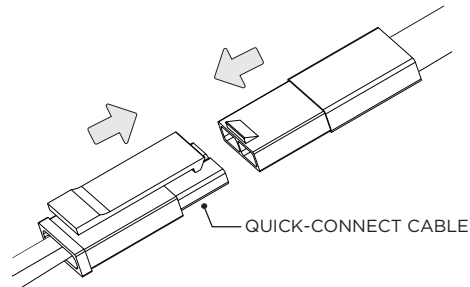
FEED SAFETY CABLE & QUICK-CONNECT CABLE THROUGH CEILING CUTOUT

12



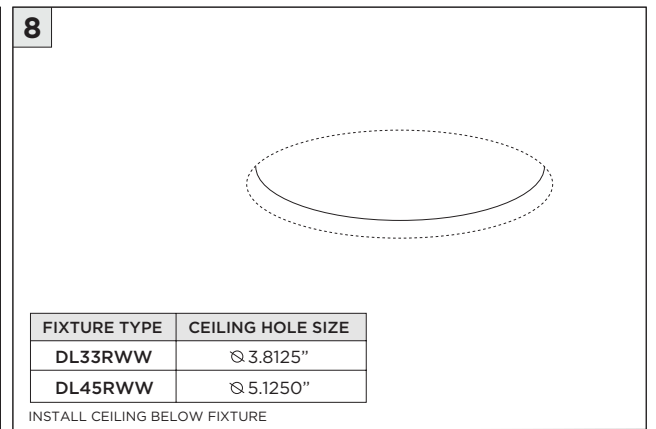
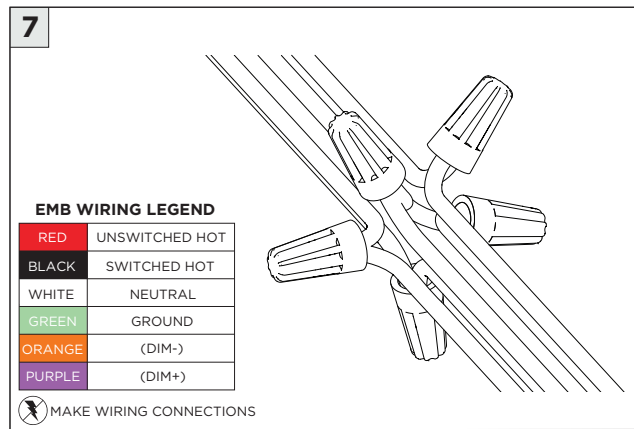
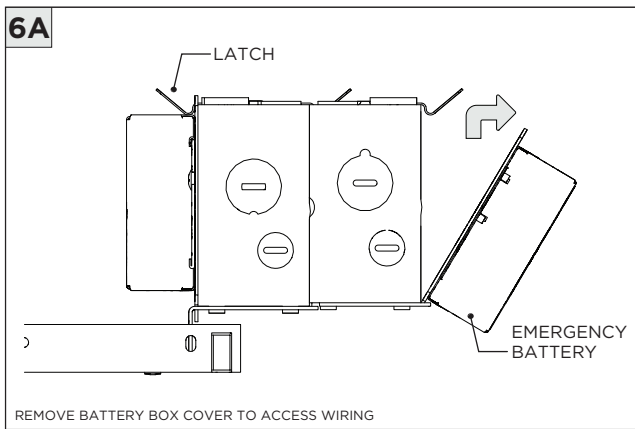
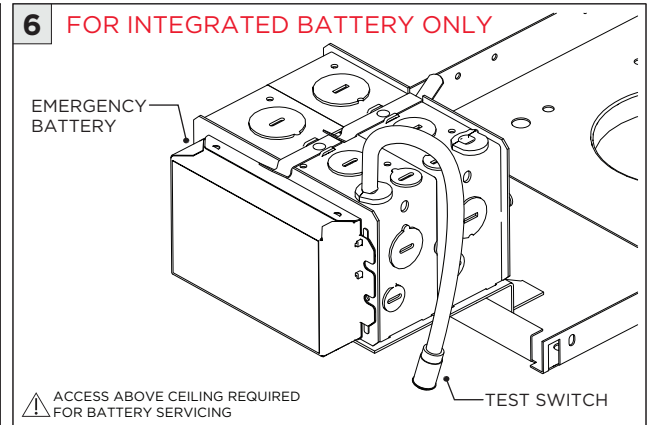
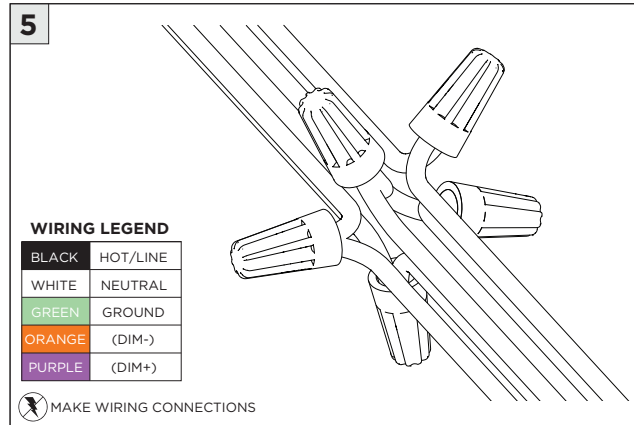
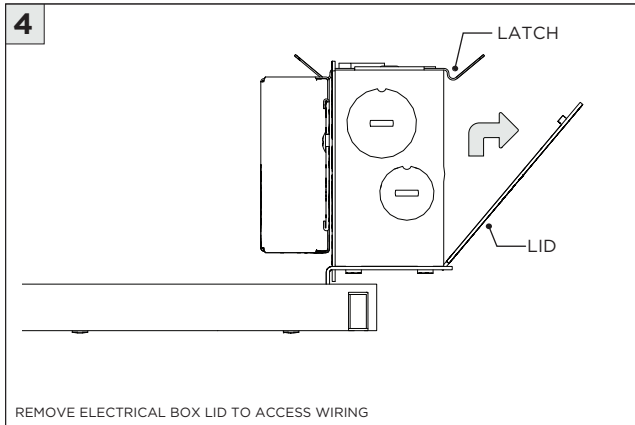
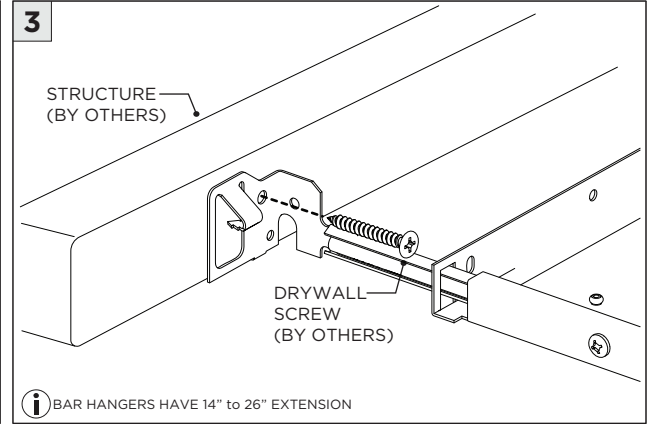
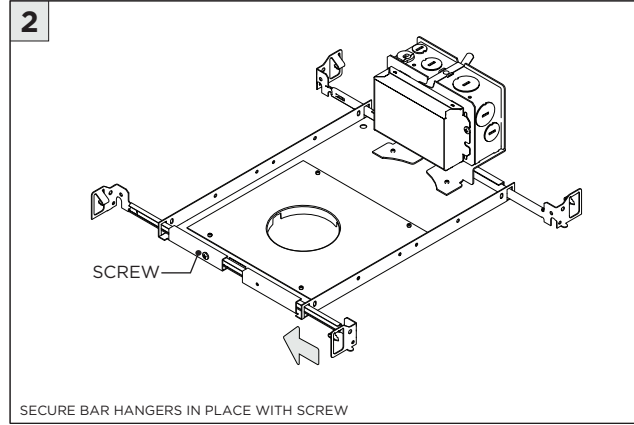
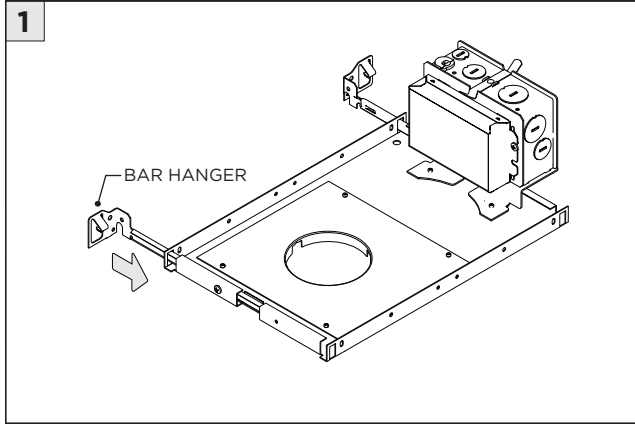
INSERT LED ASSEMBLY INTO CEILING

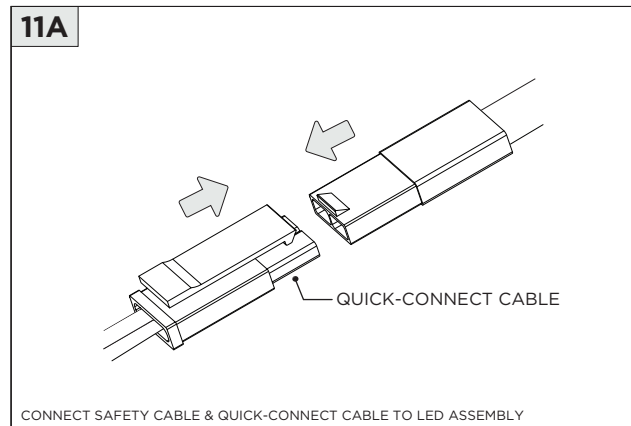
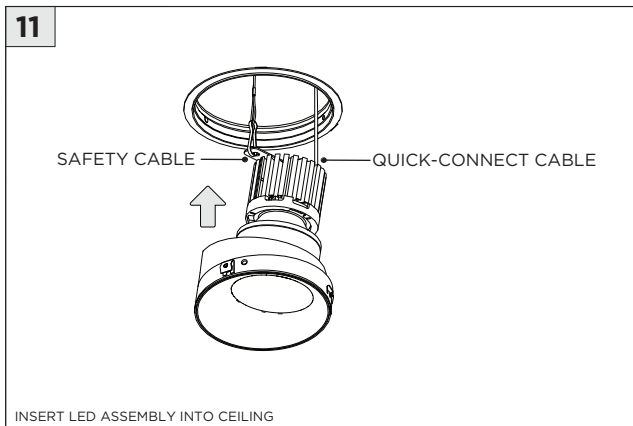
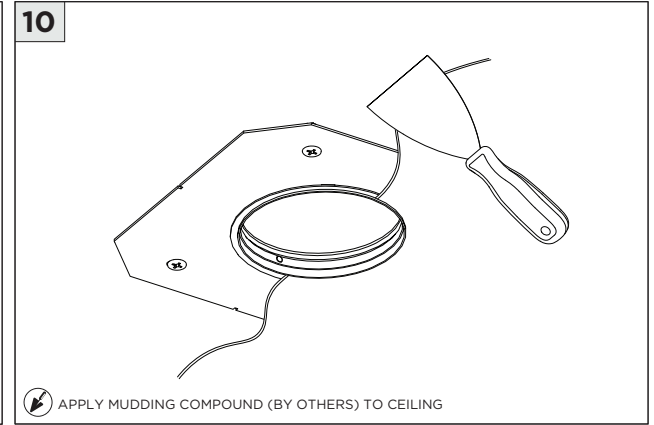
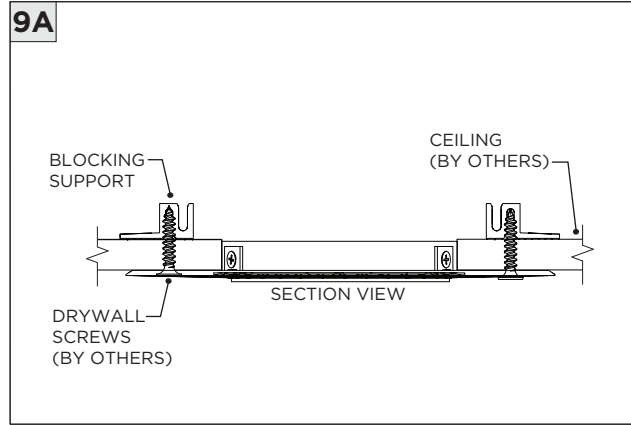
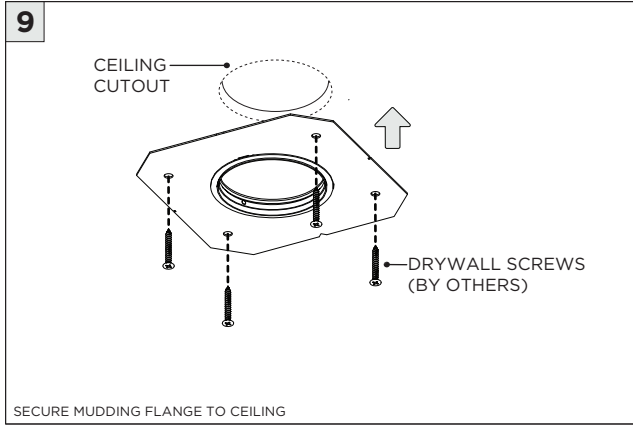
12A



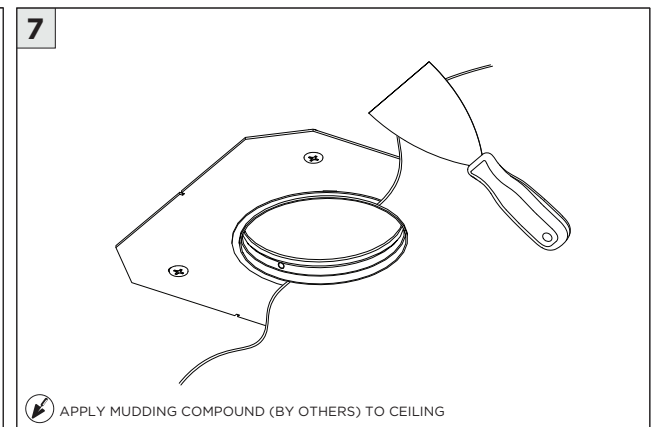
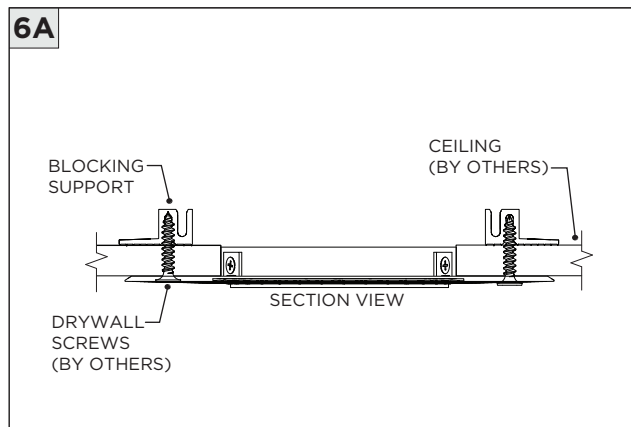
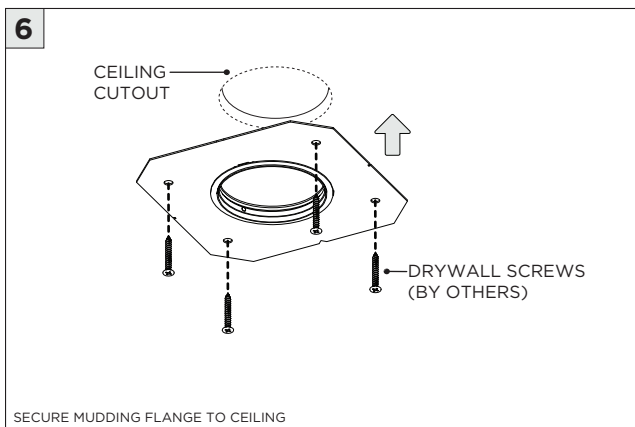
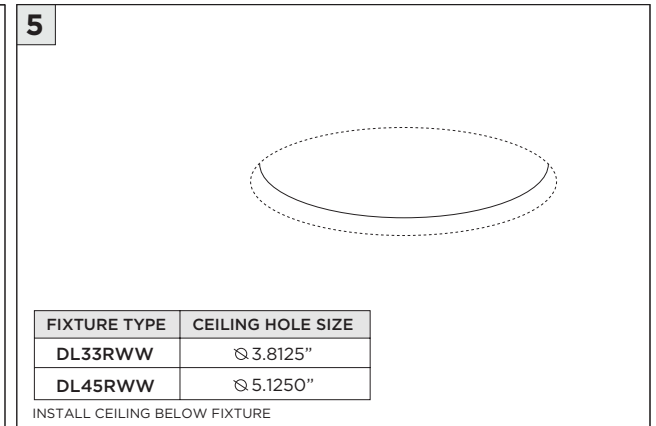
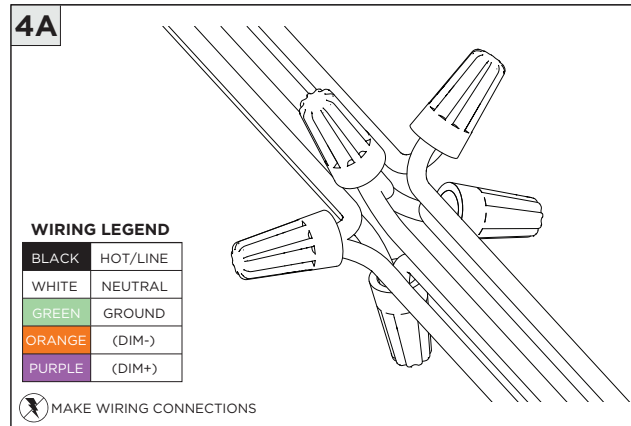
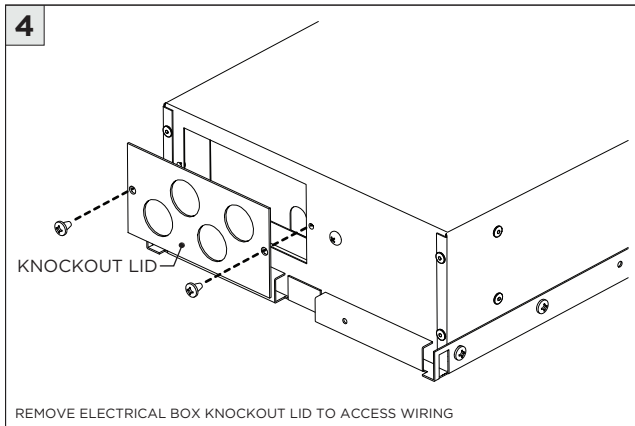
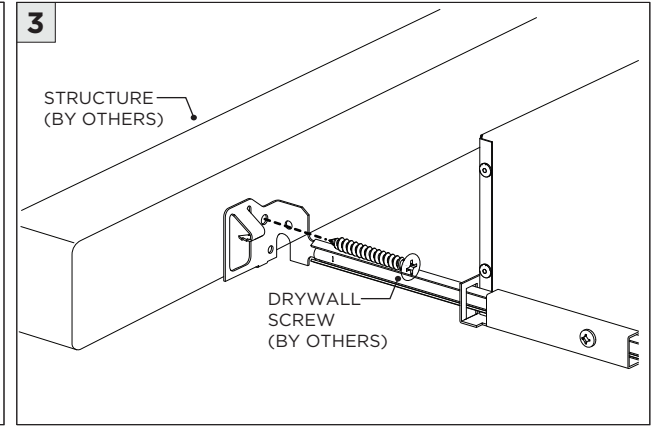
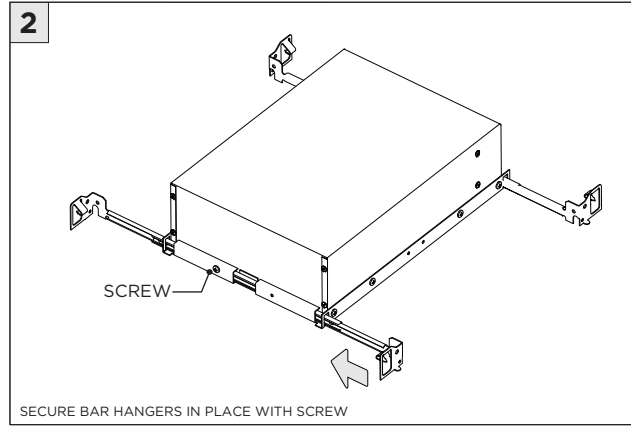
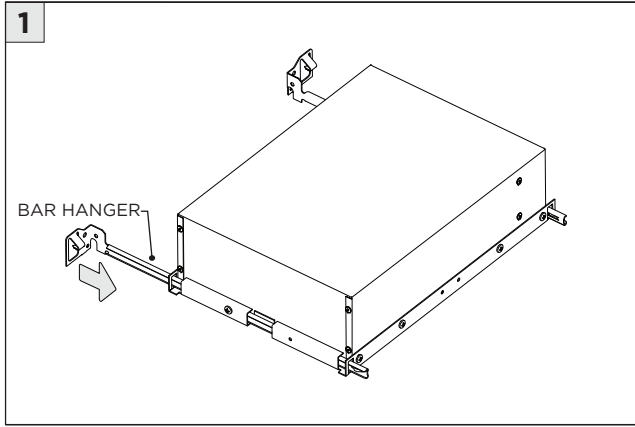
CONNECT SAFETY CABLE & QUICK-CONNECT CABLE TO LED ASSEMBLY

NCF - NEW CONSTRUCTION FRAME (FOR NEW CONSTRUCTION ONLY)

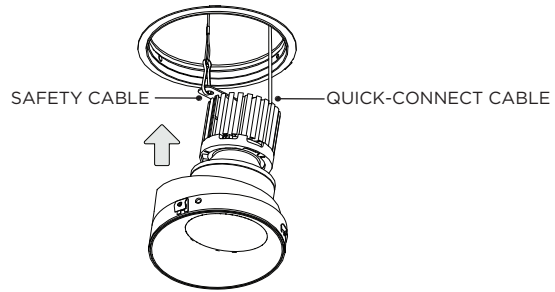




SH - SHALLOW HOUSING (FOR NEW CONSTRUCTION ONLY)

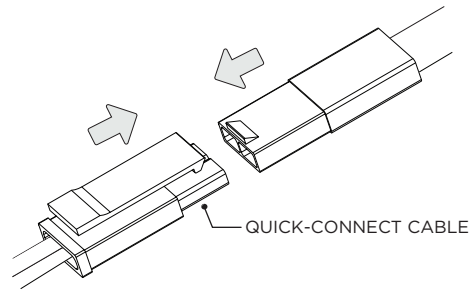


8



INSERT LED ASSEMBLY INTO CEILING

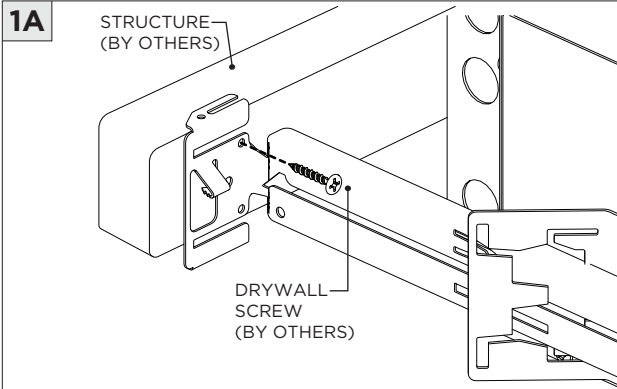
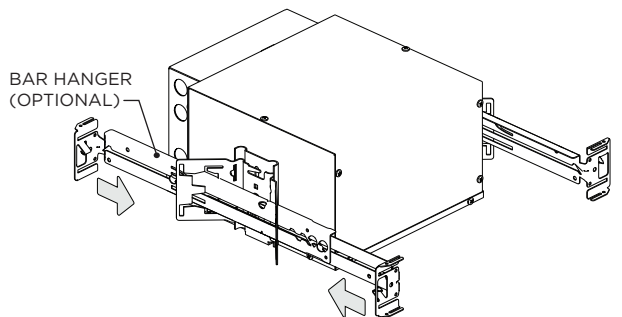
8A



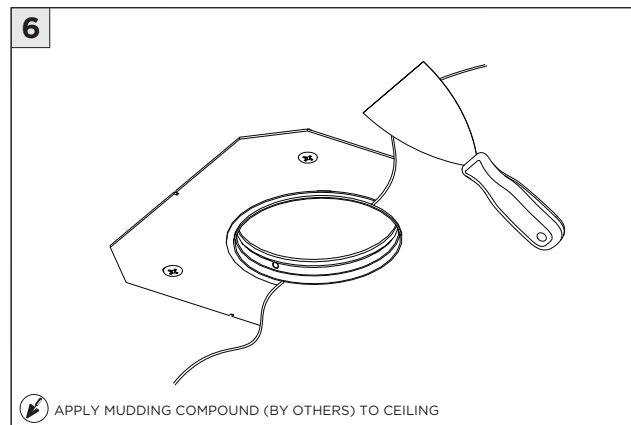
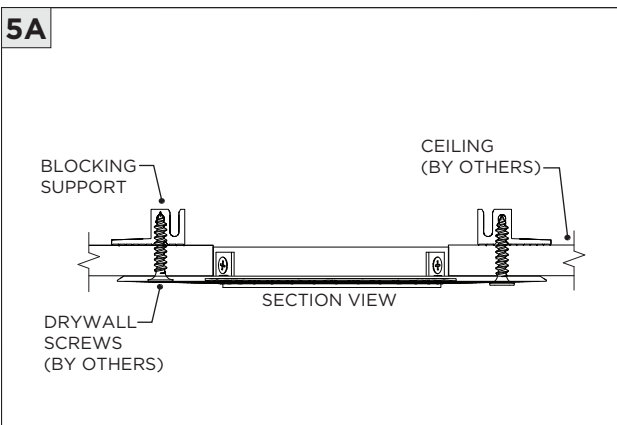
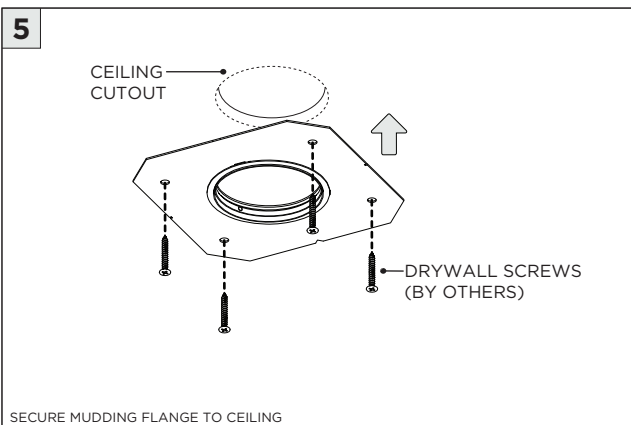
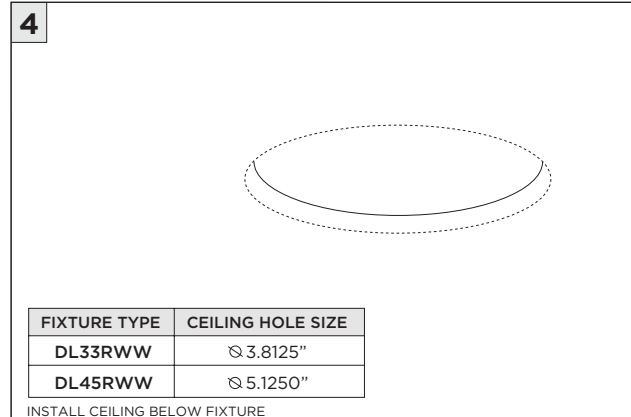
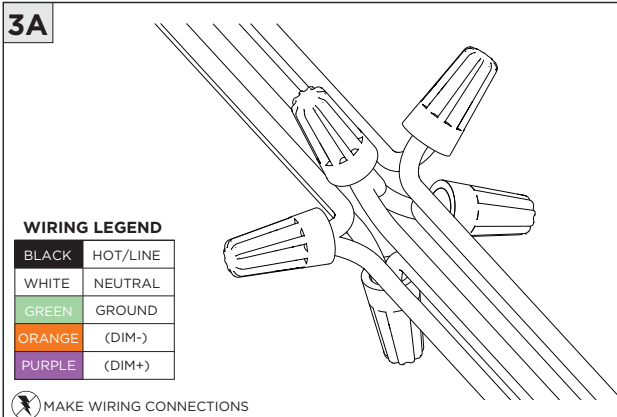
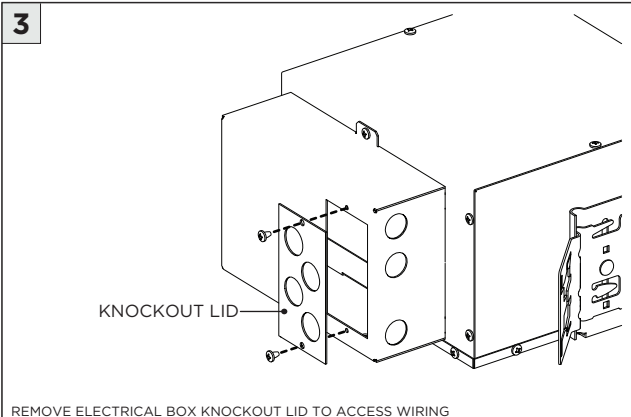
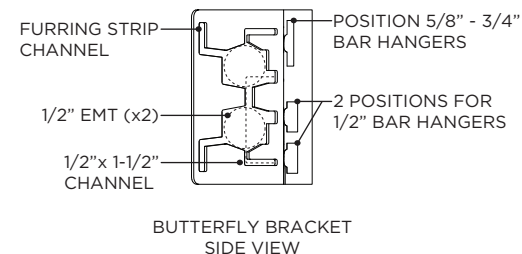
CONNECT SAFETY CABLE & QUICK-CONNECT CABLE TO LED ASSEMBLY

NC/IC - NEW CONSTRUCTION HOUSING (FOR NEW CONSTRUCTION ONLY)

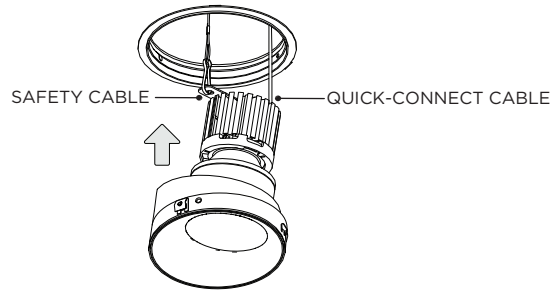
**1 BAR HANGER INSTALLATION
(IF SUPPLIED BY 3G)**



**2 OTHER BAR HANGER INSTALLATION
(NOT PROVIDED BY 3G)**

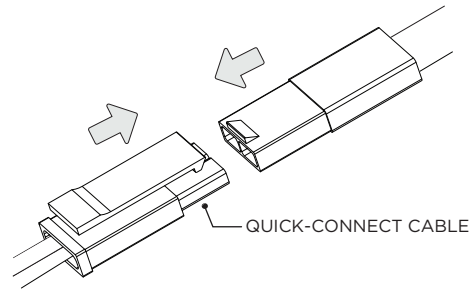


7



INSERT LED ASSEMBLY INTO CEILING

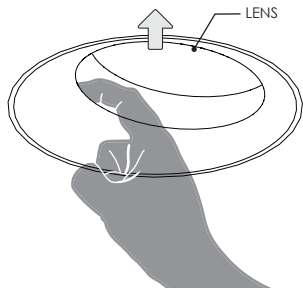
7A



CONNECT SAFETY CABLE & QUICK-CONNECT CABLE TO LED ASSEMBLY

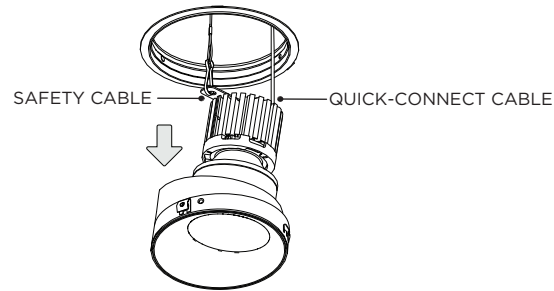
LED SERVICING

1



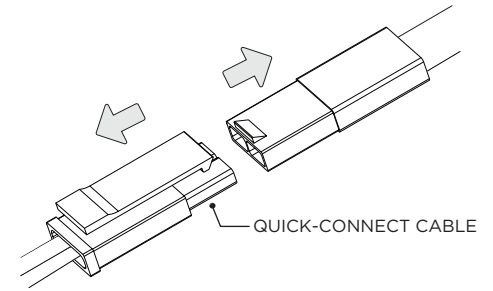
LIFT LENS AND DETATCH LED ASSEMBLY FROM CEILING AS SHOWN

2



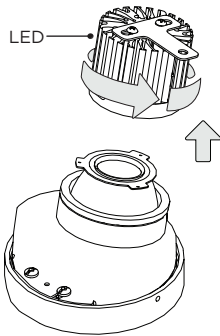
REMOVE LED ASSEMBLY FROM CEILING

2A



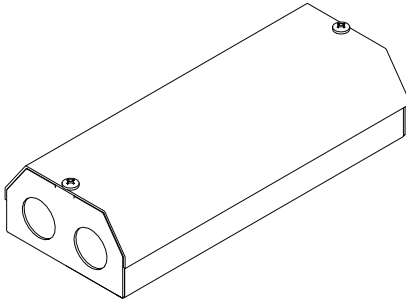
DISCONNECT SAFETY CABLE & QUICK-CONNECT CABLE FROM LED ASSEMBLY

3



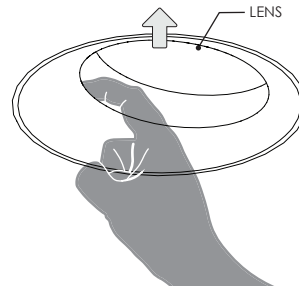
DRIVER SERVICING

1 RMD - REMODEL



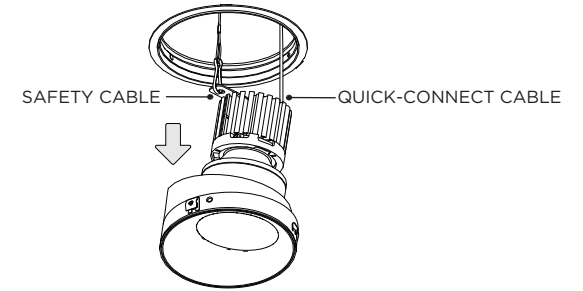
DISCONNECT POWER BEFORE SERVICING

2



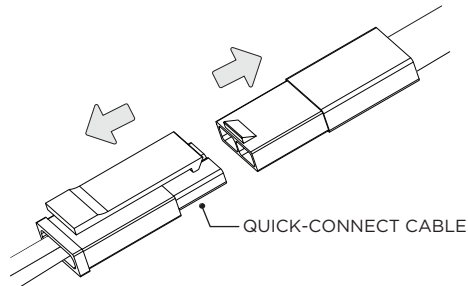
LIFT LENS AND DETATCH LED ASSEMBLY FROM CEILING AS SHOWN

2A



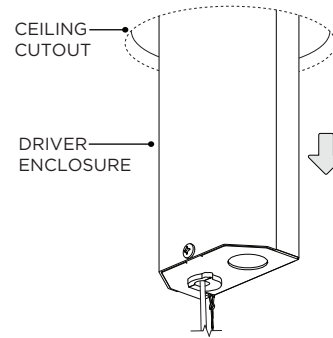
REMOVE LED ASSEMBLY FROM CEILING

2B

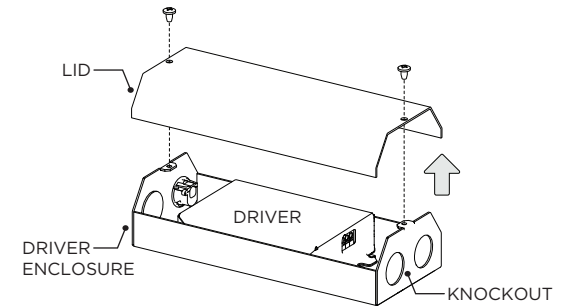


DISCONNECT SAFETY CABLE & QUICK-CONNECT CABLE FROM LED ASSEMBLY

3

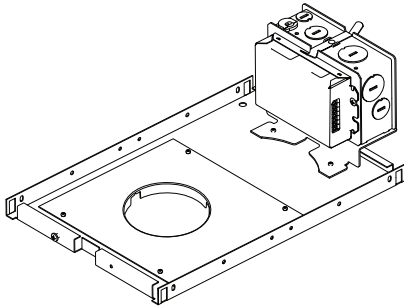


4



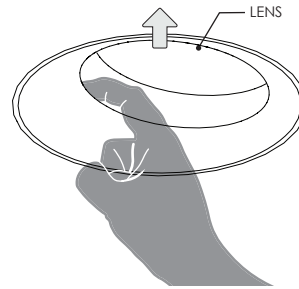
DRIVER SERVICING

1 NCF - NEW CONSTRUCTION FRAME



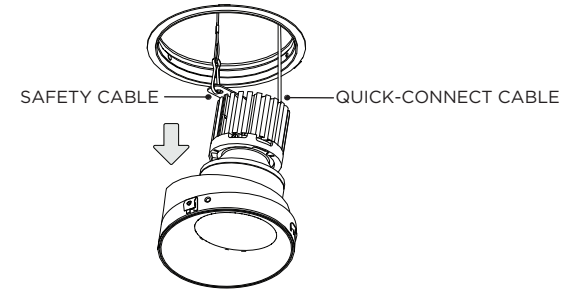
DISCONNECT POWER BEFORE SERVICING

2



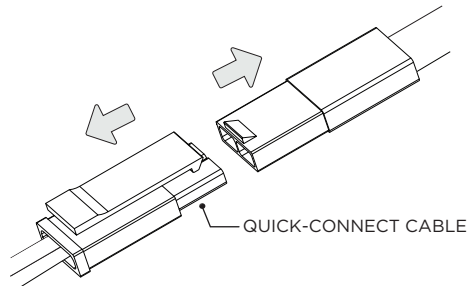
LIFT LENS AND DETACH LED ASSEMBLY FROM CEILING AS SHOWN

2A



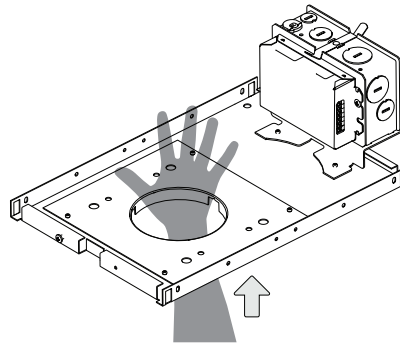
REMOVE LED ASSEMBLY FROM CEILING

2B

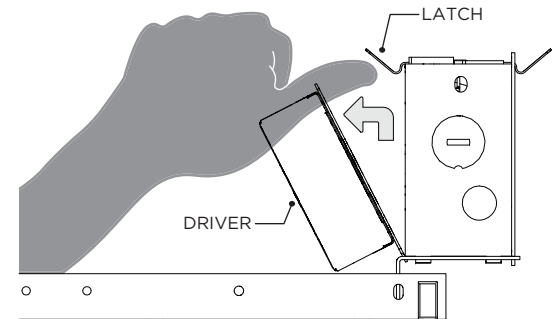


DISCONNECT SAFETY CABLE & QUICK-CONNECT CABLE FROM LED ASSEMBLY

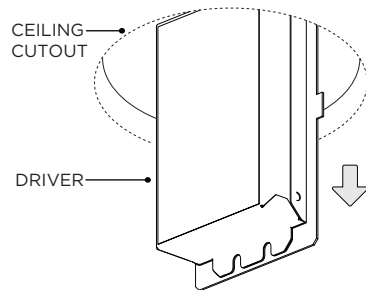
3



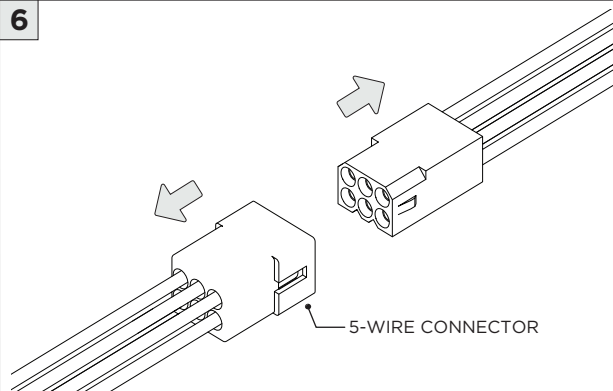
4



5



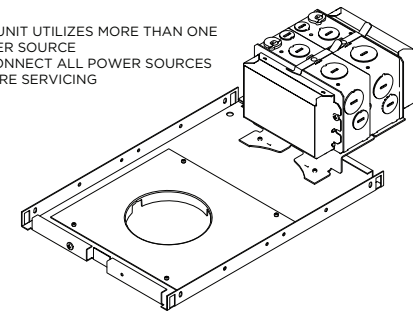
6



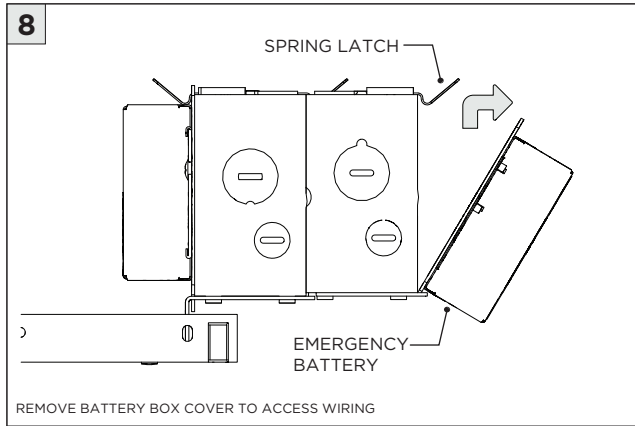
DISCONNECT 5-WIRE CONNECTOR

**7 NCF - NEW CONSTRUCTION FRAME
FOR INTEGRATED BATTERY ONLY**

THIS UNIT UTILIZES MORE THAN ONE
POWER SOURCE
DISCONNECT ALL POWER SOURCES
BEFORE SERVICING

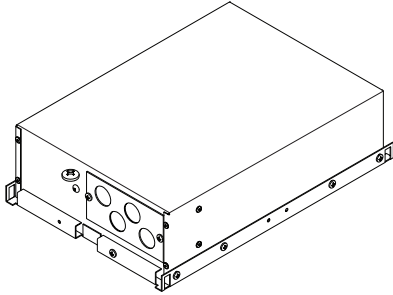


ACCESS ABOVE CEILING REQUIRED FOR DRIVER SERVICING



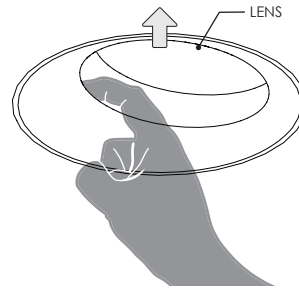
DRIVER SERVICING

1 SH - SHALLOW HOUSING



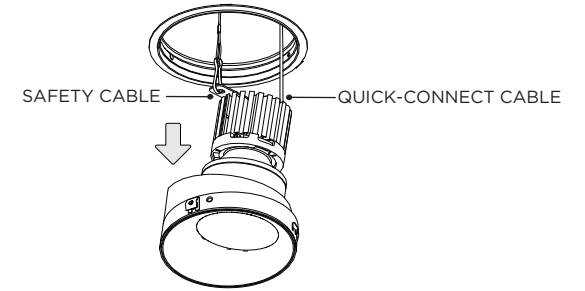
DISCONNECT POWER BEFORE SERVICING

2



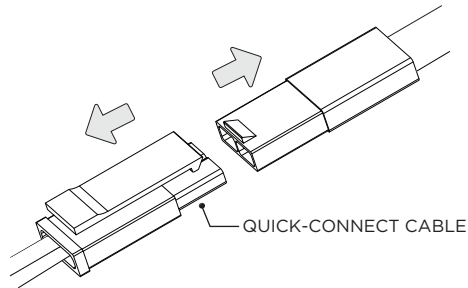
LIFT LENS AND DETATCH LED ASSEMBLY FROM CEILING AS SHOWN

2A



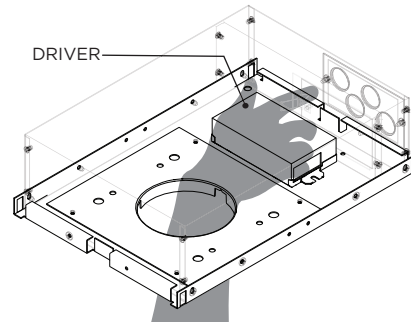
REMOVE LED ASSEMBLY FROM CEILING

2B



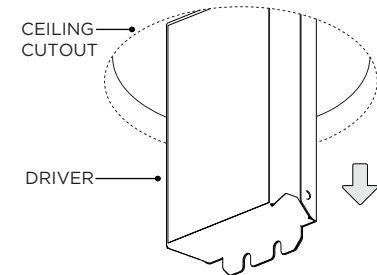
DISCONNECT SAFETY CABLE & QUICK-CONNECT CABLE FROM LED ASSEMBLY

3

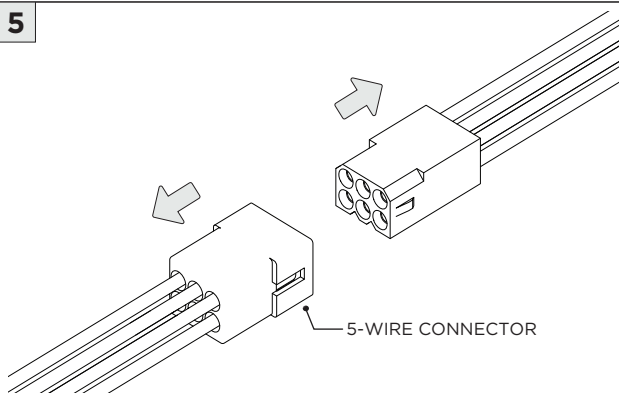


REMOVE DRIVER - SECURED WITH HOOK-AND-LOOP FASTENER

4



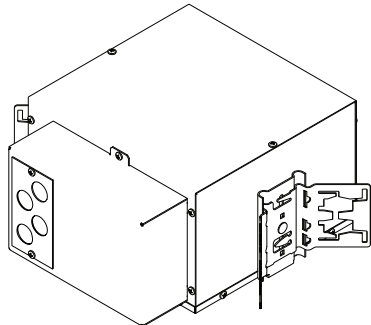
5



DISCONNECT 5-WIRE CONNECTOR

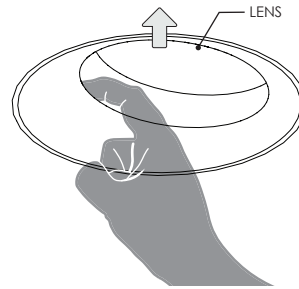
DRIVER SERVICING

1 NC/IC - NEW CONSTRUCTION HOUSING



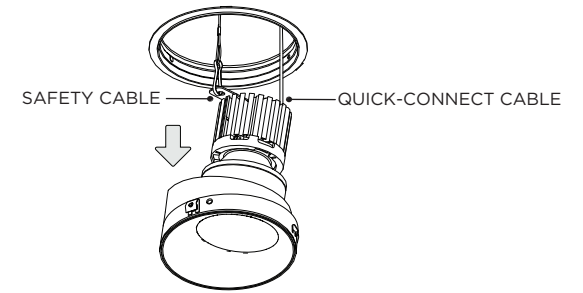
DISCONNECT POWER BEFORE SERVICING

2



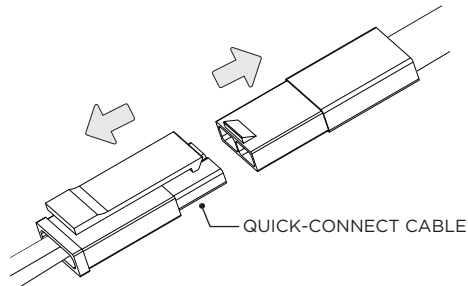
LIFT LENS AND DETACH LED ASSEMBLY FROM CEILING AS SHOWN

2A



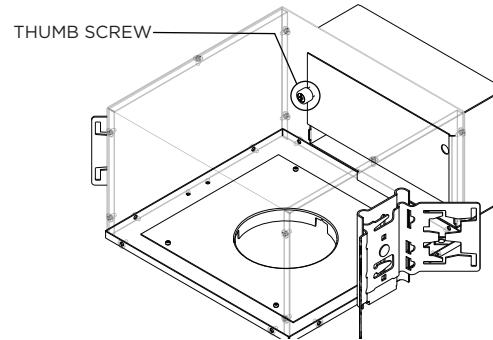
REMOVE LED ASSEMBLY FROM CEILING

2B

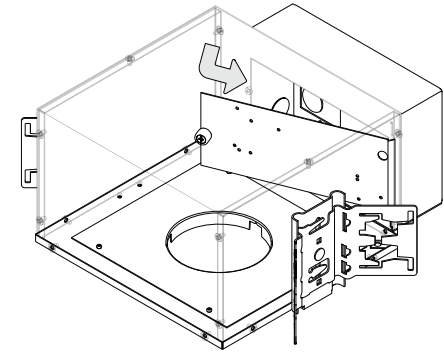


DISCONNECT SAFETY CABLE & QUICK-CONNECT CABLE FROM LED ASSEMBLY

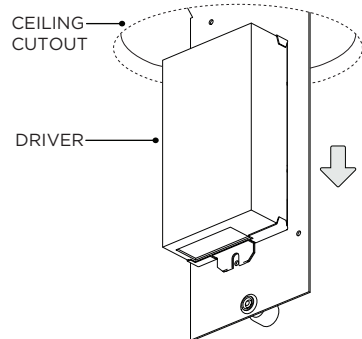
3



4



5



6

