



3G-4RLI-WC

3.5" RECESSED LINIA
WALL TO CEILING



- 3.5" aperture with one piece extruded aluminum housing
- Seamless wall to ceiling illumination
- Proprietary alignment mechanism
- Suitable for drywall, wood, and grid ceiling applications
- Extruded acrylic lens available in flush, 1" and 2" drop lens options
- 1% dimming standard with several driver options

ORDERING INFORMATION

PROJECT:	<input type="text"/>	TYPE:	<input type="text"/>
CATALOG #:	<input type="text"/>	DATE:	<input type="text"/>

CAT. NO	LUMEN OUTPUT	CRI	COLOR TEMP	VOLTAGE
3G-4RLI-WC	L250 - LOW OUTPUT (250 LM/FT) ¹	S80 - 83+ CRI	27K - 2700K	UNV - 120/277V 347 - 347V (0-10V ONLY)
	L500 - MEDIUM OUTPUT (500 LM/FT)	H90 - 93+ CRI	30K - 3000K	
	L750 - HIGH OUTPUT (750 LM/FT)		35K - 3500K	
	L1000 - VERY HIGH OUTPUT (1000 LM/FT) ²		40K - 4000K	
	LC___ - CUSTOM OUTPUT (SPECIFY LM/FT)*			
*Specify custom lumen outputs in 50lm increments (ie: LC600, LC650, LC700) Custom output cannot exceed LC1000				

DRIVER	FLANGE TYPE (WALL)	FLANGE TYPE (CEILING)	LENS OPTION
DIM - 0-10V (STANDARD 100-1%)	WXTR - TRIMLESS	CXTR - TRIMLESS	FL - FLUSH
DHL2 - LUTRON HI-LUME LDE1 (100-1% ECOSYSTEM)	WFX - FLANGELESS	CFX - FLANGELESS	DD1 - 1" DROP LENS
DALI - DALI (eldoLED, 100-1%) ³		GCX - GRID CEILING UNIVERSAL MOUNT*	DD2 - 2" DROP LENS
DO1 - 0-10V (eldoLED, 100-0.1%)			
*Grid ceiling fixtures ship with universal mounting brackets suitable for all ceiling types See mounting section for details.			

OPTIONS	LENGTH (FEET)
EMB - INTEGRAL EMERGENCY BATTERY (MIN 4' SECTION)	W ___' x C ___' (WALL TO CEILING)*
EMC - EMERGENCY CIRCUIT	W ___' x C ___' x W ___' (WALL TO CEILING TO WALL)
CP - CHICAGO PLENUM	
*Available in 1' increments	

¹ L250 (250LM/FT) not available in 2' and 3' lengths (Please specify LC400 for 2' and 3' fixture length when outputs lower than 500LM/FT are required)
² L1000 (1000LM/FT) not available for H90 (93+ CRI)
³ DALI-2 (Type 6) provided as standard. Please consult factory for DALI (Type 8) options

OCTOBER 14, 2020





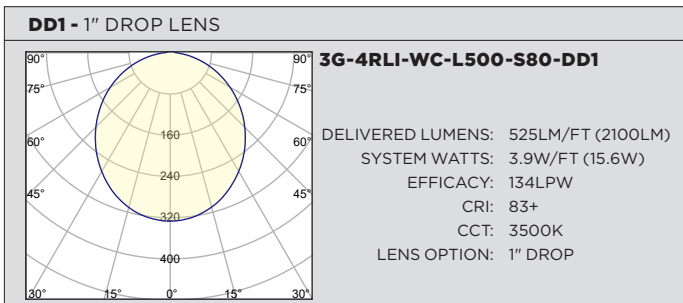
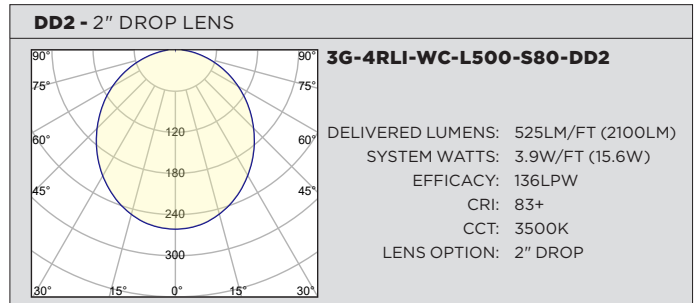
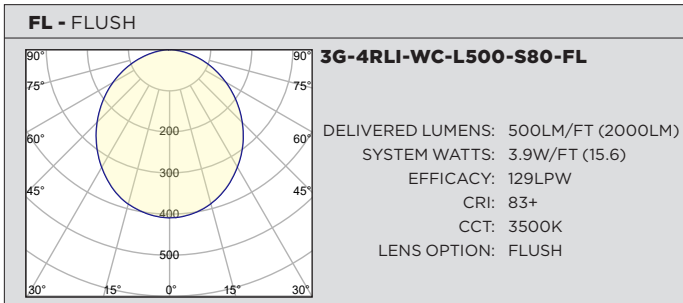
3G-4RLI-WC

LIGHTING 3.5" RECESSED LINEAR - WALL TO CEILING

PERFORMANCE CHART BASED ON 4' LENGTH (83+ CRI AND 3500K SOURCE)

LENS OPTION	DELIVERED LUMENS (LM/FT)	SYSTEM WATTS (W/FT)	EFFICACY (LPW)
FLUSH	250	1.9	129
	500	3.9	129
	750	6.0	127
	1000	8.1	123
1" DROP LENS	250	1.9	133
	525	3.9	134
	775	6.0	132
	1025	8.1	128
2" DROP LENS	275	1.9	136
	525	3.9	136
	800	6.0	134
	1050	8.1	129
LUMEN OUTPUT ADJUSTMENT FACTORS	CCT	Multiplier	
	2700K	0.94	
	3000K	0.97	
	3500K	1.00	
EFFICACY (LPW) ADJUSTMENT FACTOR	CRI	Multiplier	
	93+	0.88	

PHOTOMETRY BASED ON 4' LENGTH (83+ CRI AND 3500K SOURCE)





3G-4RLI-WC

3.5" RECESSED LINEAR - WALL TO CEILING

TECHNICAL

HOUSING

Extruded aluminum housing with 3.5" aperture
Individual units and continuous runs available in 1' increments. Contact 3G for 1" increments
Trim flange with matte white powder coated finish and minimal 0.400" overlap
Trimless model features a satin coat mudding flange for seamless ceiling integration
24-gauge LED reflector with high reflectance white powder coated finish
Standard polyester powder coated matte white finish

OPTICS

Extruded, satin acrylic lens designed for optimal performance and glare control. Up to 8' continuous

ELECTRICAL

Luminaires are pre-wired with factory installed quick connects and branch circuit wiring
Standard 0-10V, constant current drivers with 100-1% dimming range and >0.9 power factor
Standard 120/277V universal voltage drivers. Optional 347V, 0-10V drivers
Lutron EcoSystem and eldoLED DALI options available with 100-1% dimming range
All drivers are integral and easily accessible through luminaire aperture
Minimum 4' and maximum 6' length for each integral emergency battery. 10W output for 90 minutes

LED SYSTEM

Proprietary LED system with color consistency <3 SDCM
Available in 27K, 30K, 35K, and 40K
Standard 83+CRI. Optional 93+CRI
R9 value of 56 for 93+CRI
L90 >60,000 hours
5 Year Warranty

MOUNTING

Housing suspended via 1/4" threaded rod or suspension cables
Trimless fixture designed for use in drywall, mud-in ceiling applications
Flangeless fixture designed for use in wood ceilings

LISTING

ETL listed and tested to cUL standards. Suitable for dry and damp locations

WARRANTY

5 Year Warranty on LED and drivers
Manufacturer 1 Year Warranty for defects in material and workmanship under normal use
Ambient temperature at fixture should not exceed 25°C



3G-4RLI-WC

LIGHTING 3.5" RECESSED LINEAR - WALL TO CEILING

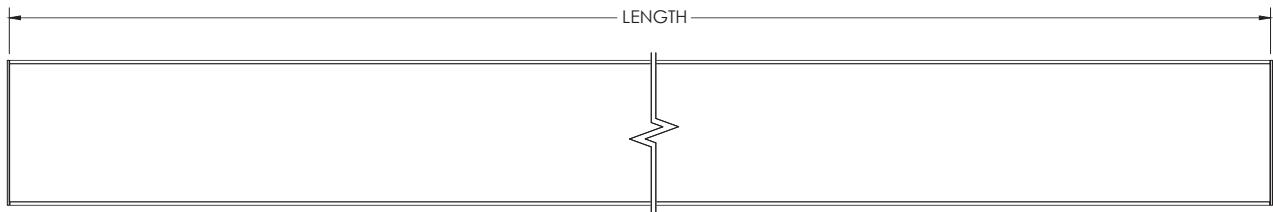
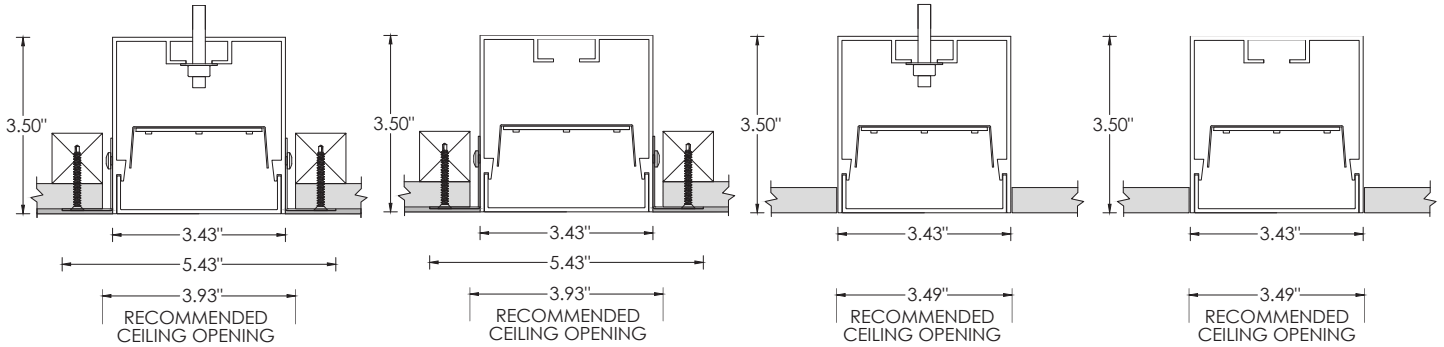
DRAWINGS AND DIMENSIONS HARD CEILING

CXTR - TRIMLESS CEILING

WXTR - TRIMLESS WALL

CFX - FLANGELESS CEILING

WFX - FLANGELESS WALL

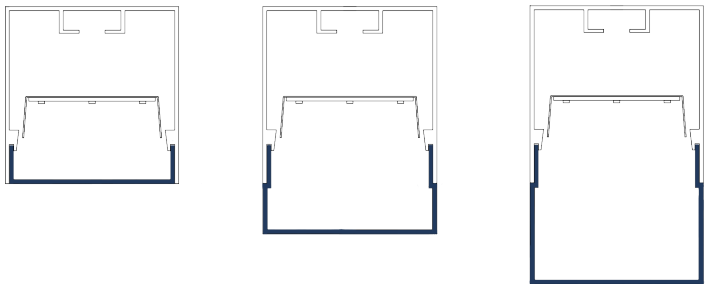


LENS OPTION

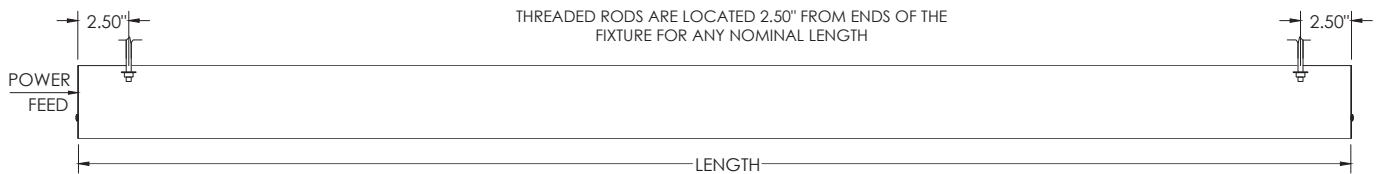
FL - FLUSH

DD1 - 1" DROP

DD2 - 2" DROP



MOUNTING DETAILS HARD CEILING



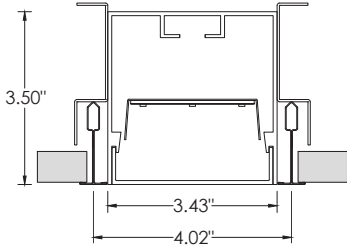


3G-4RLI-WC

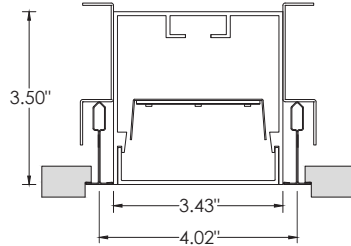
LIGHTING 3.5" RECESSED LINEAR - WALL TO CEILING

DRAWINGS AND DIMENSIONS GRID CEILING

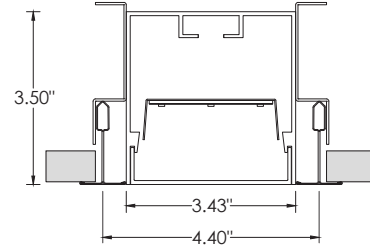
9L - 9/16" LAYIN



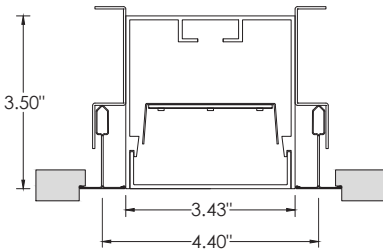
9TG - 9/16" TEGULAR



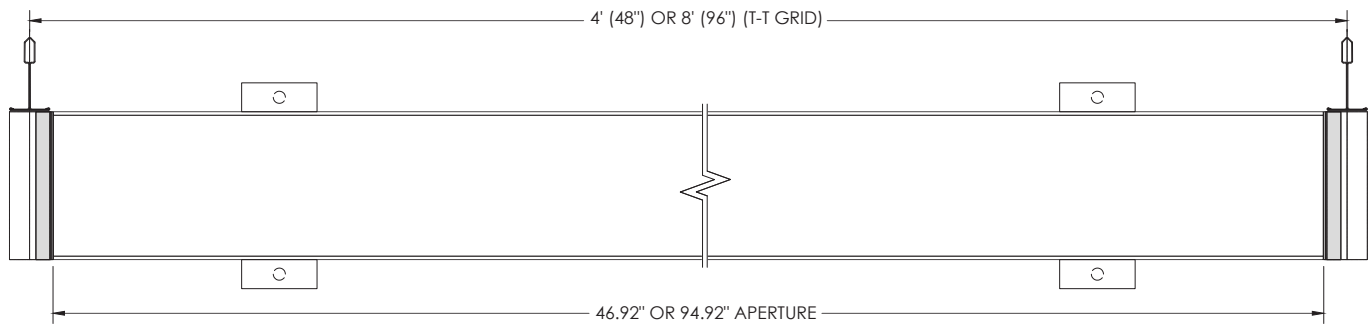
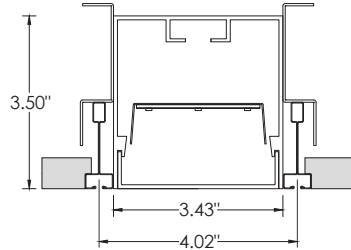
15L - 15/16" LAYIN



15TG - 15/16" TEGULAR



9ST - 9/16" SLOT TEE TEGULAR



MOUNTING DETAILS GRID CEILING

