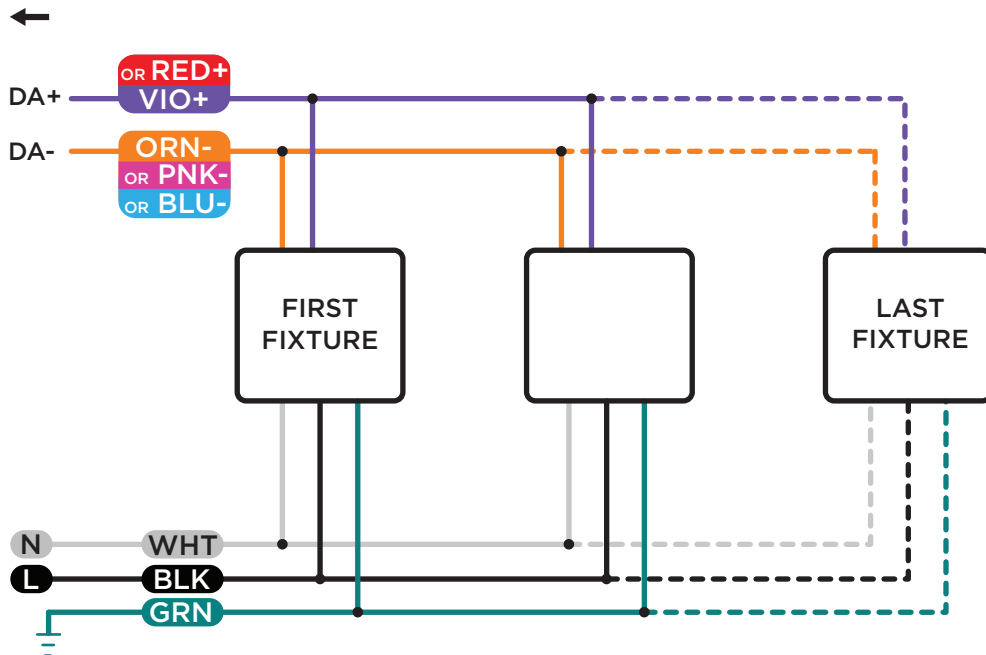
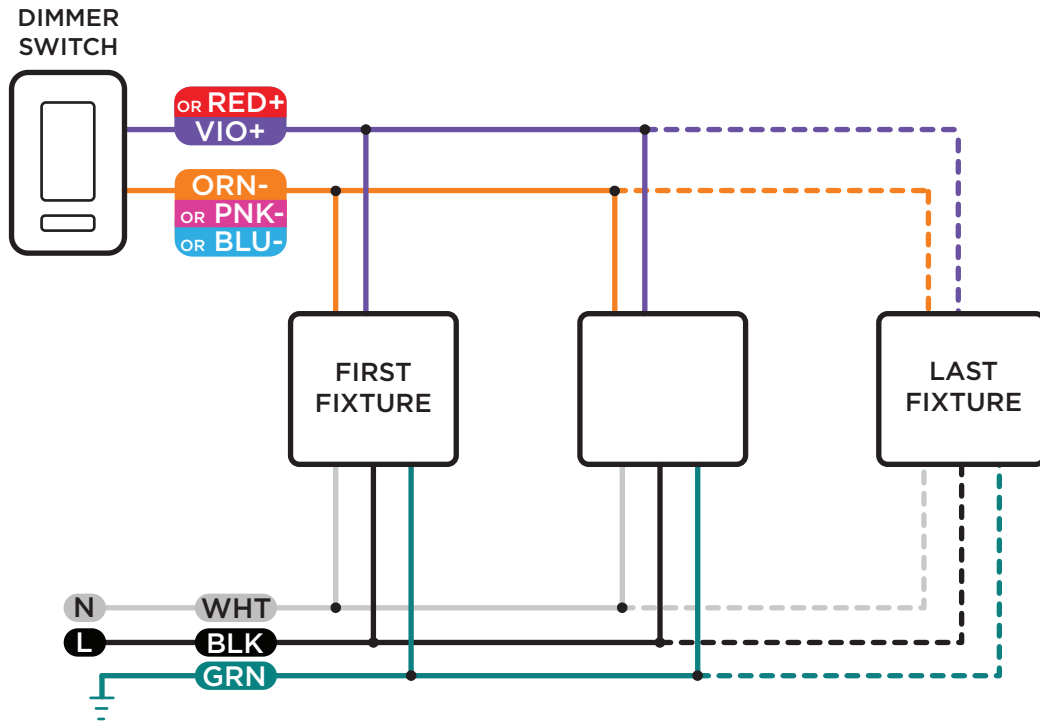


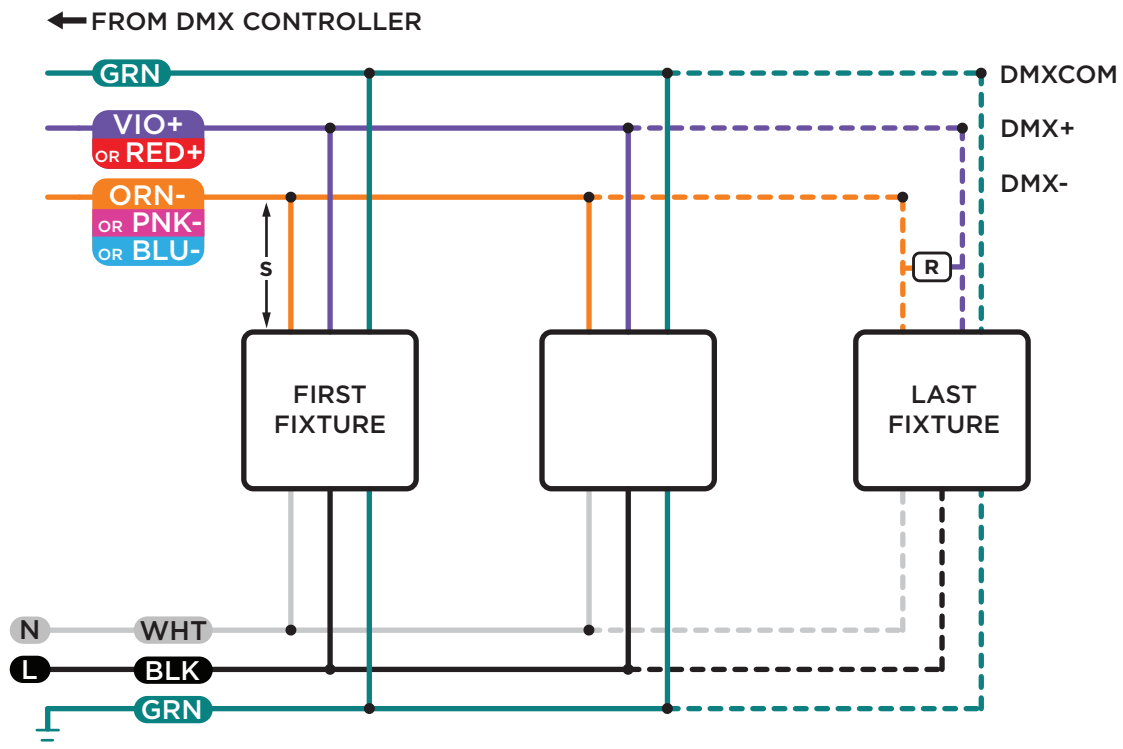
DIMMING WIRING DIAGRAM - DALI





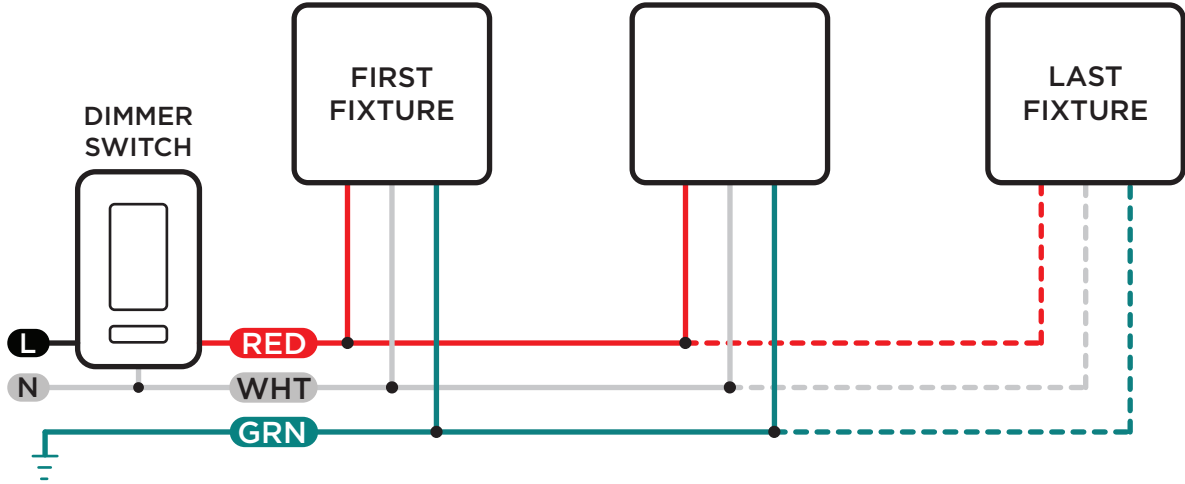
NOTES: Stub Length - S
Cannot exceed 300mm

Termination Resistors - R
Typically 120 Ohms



NOTES: SWITCHED HOT WIRE - RED WIRE

DIMMING WIRING DIAGRAM - LE
120V REVERSE PHASE DIMMING



NOTES: SWITCHED HOT WIRE - RED WIRE

DIMMING WIRING DIAGRAM - LE
120V FORWARD PHASE DIMMING

