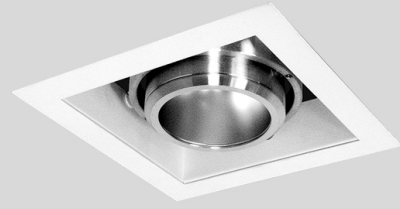


3G LIGHTING

3G-RC1M5

1 LIGHT MINI MADISON
TRIM & TRIMLESS

New construction, shallow housing, and IC housing options available
Trim fixture designed to conceal internal hardware
Trimless fixture features a proprietary aluminum mudding flange
Machined aluminum double gimbal. Adjustable and lockable
1.95" Regressed LED source for enhanced glare control
Lumen range up to 2200lm (80+, 90+, and 97+ CRI options)
1% dimming standard with several integral driver options



ORDERING INFORMATION

PROJECT:	<input type="text"/>	TYPE:	<input type="text"/>
CATALOG #:	<input type="text"/>	DATE:	<input type="text"/>

CAT. NO	LUMEN OUTPUT	CRI	COLOR TEMP	BEAM ANGLE	VOLTAGE
3G-RC1M5	10 - 1000 LUMENS	S80 - 80+ CRI	27K - 2700K	20D - 20°	UNV - 120/277V 120V - 120V 347 - 347V (0-10V ONLY)
	15 - 1500 LUMENS	H90 - 90+ CRI	30K - 3000K	40D - 40°	
	22 - 2200 LUMENS	H97 - 97+ CRI ¹	35K - 3500K	60D - 60°	
			40K - 4000K	90D - 90° *	

* 90D reflector supplied standard with lens

DRIVER	FLANGE TYPE	GIMBAL FINISH	HOUSING INTERIOR
DIM - 0-10V (STANDARD 100-1%) LE - PHASE DIMMING ² (TRIAC/ELV, 100-1%) LTEA - LUTRON HI-LUME LTEA ² (FWD PHASE, 100-1%) DO1 - 0-10V (eidoLED, 100-0.1%) DALI - DALI (eidoLED, 100-1%) ³ DHL2 - LUTRON HI-LUME LDE1 (1% ECOSYSTEM) DMX - DMX (eidoLED, 100-0%)	WT - WHITE (STANDARD) ST - SILVER BT - BLACK CT - CUSTOM XTR - TRIMLESS	NG - NATURAL ALUMINUM BG - BLACK WG - WHITE	BK - BLACK (STANDARD) WH - WHITE CF - CUSTOM

HOUSING TYPE	OPTIONS
NC - NEW CONSTRUCTION (NON-IC) IC - IC HOUSING SH - SHALLOW HOUSING (IC RATED - BLACK ONLY)	BH - C-CHANNEL BAR HANGERS CP - CHICAGO PLENUM EMR - EMERGENCY BATTERY (REMOTE) ⁴ HXB50 - BLACK HEXCELL LOUVER LS50 - LINEAR SPREAD LENS PM50 - PRISMATIC LENS SF50 - SOFTENING LENS

Maximum 2 optical accessories. See optical accessories page for more options

¹ 97+ CRI available in 30K and 35K as standard

² Phase dimming options available in 120V only

³ DALI-2 (Type 6) provided as standard. Please consult factory for DALI (Type 8) options

⁴ Emergency battery installed remotely by others. Not accessible through the inside of the fixture

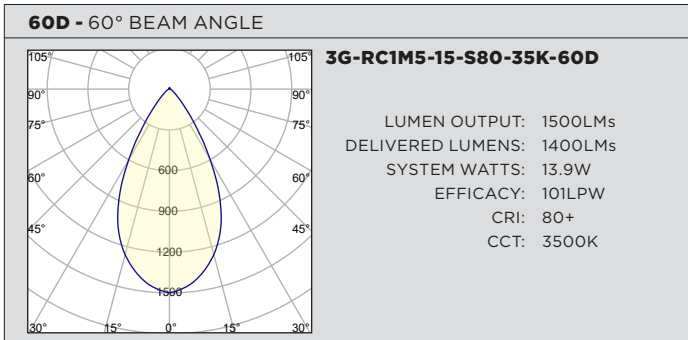
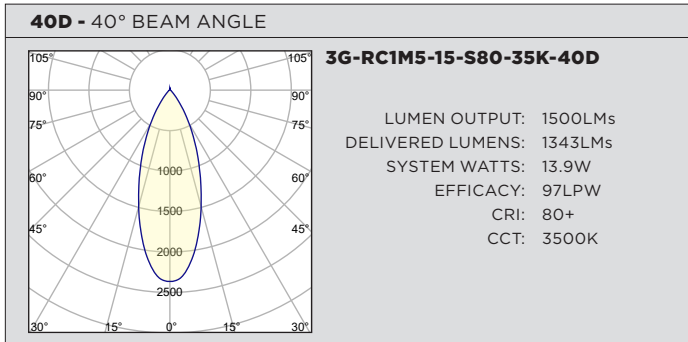
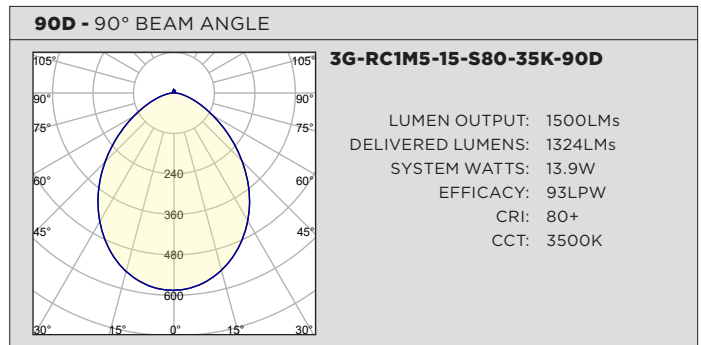
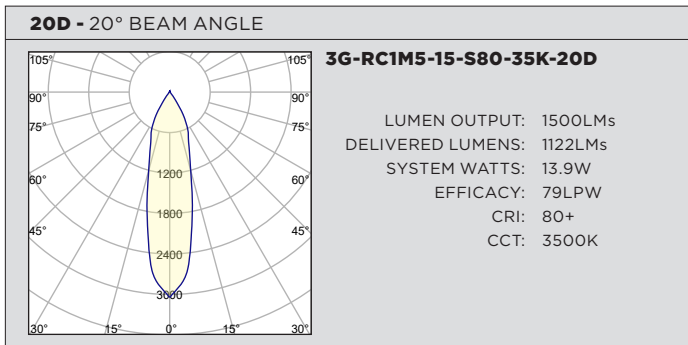
SEPTEMBER 15, 2020

PERFORMANCE CHART BASED ON 60° BEAM ANGLE AND 3500K SOURCE

LUMEN OUTPUT	80+ CRI			90+ CRI			97+ CRI		
	DELIVERED LUMENS	SYSTEM WATTS	EFFICACY (LPW)	DELIVERED LUMENS	SYSTEM WATTS	EFFICACY (LPW)	DELIVERED LUMENS	SYSTEM WATTS	EFFICACY (LPW)
1000LMs	1015	10.2	100	893	10.2	88	833	10.0	82
1500LMs	1400	13.9	101	1232	13.9	89	1148	13.9	83
2200LMs	2194	22.0	100	1931	22.0	88	1799	22.0	82

LUMEN OUTPUT ADJUSTMENT FACTORS	CCT	Multiplier
	2700K	0.94
	3000K	0.97
	3500K	1.00
	4000K	1.01

PHOTOMETRY



TECHNICAL**HOUSING**

New construction, shallow housing and IC housing options available
Housing fabricated in cold rolled steel. Standard black powder coated finish
Maximum ceiling thickness of 1". Consult factory for modifications
All housing options designed to be easily converted in field to trim or trimless with minimal components
Housings are rated for #12 AWG, (4 in, 4 out), 90°C conductors and through branch wiring

TRIM

Features a 3/4" removable trim assembly designed to conceal inner hardware

TRIMLESS

Aluminum mudding flange features a unique reveal that emulates drywall
Integral aluminum blocking support provided to ensure fixture is properly secured within ceiling structure

ADJUSTABILITY

Solid aluminum 50mm double gimbal with dual axis adjustability
Each double gimbal can be locked in place

OPTICS

Regressed LED source for enhanced glare control
Proprietary anodized, aluminum reflectors are field replaceable (20° reflector not interchangeable)
Available in 20°, 40°, 60°, and 90°

ELECTRICAL

Standard 0-10V, constant current drivers with 100-1% dimming range and >0.9 power factor
Standard 120/277V universal voltage drivers. Optional 347V, 0-10V drivers
120V Forward Phase/Reverse Phase driver option with 100-1% dimming range
eldoLED 0-10V driver option available with 100-0.01% dimming range
eldoLED DALI and Lutron EcoSystem driver options available with 100-1% dimming range
DMX driver option available with 100-0% dimming range
All drivers are integral and easily accessible through fixture aperture

LED SYSTEM

Citizen LED module (field replaceable)
Color consistency <2 SDCM
Standard (80+ CRI). Optional (90+ and 97+ CRI)
Available in 27K, 30K, 35K, and 40K
L90 >50,000 hours
5 Year Warranty

MOUNTING

Trim fixture designed for use in drywall, wood, acoustic ceiling tiles, and other architectural ceiling materials
Trimless fixture designed for use in drywall, mud-in ceiling applications
Butterfly brackets compatible with 1/2" x 1/2" channel, 1/2", 5/8", 3/4" bar hanger, 1/2" EMT, and furring strips (supplied by others)

LISTING

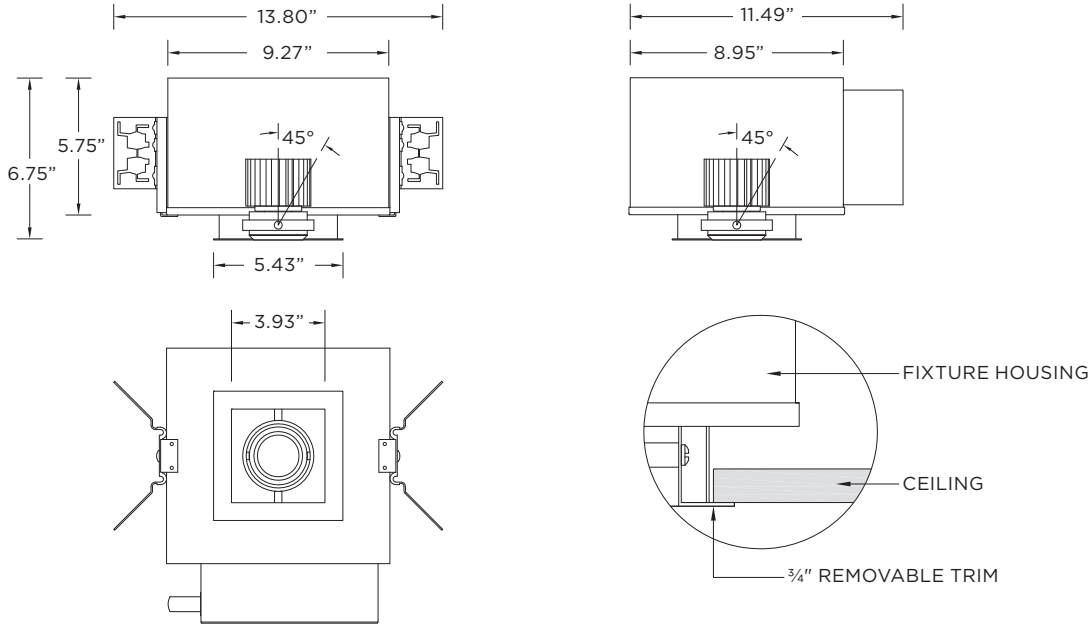
ETL listed and tested to UL standards. Suitable for dry and damp locations

WARRANTY

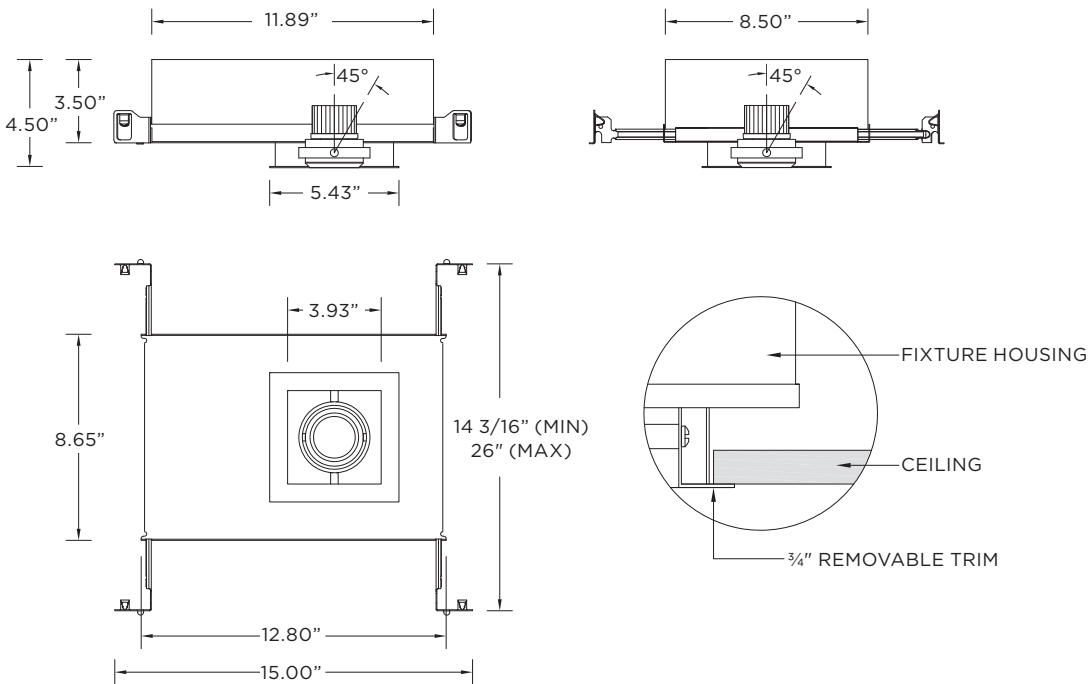
5 Year Warranty on LED and drivers
Manufacturer 1 Year Warranty for defects in material and workmanship under normal use
Ambient temperature at fixture should not exceed 25°C

TRIM HOUSING OPTIONS

- NC** - New Construction (Non-IC)
- IC** - IC Housing
- CP** - Chicago Plenum Housing

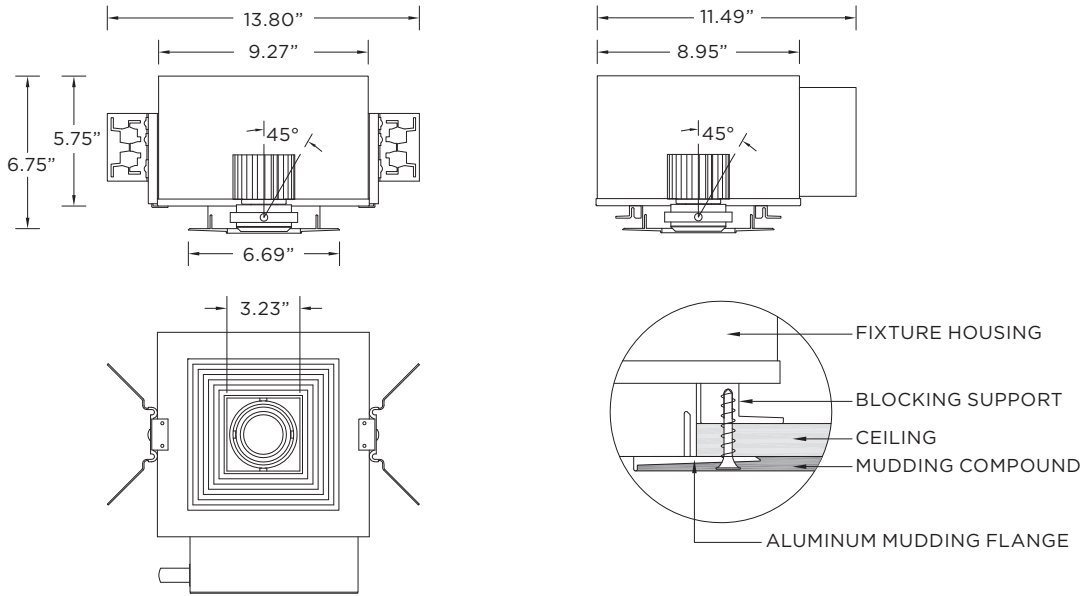


SH - Shallow Housing (IC Rated)



TRIMLESS HOUSING OPTIONS

- NC** - New Construction (Non-IC)
- IC** - IC Housing
- CP** - Chicago Plenum Housing



SH - Shallow Housing (IC rated)

