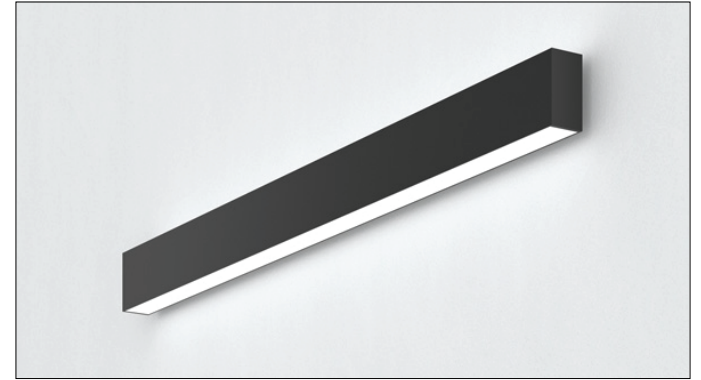




**3G-1WLI, 3G-2WLI and 3G-4WLI**  
**1.5", 2", and 3.5" WALL LINIA**



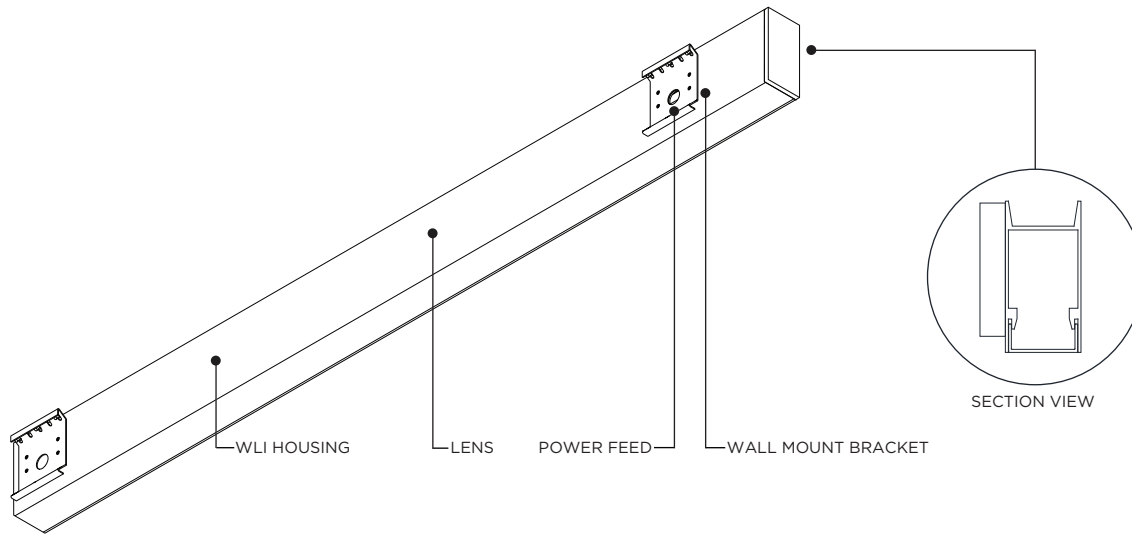
⚠ FOR NEW CONSTRUCTION INSTALLATION ONLY

FIXTURE TYPES			INCLUDED COMPONENTS	
<p>1WLI PROFILE</p>	<p>2WLI PROFILE</p>	<p>4WLI PROFILE</p>	<p><b>Standalone Fixtures (2' to 8')</b></p> <p>INDIVIDUAL LENS</p>	<p><b>Continuous Runs (9' to 16')</b></p> <p>STARTER ENDER LENS</p>
<p><b>Continuous Runs (17' and longer)</b></p> <p>STARTER JOINER ENDER LENS</p>			<p><b>WALL MOUNT COMPONENTS</b></p> <p>WALL BRACKET</p>	

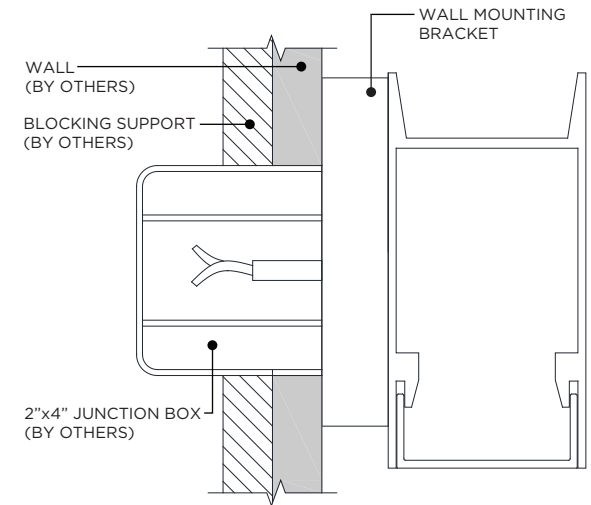
INSTRUCTION KEY	INFORMATION	
⚠	ADDITIONAL	INSTALLATION SHOULD ONLY BE PERFORMED BY A CERTIFIED ELECTRICIAN
i	ATTENTION	REFER TO LOCAL/NATIONAL CODES FOR PROPER INSTALLATION
⚡	POWER ON	FAILURE TO FOLLOW INSTALLATION INSTRUCTION MAY VOID THE WARRANTY
⚡	POWER OFF	DO NOT TOUCH LEADS. LEADS MUST BE PROTECTED FROM MECHANICAL STRESS OR DEBRIS
		TURN OFF POWER DURING INSTALLATION OR SERVICING

OVERVIEW

3G-1WLI, 2WLI ,4WLI



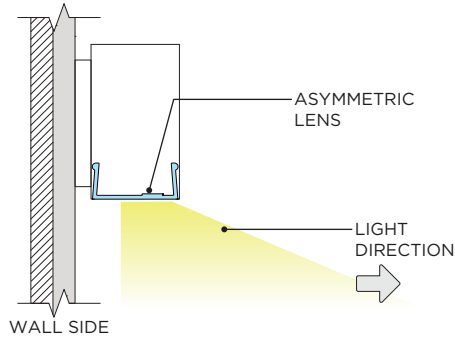
STARTER SECTION VIEW



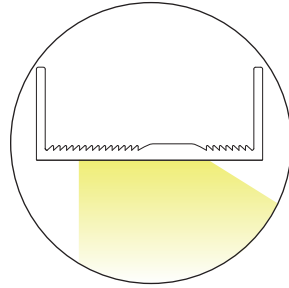
**ASYMMETRIC LENS ORIENTATION**

**3G-1WLI, 3G-2WLI, 3G-4WLI-ASYMMETRIC LENS**

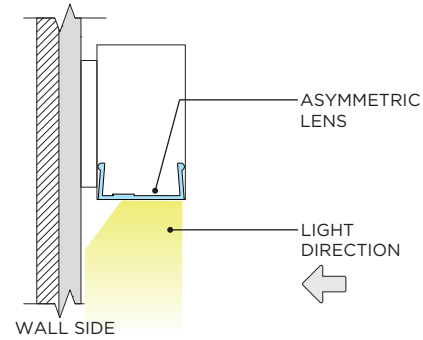
ROOM SIDE DISTRIBUTION



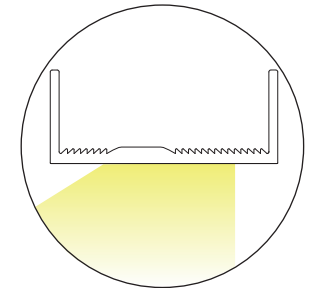
ASYMMETRIC LENS



WALL GRAZING DISTRIBUTION

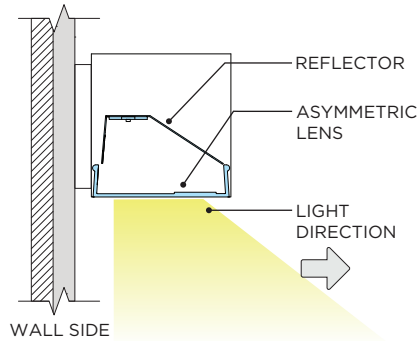


ASYMMETRIC LENS

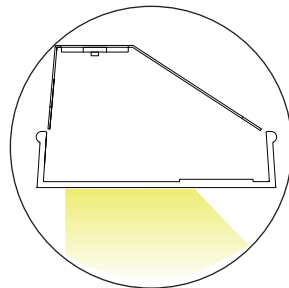


**3G-4WLI-ASYMMETRIC LENS/REFLECTOR ORIENTATION**

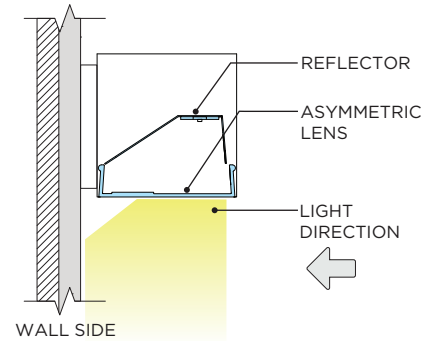
ROOM SIDE DISTRIBUTION



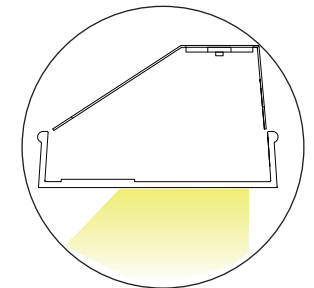
ASYMMETRIC LENS



WALL GRAZING DISTRIBUTION



ASYMMETRIC LENS

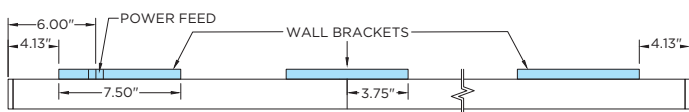


**WALL BRACKET LOCATIONS**

**FOR STANDALONE FIXTURES**



**FOR CONTINUOUS RUNS**



**i** WALL BRACKETS ARE CENTERED BETWEEN ALL JOINED SECTIONS

**IDENTIFICATION AND PREPARATION**

ID LABEL



ORDER TYPE    ORDER NUMBER    SECTION ID NUMBER

**i** IDENTIFY FIXTURE SECTIONS BY THE ID LABELS FOUND ON THE BOX INSIDE THE SECTIONS

ID LABEL

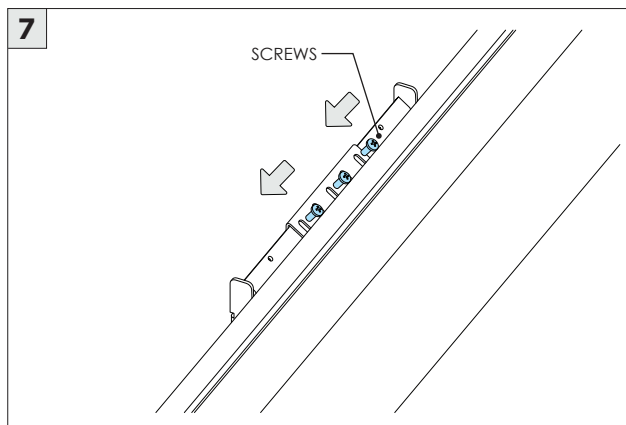
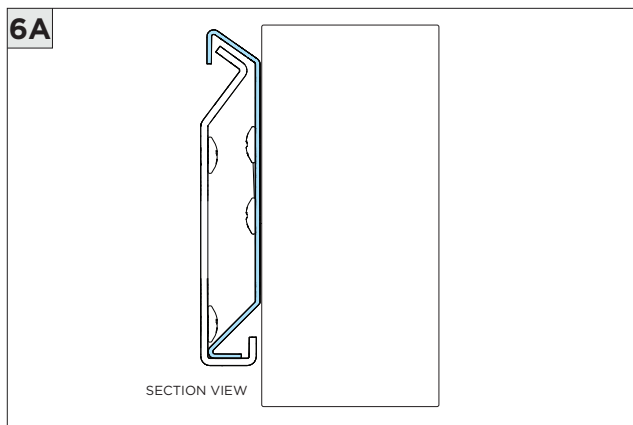
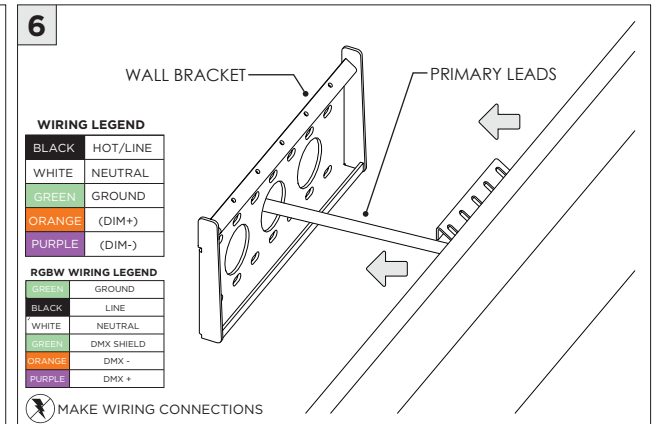
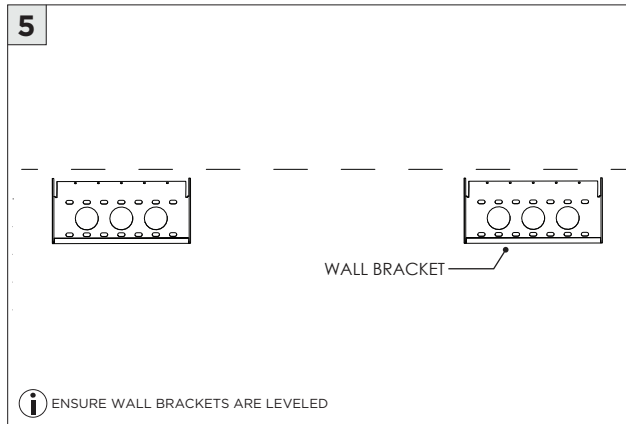
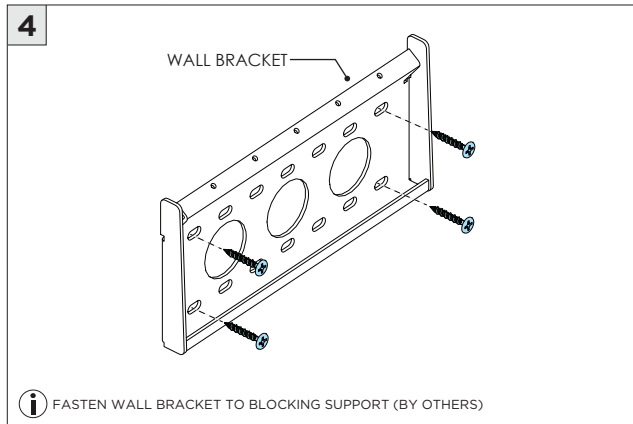
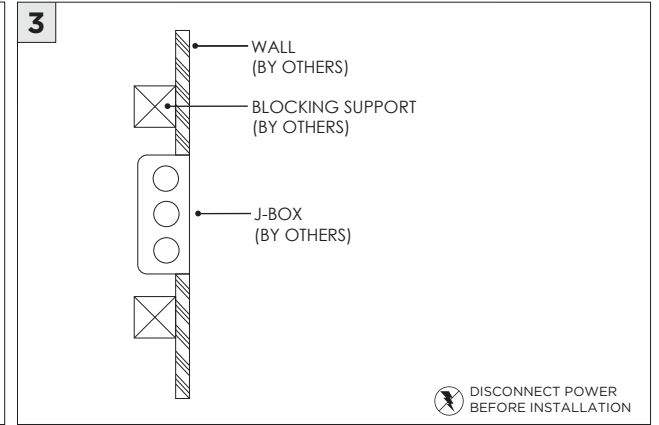
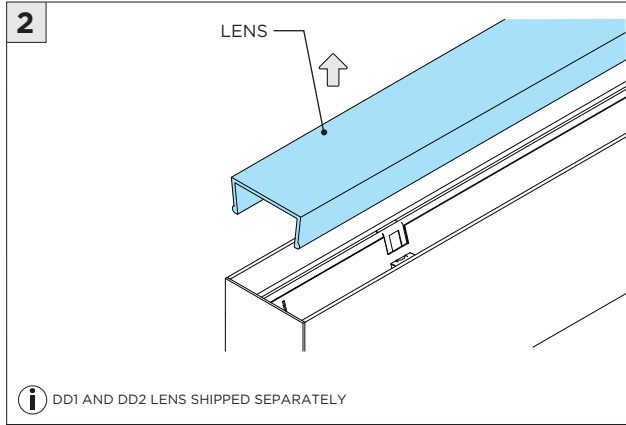
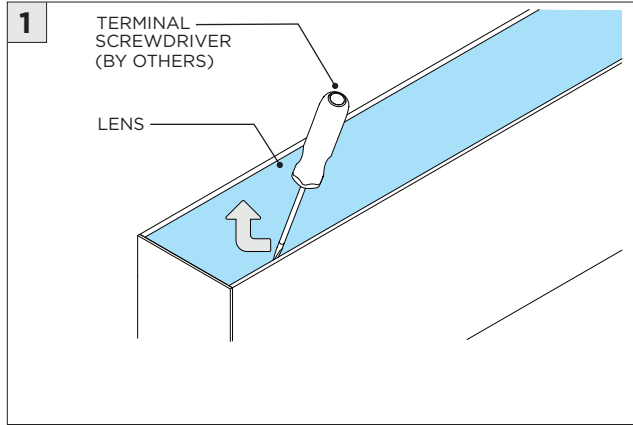
SECTION: **01 OF 03**  
TYPE: **XX XX**    CO-0000



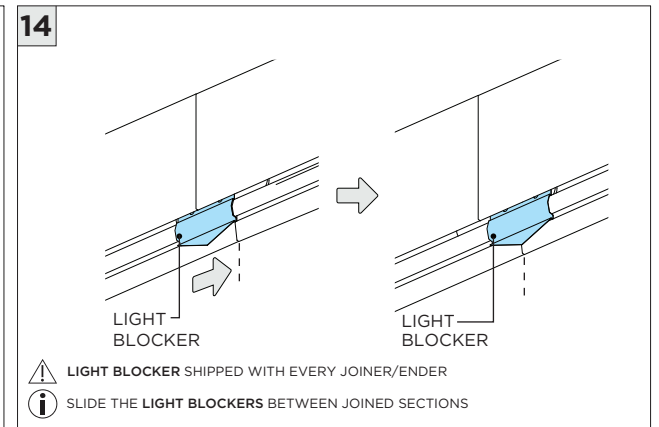
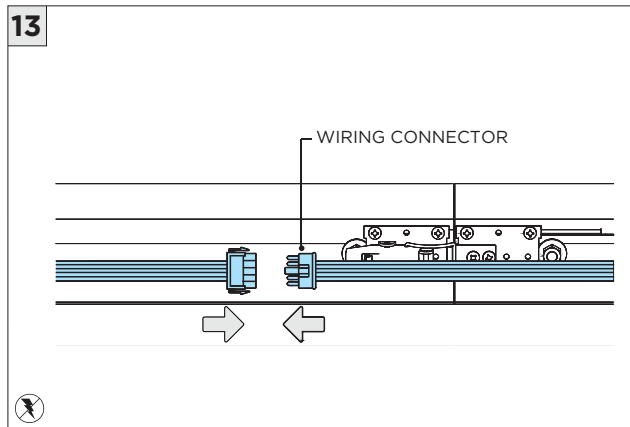
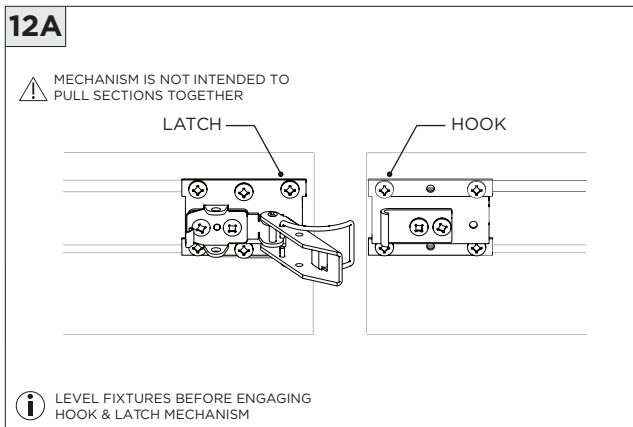
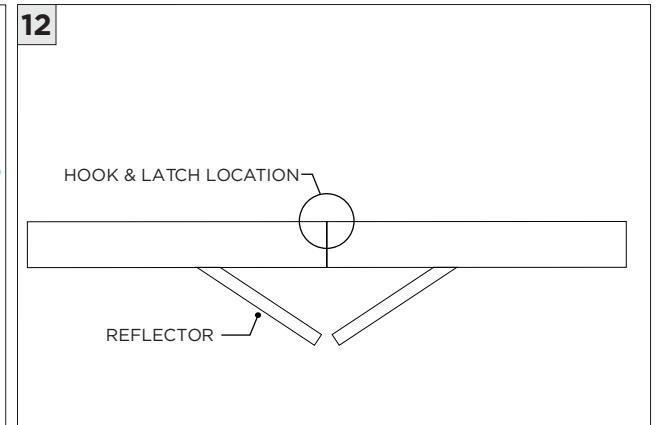
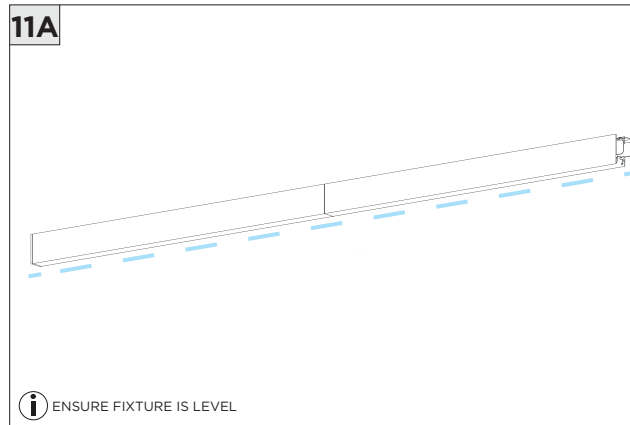
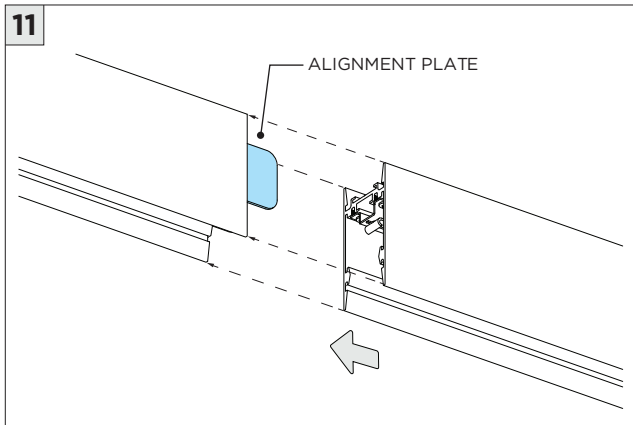
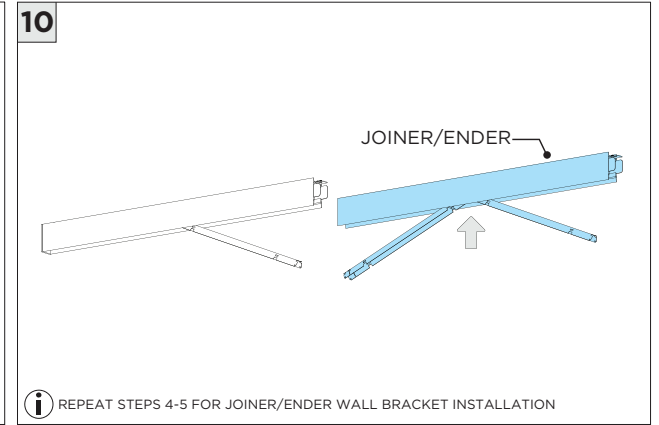
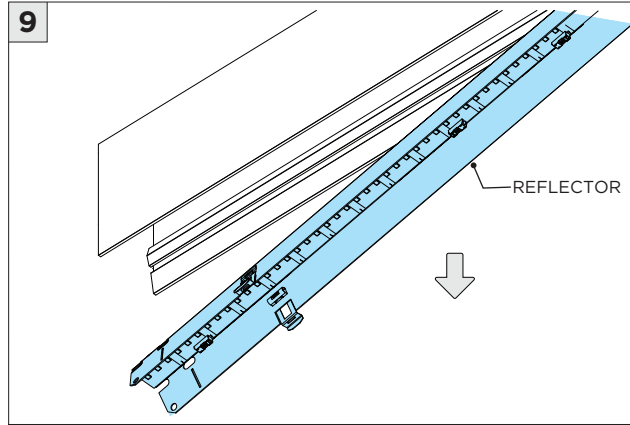
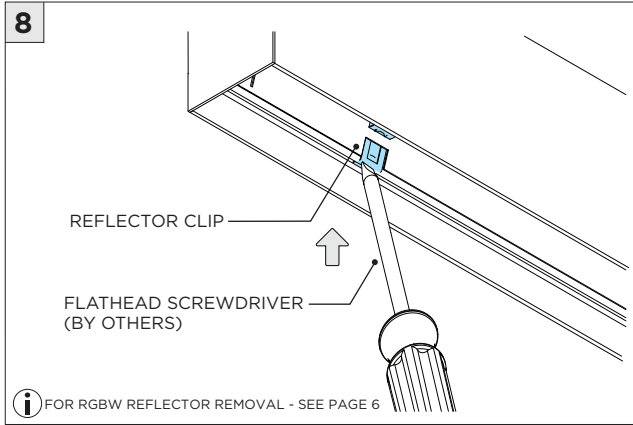
STARTER

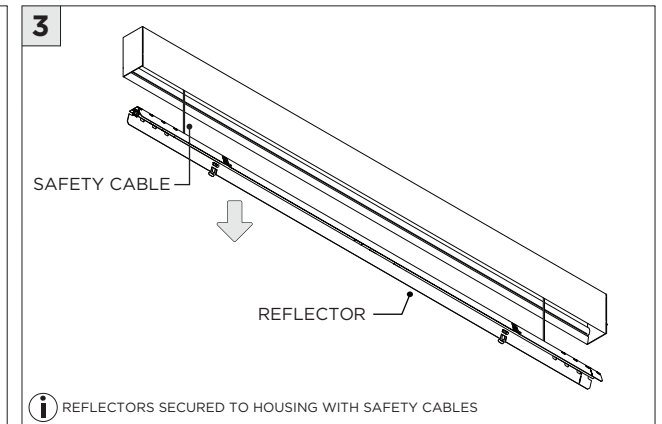
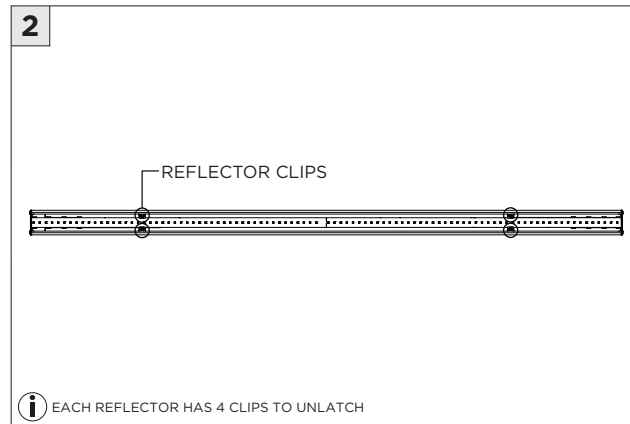
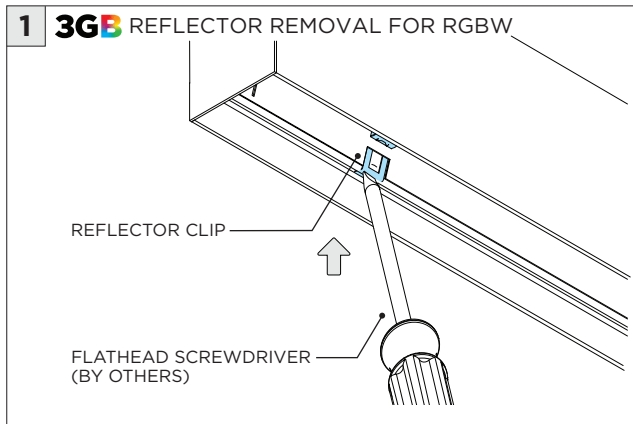
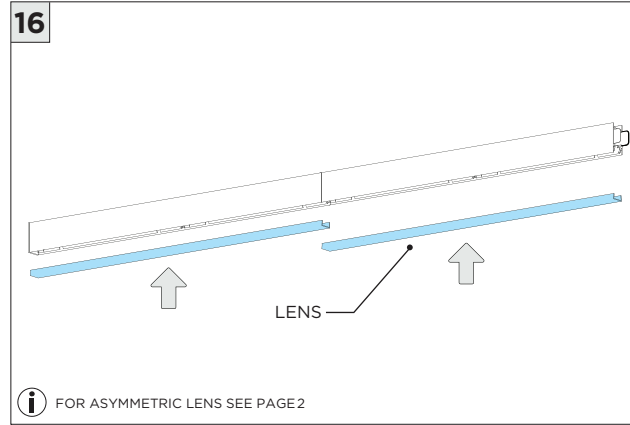
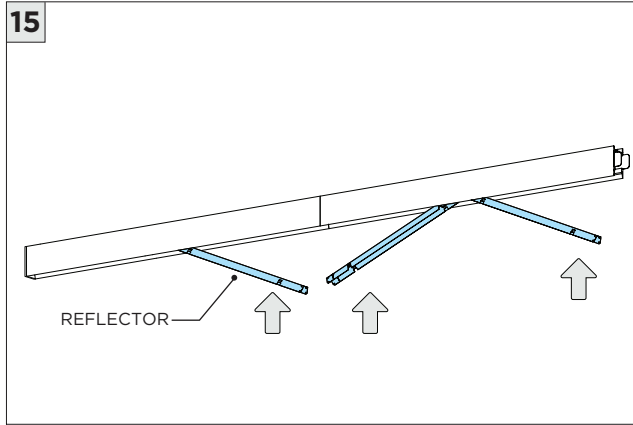
JOINER

ENDER



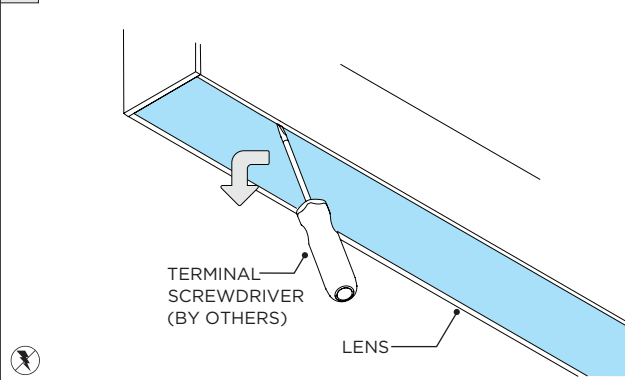
INSTALLING JOINER/ENDER



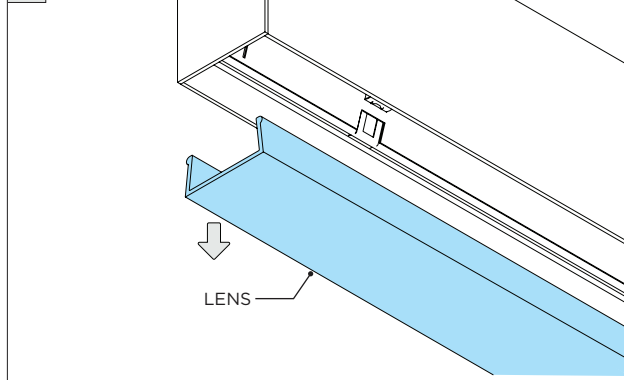


**DRIVER SERVICING**

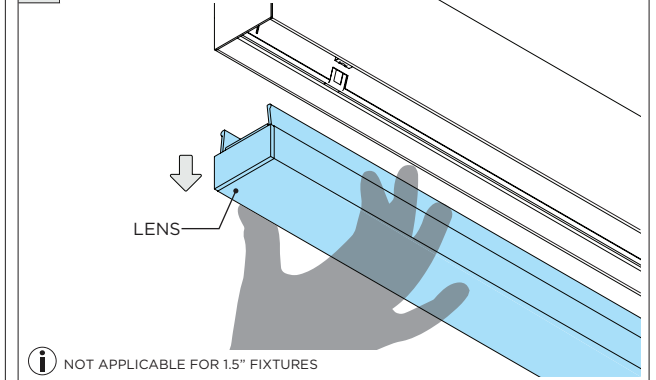
**1 FLUSH LENS REMOVAL**



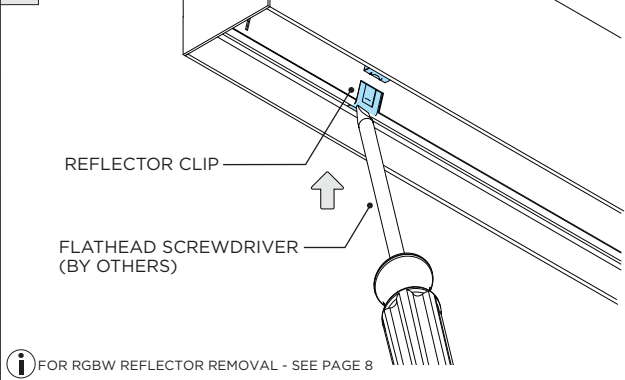
**2**



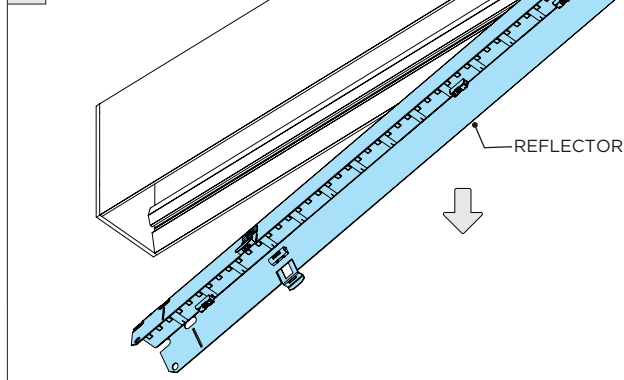
**2A DROP LENS REMOVAL**



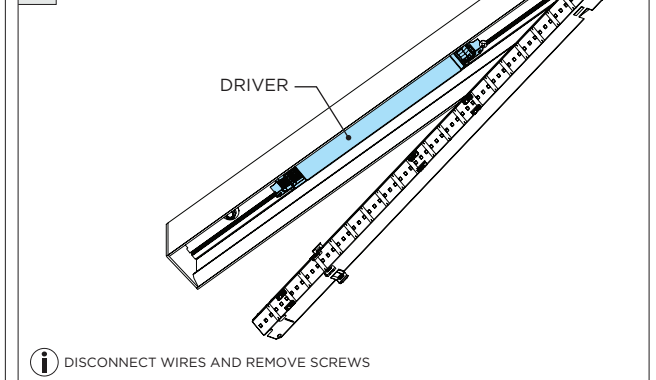
**3**



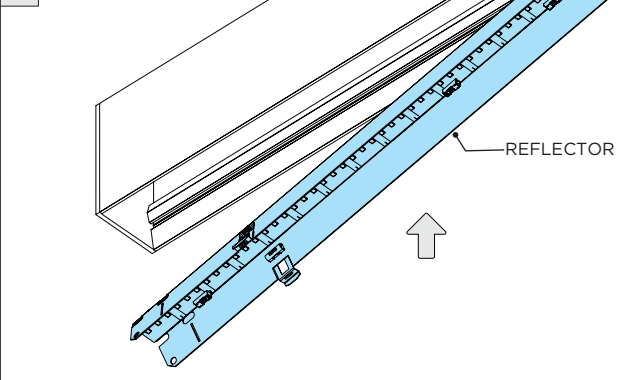
**4**



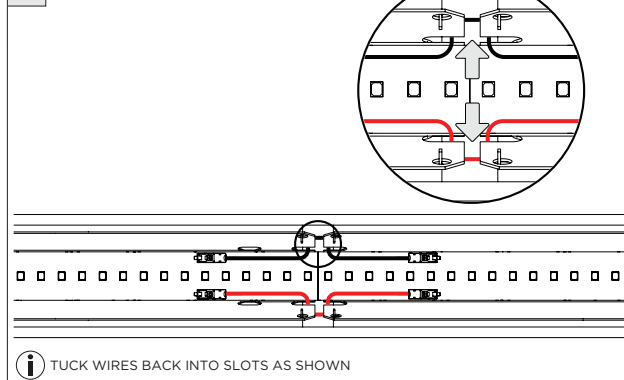
**5**



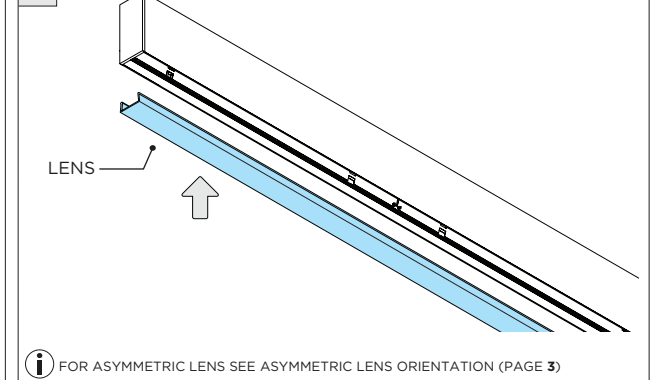
**6**



**7**

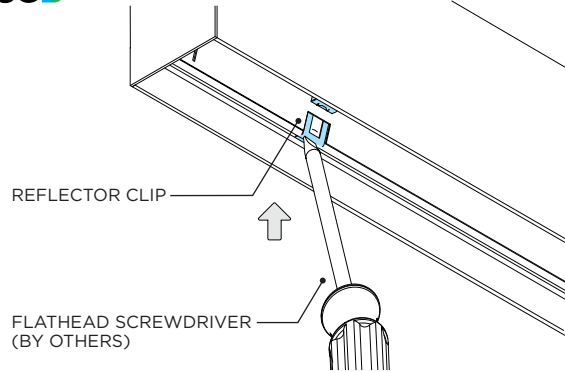


**8**

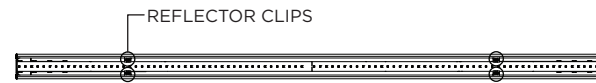


**DRIVER SERVICING**

**1 3GB REFLECTOR REMOVAL FOR RGBW**

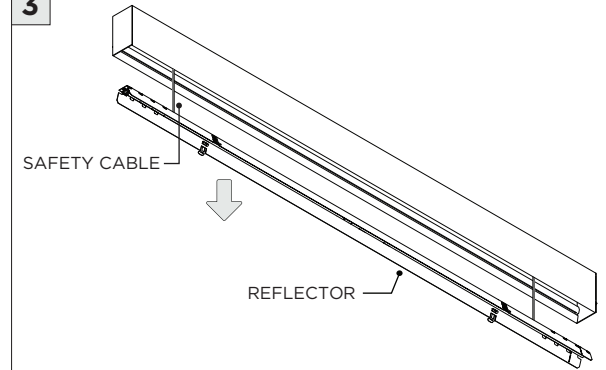


**2**



**i** EACH REFLECTOR HAS 4 CLIPS TO UNLATCH

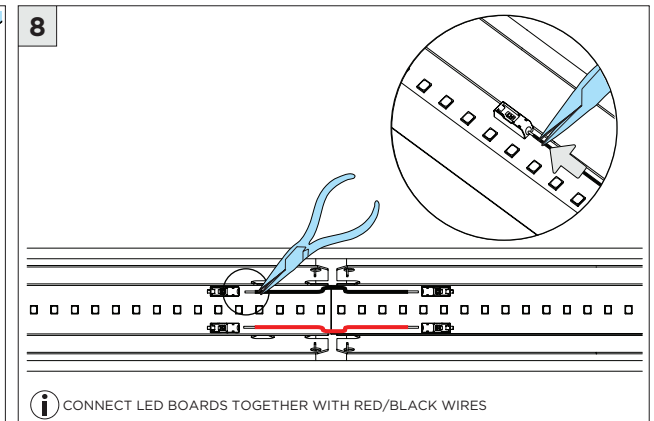
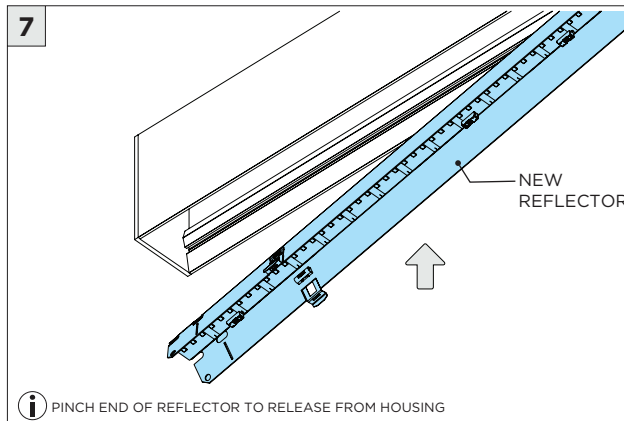
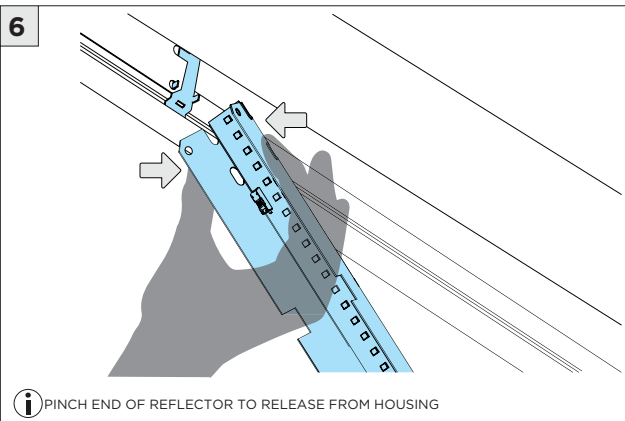
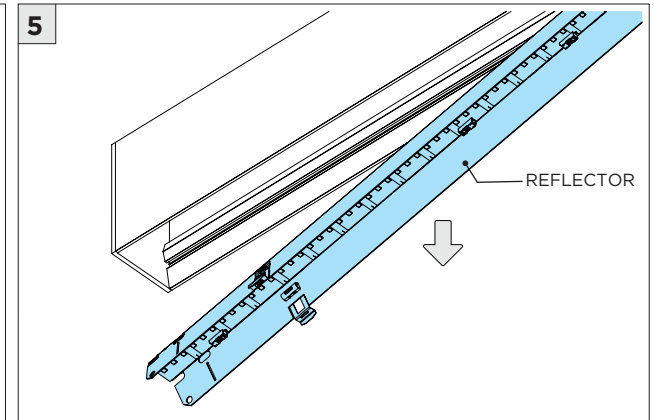
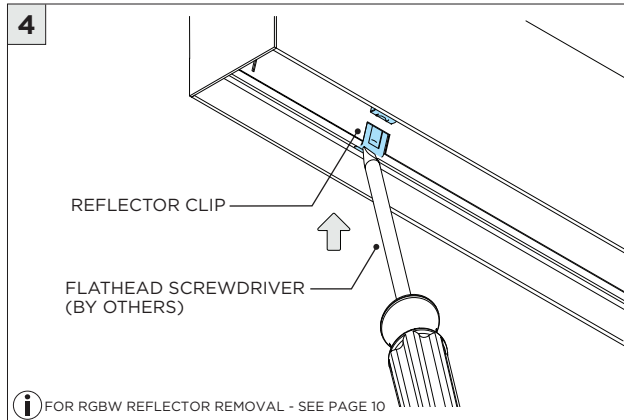
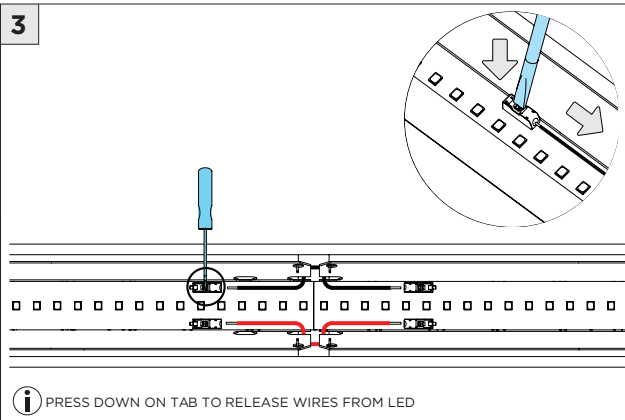
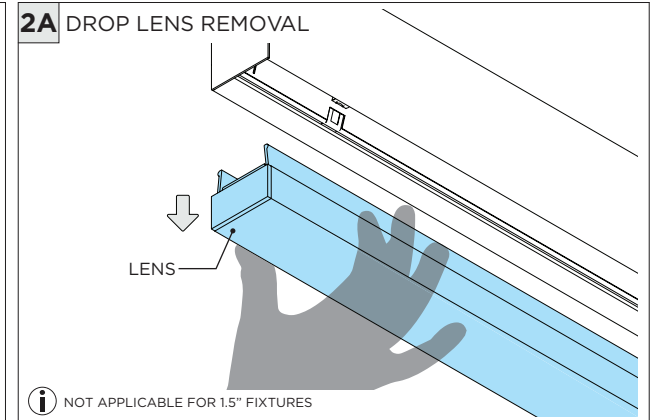
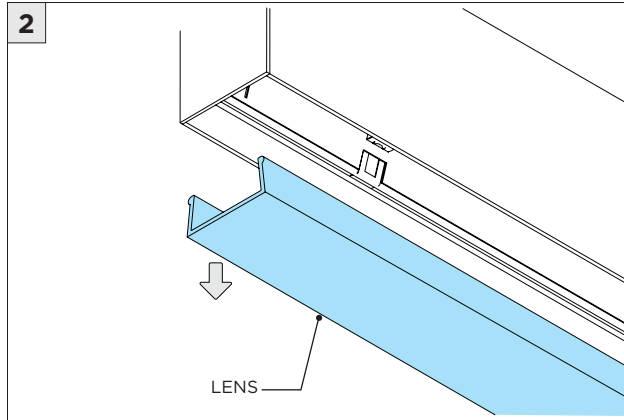
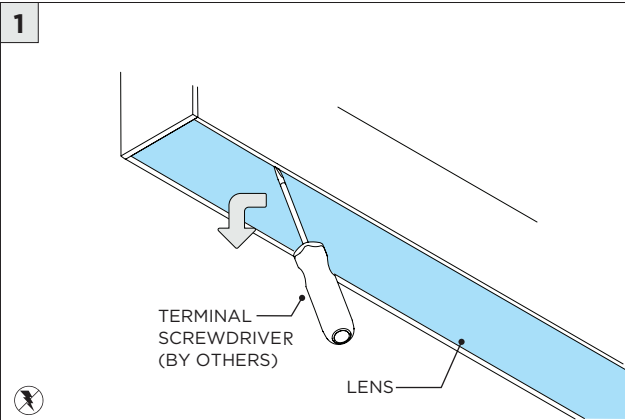
**3**



**i** REFLECTORS SECURED TO HOUSING WITH SAFETY CABLES



**LED SERVICING**



**LED SERVICING**

