

3G LIGHTING

3G-PM3

3 LIGHT MADISON
PENDANT MOUNTED

Extruded aluminum housing with fabricated mitered corners
Housing design features a beveled edge with no visible hardware
Machined aluminum double gimbals. Adjustable and lockable
2.75" Regressed LED source for enhanced glare control
Lumen range up to 5000lm (80+, 90+, and 97+ CRI options)
Adjustable aircraft cable suspension
1% dimming standard with integral drivers



ORDERING INFORMATION

PROJECT:

TYPE:

CATALOG #:

DATE:

| CAT. NO | LUMEN OUTPUT | CRI | COLOR TEMP | BEAM ANGLE | VOLTAGE |
|---------------|--------------------------------------|-----------------------------------|--------------------|-------------------------------|-----------------------|
| 3G-PM3 | 10 - 1000 LUMENS | S80 - 80+ CRI | 27K - 2700K | 10D - 10° ³ | UNV - 120/277V |
| | 15 - 1500 LUMENS | H90 - 90+ CRI ² | 30K - 3000K | 20D - 20° | 120 - 120V |
| | 22 - 2200 LUMENS | H97 - 97+ CRI ² | 35K - 3500K | 40D - 40° | 347 - 347V |
| | 30 - 3000 LUMENS | | 40K - 4000K | 60D - 60° | (0-10V ONLY) |
| | 40 - 4000 LUMENS | | | 90D - 90°* | |
| | 50 - 5000 LUMENS ¹ | | | | |

* 90D reflector supplied standard with lens

| DRIVER | GIMBAL FINISH | HOUSING | CABLE LENGTH |
|---|--------------------------------|--|--|
| DIM - 0-10V (STANDARD 100-1%) | NG - NATURAL (STANDARD) | BK - BLACK | 60" - 60" (STANDARD) |
| LE - PHASE DIMMING ⁴ (TRIAC/ELV, 100-1%) | BG - BLACK | WH - WHITE | 120" - 120" |
| D01 - 0-10V (eIdoLED, 100-0.1%) | WG - WHITE | SV - SILVER | |
| DALI - DALI (eIdoLED, 100-1%) ⁵ | | CF - CUSTOM | |
| DHL2 - LUTRON HI-LUME LDE1 (1% ECOSYSTEM) | | | |
| DMX - DMX (eIdoLED, 100-0%) | | | |
| | | Housing interior & exterior will be powder coated the same color | Mounting canopies provided in matte white finish as standard |

OPTIONS

- 2C** - 2 CIRCUIT
- SF70** - SOFTENING LENS
- LS70** - LINEAR SPREAD LENS
- SB70** - SANDBLASTED LENS
- HXB70** - BLACK HEXCELL LOUVER
- BCN** - BLACK CANOPY
- SCN** - SILVER CANOPY

Maximum 3 optical accessories. See optical accessories page for more options

- ¹ 5000lm option not available with phase dimming (LE) or Lutron Hi-Lume (DHL2) option
- ² 90+ CRI available up to 4000lm. 97+ CRI in 30K and 35K as standard and available up to 3000lm
- ³ 10 degree reflector available up to 2200lm
- ⁴ Forward Phase/Reverse Phase driver available in 120V only
- ⁵ DALI-2 (Type 6) provided as standard. Please consult factory for DALI (Type 8) options

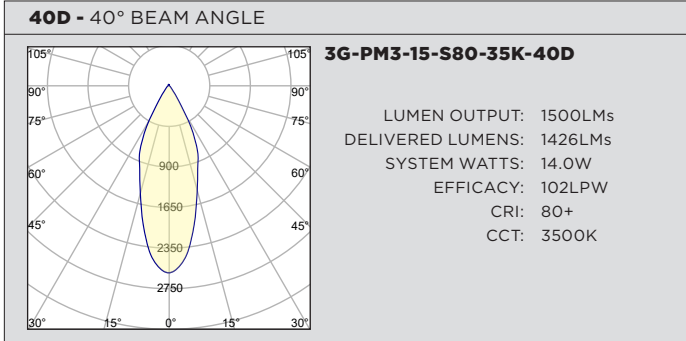
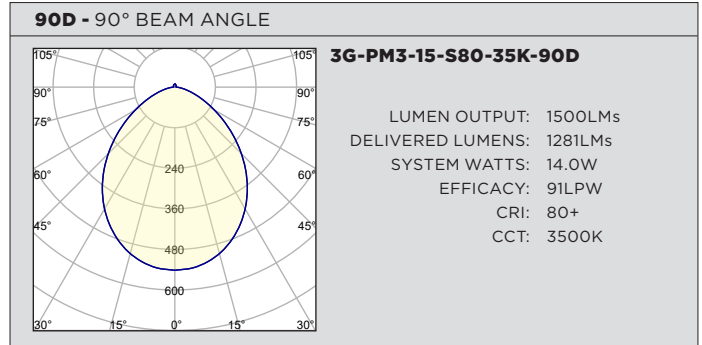
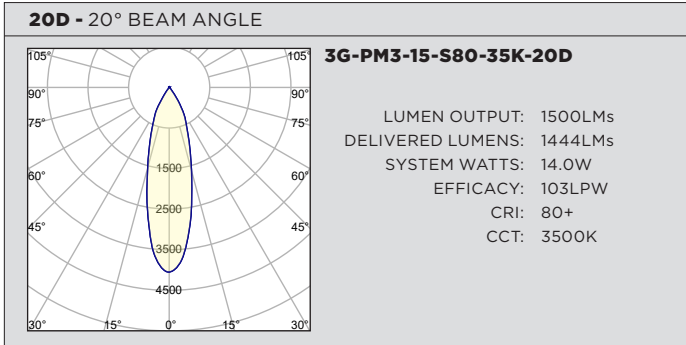
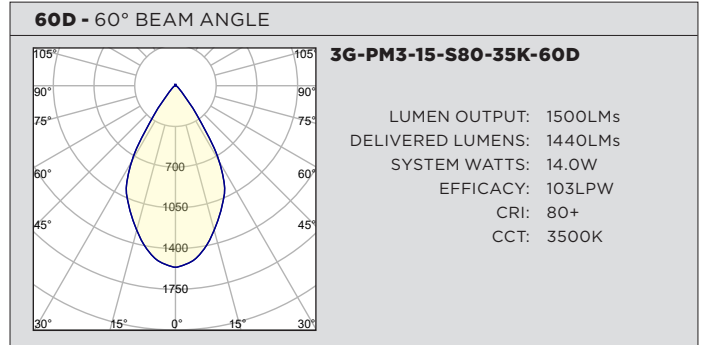
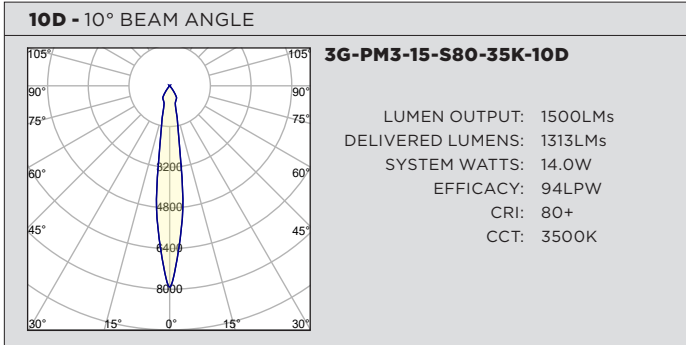
SEPTEMBER 15, 2020

PERFORMANCE CHART BASED ON 20° BEAM AND 3500K SOURCE (PER FIXTURE HEAD)

| LUMEN OUTPUT | 80+ CRI | | | 90+ CRI | | | 97+ CRI | | |
|----------------|------------------|--------------|----------------|------------------|--------------|----------------|------------------|--------------|----------------|
| | DELIVERED LUMENS | SYSTEM WATTS | EFFICACY (LPW) | DELIVERED LUMENS | SYSTEM WATTS | EFFICACY (LPW) | DELIVERED LUMENS | SYSTEM WATTS | EFFICACY (LPW) |
| 1000LMs | 1080 | 10.3 | 105 | 951 | 10.3 | 92 | 886 | 10.3 | 86 |
| 1500LMs | 1444 | 14.0 | 103 | 1271 | 14 | 91 | 1184 | 14 | 85 |
| 2200LMs | 2089 | 22.0 | 95 | 1838 | 22 | 84 | 1713 | 22 | 78 |
| 3000LMs | 2815 | 31.3 | 90 | 2477 | 31.3 | 79 | 2308 | 31.3 | 74 |
| 4000LMs | 3958 | 43.0 | 92 | 3483 | 43 | 81 | N/A | N/A | N/A |
| 5000LMs | 4207 | 47.3 | 89 | N/A | N/A | N/A | N/A | N/A | N/A |

| LUMEN OUTPUT ADJUSTMENT FACTORS | CCT | Multiplier |
|---------------------------------|-------|------------|
| | 2700K | 0.945 |
| | 3000K | 0.985 |
| | 3500K | 1.00 |
| | 4000K | 1.01 |

PHOTOMETRY (PER FIXTURE HEAD)



TECHNICAL**HOUSING**

- Extruded aluminum housing with fabricated mitered corners
- Housing design features a beveled edge with no visible hardware
- Integral driver compartment fabricated in cold rolled steel
- Standard polyester powder coated interior and exterior available in matte white, matte black, and matte silver

ADJUSTABILITY

- Solid aluminum, 70mm machined double gimbals with dual axis adjustability (45°x45°)
- Each double gimbal can be locked into place

OPTICS

- Regressed LED source for enhanced glare control
- Proprietary anodized, aluminum reflectors are field replaceable (10° reflector not interchangeable)
- Available in 10°, 20°, 40°, 60°, and 90°
- Fixture head designed to accept 3 optical accessories

ELECTRICAL

- Standard 0-10V, constant current drivers with 100-1% dimming range and >0.9 power factor
- Standard 120/277V universal voltage drivers. Optional 347V, 0-10V drivers
- 120V Forward Phase/Reverse Phase driver option with 100-1% dimming range
- eldoLED 0-10V driver option available with 100-0.01% dimming range
- eldoLED DALI and Lutron EcoSystem driver options available with 100-1% dimming range
- DMX driver option available with 100-0% dimming range
- All drivers are integral and easily accessible through the top of the fixture housing

LED SYSTEM

- Citizen LED module (field replaceable)
- Color consistency <2 SDCM
- Standard (80+ CRI). Optional (90+ and 97+ CRI)
- Available in 27K, 30K, 35K, and 40K
- L90 >50,000 hours
- 5 Year Warranty

MOUNTING

- Suitable for drywall, concrete, wood, grid ceiling, and other architectural ceilings (see mounting details)
- Adjustable aircraft cable suspension with locking fasteners (60" length standard)
- Standard, 18-gauge, 5 conductor single circuit power feed (clear braided finish)
- Fixture mounts to a standard junction box
- All mounting canopies provided in matte white powder coated finish as standard

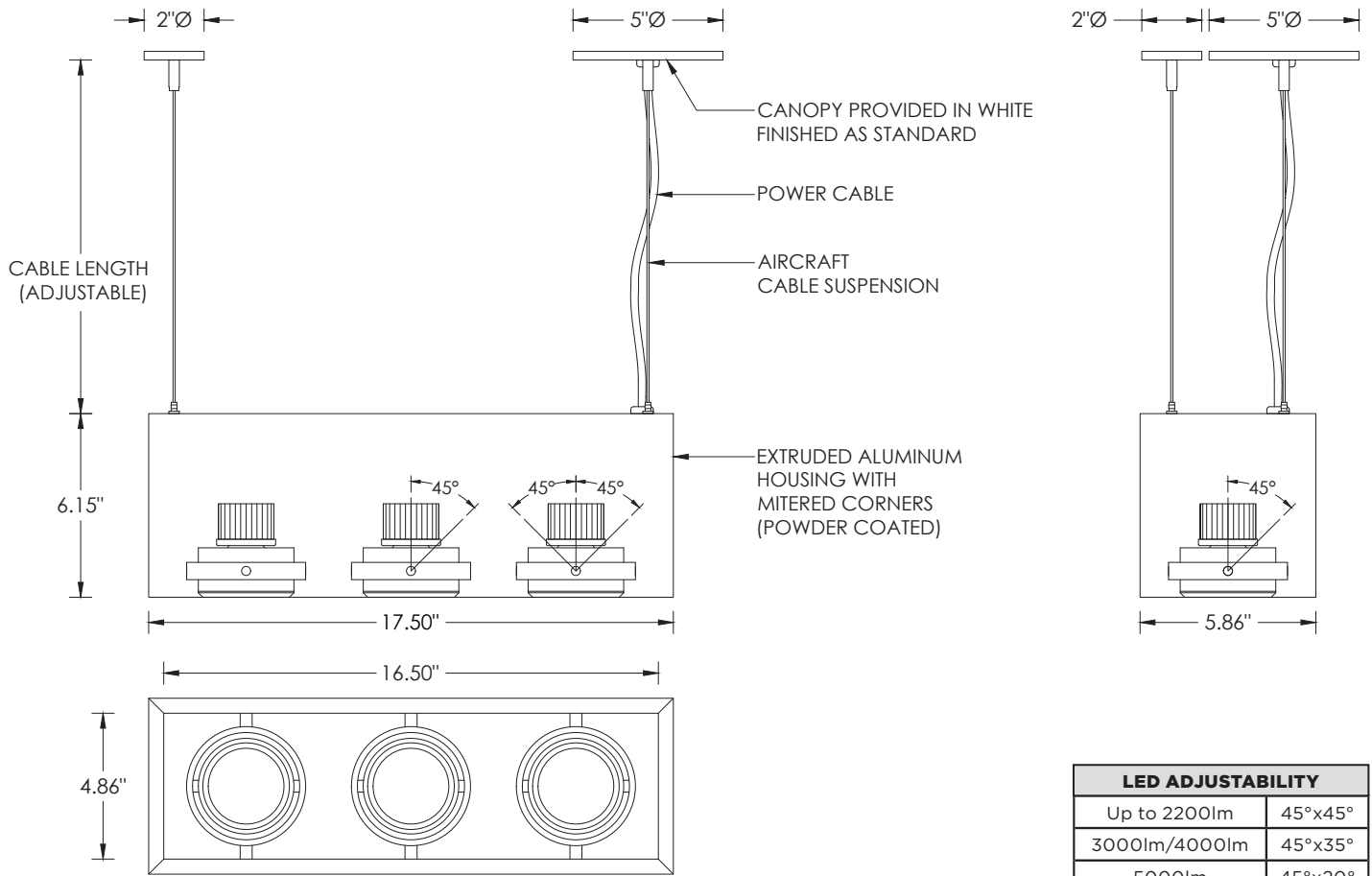
LISTING

- ETL listed and tested to cUL standards. Suitable for dry and damp locations

WARRANTY

- 5 Year Warranty on LED and drivers
- Manufacturer 1 Year Warranty for defects in material and workmanship under normal use
- Ambient temperature at fixture should not exceed 25°C

DRAWINGS AND DIMENSIONS



MOUNTING DETAILS

