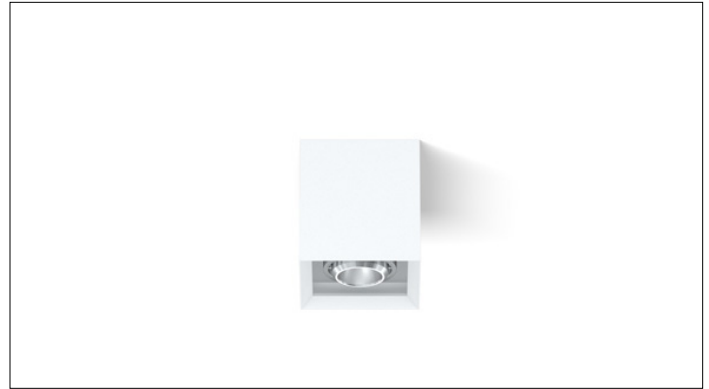


3G LIGHTING

3G-SM1M5

1 LIGHT SURFACE
MINI MADISON

Extruded aluminum housing with fabricated mitered corners
Housing designed with a beveled edge and no visible hardware
Solid aluminum double gimbal with dual axis adjustability
Standard 95+ CRI LED system with performance up to 143 LPW
Delivered lumen range per fixture head up to 2000lm at 95+ CRI
Regressed LED source for enhanced glare control
10° to 90° beam angle options suitable for various applications
Companion to 3G's Madison product family



| | | | |
|------------------|--|--------------|-------------|
| PROJECT: | | TYPE: | |
| CATALOG#: | | DATE: | QTY: |

| CAT. NO | LUMEN OUTPUT** | CRI | COLOR TEMP | BEAM ANGLE | VOLTAGE |
|-----------------|---|----------------------|--|--|--|
| 3G-SM1M5 | 10 - 1000 LUMENS 15 - 1500 LUMENS 20 - 2000 LUMENS <small>All lumen outputs are delivered lumens at 95+ CRI</small> | H95 - 95+ CRI | 27K - 2700K 30K - 3000K 35K - 3500K 40K - 4000K | 10D - 10° 20D - 20° 40D - 40° 60D - 60° 90D - 90° * <small>*90D optic supplied with lens Not available with other lens options</small> | UNV - 120/277V 120 - 120V |

| DRIVER | GIMBAL FINISH | HOUSING FINISH | OPTIONS |
|--|--|--|--|
| DIM - 0-10V (100-1%) LE - PHASE DIM (TRIAC/ELV, 100-1%) * | NG - NATURAL ALUMINUM BG - BLACK GIMBAL WG - WHITE GIMBAL | BK - BLACK WH - WHITE SV - SILVER CF - CUSTOM <small>*Housing interior & exterior will be powder coated the same color</small> | CDF - CONDUIT FEED SF - SOFTENING LENS SB - SANDBLASTED LENS LS - LINEAR SPREAD LENS HXB - BLACK HEXCELL LOUVER EMR - REMOTE EMERGENCY ¹ BATTERY <small>*Lens option not available with 90D optic Maximum 2 optical accessories</small> |

¹ Supplied with enclosure with Emergency Battery and driver. Installed remotely by others. Not accessible through fixture aperture

****** 3G has upgraded our LED system and overall performance at no additional cost. We now offer 95+CRI as standard. All lumen outputs are delivered lumens. This upgraded LED system is more efficient than our previous 80CRI, 90CRI, and 97CRI options. Please see the last page of this spec sheet to cross-reference old lumen outputs with our new, 95+CRI lumen output options

PERFORMANCE

| LUMEN OUTPUT | DELIVERED LUMENS | SYSTEM WATTS | EFFICACY (LPW) |
|--------------|------------------|--------------|----------------|
| 1000 | 1000 | 8.5 | 117 |
| 1500 | 1500 | 13.5 | 111 |
| 2000 | 2000 | 18.5 | 108 |

BASED ON 95+ CRI, 3500K, 40D OPTIC
Lumen output and actual wattage may vary +/- 5%

MULTIPLIERS

| BEAM ANGLE | |
|------------|------|
| 10D | 0.97 |
| 20D | 1.20 |
| 40D | 1.00 |
| 60D | 1.02 |
| 90D | 0.90 |

| COLOR TEMP | |
|------------|------|
| 2700K | 0.98 |
| 3000K | 1.00 |
| 3500K | 1.00 |
| 4000K | 1.02 |

HOUSING

Extruded aluminum housing with fabricated mitered corners
Housing design features a beveled edge and no visible hardware
Integral driver compartment fabricated in cold rolled steel
Standard polyester powder coated interior and exterior
available in matte white, matte black, and matte silver

ADJUSTABILITY

Solid aluminum double gimbal with dual axis adjustability
Each double gimbal can be locked in place

OPTICS

Proprietary anodized, aluminum reflectors
Beam angle available in 10°, 20°, 40° and 60°, and 90°
Reflectors are field replaceable
10° and 20° reflectors are multi-faceted (not interchangeable with other options)

LED SYSTEM

Standard 95+ CRI
Color consistency <2 SDCM
Available in 27K, 30K, 35K, and 40K
L90 > 50,000 hours

ELECTRICAL

Standard 0-10V, constant current drivers
100-1% dimming range and >0.9 power factor
120V Forward Phase/Reverse Phase driver option (100-1%)
Integral drivers are easily accessible through luminaire aperture

EMERGENCY

7W output for 90 minutes (One fixture head +/- 850lm at 95+ CRI)
Title 24 Certified
Remote emergency battery not accessible through fixture aperture
Maximum remote mounting distance:
3000lm or below - 50ft (12AWG) or 25ft (14AWG)
Caution: Emergency Battery utilizes more than one power source and servicing should be performed by qualified personnel

MOUNTING

Suitable for surface mounted applications
Suitable for drywall, concrete, wood, grid ceiling, and other architectural ceilings
Fixture mounts to a standard junction box
Optional conduit feed available

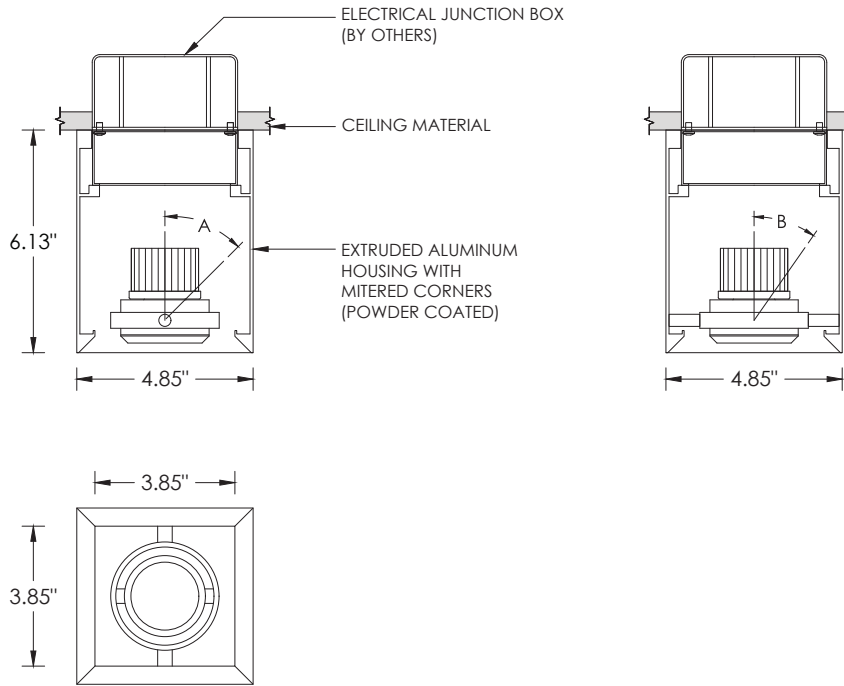
LISTING

ETL listed and conforms to UL1598 standard
Certified to CSA22.2 NO.250.0.
Rated for dry or damp locations

WARRANTY

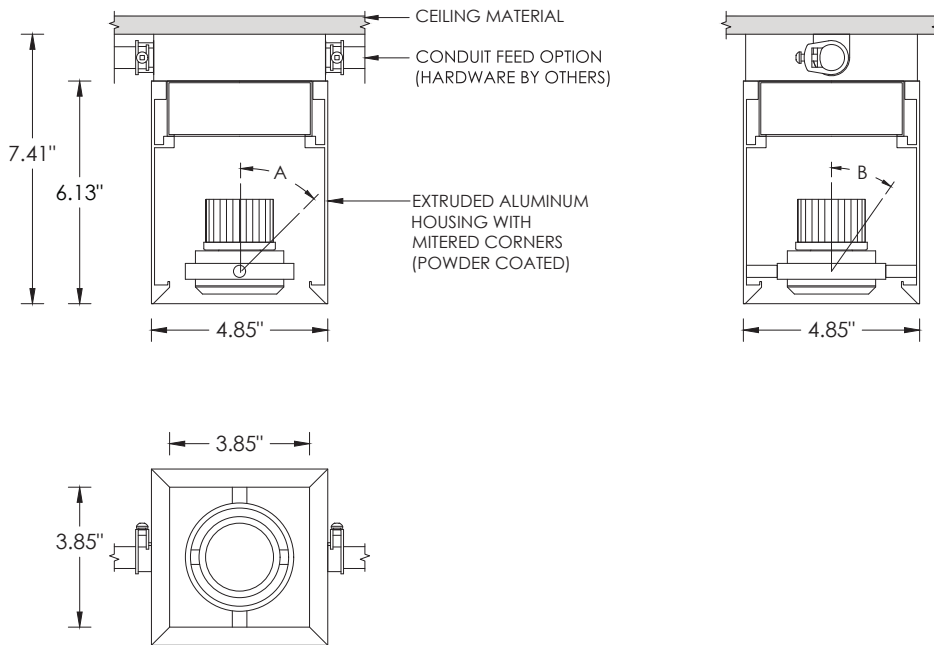
5 year limited warranty
LED system rated for operation in ambient environments up to 25°C

STANDARD JUNCTION BOX



| LUMEN OUTPUT | A | B |
|------------------|-----|-----|
| 1000lm to 2000lm | 25° | 30° |

CONDUIT FEED OPTION



| LUMEN OUTPUT | A | B |
|------------------|-----|-----|
| 1000lm to 2000lm | 25° | 30° |

LUMEN OUTPUT REFERENCE CHART

3G has upgraded our LED system and overall performance at no additional cost. We now offer 95+CRI as standard. All lumen outputs are delivered lumens. This new LED system is more efficient than our previous 80CRI, 90CRI, and 97CRI options. Please use these charts to cross-reference old lumen outputs with our new, 95+CRI lumen output options

80CRI REFERENCE CHARTS

MATCH THE GRADIENT SHADE FROM THE OLD LUMEN OUTPUT CHART TO THE NEW LUMEN OUTPUT OPTION

| OLD 80CRI SPECS | | | |
|-----------------|------------------|--------------|----------------|
| LUMEN OUTPUT | DELIVERED LUMENS | SYSTEM WATTS | EFFICACY (LPW) |
| 1000 | 1015 | 10.2 | 100 |
| 1500 | 1400 | 13.9 | 101 |
| 2200 | 2194 | 22.0 | 100 |

| NEW 95+CRI SPECS | | | |
|------------------|------------------|--------------|----------------|
| LUMEN OUTPUT | DELIVERED LUMENS | SYSTEM WATTS | EFFICACY (LPW) |
| 1000 | 1000 | 8.9 | 113 |
| 1500 | 1500 | 14.1 | 106 |
| 2000 | 2000 | 19.3 | 104 |

90CRI REFERENCE CHARTS

MATCH THE GRADIENT SHADE FROM THE OLD LUMEN OUTPUT CHART TO THE NEW LUMEN OUTPUT OPTION

| OLD 90CRI SPECS | | | |
|-----------------|------------------|--------------|----------------|
| LUMEN OUTPUT | DELIVERED LUMENS | SYSTEM WATTS | EFFICACY (LPW) |
| 1000 | 893 | 10.2 | 88 |
| 1500 | 1232 | 13.9 | 89 |
| 2200 | 1931 | 22.0 | 88 |

| NEW 95+CRI SPECS | | | |
|------------------|------------------|--------------|----------------|
| LUMEN OUTPUT | DELIVERED LUMENS | SYSTEM WATTS | EFFICACY (LPW) |
| 1000 | 1000 | 8.9 | 113 |
| 1500 | 1500 | 14.1 | 106 |
| 2000 | 2000 | 19.3 | 104 |