



## 3G-SM2M5

2 LIGHT MINI MADISON  
SURFACE MOUNTED

Extruded aluminum housing with fabricated mitered corners  
Housing design features a beveled edge with no visible hardware  
Machined aluminum double gimbal. Adjustable and lockable  
1.95" Regressed LED source for enhanced glare control  
Lumen range up to 2200lm (80+, 90+, and 97+ CRI options)  
1% dimming standard with integral drivers



### ORDERING INFORMATION

<b>PROJECT:</b>	<input type="text"/>	<b>TYPE:</b>	<input type="text"/>
<b>CATALOG #:</b>	<input type="text"/>	<b>DATE:</b>	<input type="text"/>

CAT. NO	LUMEN OUTPUT	CRI	COLOR TEMP	BEAM ANGLE	VOLTAGE
<b>3G-SM2M5</b>	<b>10</b> - 1000 LUMENS	<b>S80</b> - 80+ CRI	<b>27K</b> - 2700K	<b>20D</b> - 20°	<b>UNV</b> - 120/277V <b>120</b> - 120V
	<b>15</b> - 1500 LUMENS	<b>H90</b> - 90+ CRI	<b>30K</b> - 3000K	<b>40D</b> - 40°	
	<b>22</b> - 2200 LUMENS	<b>H97</b> - 97+ CRI <sup>1</sup>	<b>35K</b> - 3500K	<b>60D</b> - 60°	
			<b>40K</b> - 4000K	<b>90D</b> - 90° *	
				* 90D reflector supplied standard with lens	

DRIVER	GIMBAL FINISH	HOUSING	OPTIONS
<b>DIM</b> - 0-10V (STANDARD 100-1%) <b>LE</b> - PHASE DIMMING <sup>2</sup> (TRIAC/ELV, 100-1%, 120V ONLY)	<b>NG</b> - NATURAL (STANDARD) <b>BG</b> - BLACK <b>WG</b> - WHITE	<b>BK</b> - BLACK <b>WH</b> - WHITE <b>SV</b> - SILVER <b>CF</b> - CUSTOM  Housing interior & exterior will be powder coated the same color	<b>CDF</b> - CONDUIT FEED <b>2C</b> - 2 CIRCUIT <b>HXB50</b> - BLACK HEXCELL LOUVER <b>LS50</b> - LINEAR SPREAD <b>SB50</b> - SANDBLASTED LENS <b>SF50</b> - SOFTENING LENS  Maximum 2 optical accessories. See optical accessories page for more options

<sup>1</sup> 97+ CRI available in 30K and 35K as standard  
<sup>2</sup> Forward Phase/Reverse Phase driver available in 120V only

OCTOBER 26, 2022





**3G-SM2M5**

LIGHTING 2 LIGHT MINI MADISON - SURFACE MOUNTED

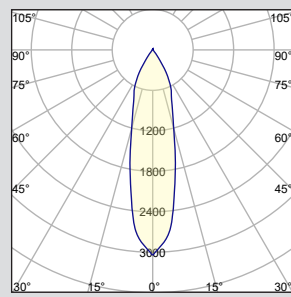
**PERFORMANCE CHART** BASED ON 60° BEAM ANGLE AND 3500K SOURCE (PER FIXTURE HEAD)

LUMEN OUTPUT	80+ CRI			90+ CRI			97+ CRI		
	DELIVERED LUMENS	SYSTEM WATTS	EFFICACY (LPW)	DELIVERED LUMENS	SYSTEM WATTS	EFFICACY (LPW)	DELIVERED LUMENS	SYSTEM WATTS	EFFICACY (LPW)
<b>1000LMs</b>	1015	10.2	100	893	10.2	88	833	10.0	82
<b>1500LMs</b>	1400	13.9	101	1232	13.9	89	1148	13.9	83
<b>2200LMs</b>	2194	22.0	100	1931	22.0	88	1799	22.0	82

LUMEN OUTPUT ADJUSTMENT FACTORS	CCT	Multiplier
	2700K	0.945
	3000K	0.985
	3500K	1.00
4000K	1.01	

**PHOTOMETRY** (PER FIXTURE HEAD)

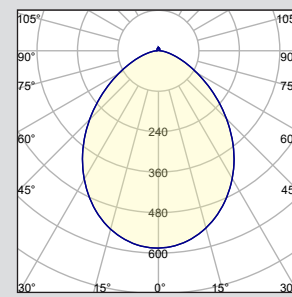
**20D - 20° BEAM ANGLE**



**3G-SM2M5-15-S80-35K-20D**

LUMEN OUTPUT: 1500LMs  
 DELIVERED LUMENS: 1122LMs  
 SYSTEM WATTS: 13.9W  
 EFFICACY: 79LPW  
 CRI: 80+  
 CCT: 3500K

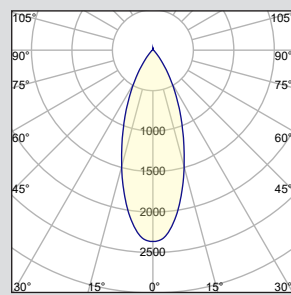
**90D - 90° BEAM ANGLE**



**3G-SM2M5-15-S80-35K-90D**

LUMEN OUTPUT: 1500LMs  
 DELIVERED LUMENS: 1324LMs  
 SYSTEM WATTS: 13.9W  
 EFFICACY: 93LPW  
 CRI: 80+  
 CCT: 3500K

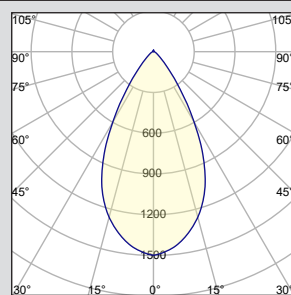
**40D - 40° BEAM ANGLE**



**3G-SM2M5-15-S80-35K-40D**

LUMEN OUTPUT: 1500LMs  
 DELIVERED LUMENS: 1343LMs  
 SYSTEM WATTS: 13.9W  
 EFFICACY: 97LPW  
 CRI: 80+  
 CCT: 3500K

**60D - 60° BEAM ANGLE**



**3G-SM2M5-15-S80-35K-60D**

LUMEN OUTPUT: 1500LMs  
 DELIVERED LUMENS: 1400LMs  
 SYSTEM WATTS: 13.9W  
 EFFICACY: 101LPW  
 CRI: 80+  
 CCT: 3500K





**3G-SM2M5**

LIGHTING 2 LIGHT MINI MADISON - SURFACE MOUNTED

## TECHNICAL

### HOUSING

- Extruded aluminum housing with fabricated mitered corners
- Housing design features a beveled edge with no visible hardware
- Integral driver compartment fabricated in cold rolled steel
- Standard polyester powder coated interior and exterior available in matte white, matte black, and matte silver

### ADJUSTABILITY

- Solid aluminum, 50mm machined double gimbals with dual axis adjustability (35°x35°)
- Each double gimbal can be locked into place

### OPTICS

- Regressed LED source for enhanced glare control
- Proprietary, high performance, anodized aluminum reflectors. Field replaceable (20° reflector not interchangeable)
- Available in 20°, 40°, 60°, and 90°
- Fixture head designed to accept 2 optical accessories

### ELECTRICAL

- Standard 0-10V, constant current drivers with 100-1% dimming range and >0.9 power factor
- Standard 120/277V universal voltage drivers
- 120V Forward Phase/Reverse Phase driver option with 100-1% dimming range
- All drivers are integral and easily accessible through the top of the fixture housing

### LED SYSTEM

- Citizen LED module (field replaceable)
- Color consistency <2 SDCM
- Standard (80+ CRI). Optional (90+ and 97+ CRI)
- Available in 27K, 30K, 35K, and 40K
- L90 >50,000 hours
- 5 Year Warranty

### MOUNTING

- Suitable for surface mounted applications
- Suitable for drywall, concrete, wood, grid ceiling, and other architectural ceilings
- Fixture mounts to a standard junction box
- Optional conduit feed available

### LISTING

- ETL listed and conforms to UL1598 standard. Certified to CSA22.2 NO.250.0. Rated for indoor dry or damp locations

### WARRANTY

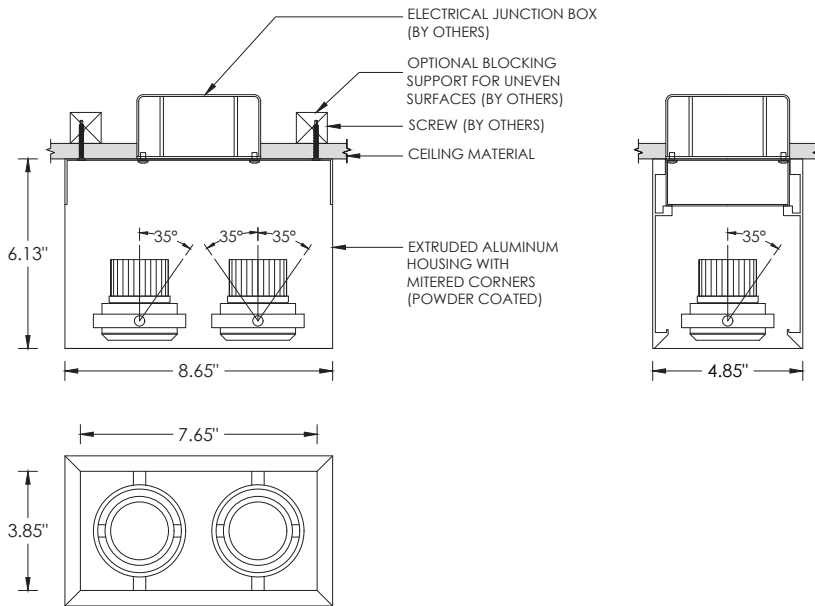
- 5 Year Warranty on LED and drivers
- Manufacturer 1 Year Warranty for defects in material and workmanship under normal use
- Ambient temperature at fixture should not exceed 25°C

# 3G

## 3G-SM2M5

LIGHTING 2 LIGHT MINI MADISON - SURFACE MOUNTED

### DRAWINGS AND DIMENSIONS STANDARD JUNCTION BOX



### DRAWINGS AND DIMENSIONS CONDUIT FEED OPTION

