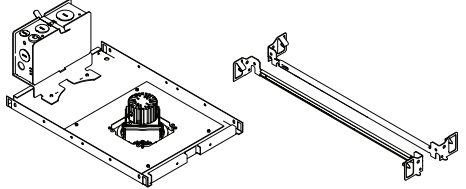
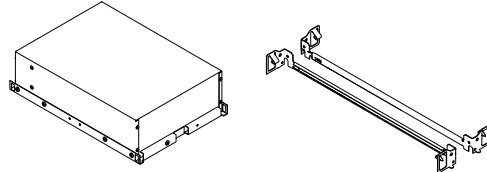
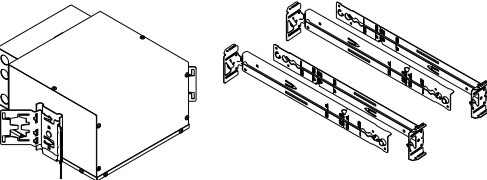


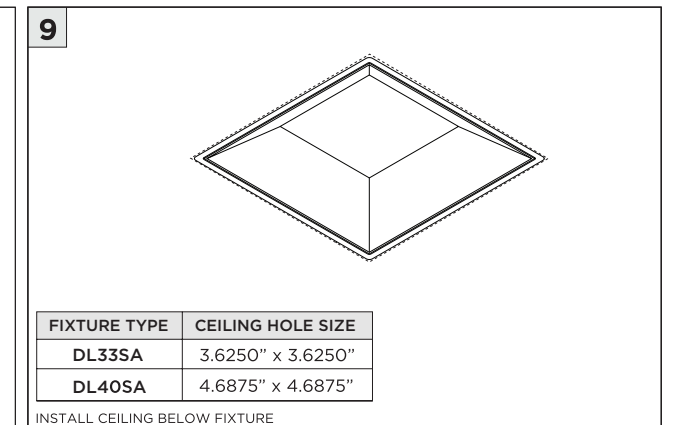
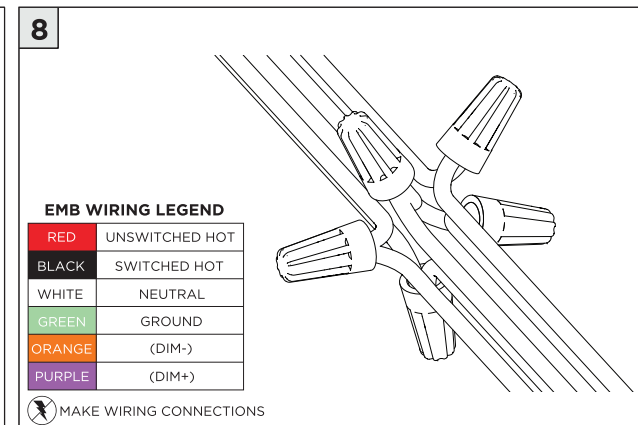
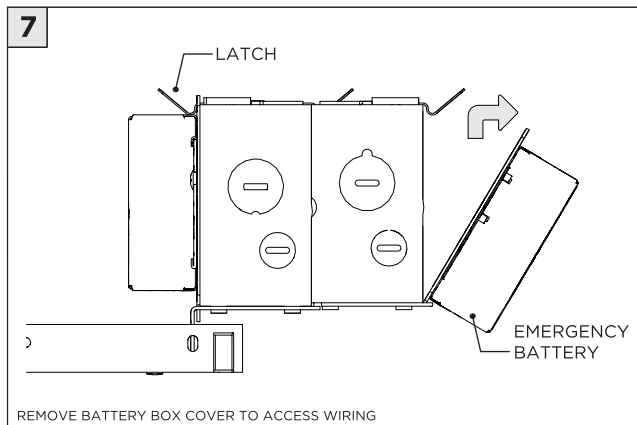
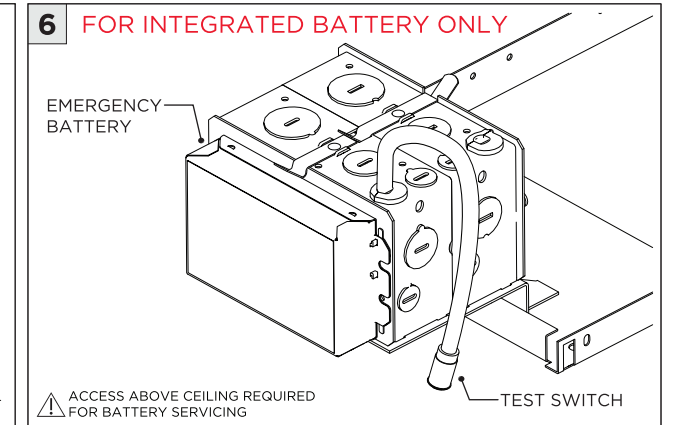
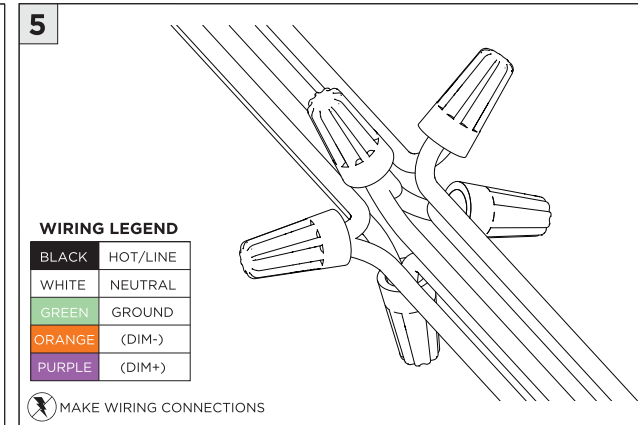
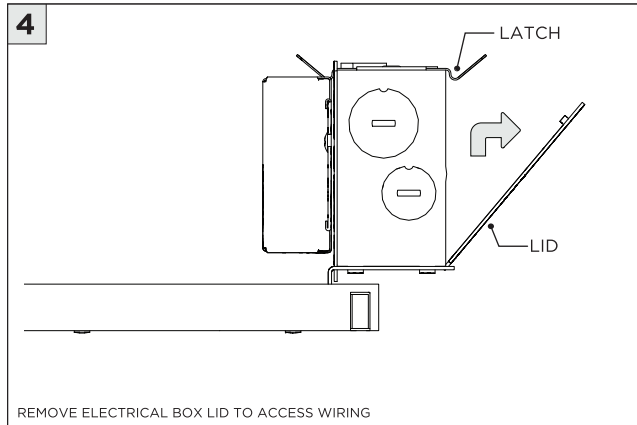
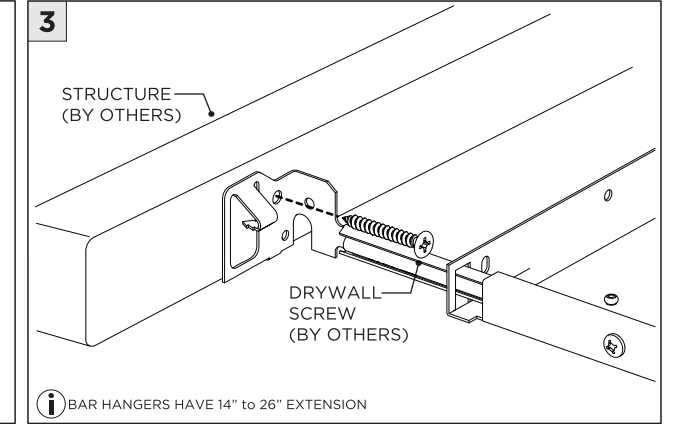
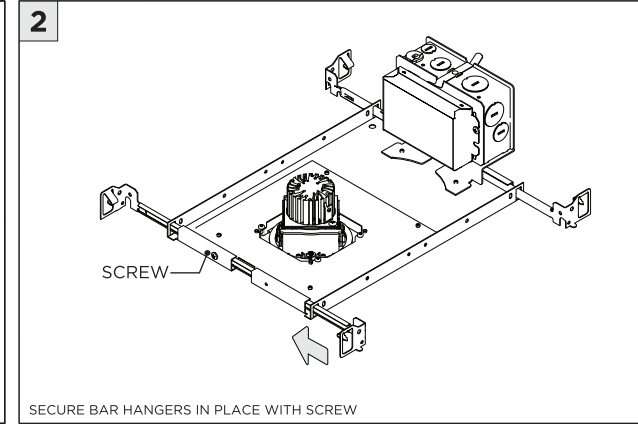
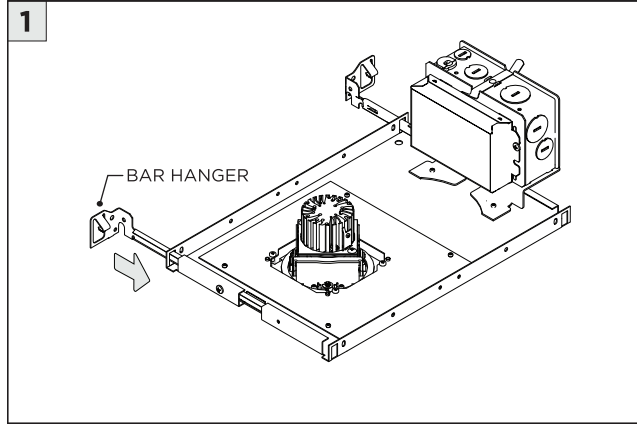


i THE IMAGES SHOWN ARE FOR ILLUSTRATION PURPOSES ONLY AND MAY NOT BE AN EXACT REPRESENTATION OF THE PRODUCT

| INCLUDED COMPONENTS | |
|--|--|
| <p>NCF - NEW CONSTRUCTION FRAME (FOR NEW CONSTRUCTION ONLY)</p>  <p>NEW CONSTRUCTION FRAME + LED ASSEMBLY BAR HANGERS</p> | <p>SH - SHALLOW HOUSING (FOR NEW CONSTRUCTION ONLY)</p>  <p>NEW CONSTRUCTION FRAME + LED ASSEMBLY BAR HANGERS</p> |
| <p>NC/IC - NEW CONSTRUCTION HOUSING (FOR NEW CONSTRUCTION ONLY)</p>  <p>NEW CONSTRUCTION FRAME + LED ASSEMBLY BAR HANGERS (OPTIONAL)</p> | |

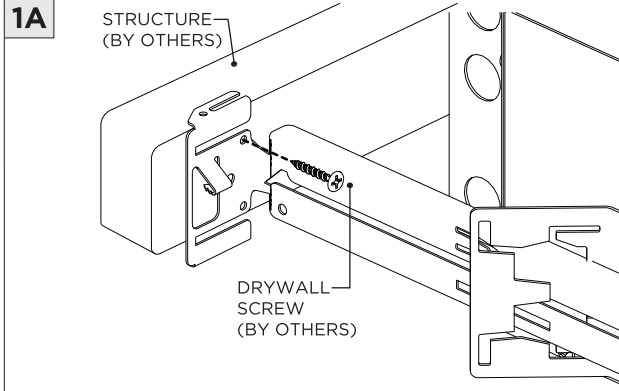
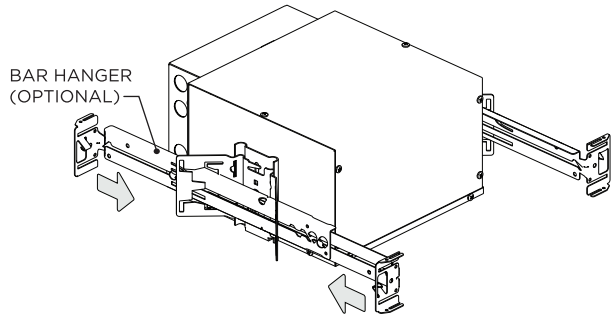
| INSTRUCTION KEY | INFORMATION |
|-----------------|---|
| | ADDITIONAL |
| | ATTENTION |
| | POWER ON |
| | POWER OFF |
| | <p>INSTALLATION SHOULD ONLY BE PERFORMED BY A CERTIFIED ELECTRICIAN REFER TO LOCAL/NATIONAL CODES FOR PROPER INSTALLATION FAILURE TO FOLLOW INSTALLATION INSTRUCTION MAY VOID THE WARRANTY DO NOT TOUCH LEDS. LEDS MUST BE PROTECTED FROM MECHANICAL STRESS OR DEBRIS TURN OFF POWER DURING INSTALLATION OR SERVICING</p> |

NCF - NEW CONSTRUCTION FRAME (FOR NEW CONSTRUCTION ONLY)

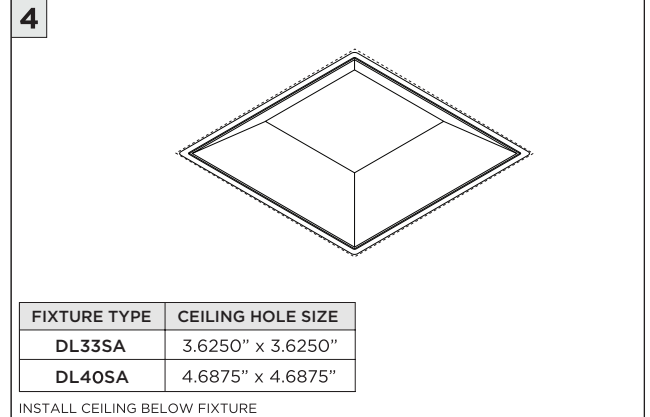
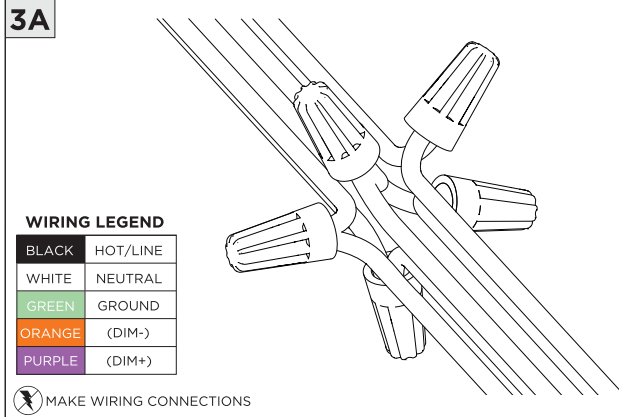
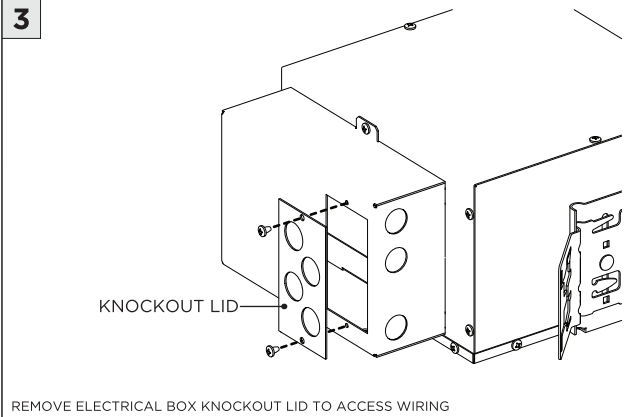
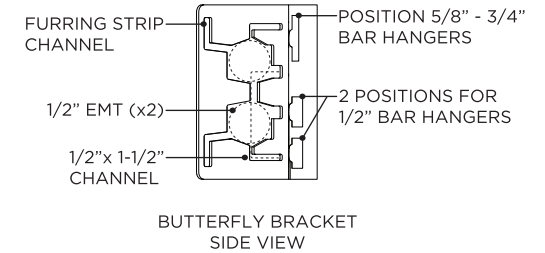


NC/IC - NEW CONSTRUCTION HOUSING (FOR NEW CONSTRUCTION ONLY)

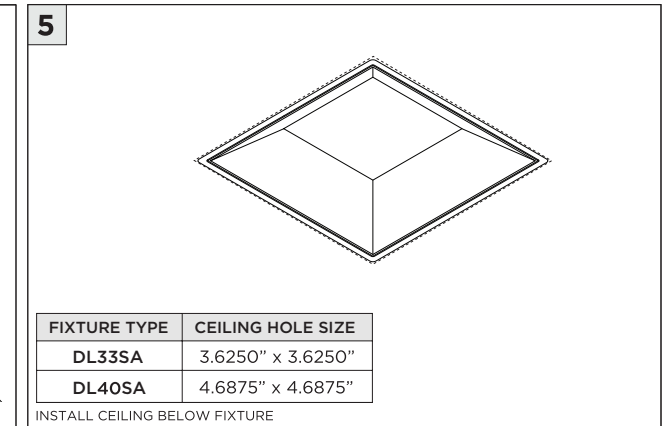
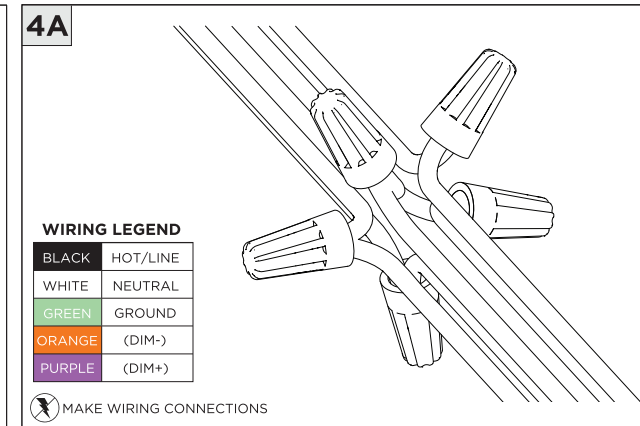
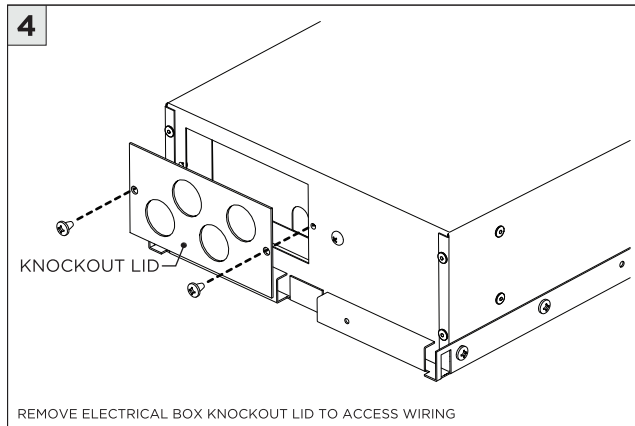
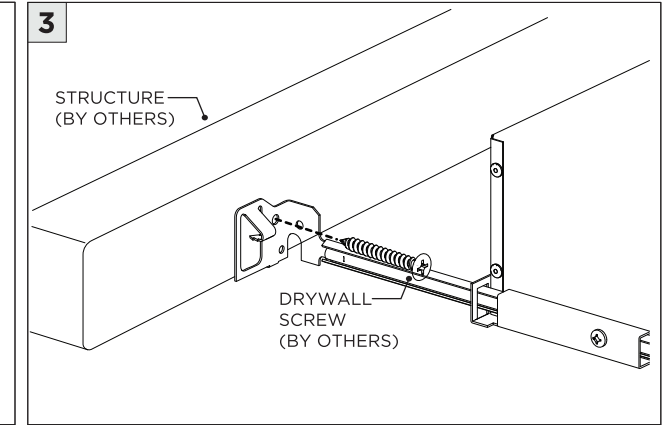
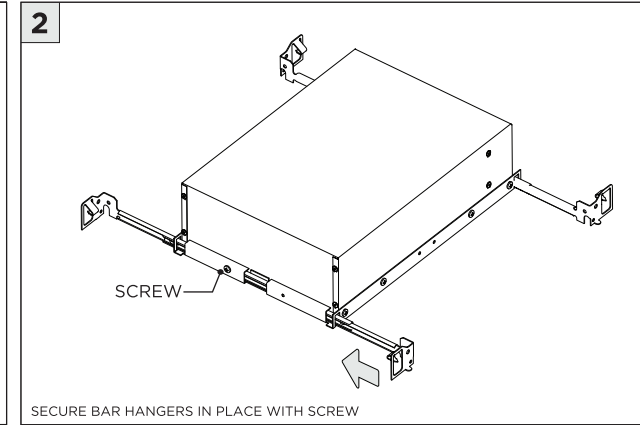
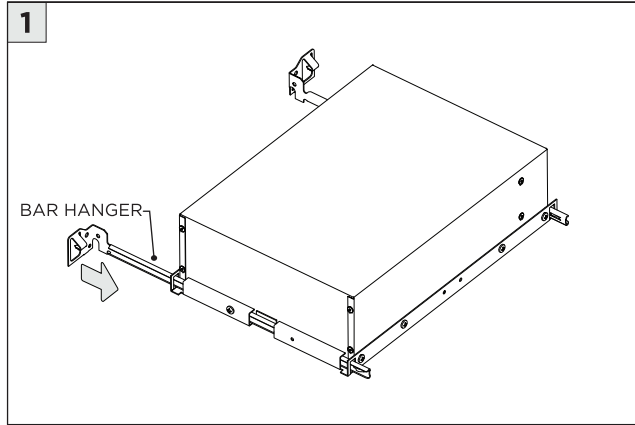
1 BAR HANGER INSTALLATION
(IF SUPPLIED BY 3G)



2 OTHER BAR HANGER INSTALLATION
(NOT PROVIDED BY 3G)

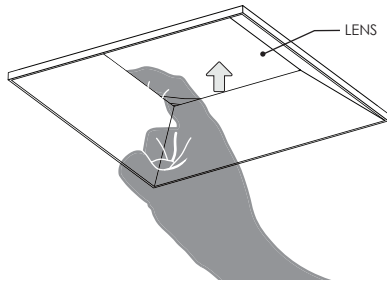


SH - SHALLOW HOUSING (FOR NEW CONSTRUCTION ONLY)



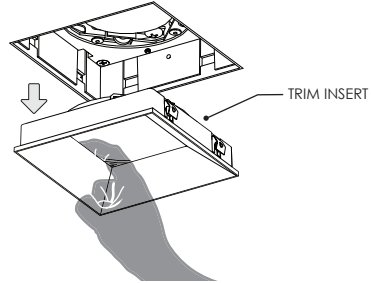
ADJUSTING LED ANGLE

1

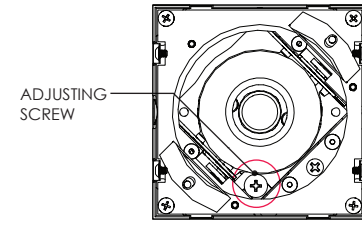


LIFT LENS AND DETACH INSERT FROM ADAPTER RING

1A

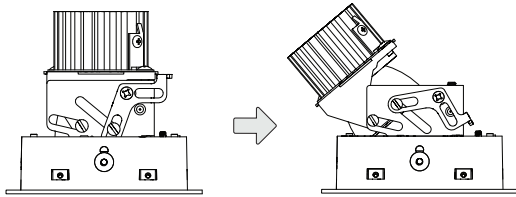


2

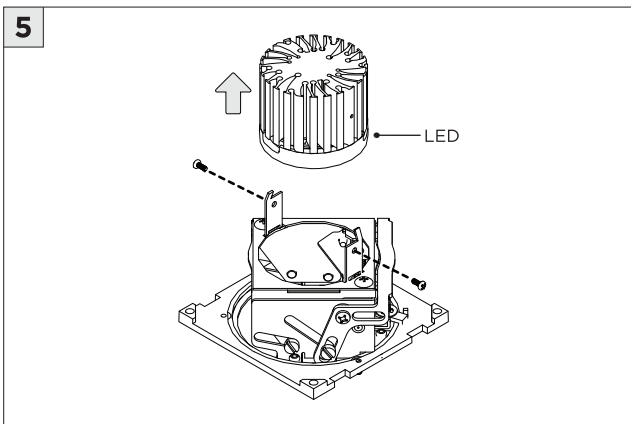
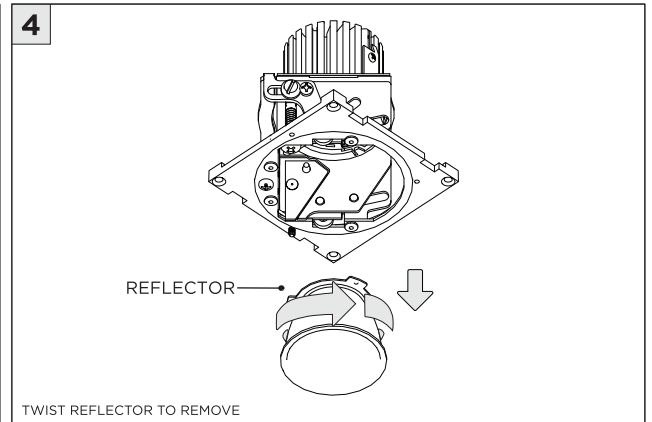
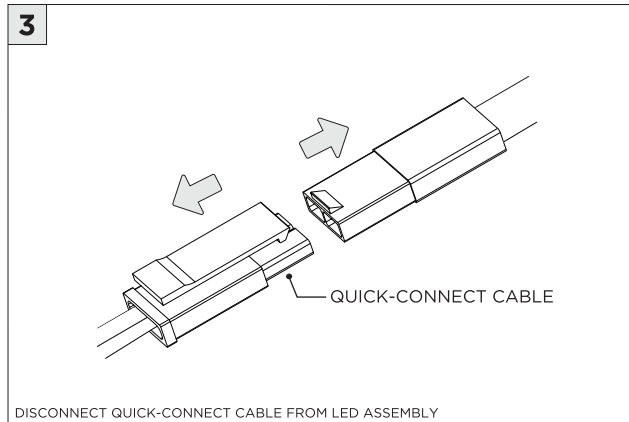
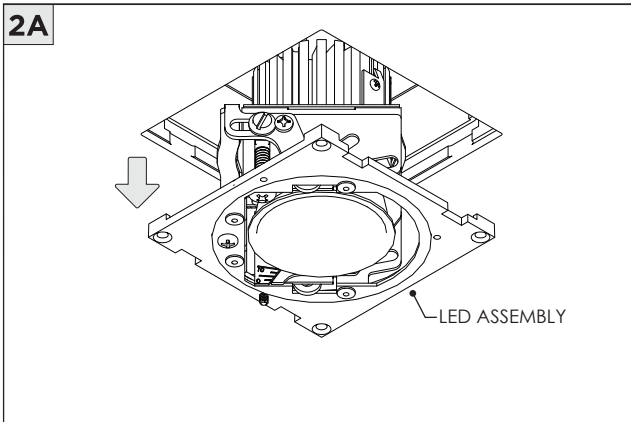
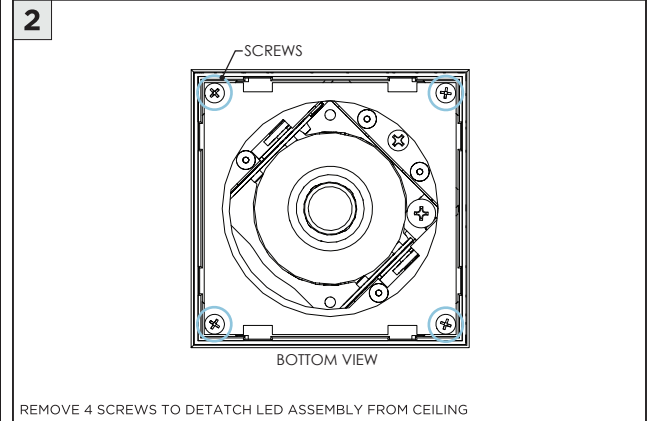
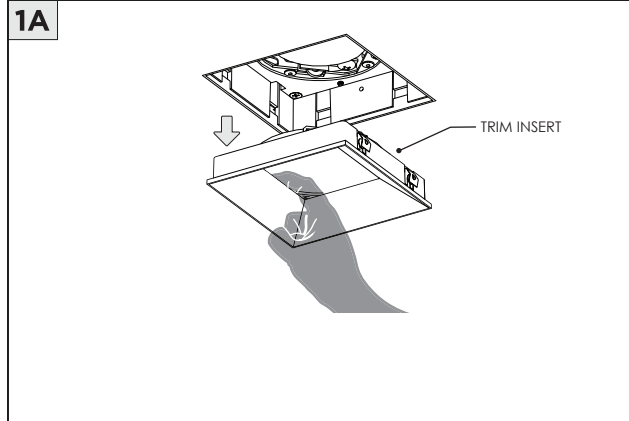
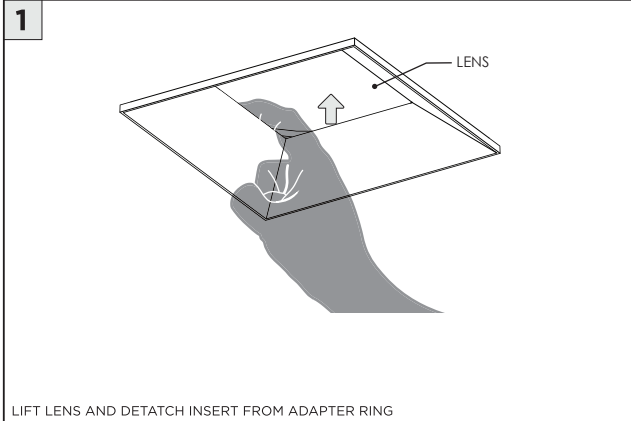


BOTTOM VIEW

2A

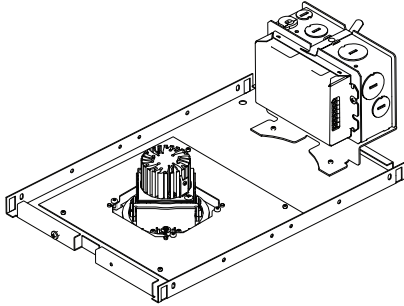


LED SERVICING



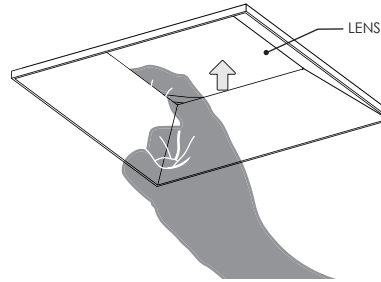
DRIVER SERVICING

1 NCF - NEW CONSTRUCTION FRAME



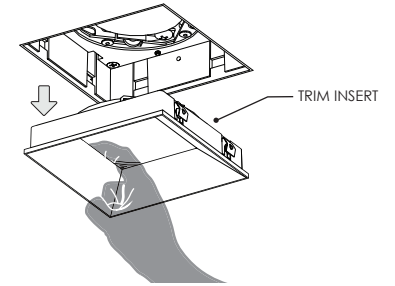
DISCONNECT POWER BEFORE SERVICING

2

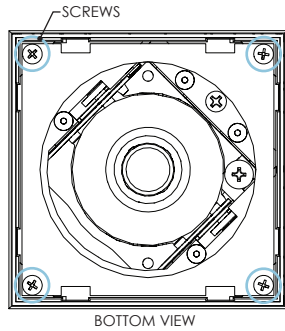


LIFT LENS AND DETACH INSERT FROM ADAPTER RING

2A

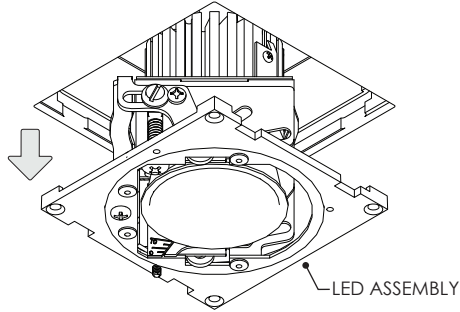


3

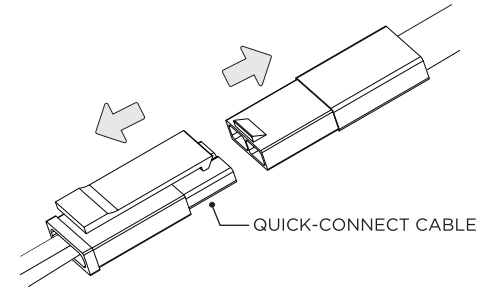


REMOVE 4 SCREWS TO DETACH LED ASSEMBLY FROM CEILING

4

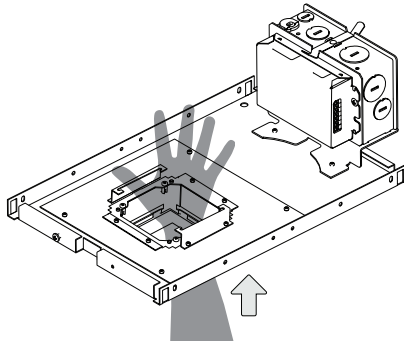


5

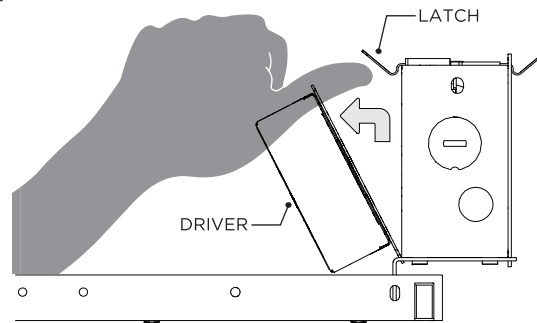


DISCONNECT QUICK-CONNECT CABLE FROM LED ASSEMBLY

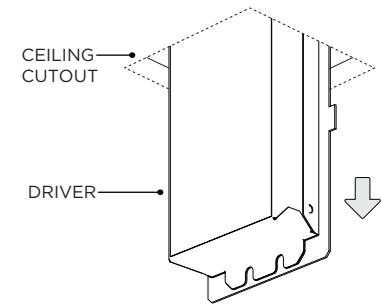
6

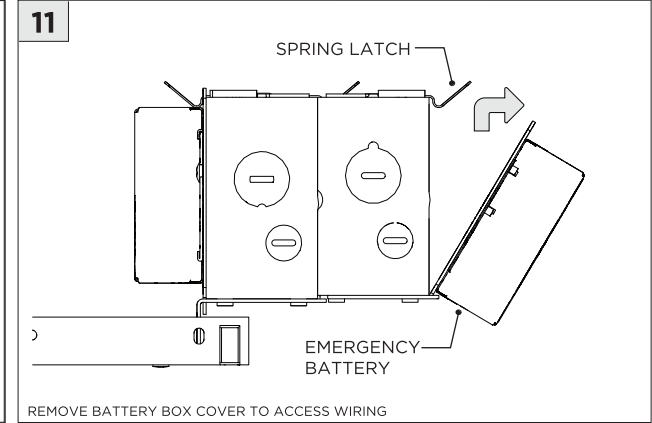
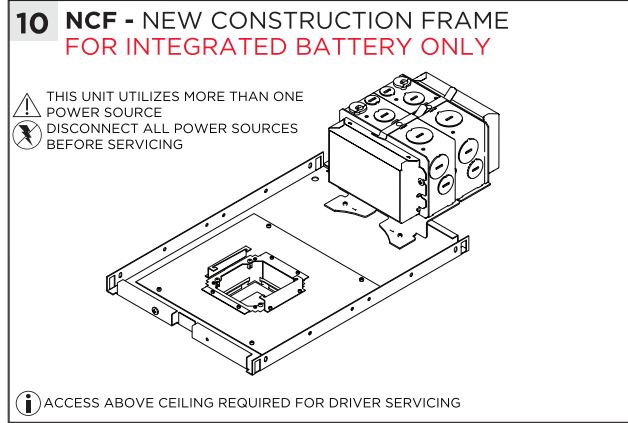
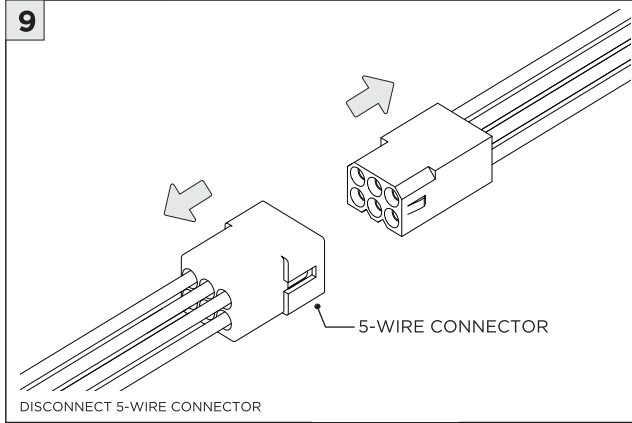


7



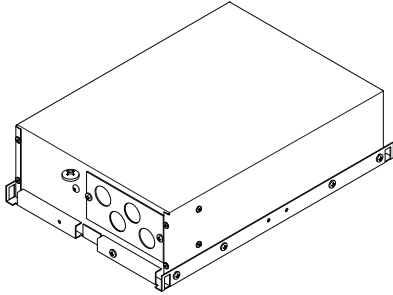
8





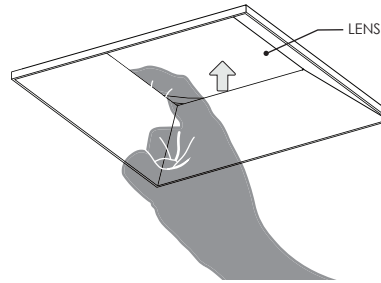
DRIVER SERVICING

1 SH - SHALLOW HOUSING



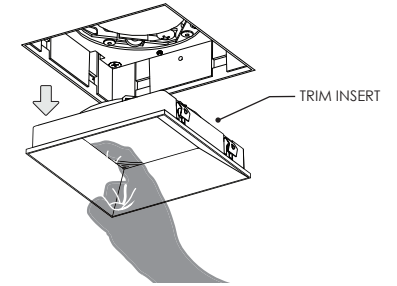
DISCONNECT POWER BEFORE SERVICING

2

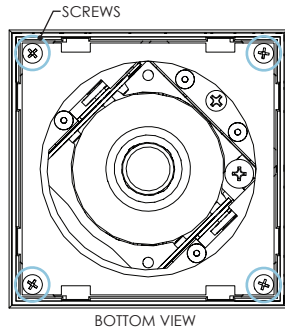


LIFT LENS AND DETACH INSERT FROM ADAPTER RING

2A

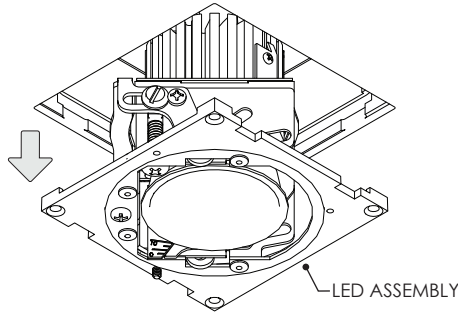


3

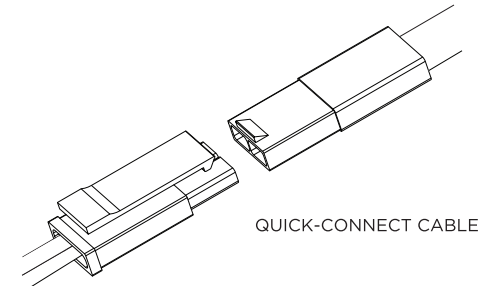


REMOVE 4 SCREWS TO DETATCH LED ASSEMBLY FROM CEILING

4

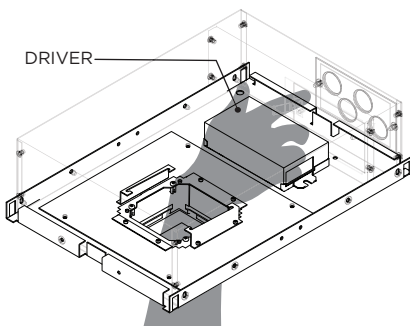


5



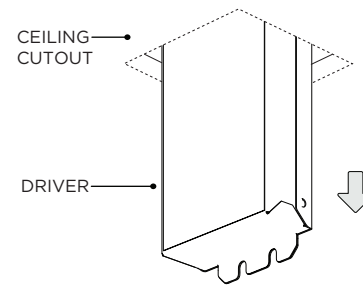
DISCONNECT QUICK-CONNECT CABLE FROM LED ASSEMBLY

6

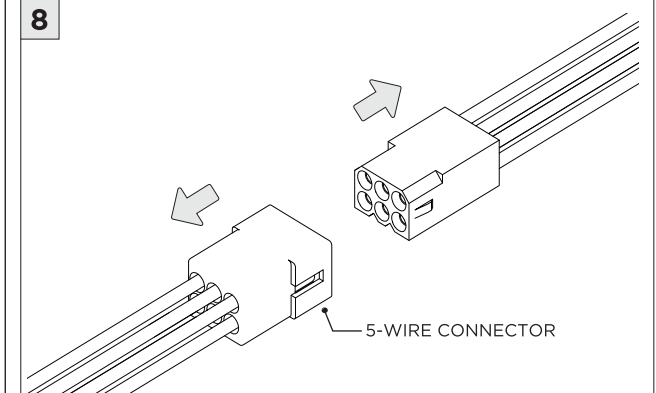


REMOVE DRIVER - SECURED WITH HOOK-AND-LOOP FASTENER

7



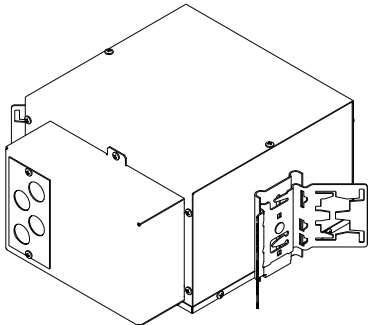
8



DISCONNECT 5-WIRE CONNECTOR

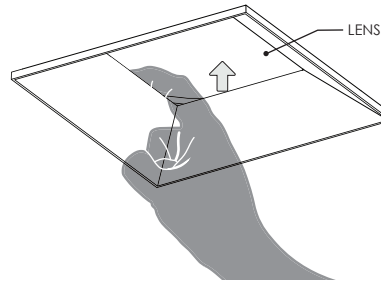
DRIVER SERVICING

1 NC/iC - NEW CONSTRUCTION HOUSING



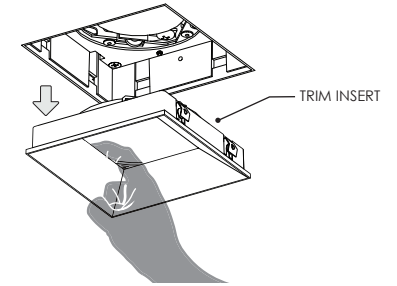
DISCONNECT POWER BEFORE SERVICING

2

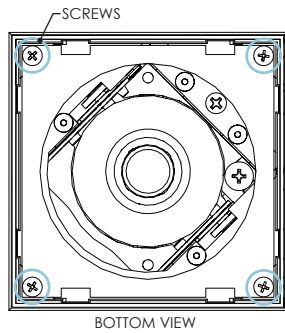


LIFT LENS AND DETACH INSERT FROM ADAPTER RING

2A

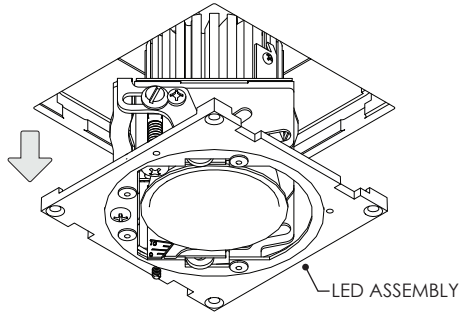


3

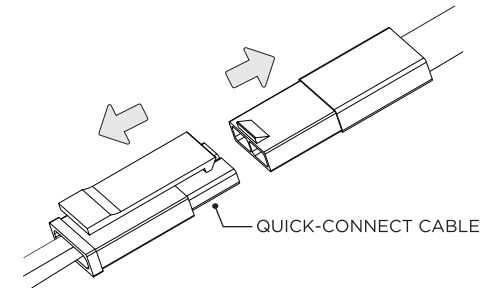


REMOVE 4 SCREWS TO DETATCH LED ASSEMBLY FROM CEILING

4

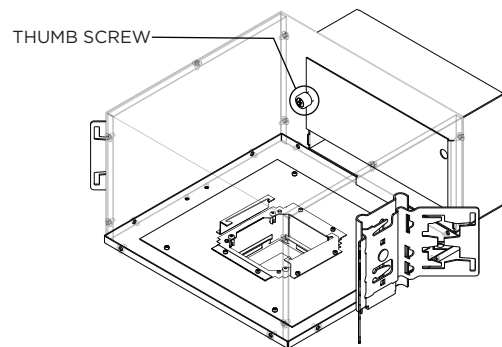


5

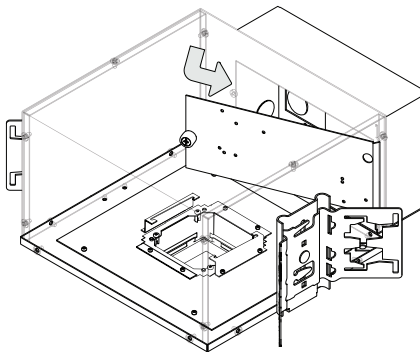


DISCONNECT QUICK-CONNECT CABLE FROM LED ASSEMBLY

6



7



8

