

3.3"/4.0" SQUARE ADJUSTABLE DOWNLIGHT TRIM



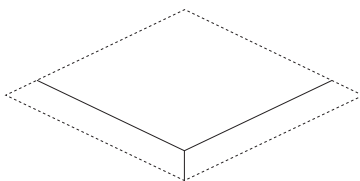
i THE IMAGES SHOWN ARE FOR ILLUSTRATION PURPOSES ONLY AND MAY NOT BE AN EXACT REPRESENTATION OF THE PRODUCT

INCLUDED COMPONENTS	
<p>RMD - REMODEL</p> <p>LED INSERT CEILING PLATE DRIVER ENCLOSURE</p>	<p>NCF - NEW CONSTRUCTION FRAME (FOR NEW CONSTRUCTION ONLY)</p> <p>LED INSERT NEW CONSTRUCTION FRAME BAR HANGERS</p>
<p>SH - SHALLOW HOUSING (FOR NEW CONSTRUCTION ONLY)</p> <p>LED INSERT SHALLOW HOUSING BAR HANGERS</p>	<p>NC/IC - NEW CONSTRUCTION HOUSING (FOR NEW CONSTRUCTION ONLY)</p> <p>LED INSERT NEW CONSTRUCTION HOUSING BAR HANGERS (OPTIONAL)</p>

INSTRUCTION KEY	INFORMATION
	ADDITIONAL INSTALLATION SHOULD ONLY BE PERFORMED BY A CERTIFIED ELECTRICIAN
	ATTENTION REFER TO LOCAL/NATIONAL CODES FOR PROPER INSTALLATION FAILURE TO FOLLOW INSTALLATION INSTRUCTION MAY VOID THE WARRANTY
	POWER ON DO NOT TOUCH LEADS. LEADS MUST BE PROTECTED FROM MECHANICAL STRESS OR DEBRIS
	POWER OFF TURN OFF POWER DURING INSTALLATION OR SERVICING

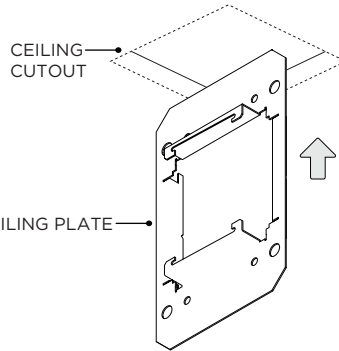
RMD - REMODEL

1



FIXTURE TYPE	CEILING HOLE SIZE
DL33SA	3.9375" x 3.9375"
DL40SA	4.6875" x 4.6875"

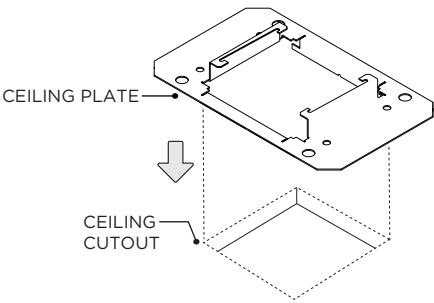
2



CEILING CUTOUT

CEILING PLATE

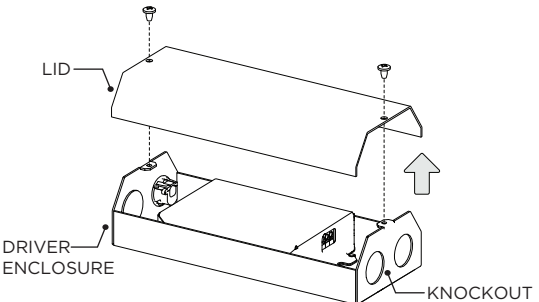
3



CEILING PLATE

CEILING CUTOUT

4



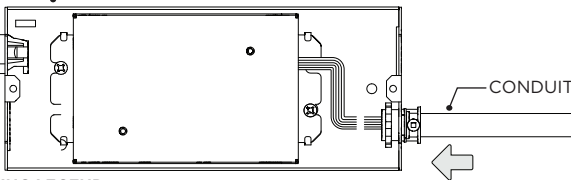
LID

DRIVER ENCLOSURE

KNOCKOUT

REMOVE LID AND KNOCKOUT FROM DRIVER ENCLOSURE

5



DRIVER ENCLOSURE

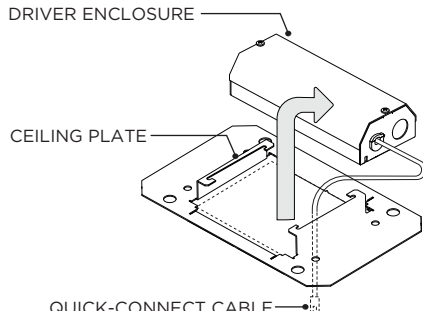
CONDUIT

WIRING LEGEND

BLACK	HOT/LINE
WHITE	NEUTRAL
GREEN	GROUND
ORANGE	(DIM-)
PURPLE	(DIM+)

CONNECT CONDUIT TO DRIVER ENCLOSURE AND MAKE WIRING CONNECTIONS

6



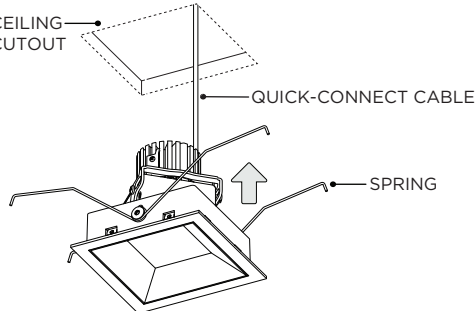
DRIVER ENCLOSURE

CEILING PLATE

QUICK-CONNECT CABLE

SECURE LID ONTO DRIVER ENCLOSURE AND PLACE ABOVE CEILING

7



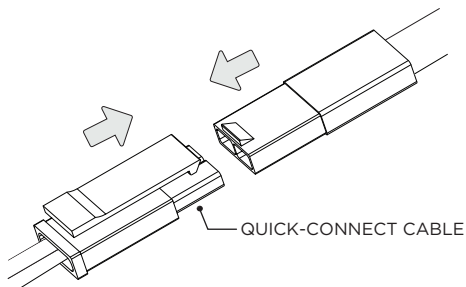
CEILING CUTOUT

QUICK-CONNECT CABLE

SPRING

INSERT LED ASSEMBLY INTO CEILING

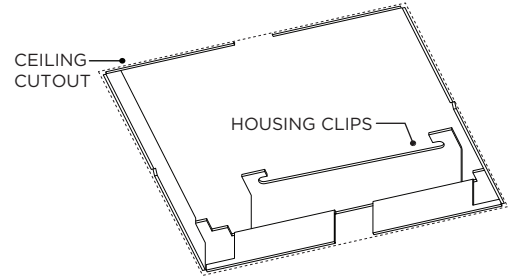
7A



QUICK-CONNECT CABLE

CONNECT QUICK-CONNECT CABLE TO LED ASSEMBLY

7B

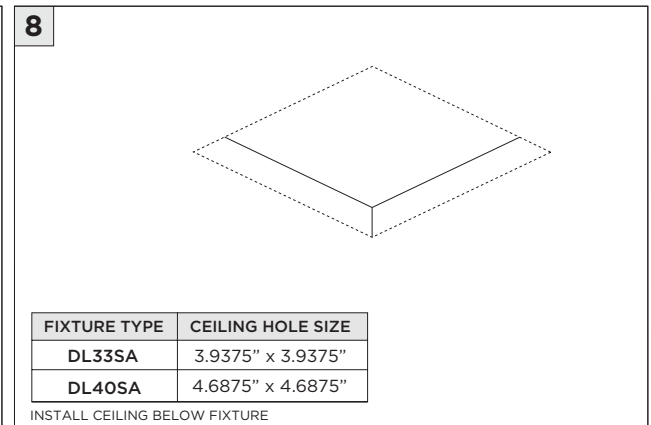
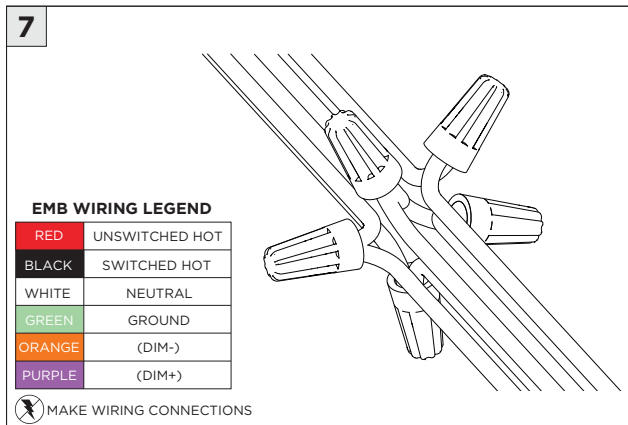
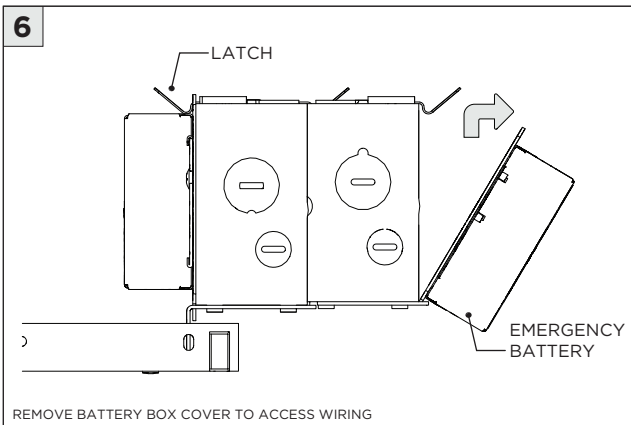
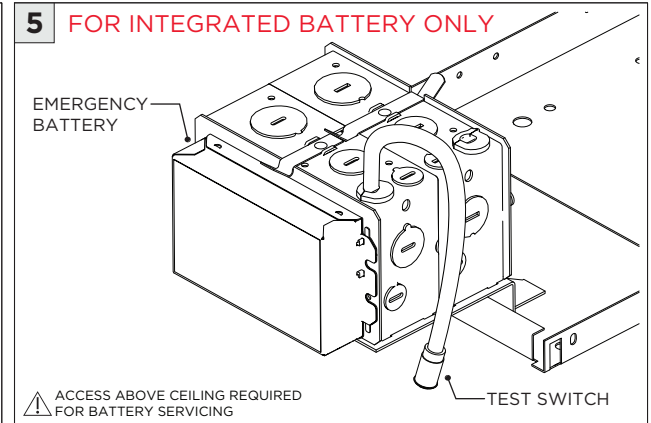
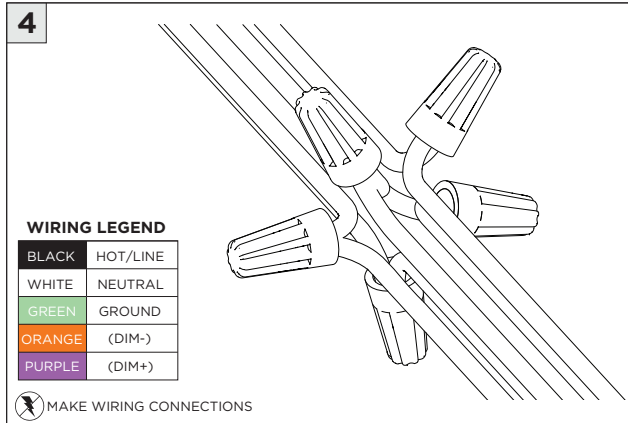
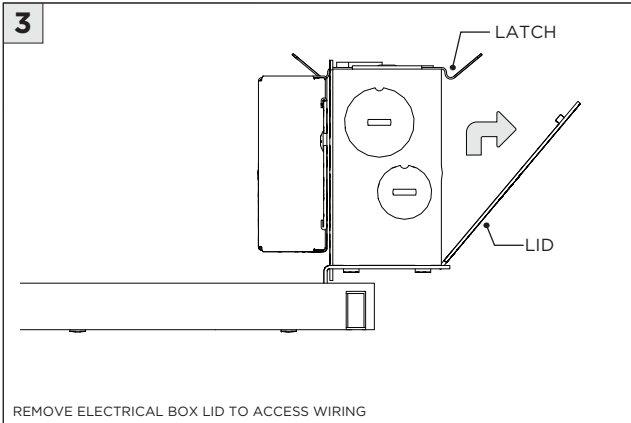
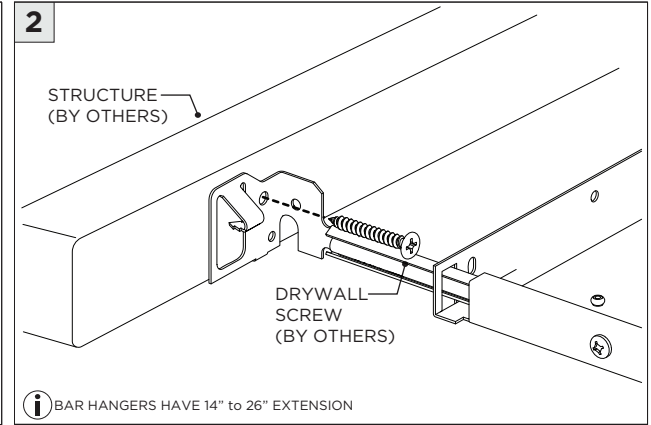
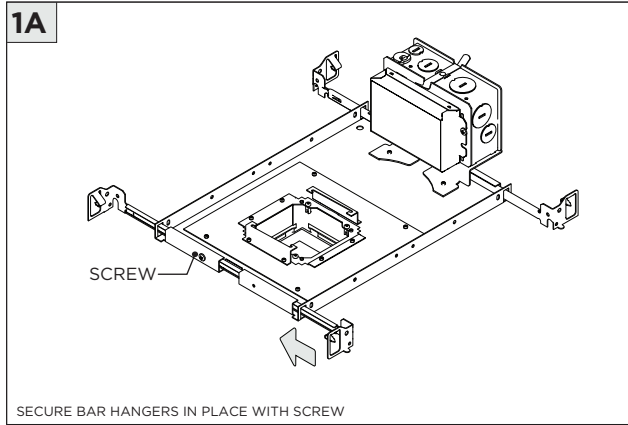
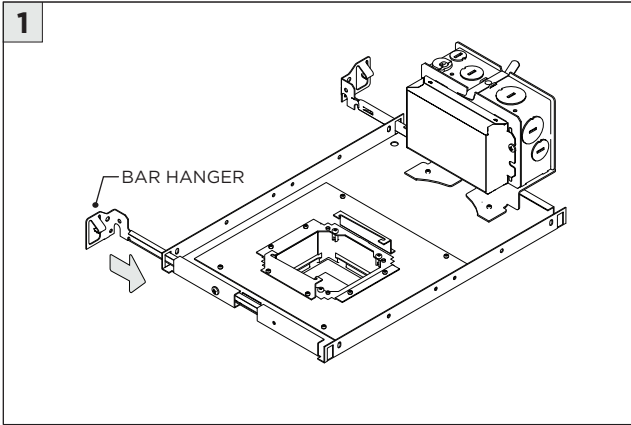


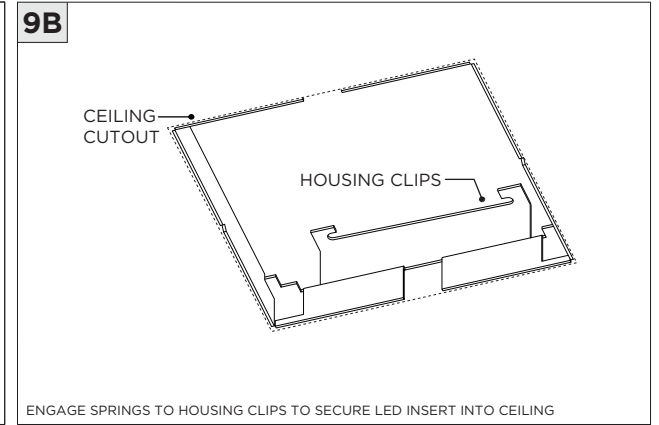
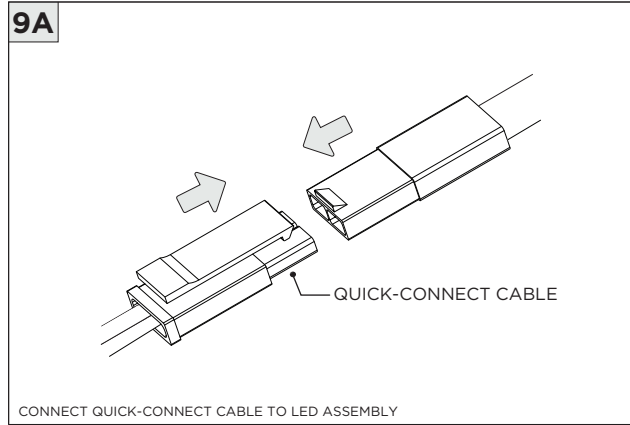
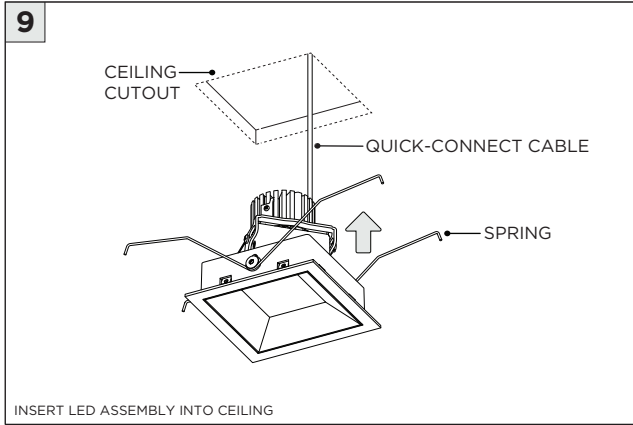
CEILING CUTOUT

HOUSING CLIPS

ENGAGE SPRINGS TO HOUSING CLIPS TO SECURE LED INSERT INTO CEILING

NCF - NEW CONSTRUCTION FRAME (FOR NEW CONSTRUCTION ONLY)





NC/IC - NEW CONSTRUCTION HOUSING (FOR NEW CONSTRUCTION ONLY)

1 BAR HANGER INSTALLATION
(IF SUPPLIED BY 3G)

BAR HANGER (OPTIONAL)

BUTTERFLY BRACKET

1A

STRUCTURE (BY OTHERS)

DRYWALL SCREW (BY OTHERS)

2 OTHER BAR HANGER INSTALLATION
(NOT PROVIDED BY 3G)

FURRING STRIP CHANNEL

1/2" EMT (x2)

1/2"x 1-1/2" CHANNEL

POSITION 5/8" - 3/4" BAR HANGERS

2 POSITIONS FOR 1/2" BAR HANGERS

BUTTERFLY BRACKET SIDE VIEW

3

KNOCKOUT LID

REMOVE ELECTRICAL BOX KNOCKOUT LID TO ACCESS WIRING

3A

WIRING LEGEND

BLACK	HOT/LINE
WHITE	NEUTRAL
GREEN	GROUND
ORANGE	(DIM-)
PURPLE	(DIM+)

MAKE WIRING CONNECTIONS

4

FIXTURE TYPE	CEILING HOLE SIZE
DL33SA	3.9375" x 3.9375"
DL40SA	4.6875" x 4.6875"

INSTALL CEILING BELOW FIXTURE

5

CEILING CUTOUT

QUICK-CONNECT CABLE

SPRING

INSERT LED ASSEMBLY INTO CEILING

5A

QUICK-CONNECT CABLE

CONNECT QUICK-CONNECT CABLE TO LED ASSEMBLY

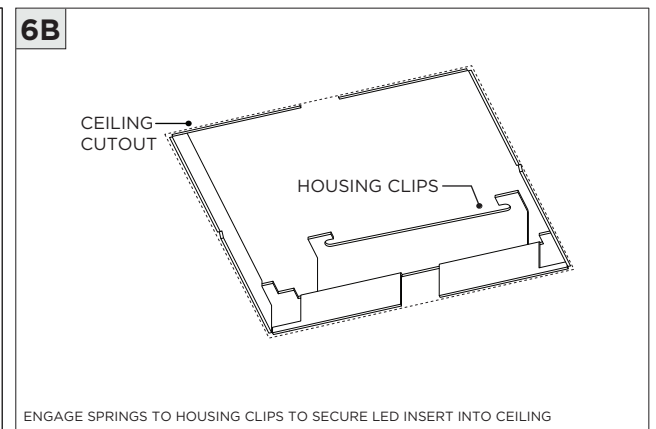
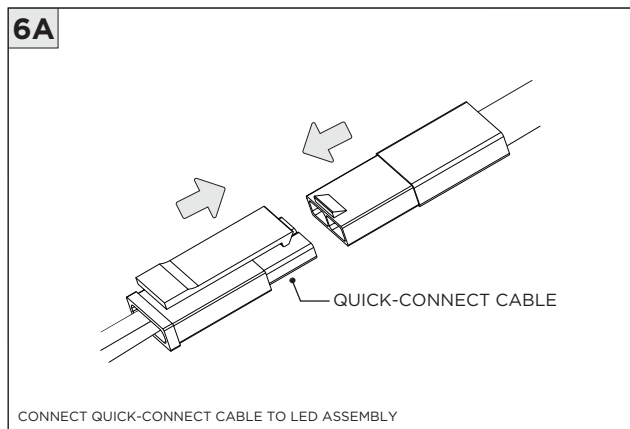
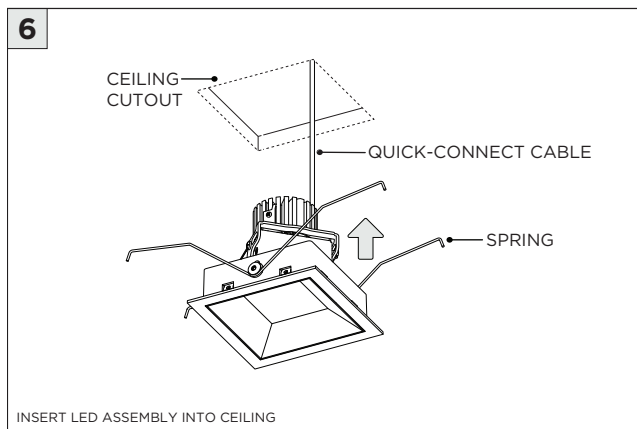
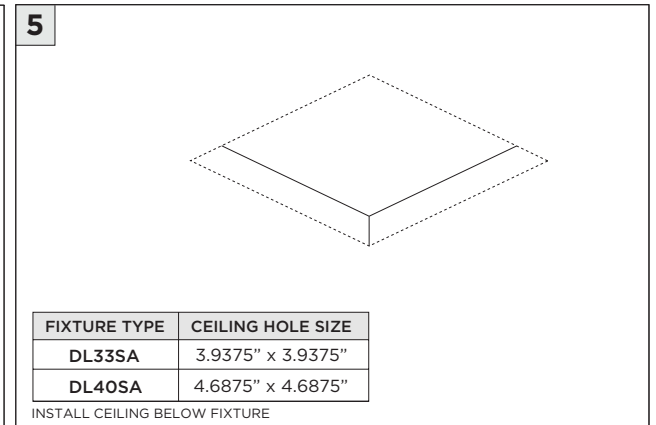
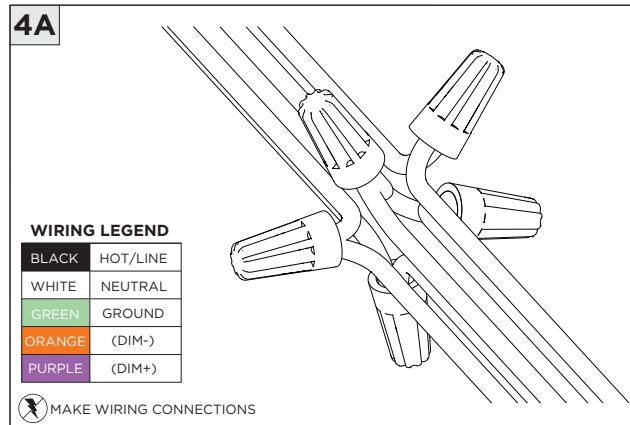
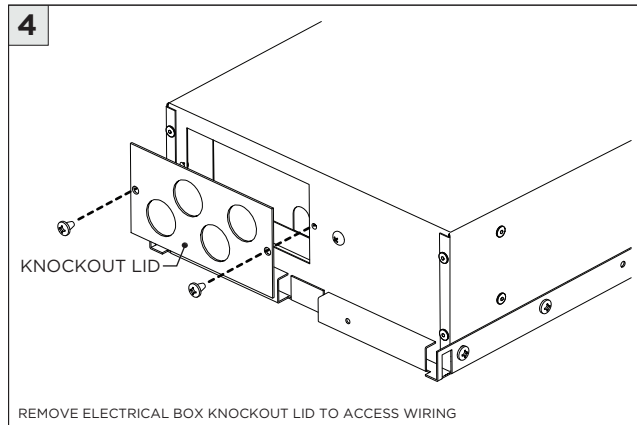
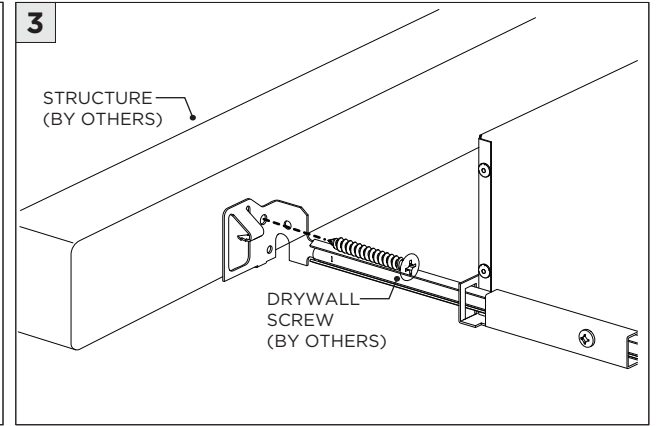
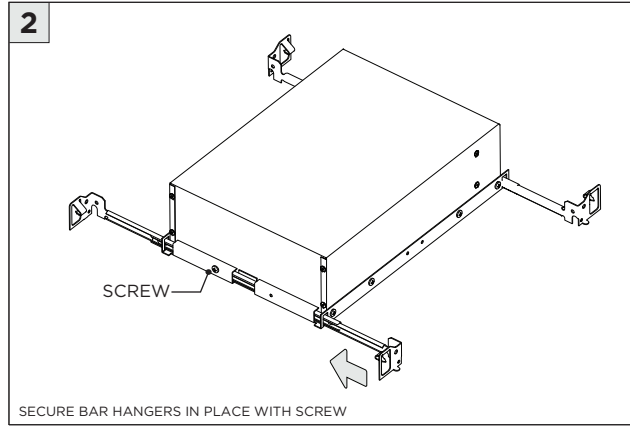
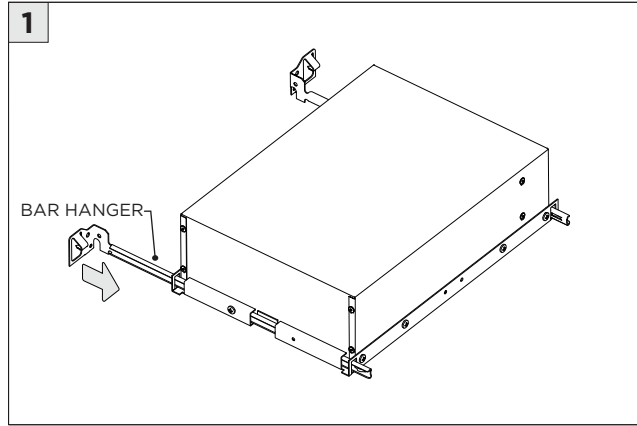
5B

CEILING CUTOUT

HOUSING CLIPS

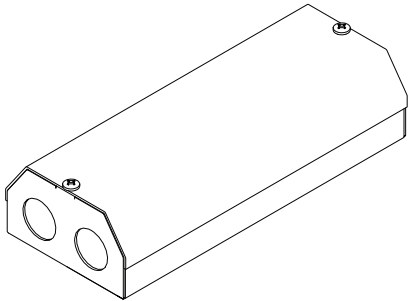
ENGAGE SPRINGS TO HOUSING CLIPS TO SECURE LED INSERT INTO CEILING

SH - SHALLOW HOUSING (FOR NEW CONSTRUCTION ONLY)



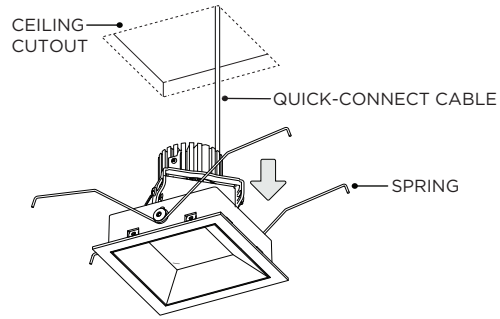
DRIVER SERVICING

1 RMD - REMODEL



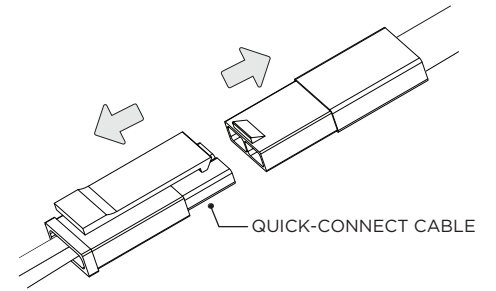
 DISCONNECT POWER BEFORE SERVICING

2



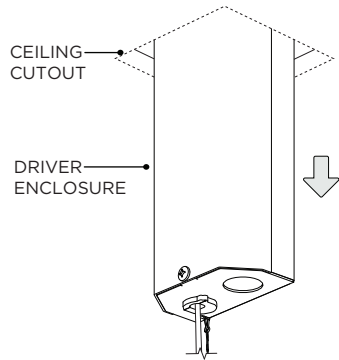
REMOVE LED ASSEMBLY FROM CEILING

2A

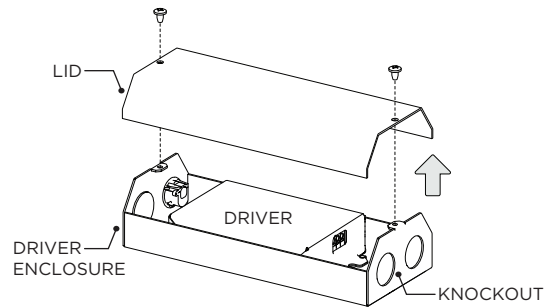


DISCONNECT QUICK-CONNECT CABLE FROM LED ASSEMBLY

3

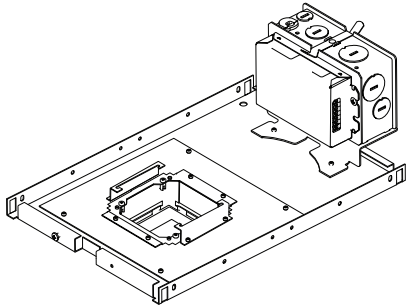


4



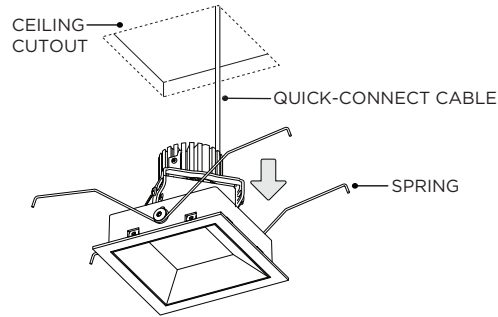
DRIVER SERVICING

1 NCF - NEW CONSTRUCTION FRAME



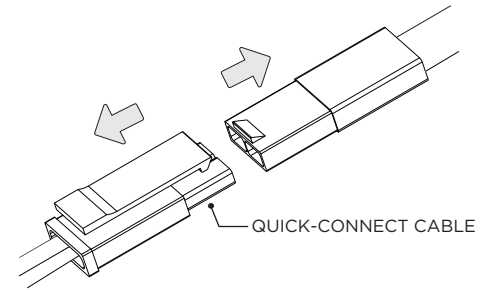
⚡ DISCONNECT POWER BEFORE SERVICING

2



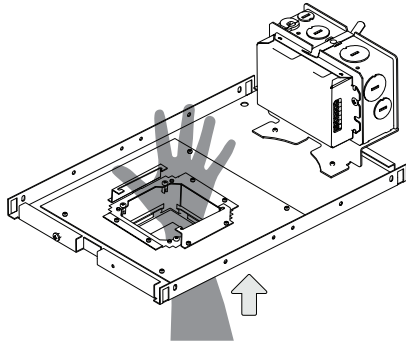
REMOVE LED ASSEMBLY FROM CEILING

2A

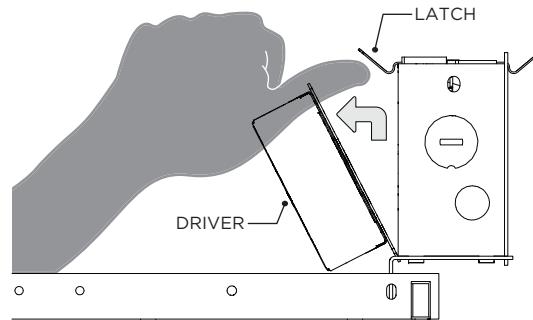


DISCONNECT QUICK-CONNECT CABLE FROM LED ASSEMBLY

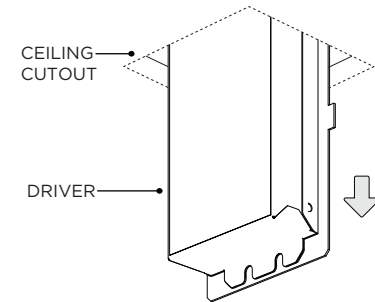
3



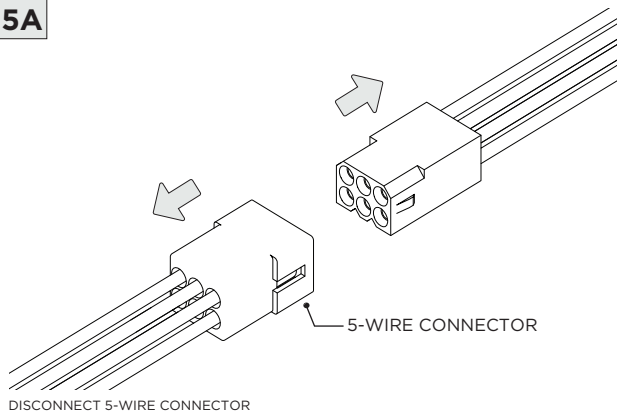
4



5



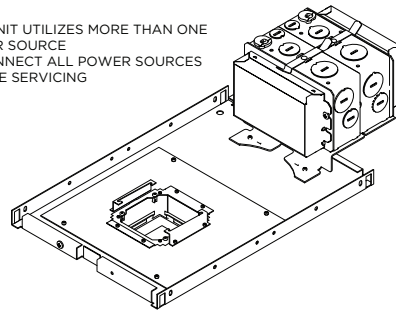
5A



DISCONNECT 5-WIRE CONNECTOR

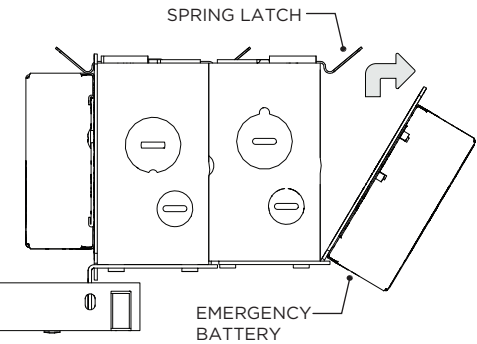
6 NCF - NEW CONSTRUCTION FRAME FOR INTEGRATED BATTERY ONLY

⚠ THIS UNIT UTILIZES MORE THAN ONE POWER SOURCE
⚡ DISCONNECT ALL POWER SOURCES BEFORE SERVICING



ℹ ACCESS ABOVE CEILING REQUIRED FOR DRIVER SERVICING

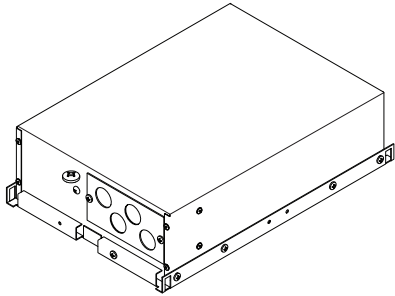
7



REMOVE BATTERY BOX COVER TO ACCESS WIRING

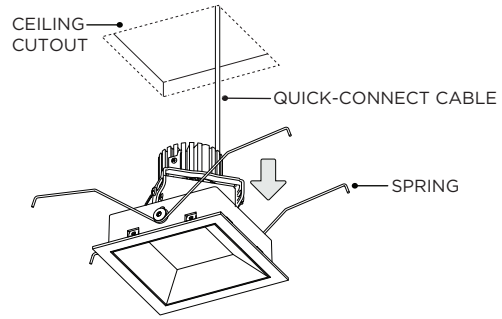
DRIVER SERVICING

1 SH - SHALLOW HOUSING



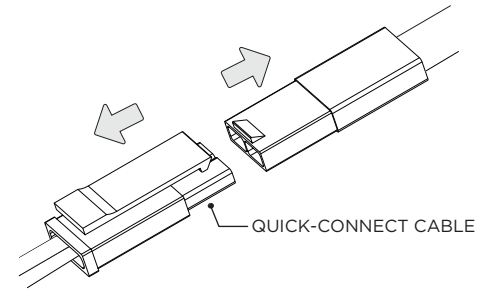
⚡ DISCONNECT POWER BEFORE SERVICING

2



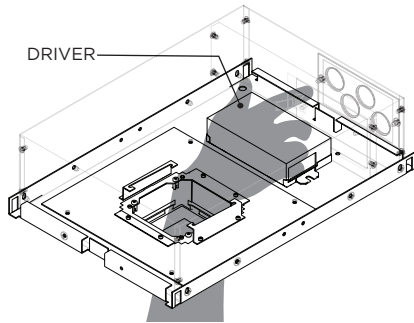
REMOVE LED ASSEMBLY FROM CEILING

2A



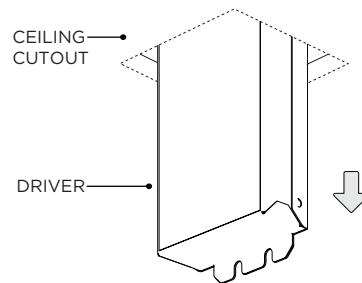
DISCONNECT QUICK-CONNECT CABLE FROM LED ASSEMBLY

3

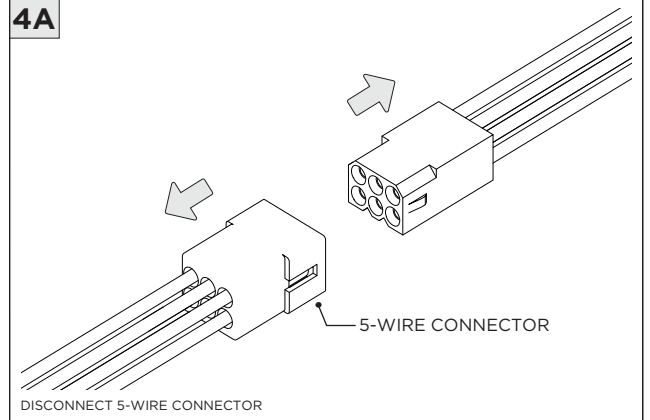


REMOVE DRIVER - SECURED WITH HOOK-AND-LOOP FASTENER

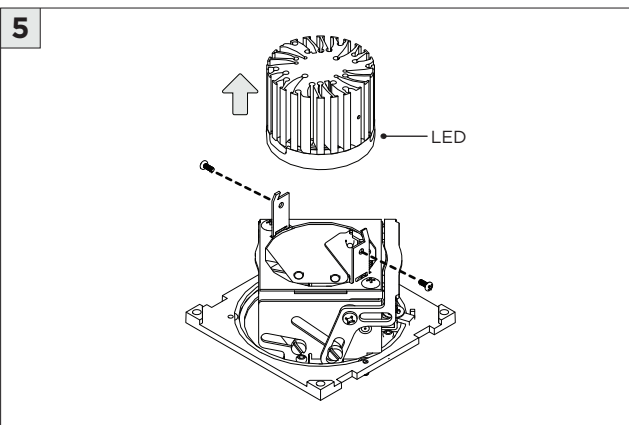
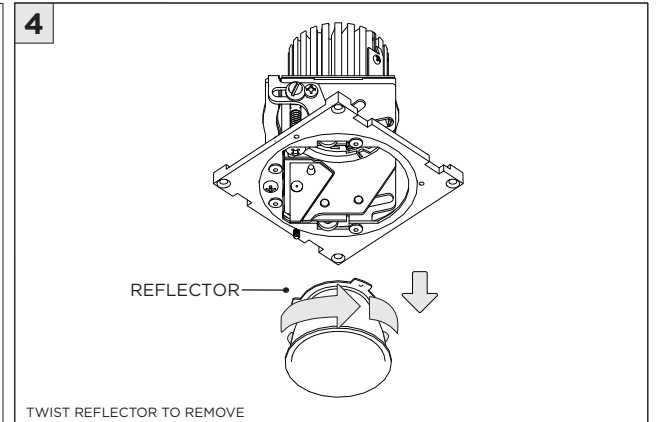
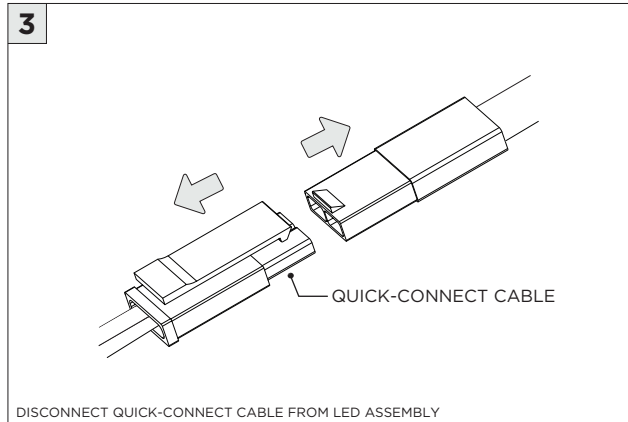
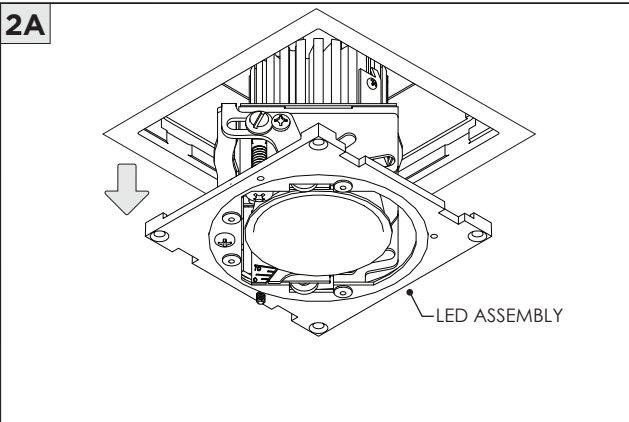
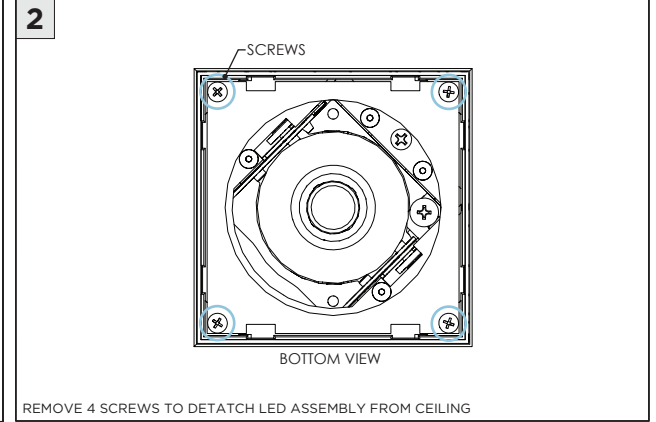
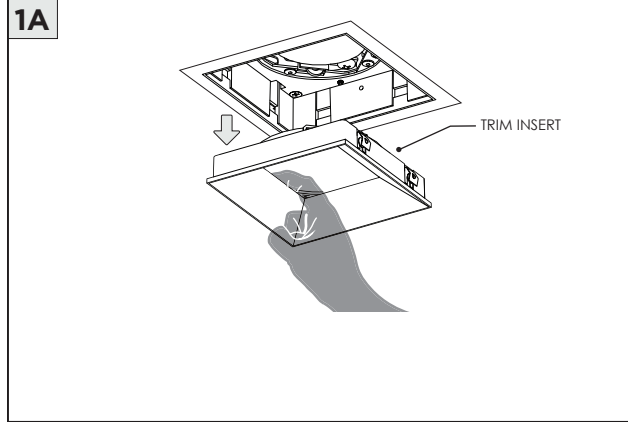
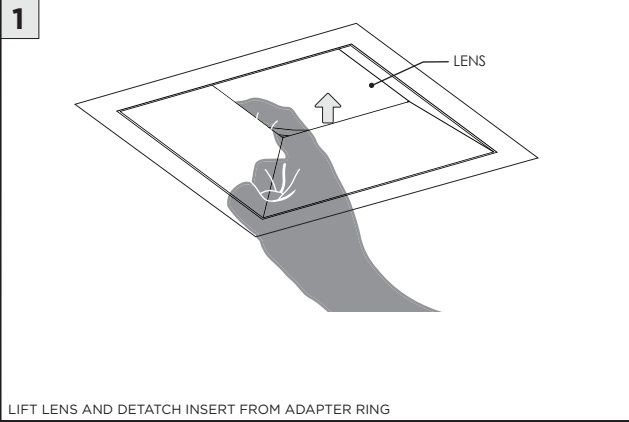
4



4A

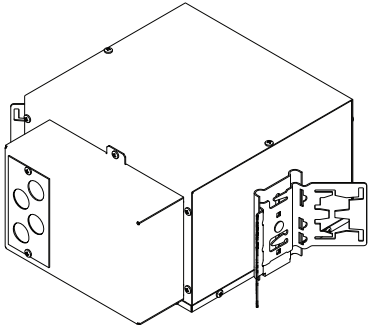


LED SERVICING



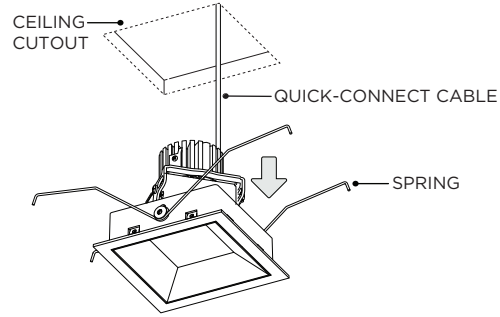
DRIVER SERVICING

1 NC/IC - NEW CONSTRUCTION HOUSING



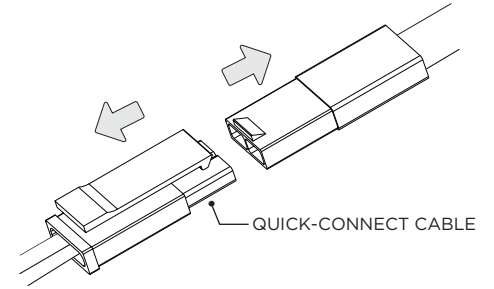
DISCONNECT POWER BEFORE SERVICING

2



REMOVE LED ASSEMBLY FROM CEILING

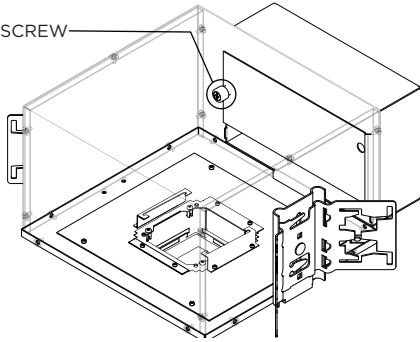
2A



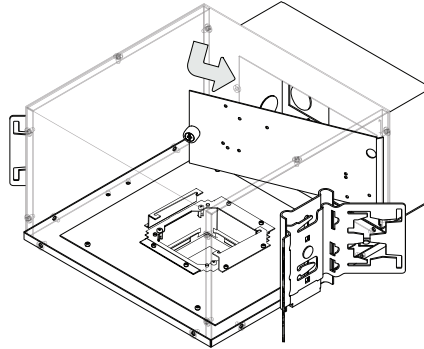
DISCONNECT QUICK-CONNECT CABLE FROM LED ASSEMBLY

3

THUMB SCREW



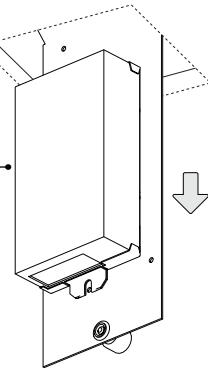
4



5

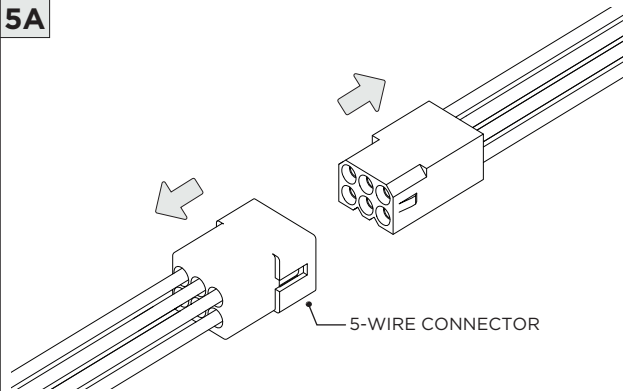
CEILING
CUTOUT

DRIVER



5A

5-WIRE CONNECTOR



DISCONNECT 5-WIRE CONNECTOR