



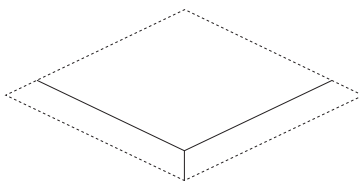
**i** THE IMAGES SHOWN ARE FOR ILLUSTRATION PURPOSES ONLY AND MAY NOT BE AN EXACT REPRESENTATION OF THE PRODUCT

INCLUDED COMPONENTS	
<p><b>RMD - REMODEL</b></p> <p>LED INSERT      CEILING PLATE      DRIVER ENCLOSURE</p>	<p><b>NCF - NEW CONSTRUCTION FRAME (FOR NEW CONSTRUCTION ONLY)</b></p> <p>LED INSERT      NEW CONSTRUCTION FRAME      BAR HANGERS</p>
<p><b>SH - SHALLOW HOUSING (FOR NEW CONSTRUCTION ONLY)</b></p> <p>LED INSERT      SHALLOW HOUSING      BAR HANGERS</p>	<p><b>NC/IC - NEW CONSTRUCTION HOUSING (FOR NEW CONSTRUCTION ONLY)</b></p> <p>LED INSERT      NEW CONSTRUCTION HOUSING      BAR HANGERS (OPTIONAL)</p>

INSTRUCTION KEY	INFORMATION
	ADDITIONAL INSTALLATION SHOULD ONLY BE PERFORMED BY A CERTIFIED ELECTRICIAN
	ATTENTION REFER TO LOCAL/NATIONAL CODES FOR PROPER INSTALLATION FAILURE TO FOLLOW INSTALLATION INSTRUCTION MAY VOID THE WARRANTY
	POWER ON DO NOT TOUCH LEADS. LEADS MUST BE PROTECTED FROM MECHANICAL STRESS OR DEBRIS
	POWER OFF TURN OFF POWER DURING INSTALLATION OR SERVICING

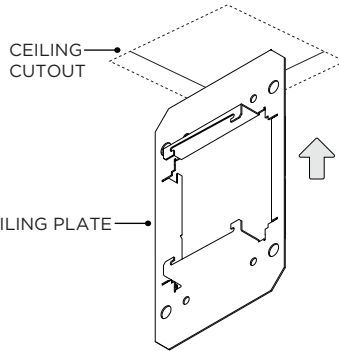
**RMD - REMODEL**

**1**



FIXTURE TYPE	CEILING HOLE SIZE
DL33SF	3.9375" x 3.9375"
DL40SF	4.6875" x 4.6875"

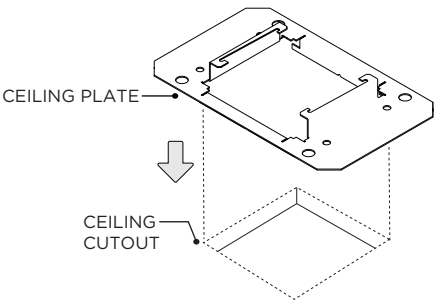
**2**



CEILING CUTOUT

CEILING PLATE

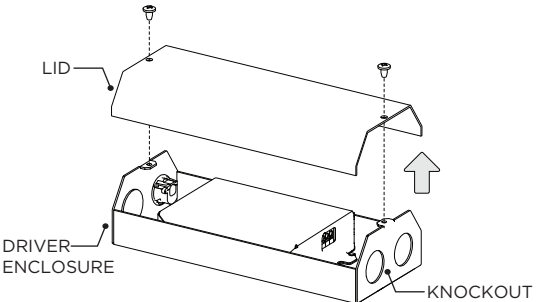
**3**



CEILING PLATE

CEILING CUTOUT

**4**



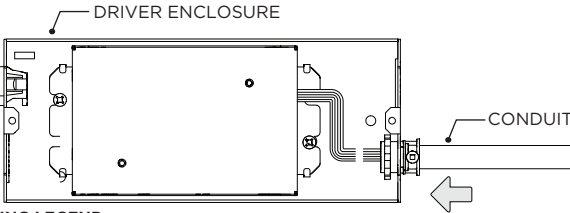
LID

DRIVER ENCLOSURE

KNOCKOUT

REMOVE LID AND KNOCKOUT FROM DRIVER ENCLOSURE

**5**



DRIVER ENCLOSURE

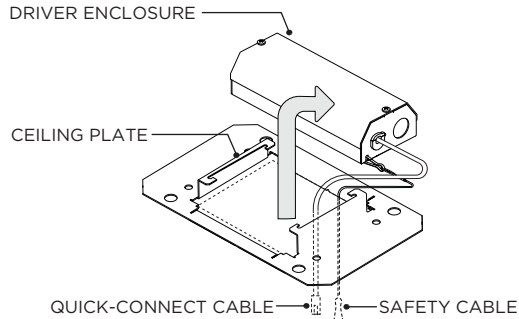
CONDUIT

**WIRING LEGEND**

BLACK	HOT/LINE
WHITE	NEUTRAL
GREEN	GROUND
ORANGE	(DIM-)
PURPLE	(DIM+)

CONNECT CONDUIT TO DRIVER ENCLOSURE AND MAKE WIRING CONNECTIONS

**6**



DRIVER ENCLOSURE

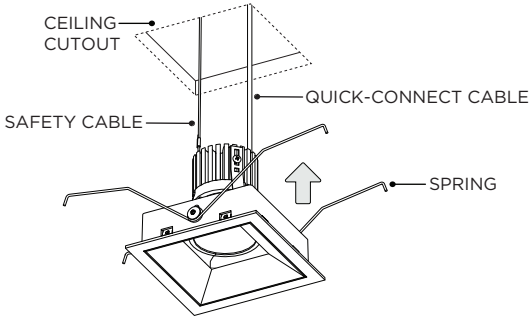
CEILING PLATE

QUICK-CONNECT CABLE

SAFETY CABLE

SECURE LID ONTO DRIVER ENCLOSURE AND PLACE ABOVE CEILING

**7**



CEILING CUTOUT

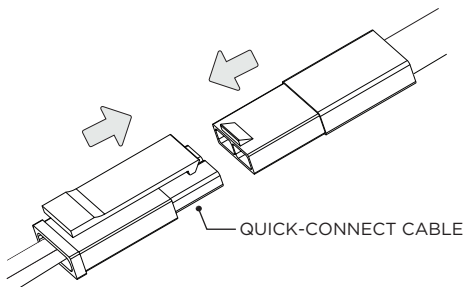
SAFETY CABLE

QUICK-CONNECT CABLE

SPRING

INSERT LED ASSEMBLY INTO CEILING

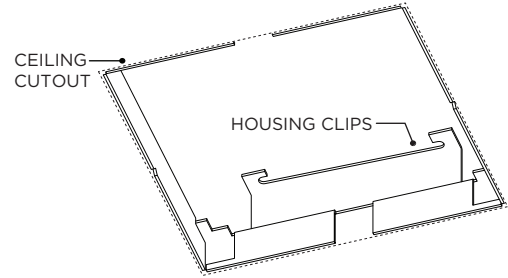
**7A**



QUICK-CONNECT CABLE

CONNECT SAFETY CABLE & QUICK-CONNECT CABLE TO LED ASSEMBLY

**7B**

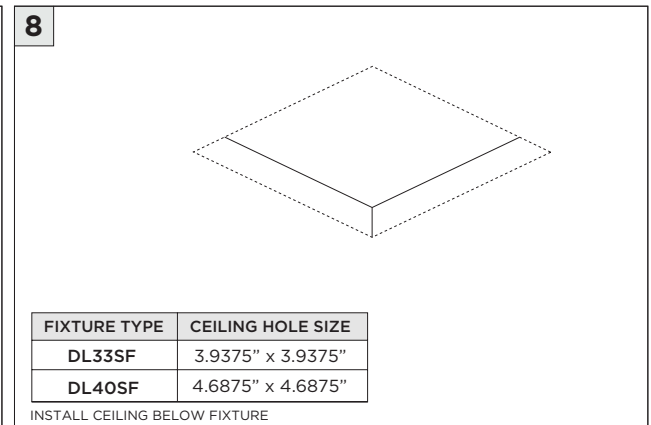
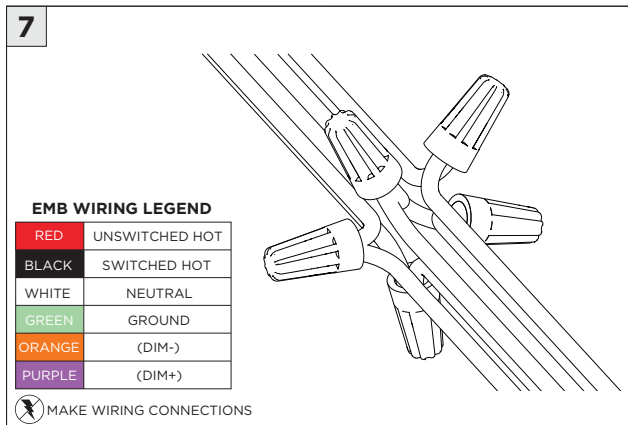
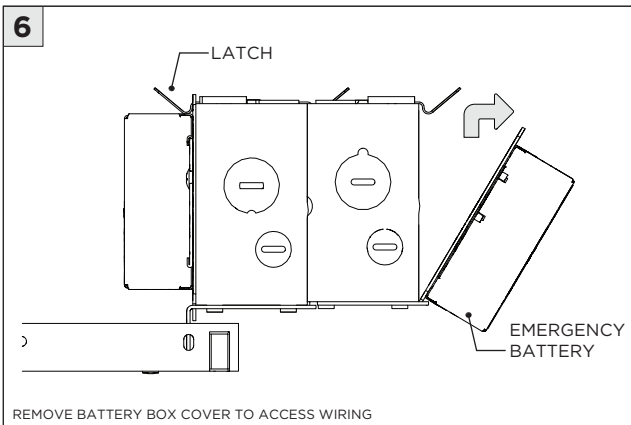
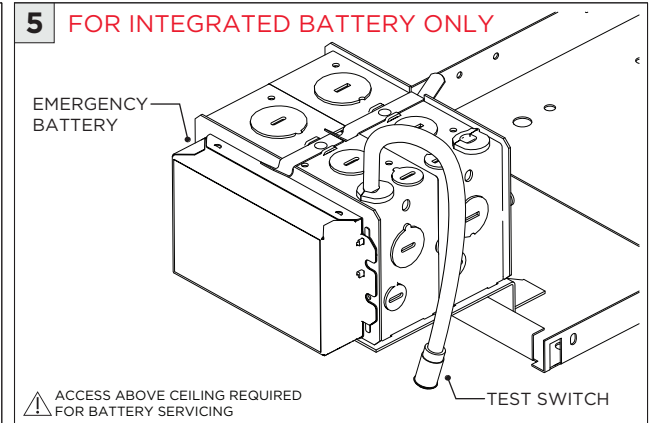
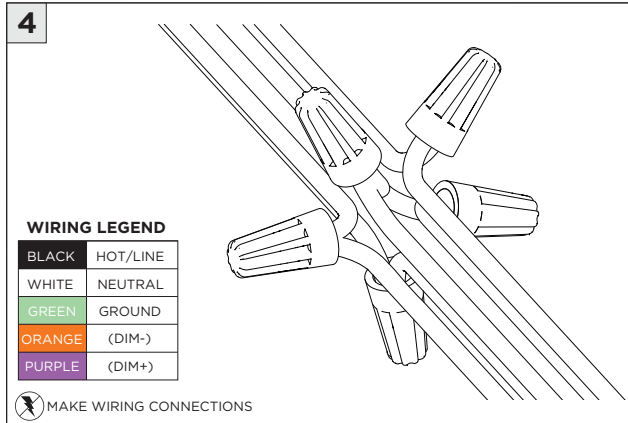
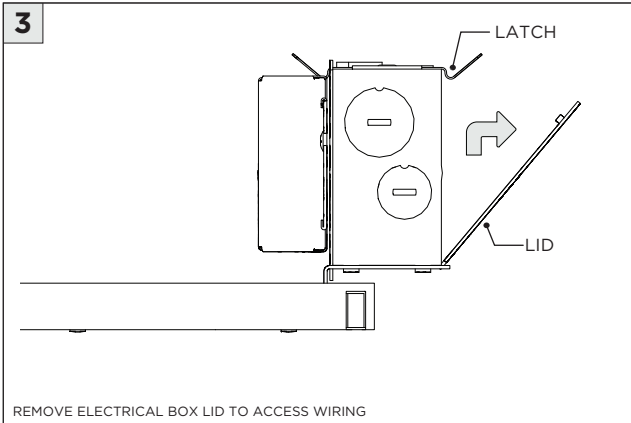
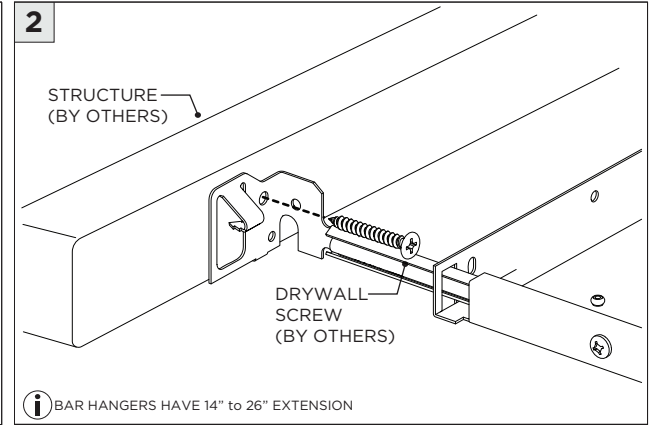
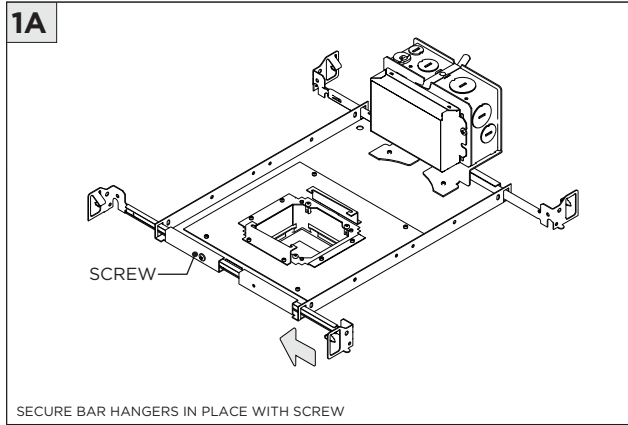
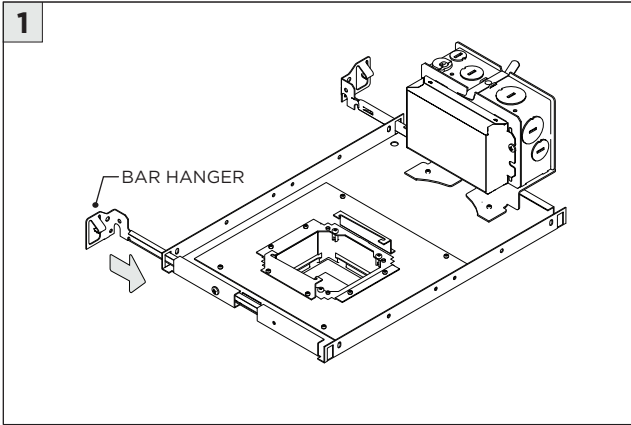


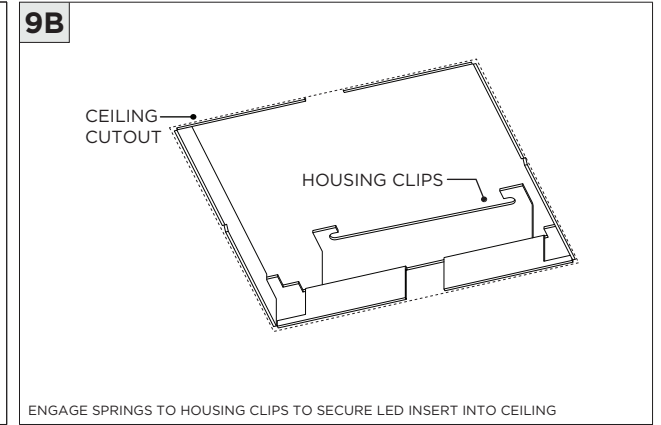
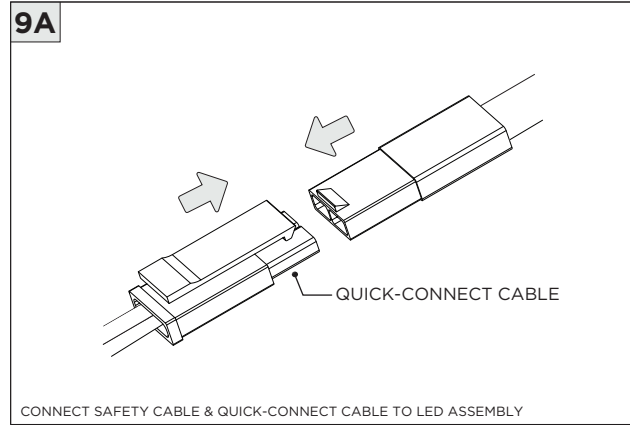
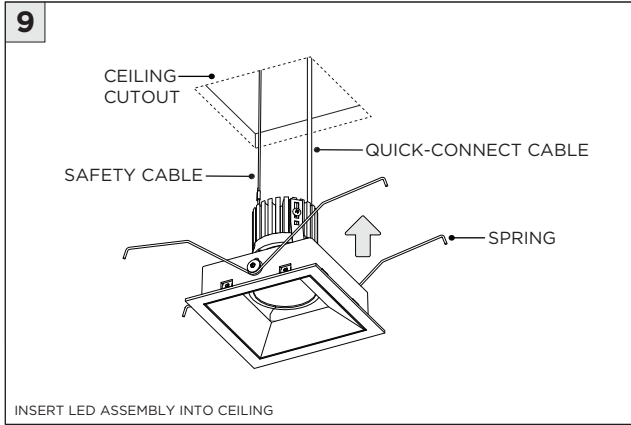
CEILING CUTOUT

HOUSING CLIPS

ENGAGE SPRINGS TO HOUSING CLIPS TO SECURE LED INSERT INTO CEILING

**NCF - NEW CONSTRUCTION FRAME (FOR NEW CONSTRUCTION ONLY)**





**NC/IC - NEW CONSTRUCTION HOUSING (FOR NEW CONSTRUCTION ONLY)**

**1 BAR HANGER INSTALLATION**  
(IF SUPPLIED BY 3G)

BAR HANGER (OPTIONAL)  
BUTTERFLY BRACKET

**1A**

STRUCTURE (BY OTHERS)  
DRYWALL SCREW (BY OTHERS)

**2 OTHER BAR HANGER INSTALLATION**  
(NOT PROVIDED BY 3G)

FURRING STRIP CHANNEL  
1/2" EMT (x2)  
1/2" x 1-1/2" CHANNEL  
POSITION 5/8" - 3/4" BAR HANGERS  
2 POSITIONS FOR 1/2" BAR HANGERS  
BUTTERFLY BRACKET SIDE VIEW

**3**

KNOCKOUT LID

REMOVE ELECTRICAL BOX KNOCKOUT LID TO ACCESS WIRING

**3A**

**WIRING LEGEND**

BLACK	HOT/LINE
WHITE	NEUTRAL
GREEN	GROUND
ORANGE	(DIM-)
PURPLE	(DIM+)

MAKE WIRING CONNECTIONS

**4**

FIXTURE TYPE	CEILING HOLE SIZE
DL33SF	3.9375" x 3.9375"
DL40SF	4.6875" x 4.6875"

INSTALL CEILING BELOW FIXTURE

**5**

CEILING CUTOUT  
SAFETY CABLE  
QUICK-CONNECT CABLE  
SPRING

INSERT LED ASSEMBLY INTO CEILING

**5A**

QUICK-CONNECT CABLE

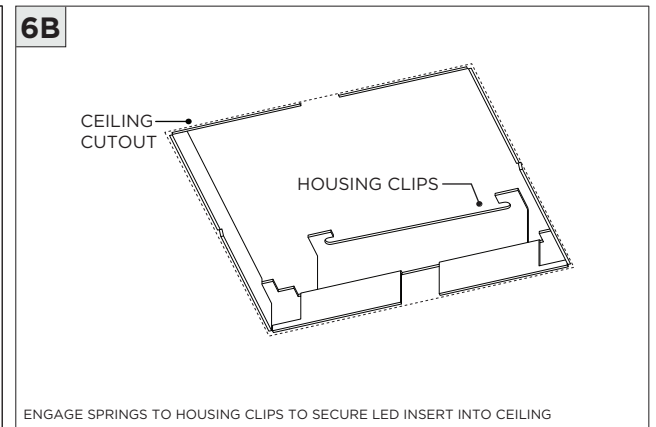
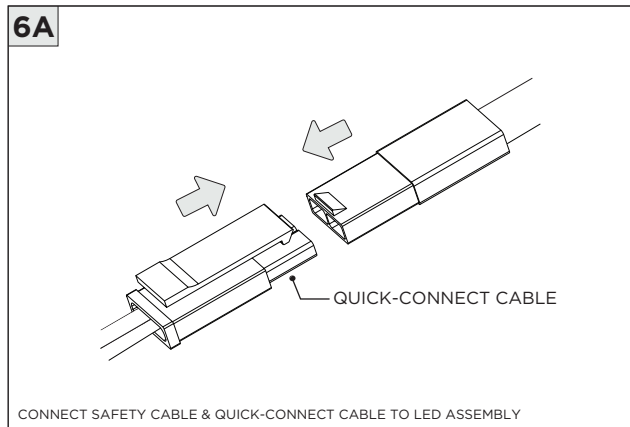
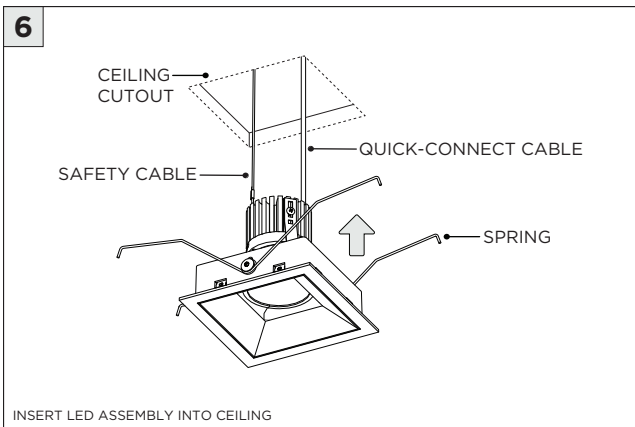
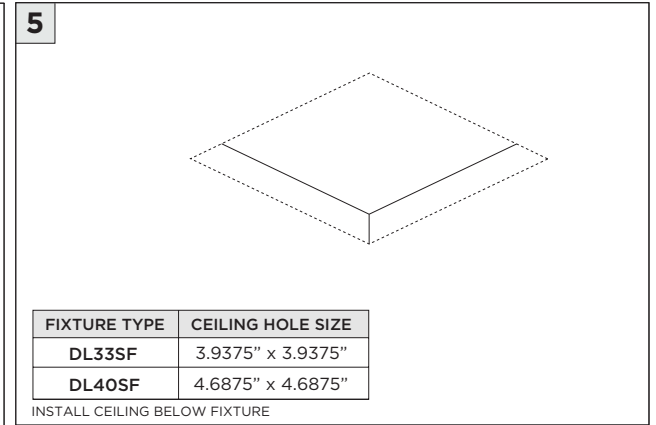
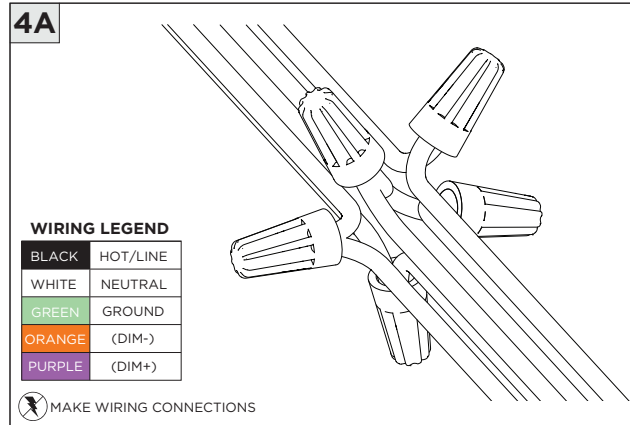
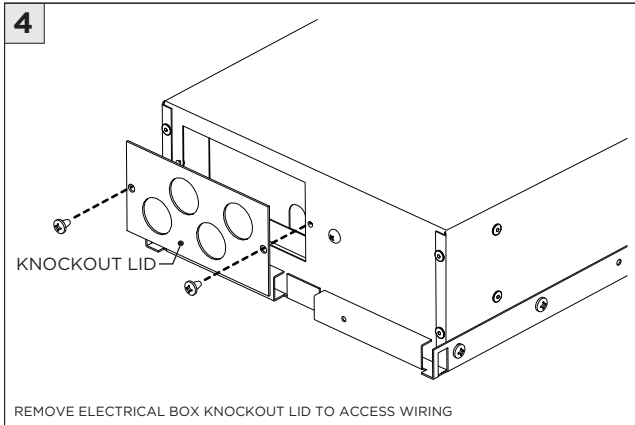
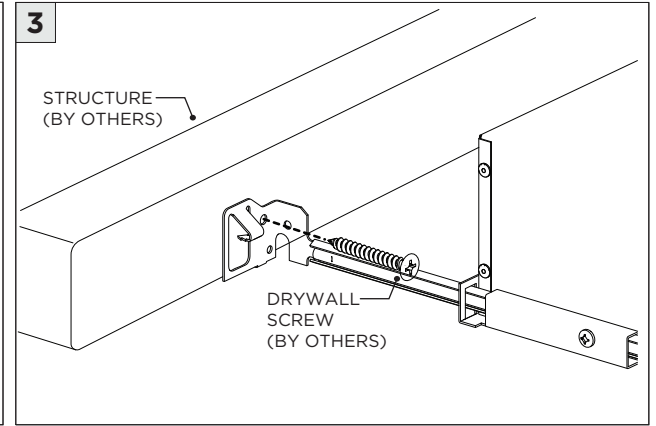
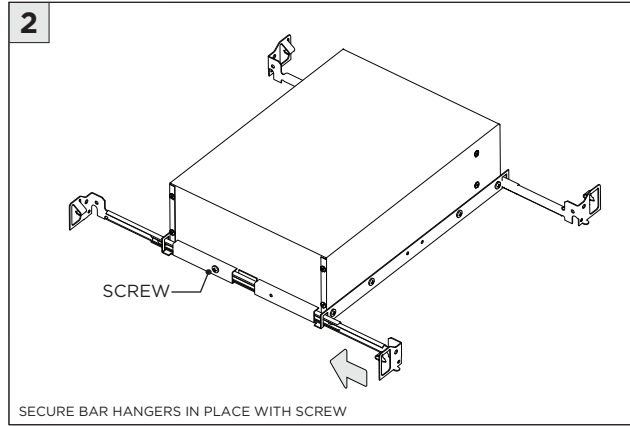
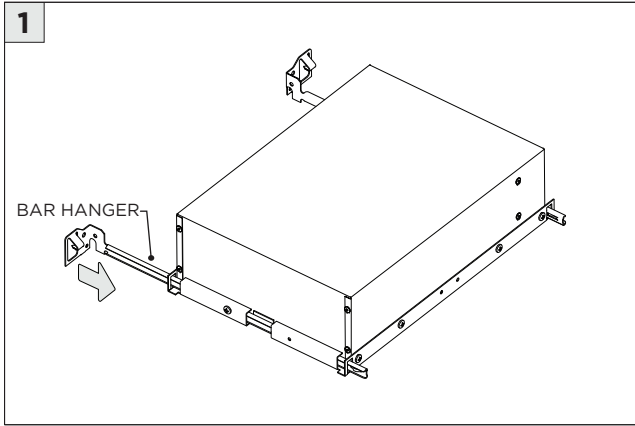
CONNECT SAFETY CABLE & QUICK-CONNECT CABLE TO LED ASSEMBLY

**5B**

CEILING CUTOUT  
HOUSING CLIPS

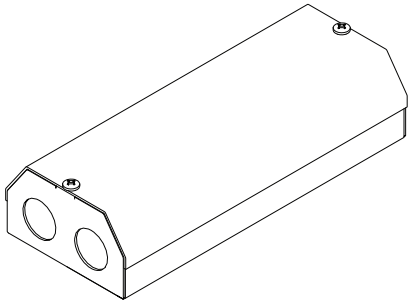
ENGAGE SPRINGS TO HOUSING CLIPS TO SECURE LED INSERT INTO CEILING

**SH - SHALLOW HOUSING (FOR NEW CONSTRUCTION ONLY)**



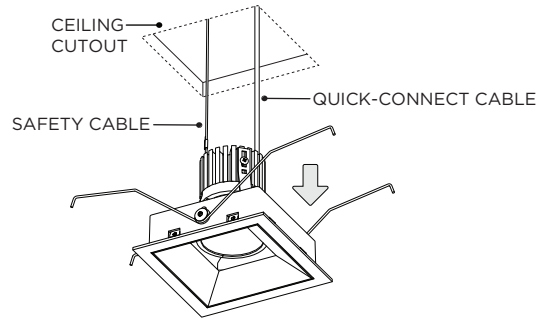
**DRIVER SERVICING**

**1 RMD - REMODEL**



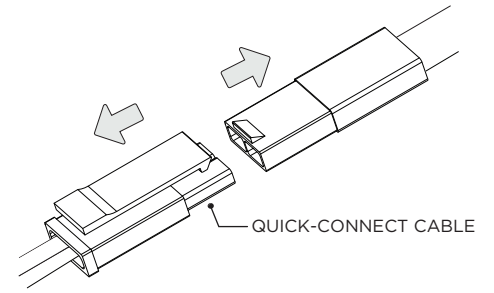
DISCONNECT POWER BEFORE SERVICING

**2**



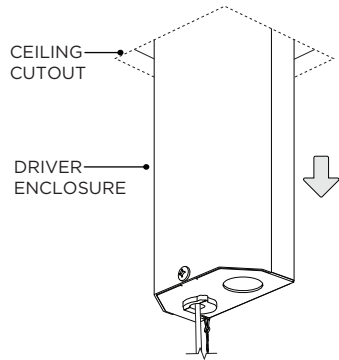
REMOVE LED ASSEMBLY FROM CEILING

**2A**

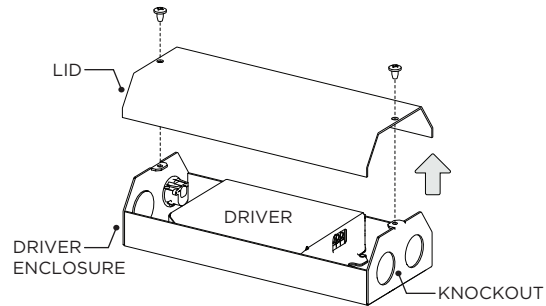


DISCONNECT SAFETY CABLE & QUICK-CONNECT CABLE FROM LED ASSEMBLY

**3**

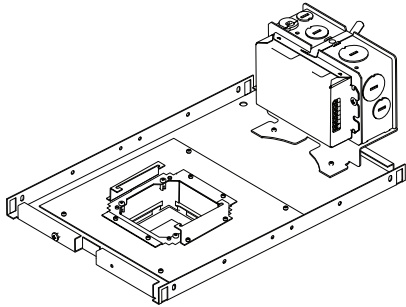


**4**



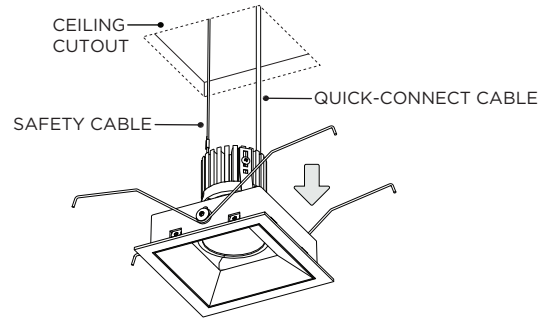
**DRIVER SERVICING**

**1 NCF - NEW CONSTRUCTION FRAME**



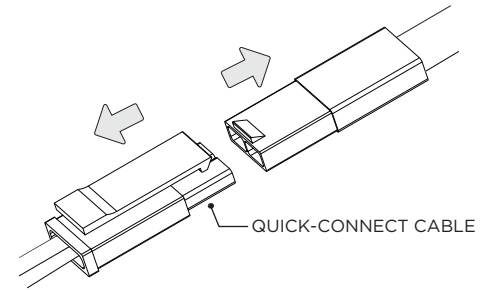
DISCONNECT POWER BEFORE SERVICING

**2**



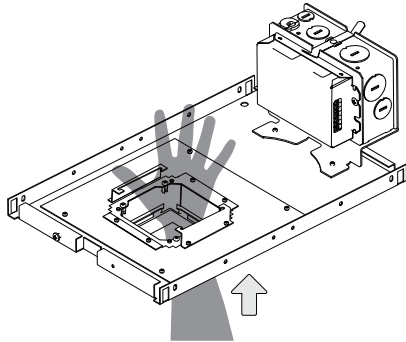
REMOVE LED ASSEMBLY FROM CEILING

**2A**

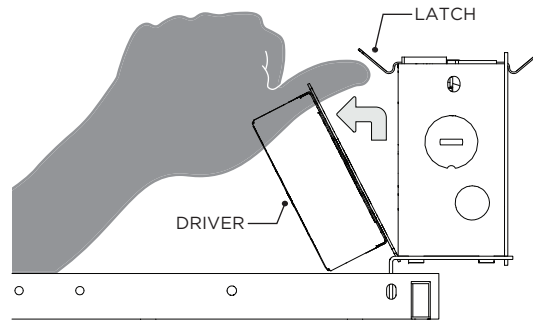


DISCONNECT SAFETY CABLE & QUICK-CONNECT CABLE FROM LED ASSEMBLY

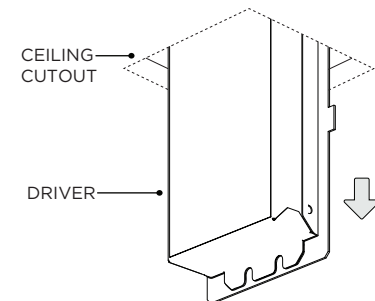
**3**



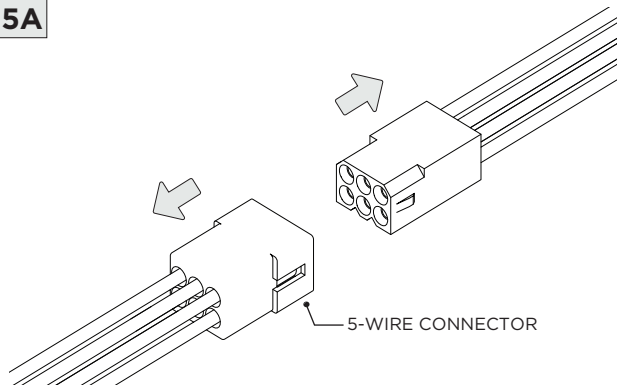
**4**



**5**



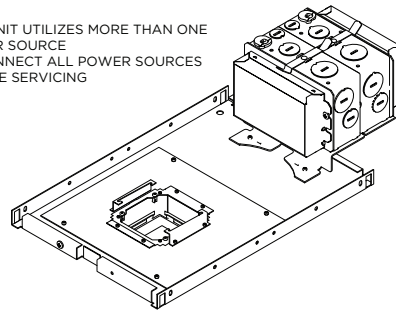
**5A**



DISCONNECT 5-WIRE CONNECTOR

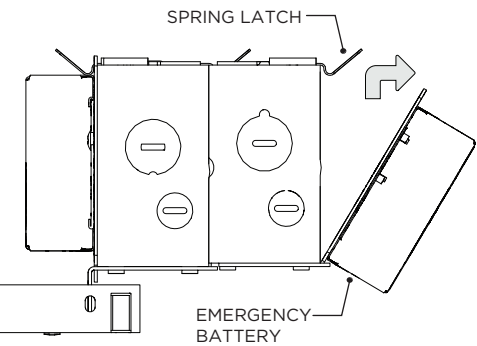
**6 NCF - NEW CONSTRUCTION FRAME  
FOR INTEGRATED BATTERY ONLY**

THIS UNIT UTILIZES MORE THAN ONE  
POWER SOURCE  
 DISCONNECT ALL POWER SOURCES  
BEFORE SERVICING



ACCESS ABOVE CEILING REQUIRED FOR DRIVER SERVICING

**7**

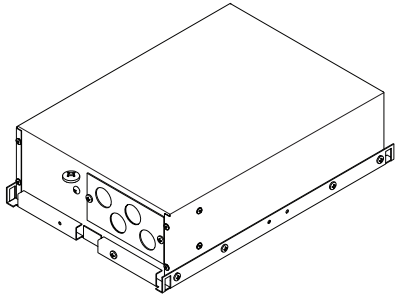


REMOVE BATTERY BOX COVER TO ACCESS WIRING



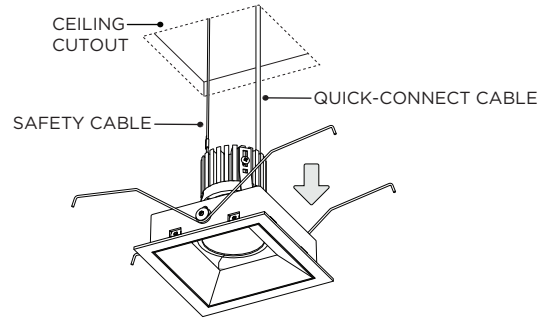
**DRIVER SERVICING**

**1 SH - SHALLOW HOUSING**



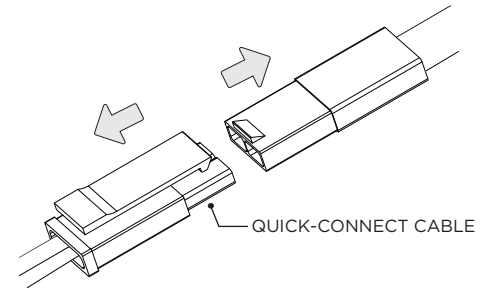
 DISCONNECT POWER BEFORE SERVICING

**2**



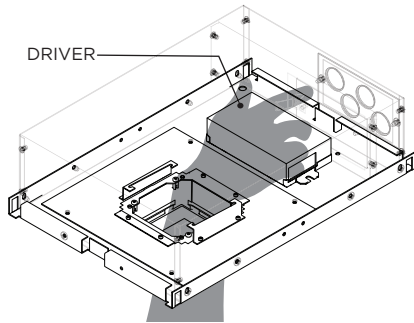
REMOVE LED ASSEMBLY FROM CEILING

**2A**



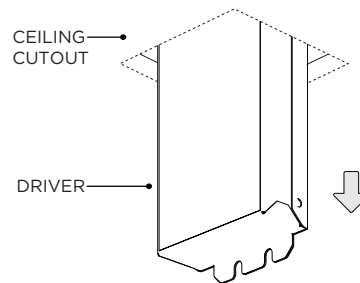
DISCONNECT SAFETY CABLE & QUICK-CONNECT CABLE FROM LED ASSEMBLY

**3**

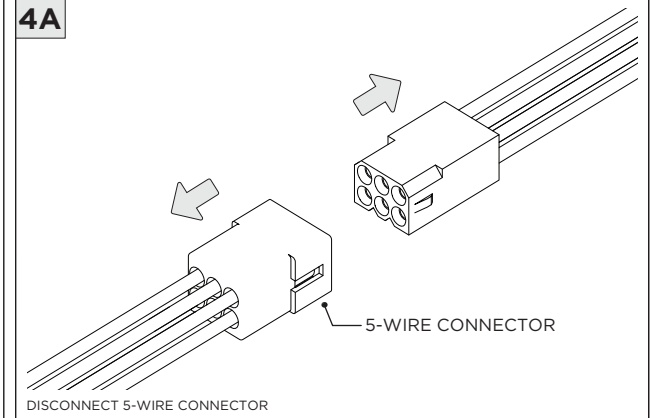


REMOVE DRIVER - SECURED WITH HOOK-AND-LOOP FASTENER

**4**

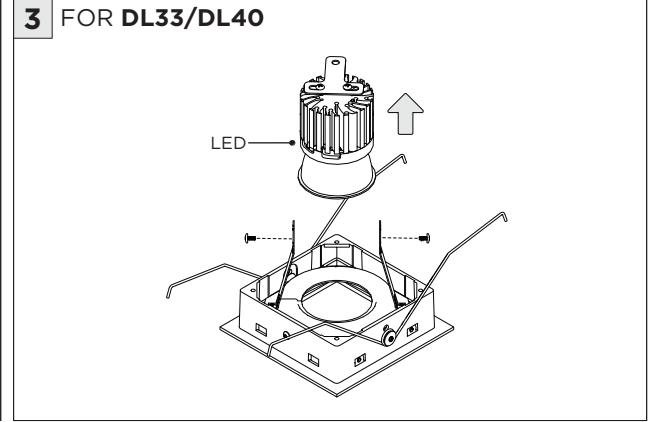
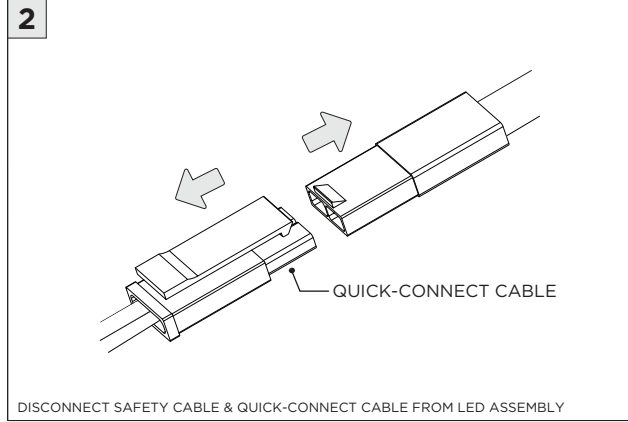
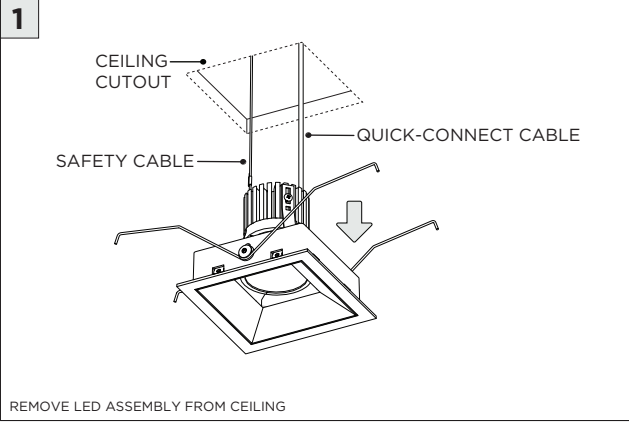


**4A**



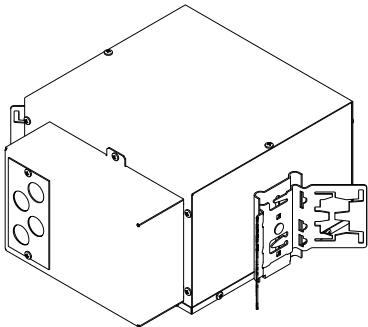
DISCONNECT 5-WIRE CONNECTOR

**LED SERVICING**



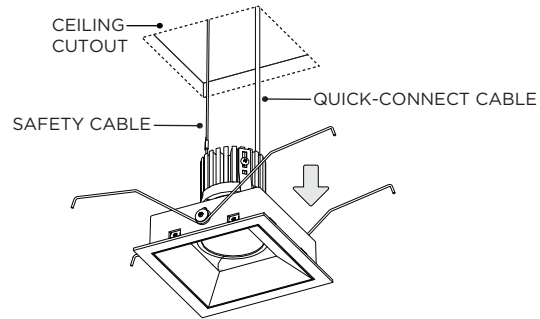
**DRIVER SERVICING**

**1 NC/IC - NEW CONSTRUCTION HOUSING**



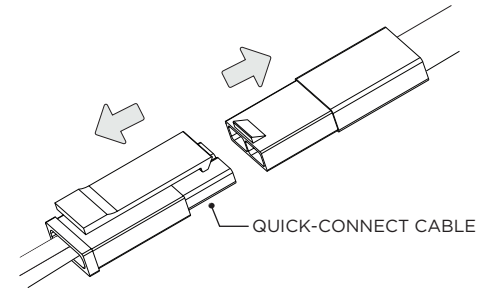
DISCONNECT POWER BEFORE SERVICING

**2**



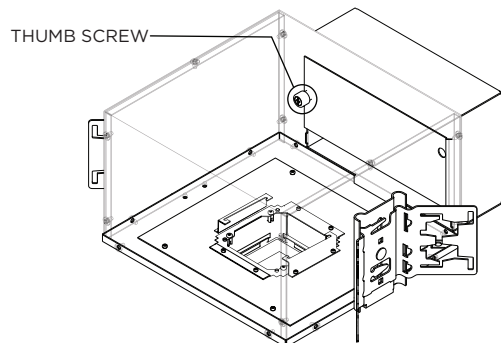
REMOVE LED ASSEMBLY FROM CEILING

**2A**

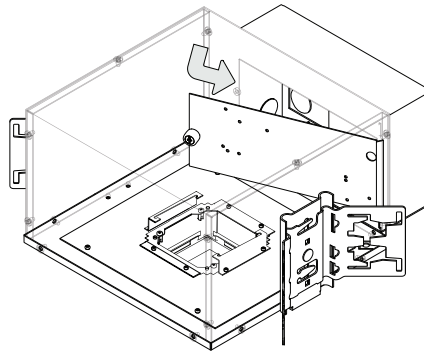


DISCONNECT SAFETY CABLE & QUICK-CONNECT CABLE FROM LED ASSEMBLY

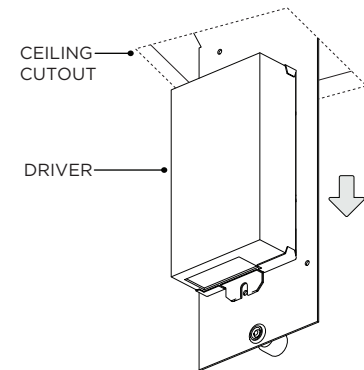
**3**



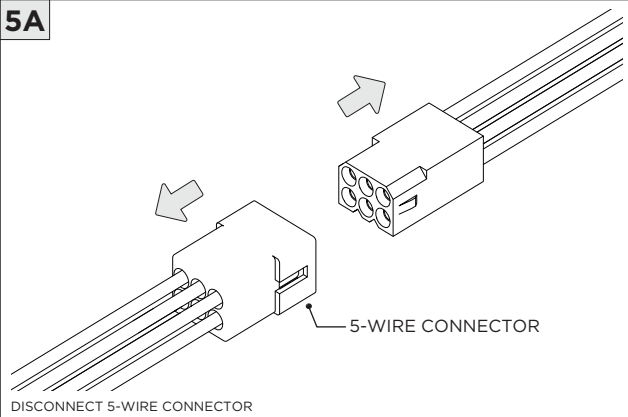
**4**



**5**



**5A**



DISCONNECT 5-WIRE CONNECTOR