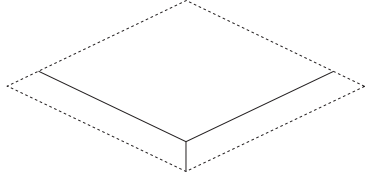


INCLUDED COMPONENTS	
<p>RMD - REMODEL</p> <p>LED INSERT MUDDING FLANGE DRIVER ENCLOSURE CEILING PLATE</p>	<p>NCF - NEW CONSTRUCTION FRAME (FOR NEW CONSTRUCTION ONLY)</p> <p>LED INSERT MUDDING FLANGE NEW CONSTRUCTION FRAME BAR HANGERS</p>
<p>SH - SHALLOW HOUSING (FOR NEW CONSTRUCTION ONLY)</p> <p>LED INSERT MUDDING FLANGE SHALLOW HOUSING BAR HANGERS</p>	<p>NC/IC - NEW CONSTRUCTION HOUSING (FOR NEW CONSTRUCTION ONLY)</p> <p>LED INSERT MUDDING FLANGE NEW CONSTRUCTION HOUSING BAR HANGERS (OPTIONAL)</p>

INSTRUCTION KEY	INFORMATION	
⚠	ADDITIONAL	INSTALLATION SHOULD ONLY BE PERFORMED BY A CERTIFIED ELECTRICIAN
ⓘ	ATTENTION	REFER TO LOCAL/NATIONAL CODES FOR PROPER INSTALLATION
⚡	POWER ON	FAILURE TO FOLLOW INSTALLATION INSTRUCTION MAY VOID THE WARRANTY
⚡	POWER OFF	DO NOT TOUCH LEDS. LEDS MUST BE PROTECTED FROM MECHANICAL STRESS OR DEBRIS
		TURN OFF POWER DURING INSTALLATION OR SERVICING

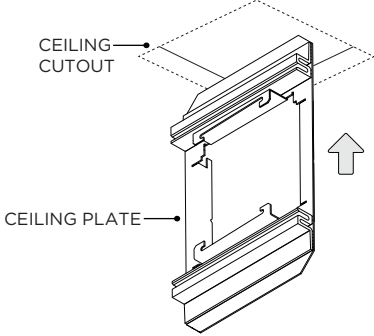
RMD - REMODEL

1



FIXTURE TYPE	CEILING HOLE SIZE
DL33SF	3.9375 x 3.9375
DL40SF	5.0625 x 5.0625

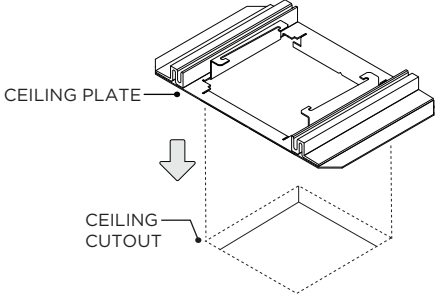
2



CEILING CUTOUT

CEILING PLATE

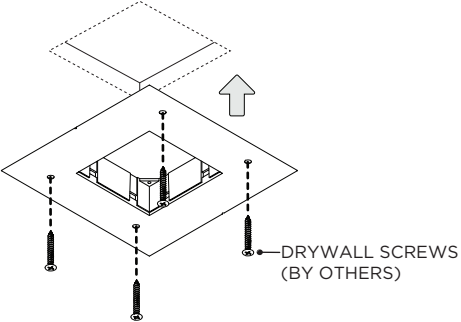
3



CEILING PLATE

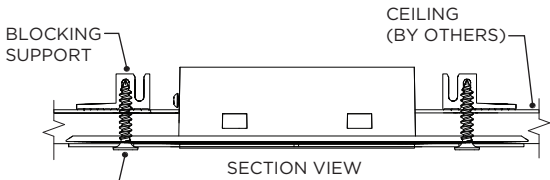
CEILING CUTOUT

4



DRYWALL SCREWS (BY OTHERS)

5



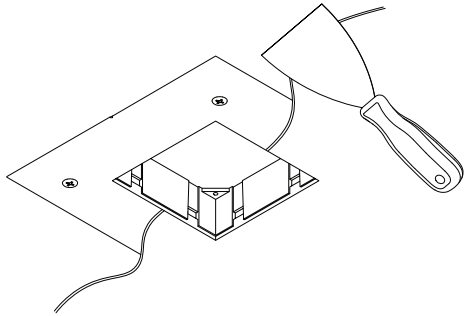
BLOCKING SUPPORT

CEILING (BY OTHERS)

SECTION VIEW

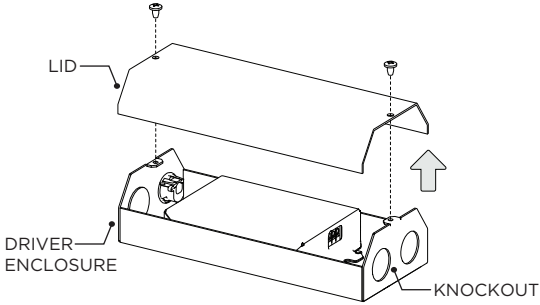
DRYWALL SCREWS (BY OTHERS)

6



APPLY MUDDING COMPOUND (BY OTHERS) TO CEILING

7



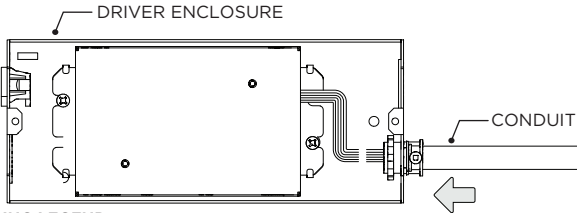
LID

DRIVER ENCLOSURE

KNOCKOUT

REMOVE LID AND KNOCKOUT FROM DRIVER ENCLOSURE

8



DRIVER ENCLOSURE

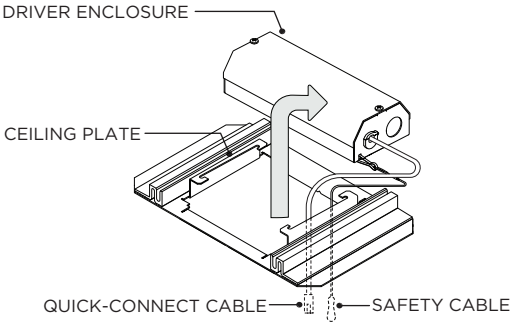
CONDUIT

WIRING LEGEND

BLACK	HOT/LINE
WHITE	NEUTRAL
GREEN	GROUND
ORANGE	(DIM-)
PURPLE	(DIM+)

CONNECT CONDUIT TO DRIVER ENCLOSURE AND MAKE WIRING CONNECTIONS

9



DRIVER ENCLOSURE

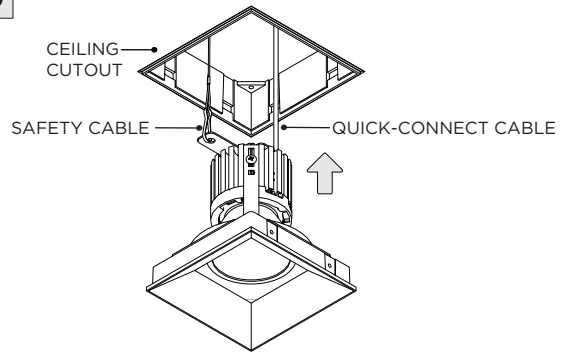
CEILING PLATE

QUICK-CONNECT CABLE

SAFETY CABLE

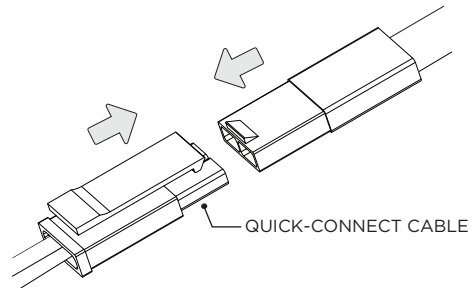
SECURE LID ONTO DRIVER ENCLOSURE AND PLACE ABOVE CEILING

10



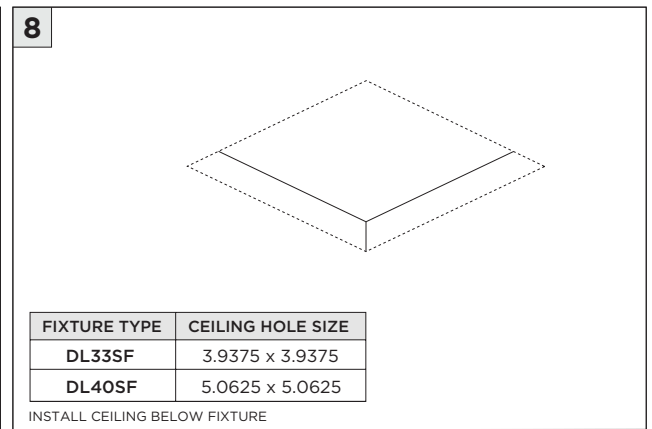
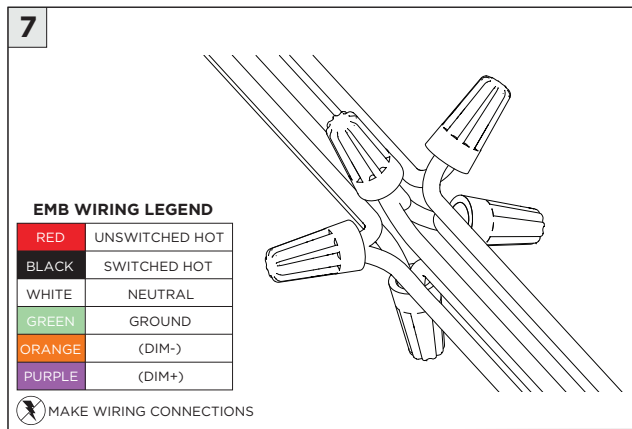
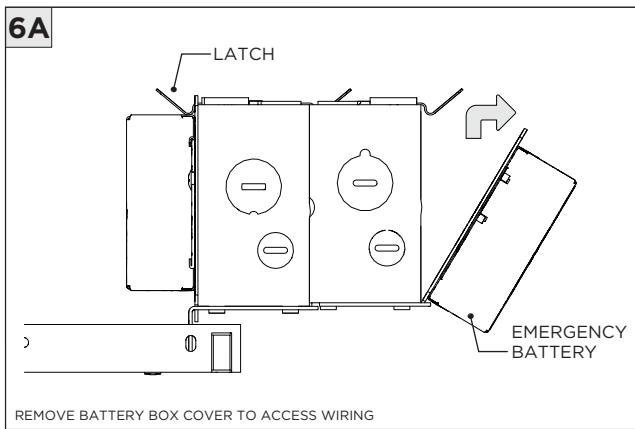
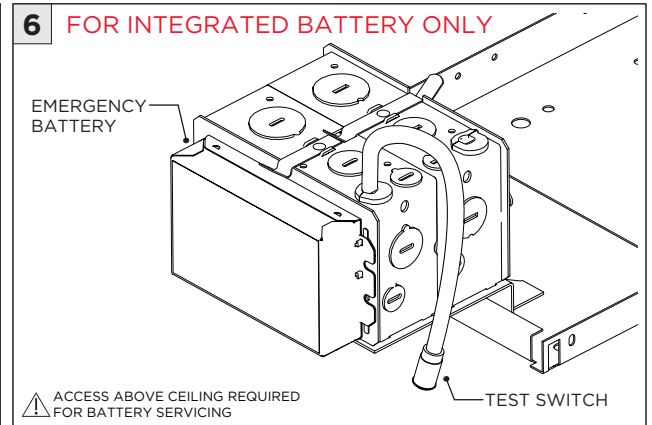
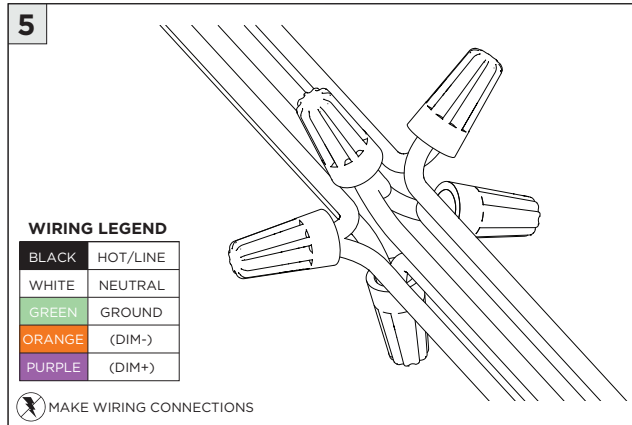
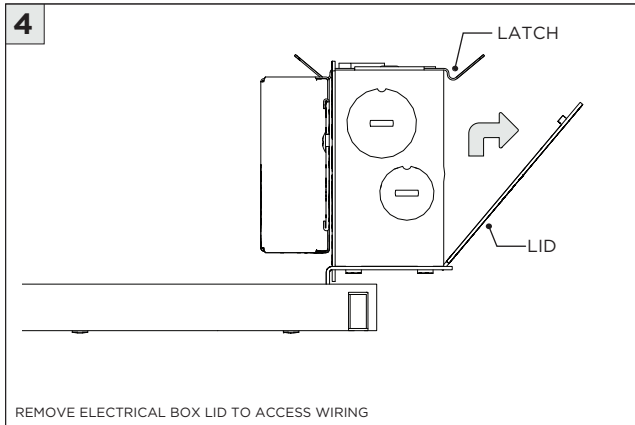
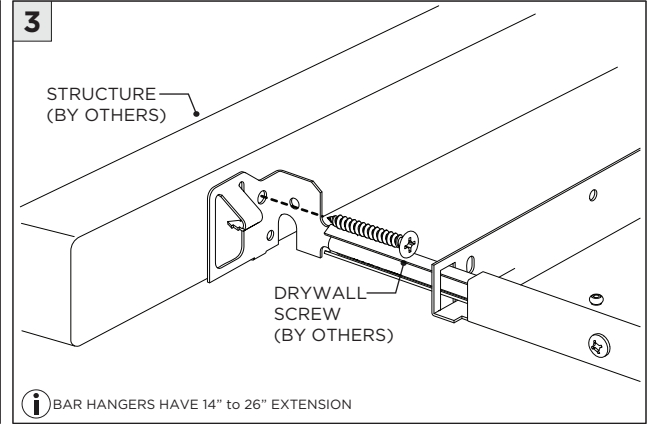
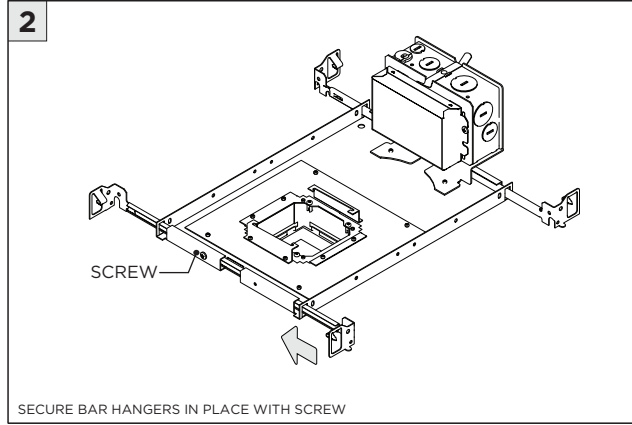
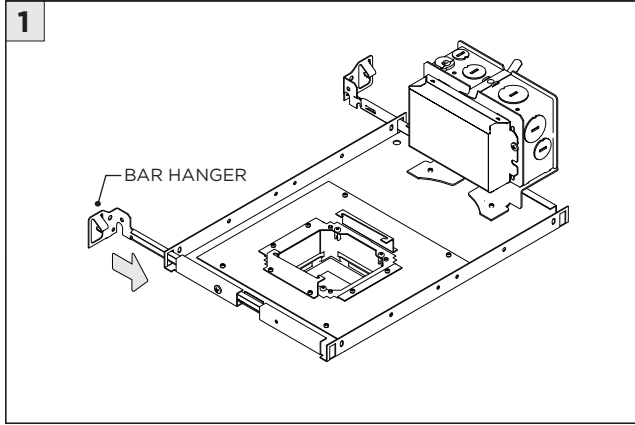
INSERT LED ASSEMBLY INTO CEILING

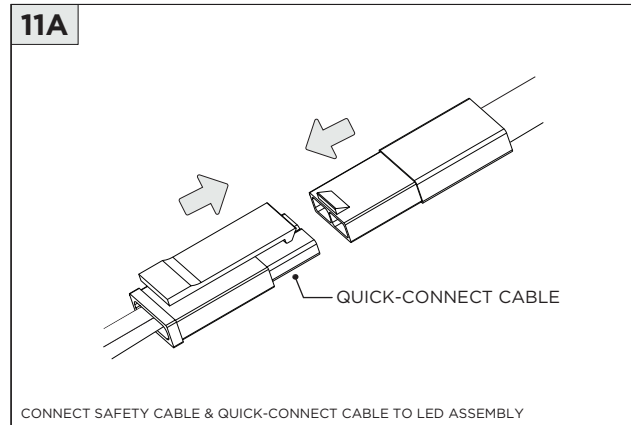
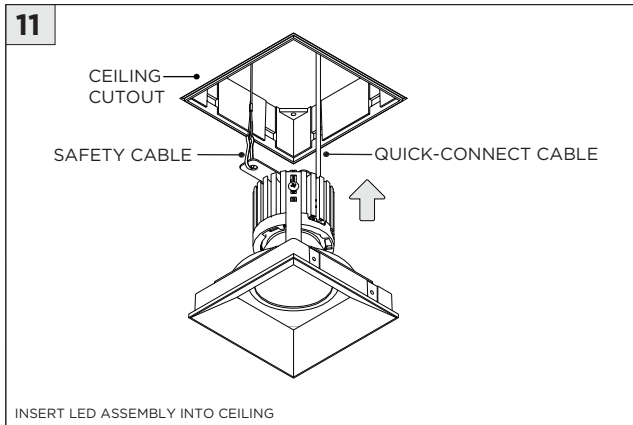
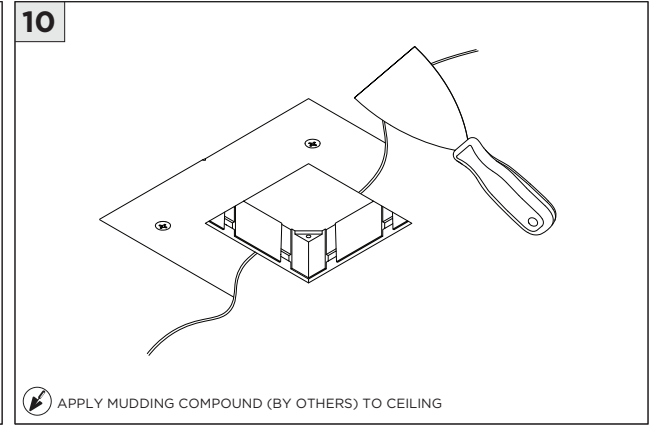
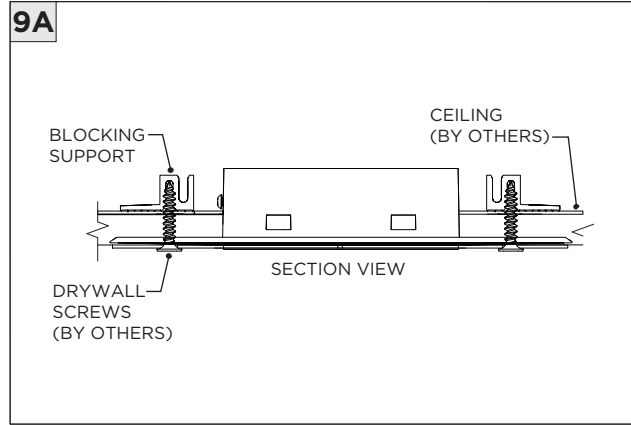
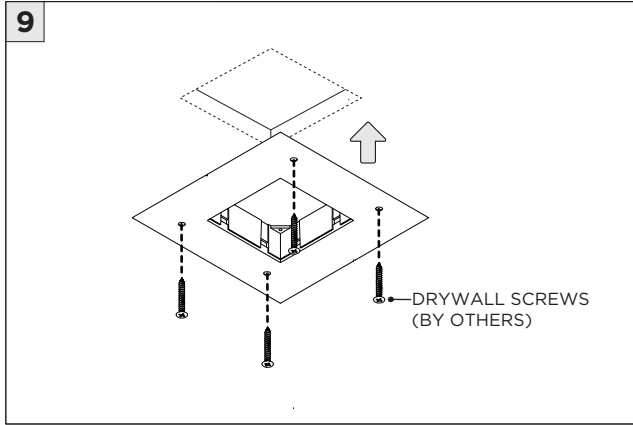
10A



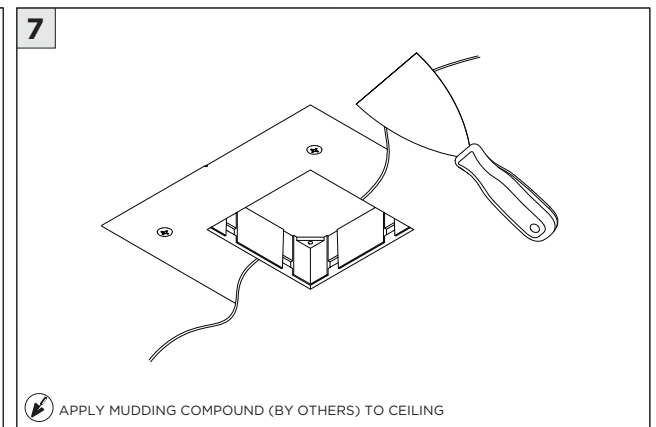
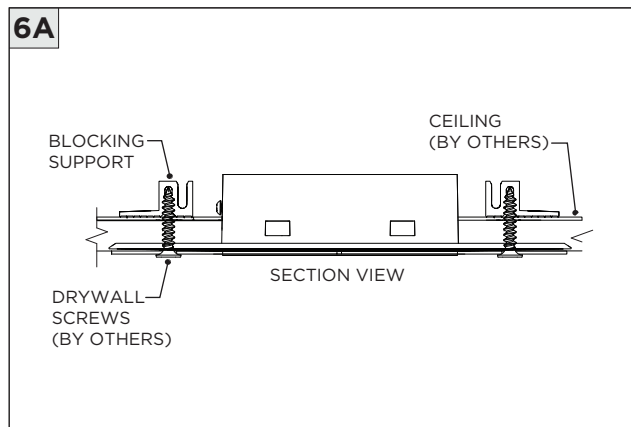
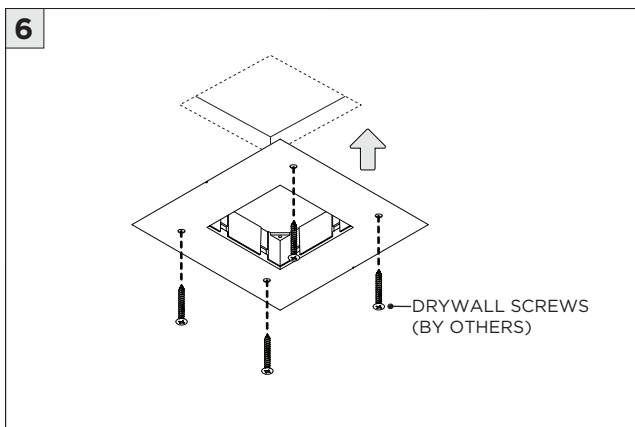
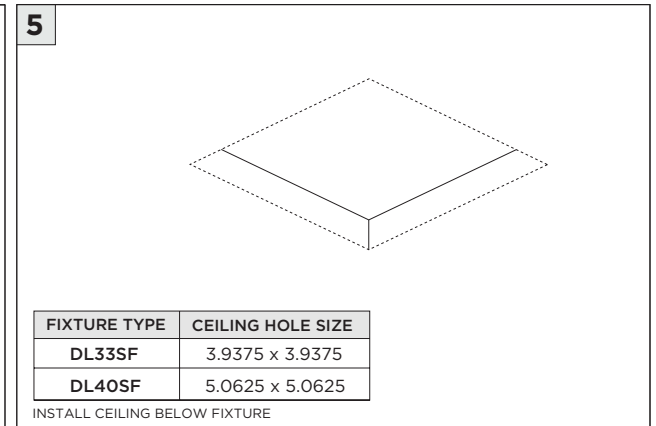
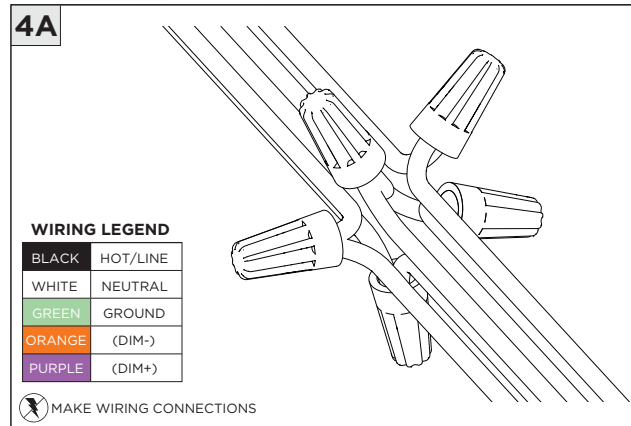
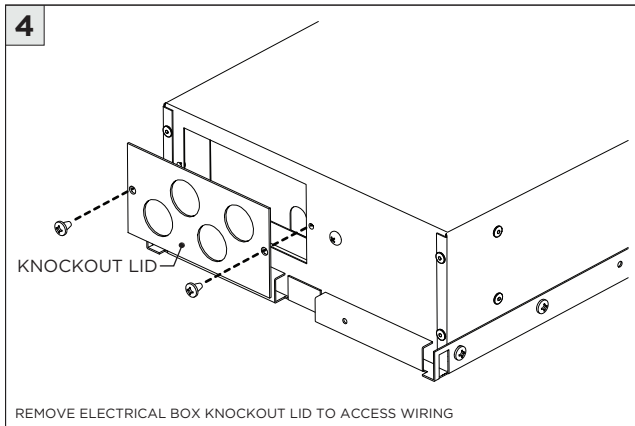
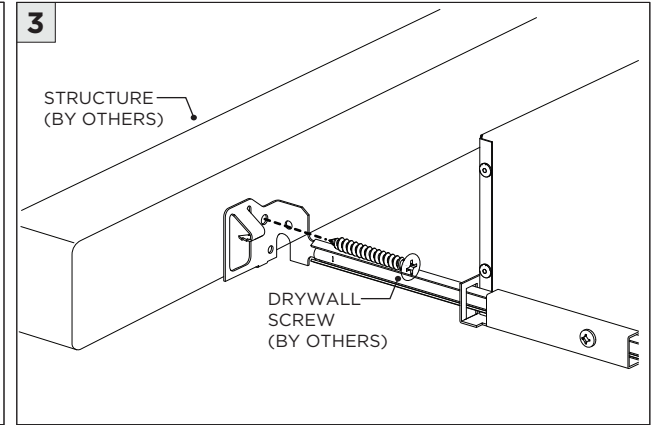
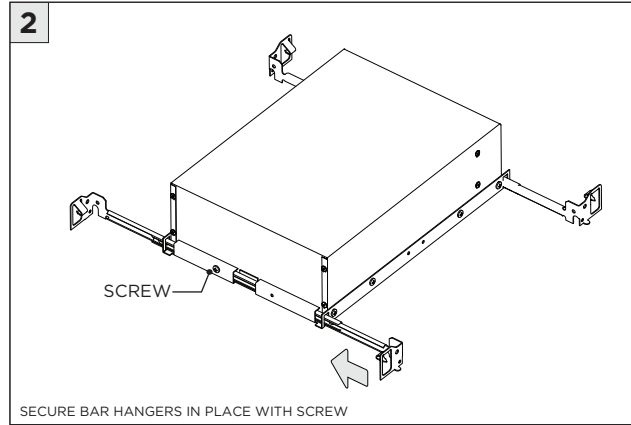
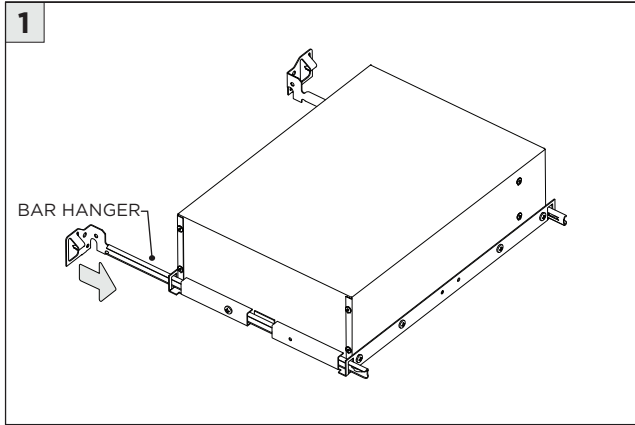
CONNECT SAFETY CABLE & QUICK-CONNECT CABLE TO LED ASSEMBLY

NCF - NEW CONSTRUCTION FRAME (FOR NEW CONSTRUCTION ONLY)

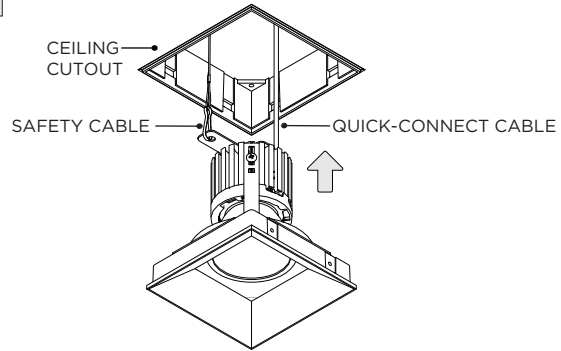




SH - SHALLOW HOUSING (FOR NEW CONSTRUCTION ONLY)

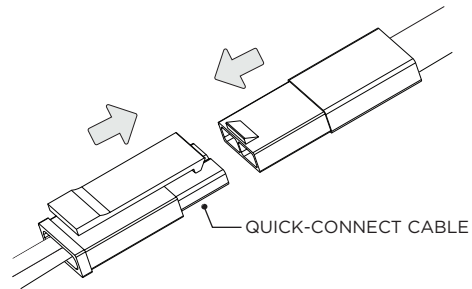


8



INSERT LED ASSEMBLY INTO CEILING

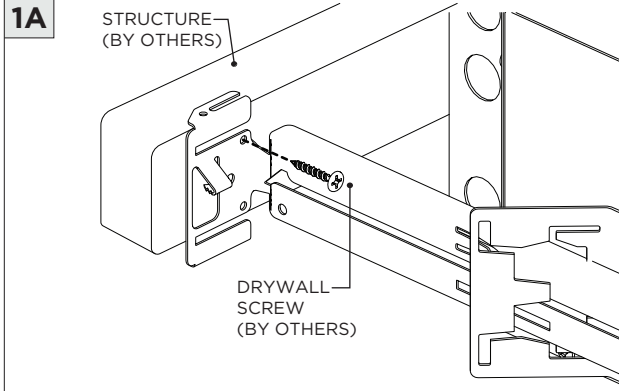
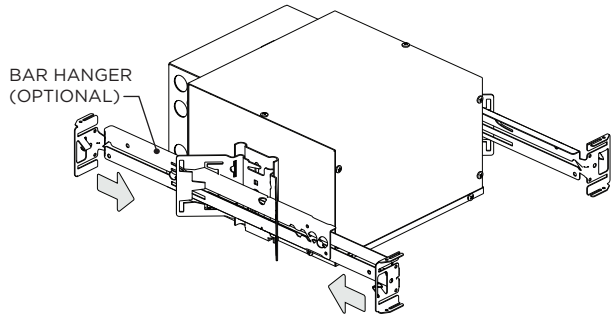
8A



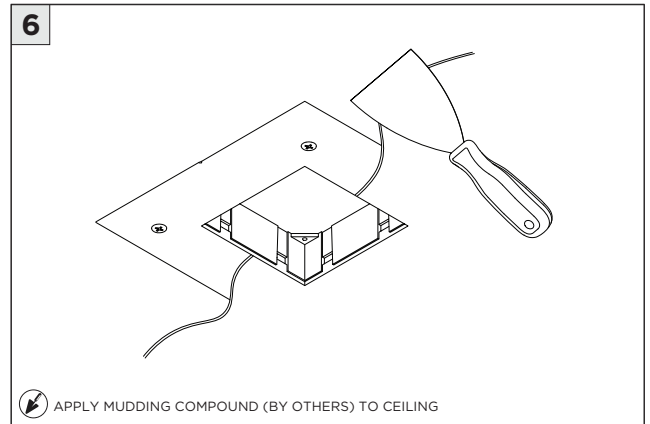
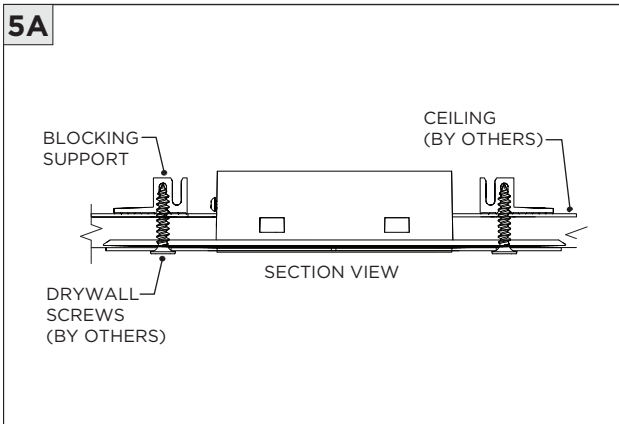
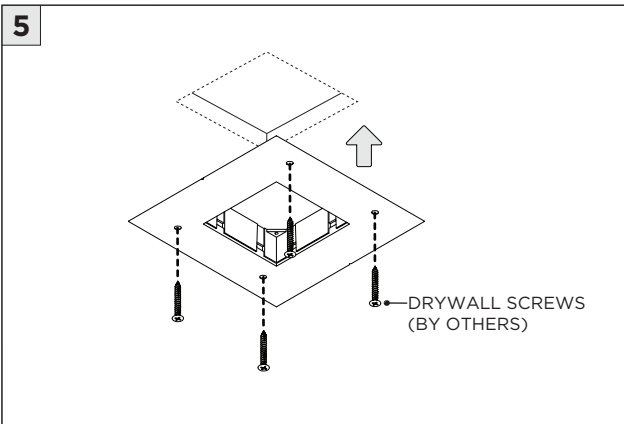
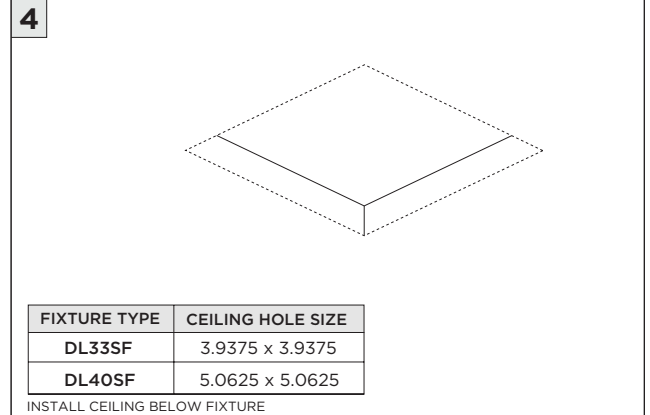
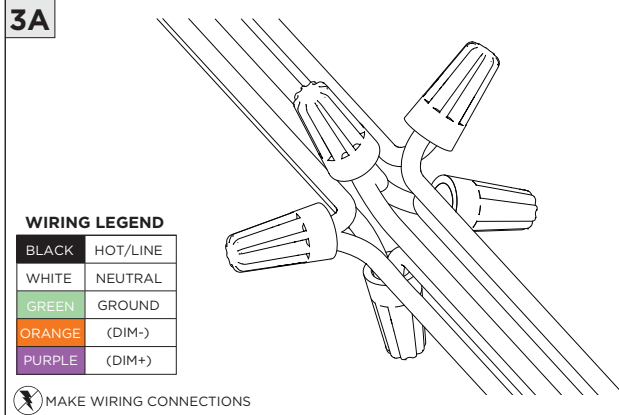
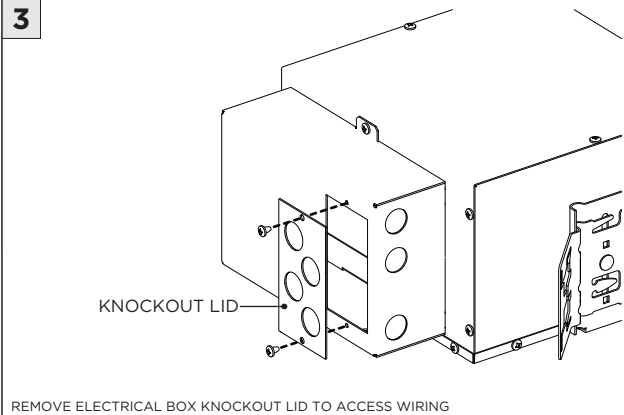
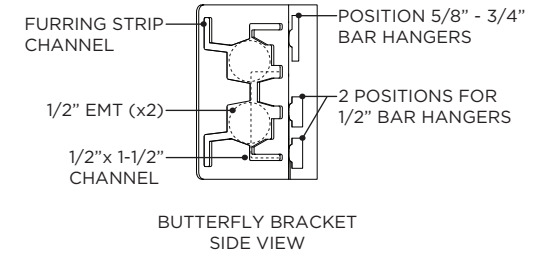
CONNECT SAFETY CABLE & QUICK-CONNECT CABLE TO LED ASSEMBLY

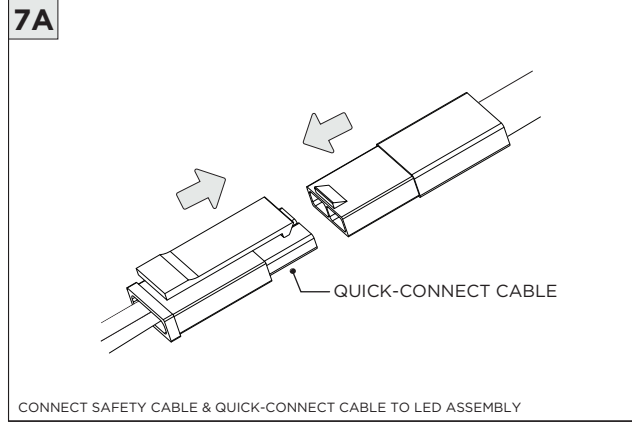
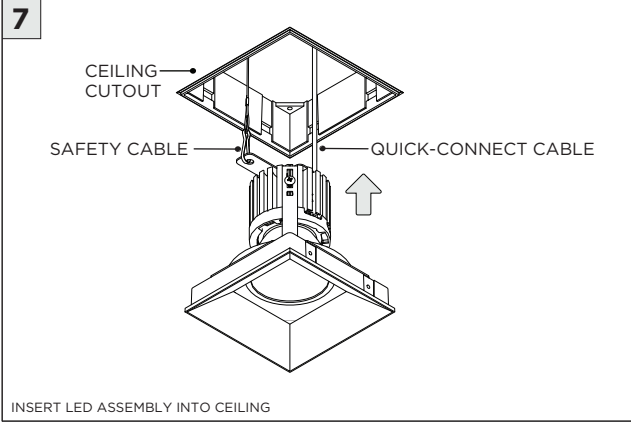
NC/IC - NEW CONSTRUCTION HOUSING (FOR NEW CONSTRUCTION ONLY)

1 BAR HANGER INSTALLATION
(IF SUPPLIED BY 3G)



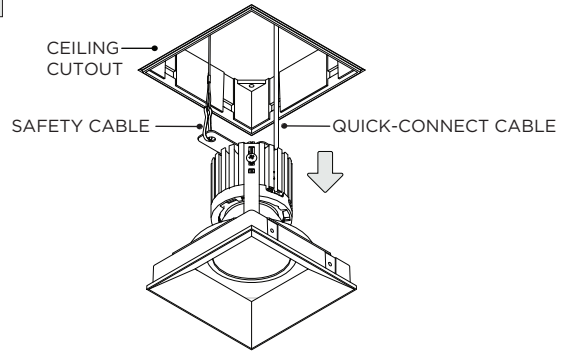
2 OTHER BAR HANGER INSTALLATION
(NOT PROVIDED BY 3G)





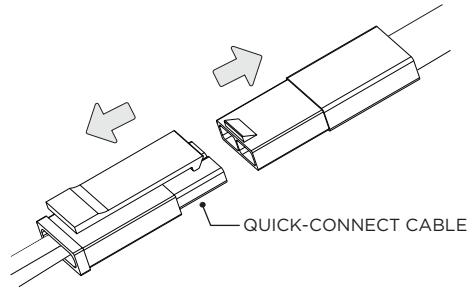
LED SERVICING

1



REMOVE LED ASSEMBLY FROM CEILING

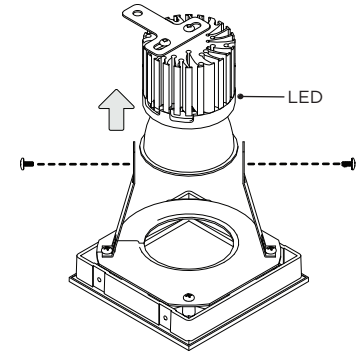
2



DISCONNECT SAFETY CABLE & QUICK-CONNECT CABLE FROM LED ASSEMBLY

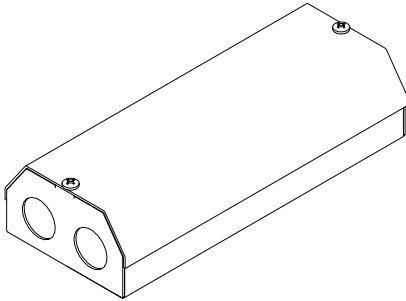
3

FOR DL33/DL45



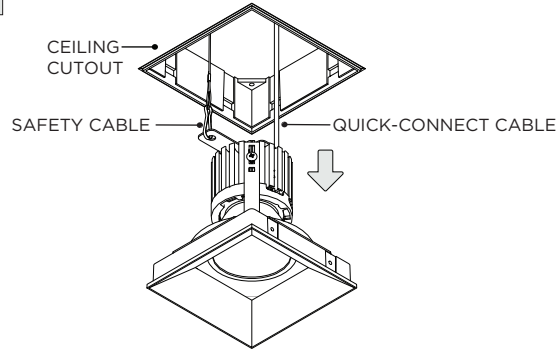
DRIVER SERVICING

1 RMD - REMODEL



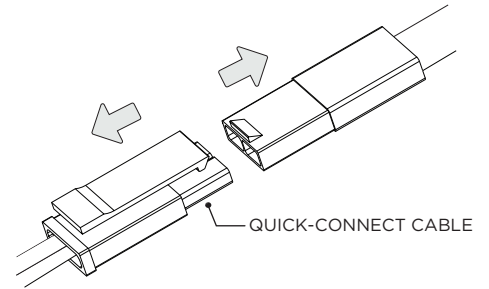
 DISCONNECT POWER BEFORE SERVICING

2



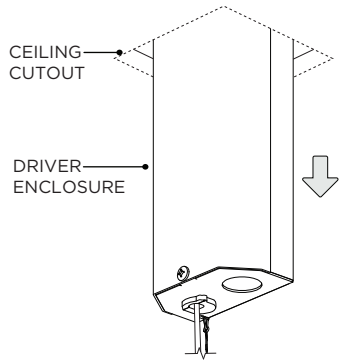
REMOVE LED ASSEMBLY FROM CEILING

2A

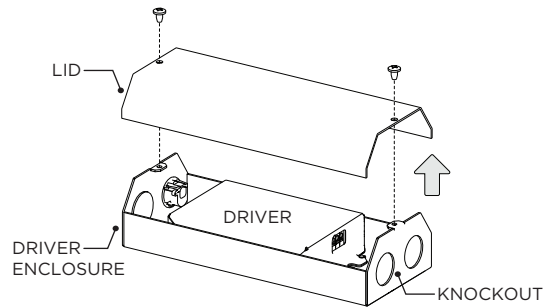


DISCONNECT SAFETY CABLE & QUICK-CONNECT CABLE FROM LED ASSEMBLY

3

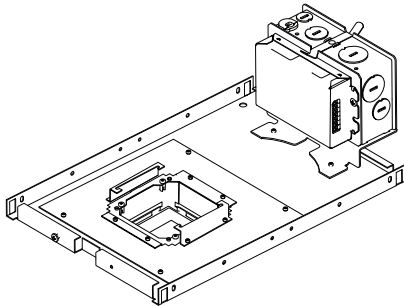


4



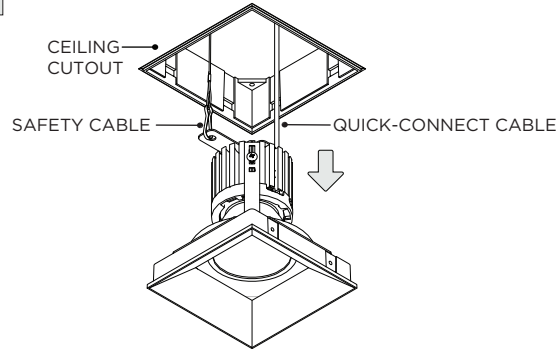
DRIVER SERVICING

1 NCF - NEW CONSTRUCTION FRAME



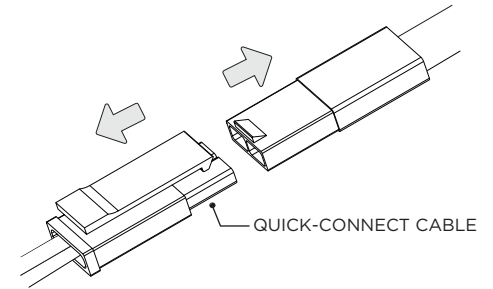
DISCONNECT POWER BEFORE SERVICING

2



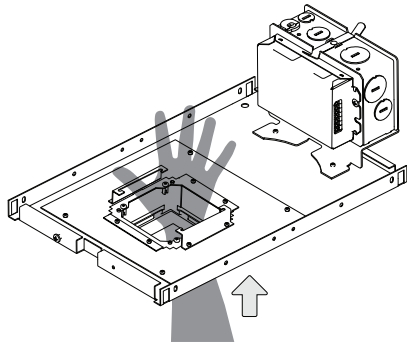
REMOVE LED ASSEMBLY FROM CEILING

2A

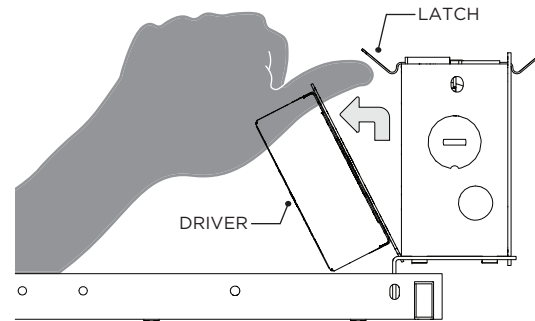


DISCONNECT SAFETY CABLE & QUICK-CONNECT CABLE FROM LED ASSEMBLY

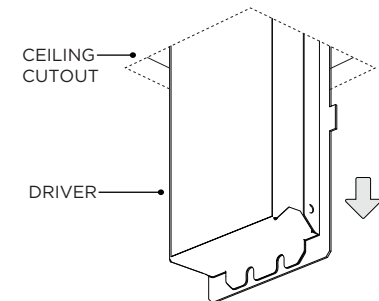
3



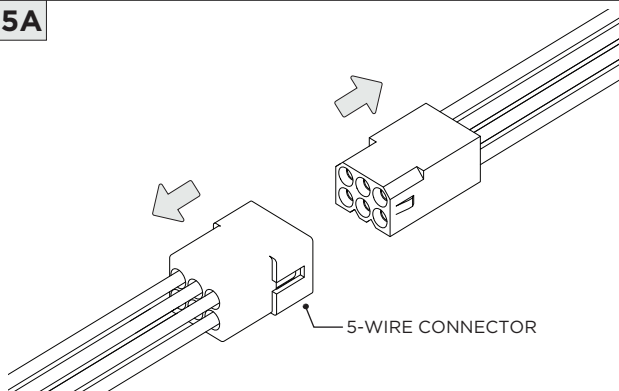
4



5



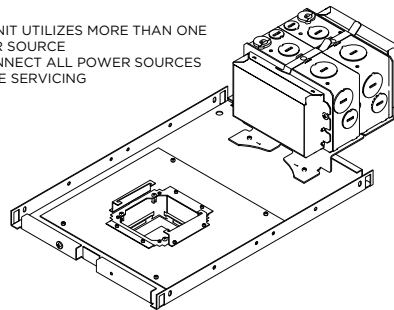
5A



DISCONNECT 5-WIRE CONNECTOR

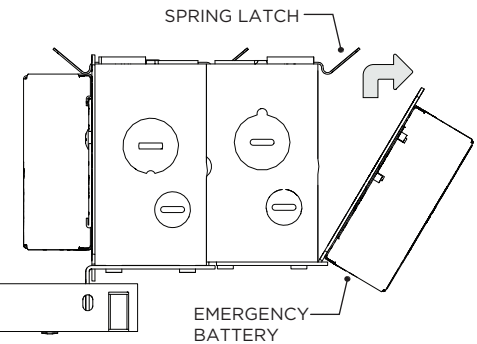
**6 NCF - NEW CONSTRUCTION FRAME
FOR INTEGRATED BATTERY ONLY**

THIS UNIT UTILIZES MORE THAN ONE
POWER SOURCE
 DISCONNECT ALL POWER SOURCES
BEFORE SERVICING



ACCESS ABOVE CEILING REQUIRED FOR DRIVER SERVICING

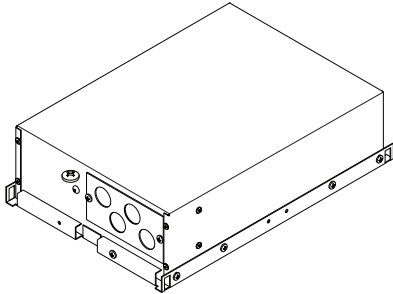
7



REMOVE BATTERY BOX COVER TO ACCESS WIRING

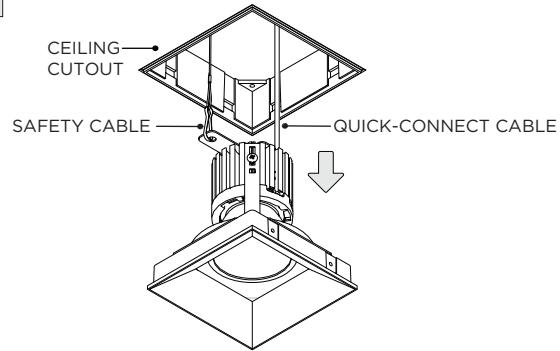
DRIVER SERVICING

1 SH - SHALLOW HOUSING



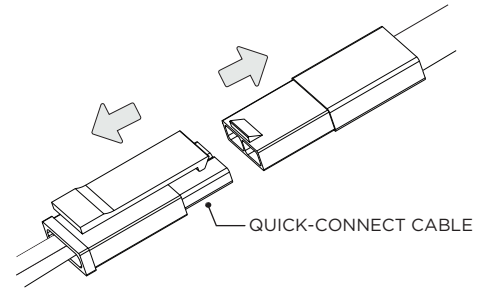
 DISCONNECT POWER BEFORE SERVICING

2



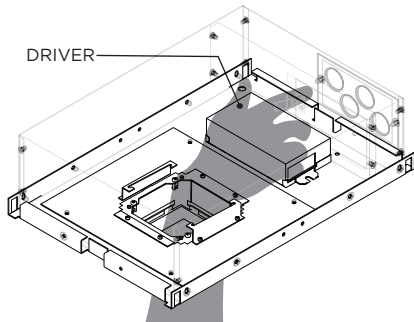
REMOVE LED ASSEMBLY FROM CEILING

2A



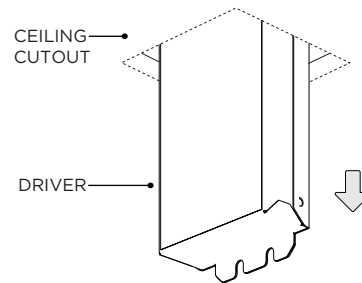
DISCONNECT SAFETY CABLE & QUICK-CONNECT CABLE FROM LED ASSEMBLY

3

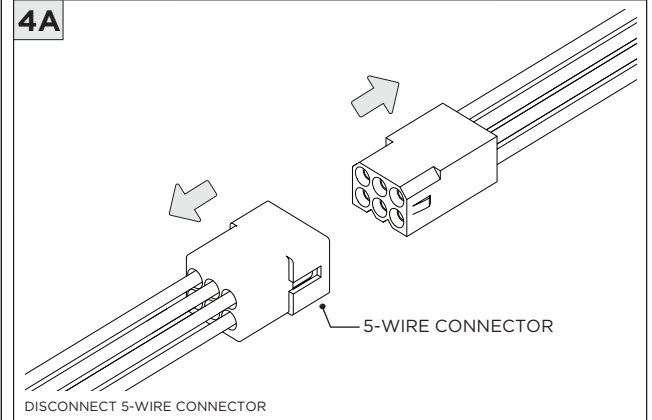


REMOVE DRIVER - SECURED WITH HOOK-AND-LOOP FASTENER

4



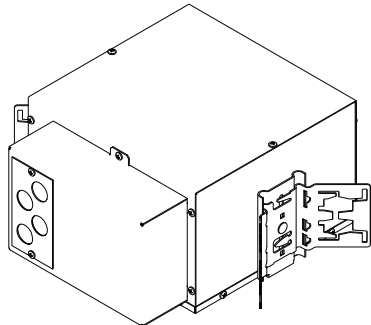
4A



DISCONNECT 5-WIRE CONNECTOR

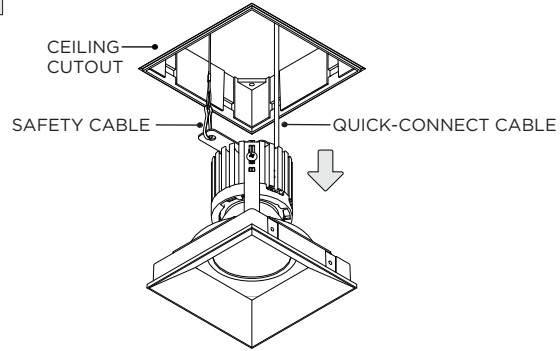
DRIVER SERVICING

1 NC - NEW CONSTRUCTION HOUSING



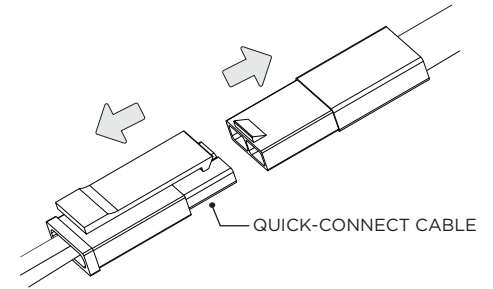
DISCONNECT POWER BEFORE SERVICING

2



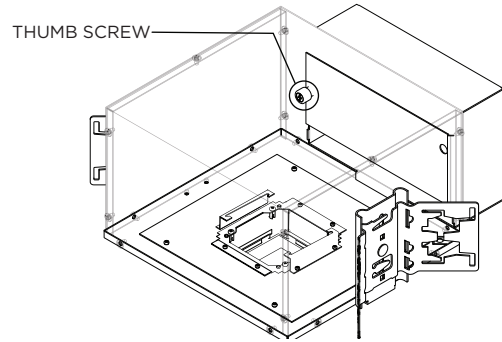
REMOVE LED ASSEMBLY FROM CEILING

2A

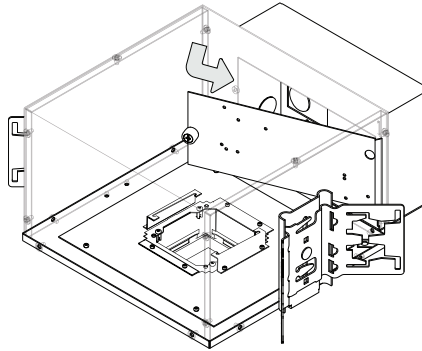


DISCONNECT SAFETY CABLE & QUICK-CONNECT CABLE FROM LED ASSEMBLY

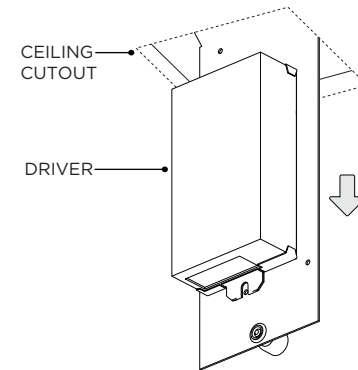
3



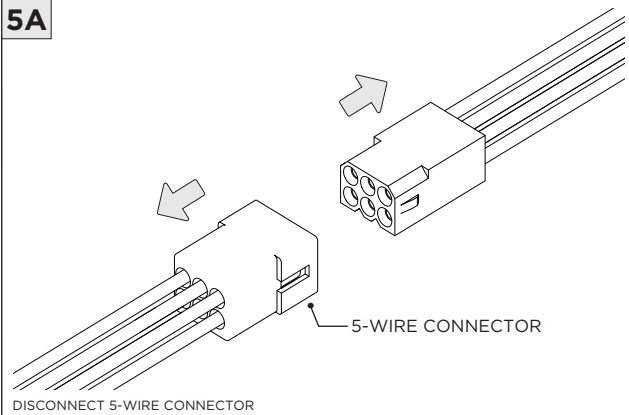
4



5



5A



DISCONNECT 5-WIRE CONNECTOR