

3G LIGHTING

3G-DL33SF

3.3" SQUARE FIXED
DOWNLIGHT



3.3" Square fixed downlight with upgraded performance
Standard 95+ CRI LED system with performance up to 133 LPW
Delivered lumen range up to 3000lm at 95+ CRI
Regressed LED source for enhanced glare control
20° to 90° beam angle options suitable for various applications
Title 24 JA8 certified with maximum 1500lm output
Companion to 3G's Cylinder product family



PROJECT:		TYPE:	
CATALOG#:		DATE:	
		QTY:	

CAT. NO	LUMEN OUTPUT	CRI	COLOR TEMP	BEAM ANGLE	VOLTAGE
3G-DL33SF	10 - 1000 LUMENS 15 - 1500 LUMENS 20 - 2000 LUMENS 25 - 2500 LUMENS 30 - 3000 LUMENS <small>All lumen outputs are delivered lumens at 95+ CRI</small>	H95 - 95+ CRI	27K - 2700K 30K - 3000K 35K - 3500K 40K - 4000K	20D - 20° ¹ 40D - 40° 60D - 60° 90D - 90° * <small>*90D optic supplied with lens Not available with other lens options</small>	UNV - 120/277V 120 - 120V 347 - 347V ²

DRIVER	TRIM FLANGE	BEVELED INSERT	HOUSING TYPE
DIM - 0-10V (100-1%) LE - PHASE DIM ³ <small>(TRIAC/ELV, 100-1%)</small> DO1 - 0-10V (100-0.1%) DALI - DALI (100-1%) ⁴ DMX - DMX (100-0%) DHL2 - LUTRON HI-LUME LDE1 <small>(1% ECOSYSTEM)</small>	WT - WHITE TRIM BT - BLACK TRIM ST - SILVER TRIM XTR - TRIMLESS (MUD-IN DRYWALL) MWF - FLANGELESS MILLWORK ⁵	WI - WHITE BI - BLACK SI - SILVER	RMD - REMODEL (NON-IC) NCF - NEW CONSTRUCTION FRAME (NON-IC) SH - SHALLOW HOUSING ⁶ <small>(IC RATED & CP RATED)</small> NC - NEW CONSTRUCTION HOUSING (CP RATED) IC - NEW CONSTRUCTION IC HOUSING ⁶ <small>NCF and SH housings ship nailer type bar hangers NC and IC housings available with optional C-channel bar hangers</small>

OPTIONS
SF - SOFTENING LENS (SUPPLIED STANDARD) * SB - SANDBLASTED LENS LS - LINEAR SPREAD LENS WL - WET LOCATION RATED (SUPPLIED WITH SOFTENING LENS) CP - CHICAGO PLENUM ⁷ BH - C-CHANNEL BAR HANGERS EMR - REMOTE EMERGENCY BATTERY ⁸ EMB - INTEGRAL EMERGENCY BATTERY (ABOVE CEILING ACCESS REQUIRED) ⁹ <small>*Softening lens not provided with 90D optic Maximum 1 optical accessory</small>

****** 3G has upgraded our LED system and overall performance at no additional cost. We now offer 95+CRI as standard. All lumen outputs are delivered lumens. This upgraded LED system is more efficient than our previous 80CRI, 90CRI, and 97CRI options. Please see the last page of this spec sheet to cross-reference old lumen outputs with our new, 95+CRI lumen output options

- 1 20D reflector available up to 2000lm
- 2 347 available in "DIM" 0-10V only (100-1%)
- 3 Phase dimming options available in 120V only
- 4 DALI-2 (Type 6) provided as standard. Please consult factory for DALI (Type 8) options
- 5 MWF not available with Remodel (NON-IC)
- 6 Shallow Housing and New Construction IC housing available up to 2000lm
- 7 Chicago Plenum option available with Shallow Housing (2000lm max) and New Construction Housing
- 8 Supplied with enclosure with Emergency Battery and driver. Installed remotely by others. Not accessible through fixture aperture
- 9 Available with NCF (New construction frame housing) only. Above ceiling access required. Not accessible through fixture aperture



JA8 (Title 24) Listing available with 1500lm maximum
Driver options include "DIM" (0-10V) and "LE" (Phase dimming)

PERFORMANCE

LUMEN OUTPUT	DELIVERED LUMENS	SYSTEM WATTS	EFFICACY (LPW)
1000	1000	9.3	114
1500	1500	13.6	112
2000	2000	18.4	109
2500	2500	23.9	104
3000	3000	29.9	100

BASED ON 95+ CRI, 3500K, 40D OPTIC WITH SOFTENING LENS
Lumen output and actual wattage may vary +/- 5%

MULTIPLIERS

BEAM ANGLE	
20D	1.17
40D	1.00
60D	0.97
90D	0.85

COLOR TEMP	
2700K	0.98
3000K	1.00
3500K	1.00
4000K	1.02

HOUSING

Remodel, new construction frame, shallow housing, new construction and IC housing options available
Maximum ceiling thickness of 1.5". Consult factory for modifications
All housing options (except millwork) designed to be easily converted in field to trim or trimless with minimal components
Housing rated for #12 AWG (4 in, 4 out), 90°C conductors and through branch wiring

BEVELED INSERT

Cast aluminum beveled insert with matte powder coated finish
3.3" aperture with regressed LED source for enhanced glare control

TRIM

Machined aluminum trim flange with matte powder coated finish and minimal 0.375" overlap

TRIMLESS

Mudding flange features a perforated surface for easy mud-in application
Integral blocking support provided to ensure fixture is properly secured within ceiling structure

OPTICS

Proprietary anodized, aluminum reflectors
Beam angle available in 20°, 40°, 60° and 90°
Reflectors are field replaceable (20° reflector not interchangeable)
Softening lens supplied standard

LED SYSTEM

Standard 95+ CRI
Color consistency <2 SDCM
Available in 27K, 30K, 35K, and 40K
L90 > 50,000 hours

ELECTRICAL

Standard 0-10V, constant current drivers
100-1% dimming range and >0.9 power factor
Standard 120/277V universal voltage with several driver options
120V Forward Phase/Reverse Phase driver option (100-1%)
Integral drivers are easily accessible through luminaire aperture

EMERGENCY

7W output for 90 minutes (+/- 800lm at 95+ CRI). Title 24 Certified
Integral emergency battery (above ceiling access required)
Remote emergency battery (not accessible through fixture aperture)
Maximum remote mounting distance:
3000lm or below - 50ft (12AWG) or 25ft (14AWG)
Above 3000lm - 30ft (12AWG) or 20ft (14AWG)
Caution: Emergency Battery utilizes more than one power source and servicing should be performed by qualified personnel

MOUNTING

Trim fixture designed for use in drywall, wood, acoustic, and other architectural ceilings
Trimless fixture designed for use in drywall, mud-in ceiling applications
Recommended cut-out for Millwork Flangeless option (3.625"x3.625")
Recommended cut-out for other housing options (3 15/16"x3 15/16")
New construction frame and IC rated shallow housing ship with nailer type bar hangers (14" to 26" extension)
Optional C-Channel bar hangers available for NC and IC housing options

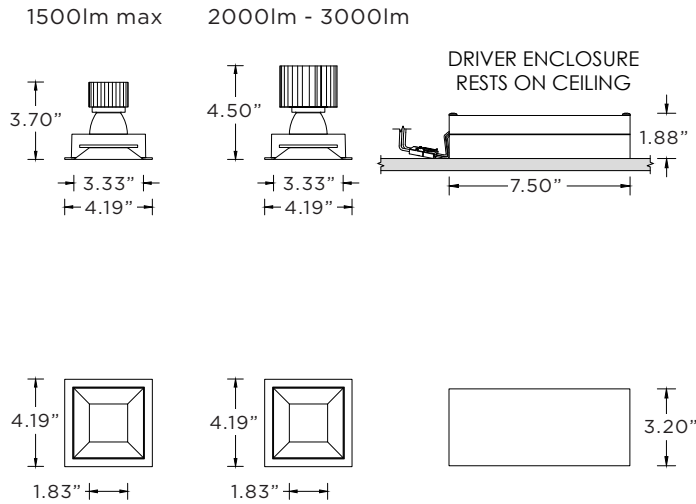
LISTING

ETL listed and conforms to UL1598 standard
Certified to CSA22.2 NO.250.0.
JA8 (Title 24) Listed
Rated for dry or damp locations

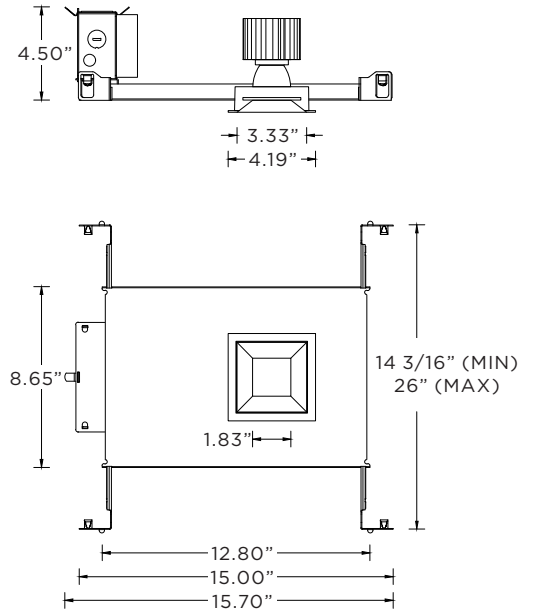
WARRANTY

5 year limited warranty
LED system rated for operation in ambient environments up to 25°C

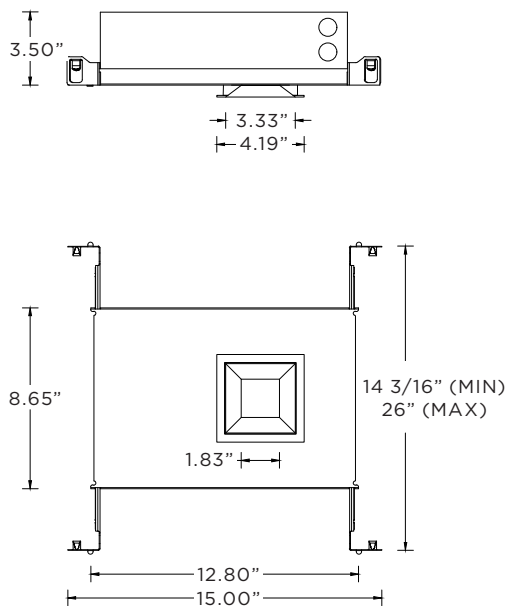
RMD - REMODEL (NON-IC)



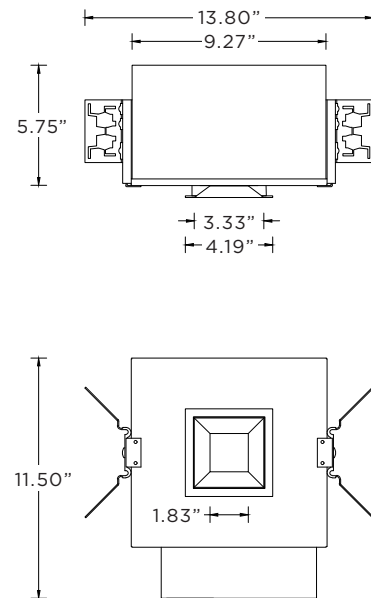
NCF - NEW CONSTRUCTION FRAME (NON-IC)



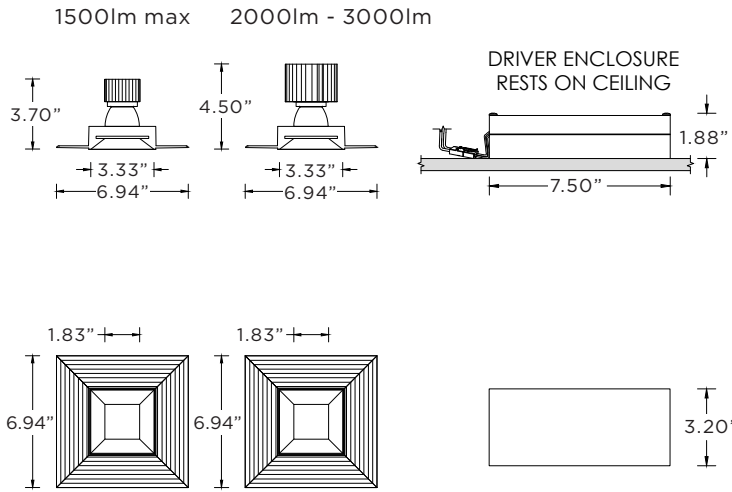
SH - SHALLOW HOUSING (2000LM MAX)
(IC RATED AND CP RATED)



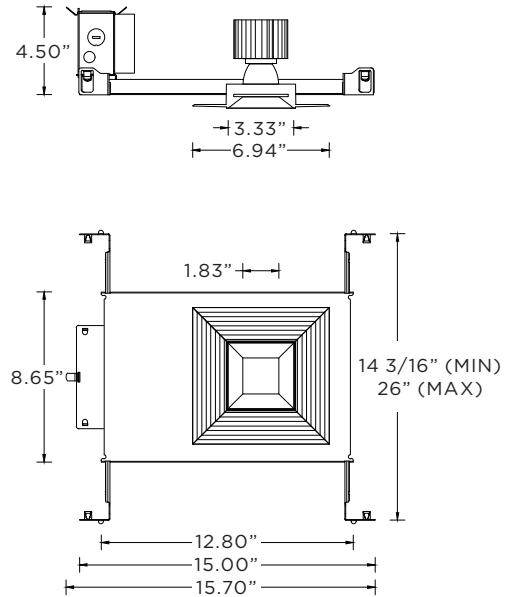
NC- NEW CONSTRUCTION HOUSING (NON-IC AND CP RATED)
IC - NEW CONSTRUCTION IC HOUSING (2000LM MAX)



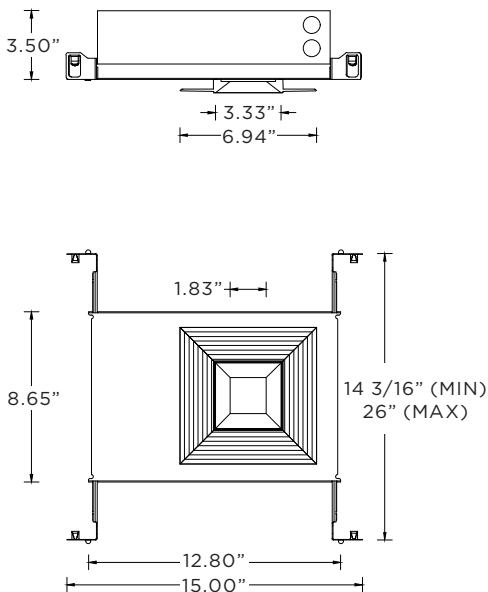
RMD - REMODEL (NON-IC)



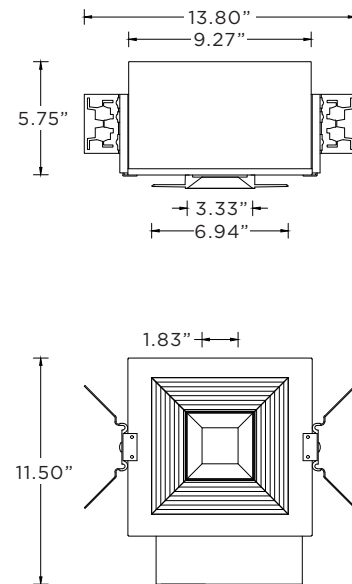
NCF - NEW CONSTRUCTION FRAME (NON-IC)



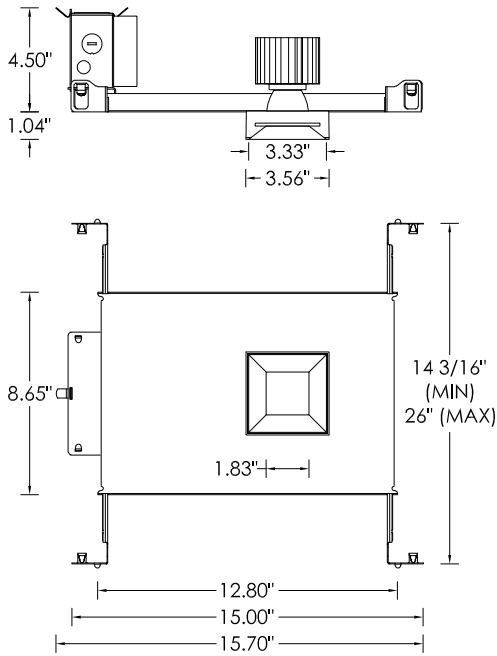
SH - SHALLOW HOUSING (2000LM MAX)
(IC RATED AND CP RATED)



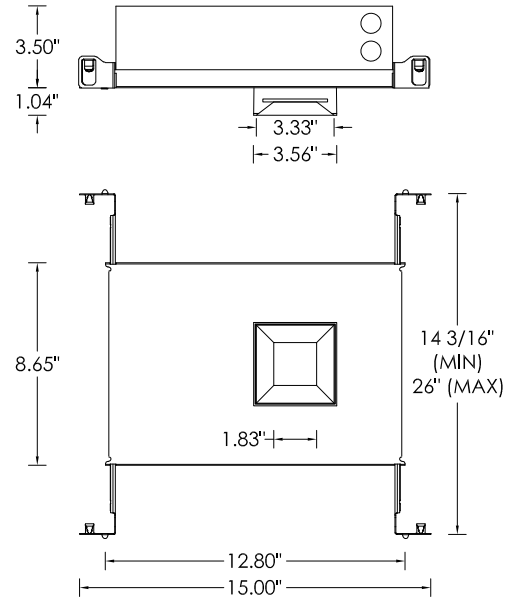
NC- NEW CONSTRUCTION HOUSING (NON-IC AND CP RATED)
IC - NEW CONSTRUCTION IC HOUSING (2000LM MAX)



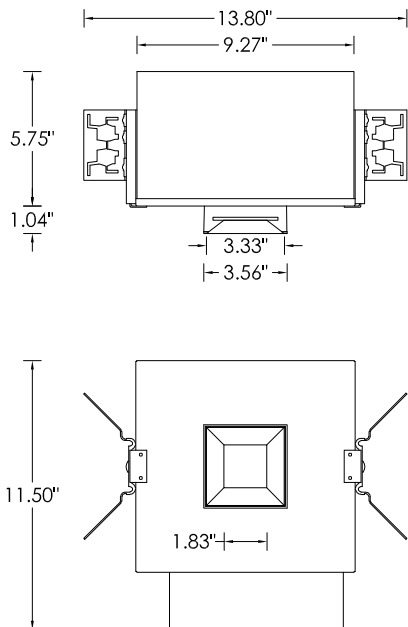
NCF - NEW CONSTRUCTION FRAME (NON-IC)



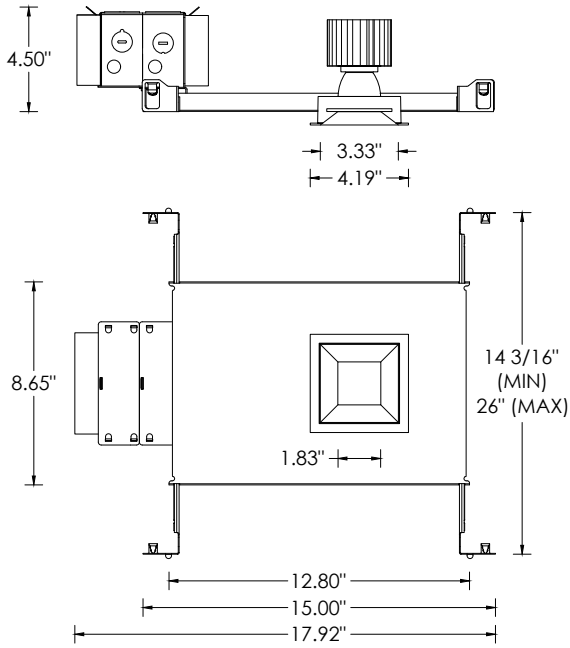
**SH - SHALLOW HOUSING (2000LM MAX)
(IC RATED AND CP RATED)**



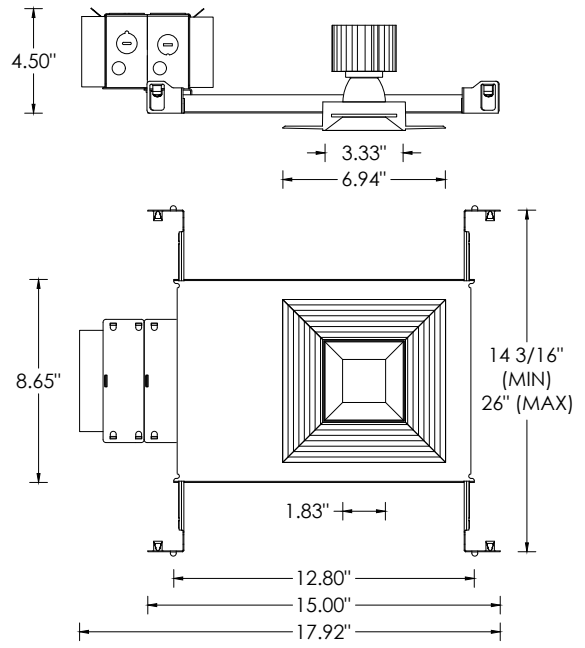
**NC - NEW CONSTRUCTION HOUSING (NON-IC AND CP RATED)
IC - NEW CONSTRUCTION IC HOUSING (2000LM MAX)**



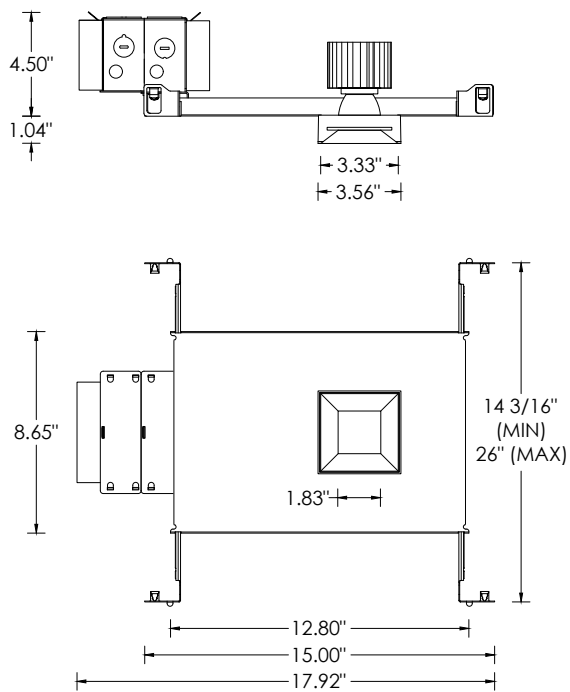
TRIM



XTR - FLANGELESS



MWF - FLANGELESS MILLWORK



LUMEN OUTPUT REFERENCE CHART

3G has upgraded our LED system and overall performance at no additional cost. We now offer 95+CRI as standard. All lumen outputs are delivered lumens. This new LED system is more efficient than our previous 80CRI, 90CRI, and 97CRI options. Please use these charts to cross-reference old lumen outputs with our new, 95+CRI lumen output options

80CRI REFERENCE CHARTS

MATCH THE GRADIENT SHADE FROM THE OLD LUMEN OUTPUT CHART TO THE NEW LUMEN OUTPUT OPTION

OLD 80CRI SPECS			
LUMEN OUTPUT	DELIVERED LUMENS	SYSTEM WATTS	EFFICACY (LPW)
1000	925	10.4	89
1500	1258	14.2	89
2200	1832	22.5	81
3000	2443	31.8	77

NEW 95+CRI SPECS			
LUMEN OUTPUT	DELIVERED LUMENS	SYSTEM WATTS	EFFICACY (LPW)
1000	1000	9.3	114
1500	1500	13.6	112
2000	2000	18.4	109
2500	2500	23.9	104
3000	3000	29.9	100

90CRI REFERENCE CHARTS

MATCH THE GRADIENT SHADE FROM THE OLD LUMEN OUTPUT CHART TO THE NEW LUMEN OUTPUT OPTION

OLD 90CRI SPECS			
LUMEN OUTPUT	DELIVERED LUMENS	SYSTEM WATTS	EFFICACY (LPW)
1000	814	10.4	74
1500	1107	14.2	73
2200	1612	22.5	66
3000	2150	31.8	62

NEW 95+CRI SPECS			
LUMEN OUTPUT	DELIVERED LUMENS	SYSTEM WATTS	EFFICACY (LPW)
1000	1000	9.3	114
1500	1500	13.6	112
2000	2000	18.4	109
2500	2500	23.9	104
3000	3000	29.9	100