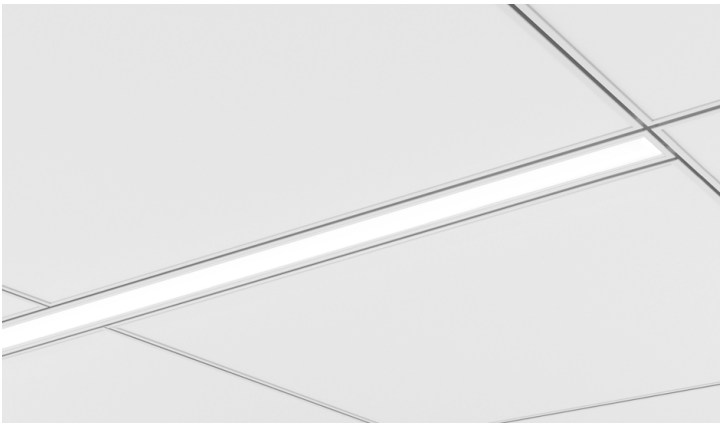




3G-1RLI

1.5" RECESSED LINEAR
GRID CEILING



Narrow 1.5" aperture with one piece extruded aluminum housing
Individual or continuous runs available in multiple run configurations
Suitable for various grid ceiling applications
Extruded acrylic lens with optimal performance and glare control
1% dimming standard with several driver options

ORDERING INFORMATION

PROJECT:	<input type="text"/>	TYPE:	<input type="text"/>
CATALOG #:	<input type="text"/>	DATE:	<input type="text"/>

CAT. NO	LUMEN OUTPUT	CRI	COLOR TEMP	VOLTAGE
3G-1RLI	L250 - LOW OUTPUT (250 LM/FT) ¹	S80 - 83+ CRI (STANDARD) H90 - 93+ CRI	27K - 2700K	UNV - 120/277V 347 - 347V (0-10V ONLY)
	L500 - MEDIUM OUTPUT (500 LM/FT)		30K - 3000K	
	L750 - HIGH OUTPUT (750 LM/FT)	35K - 3500K		
	L1000 - VERY HIGH OUTPUT (1000 LM/FT) ²	40K - 4000K		
	LC ____ - CUSTOM OUTPUT (SPECIFY LM/FT)			

DRIVER	FLANGE TYPE	LENS OPTION	LENGTH (FEET)
DIM - 0-10V (STANDARD 100-1%)	GC1 - 9/16 LAYIN	FL - FLUSH DASY - ASYMMETRIC OPTIC	S - ____' (STRAIGHT RUN)*
DHL2 - LUTRON HI-LUME LDE (100-1% ECOSYSTEM)	GC1S - 9/16 TEGULAR		L - ____' X ____' (L-SHAPE)
DALI - DALI (100-1%)	GC1P - 9/16 TEGULAR		U - ____' X ____' X ____' (U-SHAPE)
DO1 - 0-10V (100-0.1%)	GC2 - 15/16 LAYIN		R - ____' X ____' (RECTANGLE/SQUARE)
	GC2S - 15/16 TEGULAR		T - ____' X ____' (T-SHAPE)
	GC2P - 15/16 TEGULAR		X - ____' X ____' (X-SHAPE)
	GC3 - 9/16 SLOT TEE TEGULAR		CUS - ____ (CUSTOM LAYOUT)
	See mounting section for grid details		*Individual units available in 3', 4', 5', 6' and 8' Continuous runs available in 1' increments

¹ L250 (250LM/FT) not available in 2' and 3' lengths
(Please specify LC400 for 2' and 3' fixture length when outputs lower than 500LM/FT are required)
² L1000 (1000LM/FT) not available for H90 (93+ CRI)

PERFORMANCE CHART Based on 3500K, 4' length (83+ CRI and 3500K)

LENS OPTION	DELIVERED LUMENS (PER FOOT)	SYSTEM WATTS	EFFICACY (LM/W)
FLUSH	250	2.4	104
	500	4.7	105
	750	7.6	100
	1000	10.4	96
ASYMMETRIC	250	2.5	101
	500	5.0	100
	750	7.8	97
	1000	10.3	97

LUMEN OUTPUT ADJUSTMENT FACTORS	CCT	Multiplier
	2700K	0.94
	3000K	0.97
	3500K	1.00
4000K	1.01	
EFFICACY (LPW) ADJUSTMENT FACTOR	CRI	Multiplier
	93+	0.88

EDITION 01/20





3G-1RLI

LIGHTING 1.5" RECESSED LINEAR - GRID CEILING

TECHNICAL

HOUSING

- Extruded aluminum housing with narrow 1.5" aperture
- Individual units and continuous runs available in 1' increments
- 24 gauge LED reflector with high reflectance white powder coated finish
- Extruded acrylic lens with a satin finish designed for optimal performance and glare control
- Standard polyester powder coated matte white finish

ELECTRICAL

- Standard 0-10V, 100-1% dimming and 0.9 power factor
- Standard 120/277V universal voltage drivers. Optional 347V 0-10V driver
- Lutron EcoSystem and eldoLED Dali options available with 100-1% dimming
- All drivers are integral and easily accessible through the aperture

LED SYSTEM

- Proprietary LED system
- Color consistency < 3 SDCM
- Standard (83+CRI). Optional (93+CRI)
- Available in 27K, 30K, 35K, and 40K
- Average rated life of > 50,000 hours
- 5 year warranty

MOUNTING

- Housing suspended via suspension cables (by others)
- Suitable for various grid ceilings applications (see mounting details)

LISTING

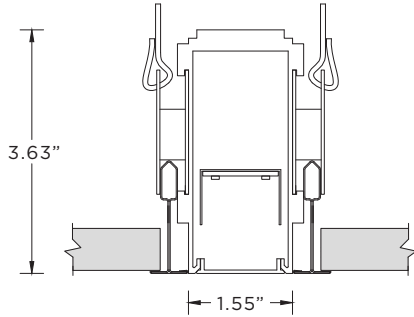
- ETL listed and tested to UL standards. Suitable for dry and damp locations

WARRANTY

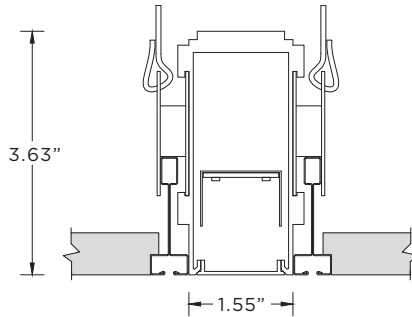
- 5 Year warranty on LED and drivers
- Manufacturer 1 year warranty for defects in material and workmanship under normal use
- Ambient temperature at fixture should not exceed 25°C

DRAWINGS AND DIMENSIONS (GRID CEILING)

GC1 - 9/16" LAYIN

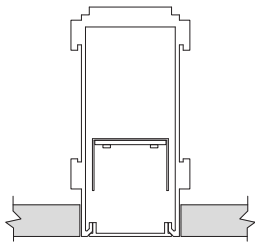


GC3 - 9/16" SLOT TEE TEGULAR

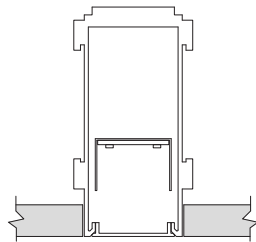


LENS OPTION

FLUSH LENS

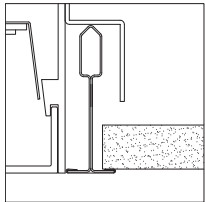


ASYMMETRIC OPTIC

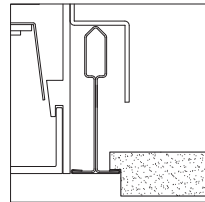


MOUNTING

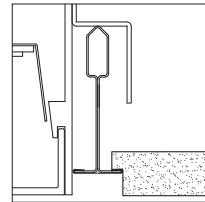
GC1 - 9/16" LAYIN



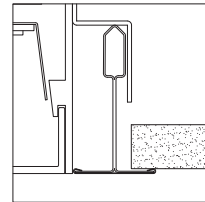
GC1S - 9/16" TEGULAR



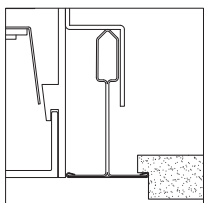
GC1P - 9/16" TEGULAR



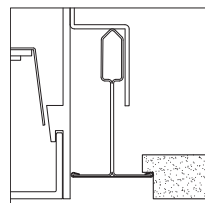
GC2 - 15/16" LAYIN



GC2S - 15/16" TEGULAR



GC2P - 15/16" TEGULAR



GC3 - 9/16" SLOT TEE TEGULAR

