



3G-1RLI

1.5" RECESSED LINEAR
TRIM, TRIMLESS & FLANGELESS

Narrow 1.5" aperture with one piece extruded aluminum housing
Individual or continuous runs available in multiple run configurations
Suitable for drywall, wood, and various architectural ceilings
Extruded acrylic lens with optimal performance and glare control
1% dimming standard with several driver options



Available Q3

ORDERING INFORMATION

PROJECT:	<input type="text"/>	TYPE:	<input type="text"/>
CATALOG #:	<input type="text"/>	DATE:	<input type="text"/>

CAT. NO	LED SYSTEM (INDIRECT)	CRI	COLOR TEMP	VOLTAGE
3G-1RLI	L250 - LOW OUTPUT (250 LM/FT)	S80 - 80+CRI (STANDARD) H90 - 90+CRI	27K - 2700K	UNV - 120/277V 347 - 347V (0-10V ONLY)
	L500 - MEDIUM OUTPUT (500 LM/FT)		30K - 3000K	
	L750 - HIGH OUTPUT (750 LM/FT)	35K - 3500K		
	L1000 - VERY HIGH OUTPUT (1000 LM/FT)	40K - 4000K		
	LC ___ - CUSTOM OUTPUT (SPECIFY LM/FT)			

DRIVER	FLANGE TYPE	LENS OPTION	LENGTH (FEET)
DIM - 0-10V (STANDARD 100-1%) DHL2 - LUTRON HI-LUME LDE (100-1% ECOSYSTEM) DALI - DALI (100-1%) DO1 - 0-10V (100-0.1%)	WT - WHITE TRIM XTR - TRIMLESS FX - FLANGELESS	FL - FLUSH	S - ___' (STRAIGHT RUN)* L - ___' X ___' (L-SHAPE) U - ___' X ___' X ___' (U-SHAPE) R - ___' X ___' (RECTANGLE/SQUARE) T - ___' X ___' (T-SHAPE) X - ___' X ___' (X-SHAPE) CUS - CUSTOM LAYOUT

*Individual units available in 3', 4', 5', 6' and 8'
Continuous runs available in 1' increments

PERFORMANCE CHART (Based on 3500K, 4' length)

LENS OPTION	LED SYSTEM	SYSTEM WATTS (PER FT)	DELIVERED LUMENS (PER FT)	EFFICACY (LM/W)
FLUSH	L250 - LOW OUTPUT	3.4	250	118
	L500 - MEDIUM OUTPUT	6.9	500	120
	L750 - HIGH OUTPUT	10.4	750	115
	L1000 - VERY HIGH OUTPUT	13.9	1000	125

LUMEN OUTPUT ADJUSTMENT FACTORS: (27K=0.94) (30K=0.97) (35K=1.00) (40K=1.01)

EDITION 06/19





3G-1RLI

LIGHTING 1.5" RECESSED LINEAR - TRIM, TRIMLESS & FLANGELESS

TECHNICAL

HOUSING

Extruded aluminum housing with narrow 1.5" aperture
Individual units and continuous runs available in 1' increments
Trim flange with matte white powder coated finish and minimal 0.400" overlap
Trimless model features a satin coat mudding flange
24 gauge LED reflector with high reflectance white powder coated finish
Extruded acrylic lens with a satin finish designed for optimal performance and glare control
Standard polyester powder coated matte white finish

ELECTRICAL

Standard 0-10V, 100-1% dimming and 0.9 power factor
Standard 120/277V universal voltage drivers. Optional 347V 0-10V driver
Lutron EcoSystem and eldoLED Dali options available with 100-1% dimming
All drivers are integral and easily accessible through the aperture

LED SYSTEM

Proprietary LED system
Color consistency < 3 SDCM
Standard (80+CRI). Optional (90+CRI)
Available in 27K, 30K, 35K, and 40K
Average rated life of > 50,000 hours
5-year warranty

MOUNTING

Housing suspended via 1/4" threaded rod (by others)
Trim fixture designed for use in drywall, wood, and other architectural ceiling materials
Trimless fixture designed for use in drywall, mud-in ceiling applications
Flangeless fixture designed for use in wood ceilings

LISTING

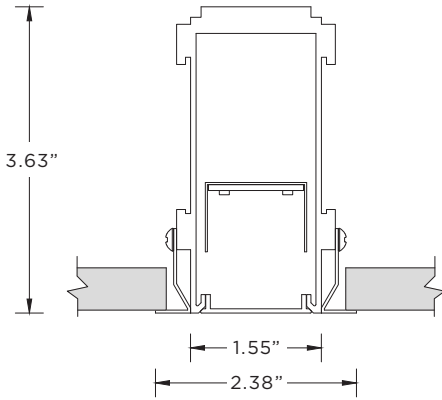
ETL listed and tested to UL standards. Suitable for dry and damp locations

WARRANTY

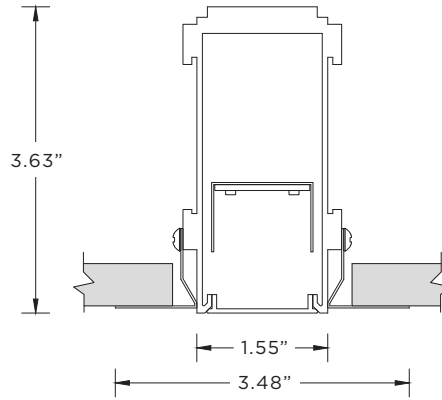
5 Year warranty on LED and drivers
Manufacturer 1-year warranty for defects in material and workmanship under normal use
Ambient temperature at fixture should not exceed 25°C

DRAWINGS AND DIMENSIONS

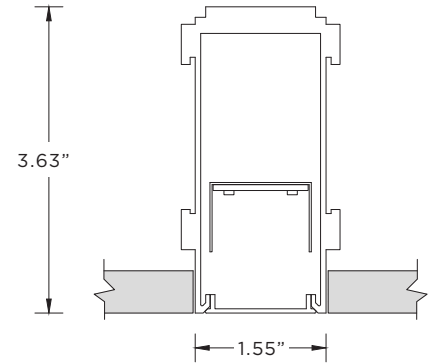
WT - TRIM



XTR - TRIMLESS

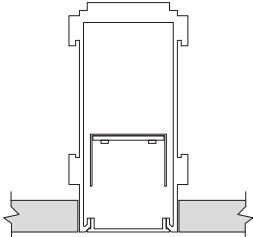


FX - FLANGELESS



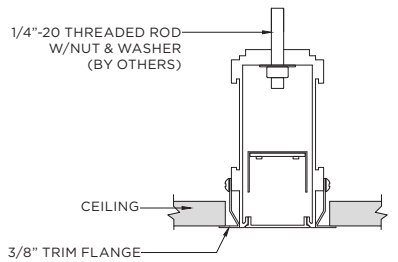
LENS OPTION

FL - FLUSH LENS



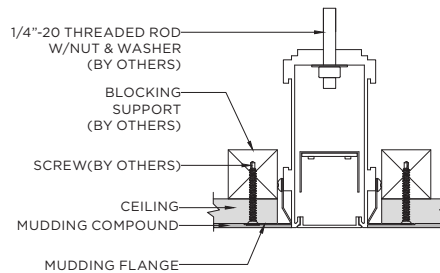
MOUNTING

WT - TRIM



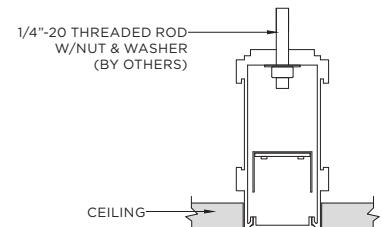
CEILING CUT-OUT
2.13" x (LENGTH + 0.4")

XTR - TRIMLESS



CEILING CUT-OUT
2.13" x (LENGTH + 0.4")

FX - FLANGELESS



CEILING CUT-OUT
1.6" x (LENGTH + 0.125")