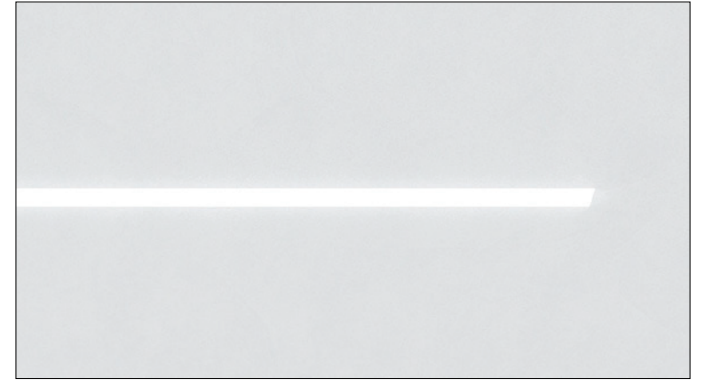
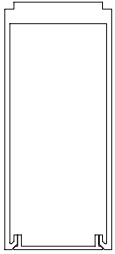
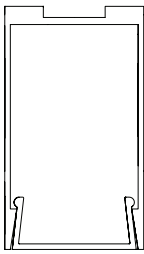
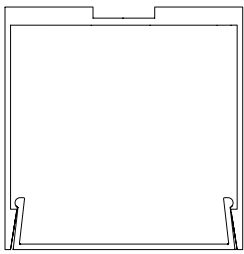
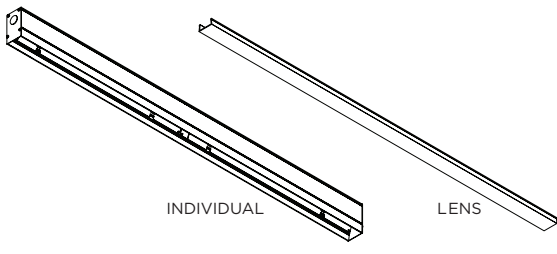
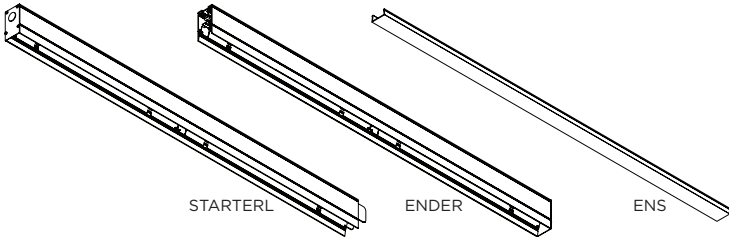
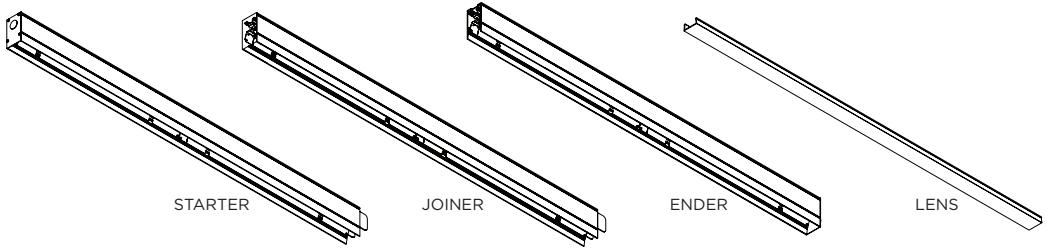




3G-1RLI, 3G-2RLI, and 3G-4RLI
1.5", 2", and 3.5" RECESSED LINIA
 FLANGELESS/TRIM FLANGE



⚠ FOR NEW CONSTRUCTION INSTALLATION ONLY

FIXTURE TYPES			INCLUDED COMPONENTS	
<p>1RLI PROFILE</p> 	<p>2RLI PROFILE</p> 	<p>4RLI PROFILE</p> 	<p>Standalone Fixtures (2' to 8')</p>  <p>INDIVIDUAL LENS</p>	
<p>Continuous Runs (9' to 16')</p>  <p>STARTERL ENDER ENS</p>			<p>Continuous Runs (17' and longer)</p>  <p>STARTER JOINER ENDER LENS</p>	

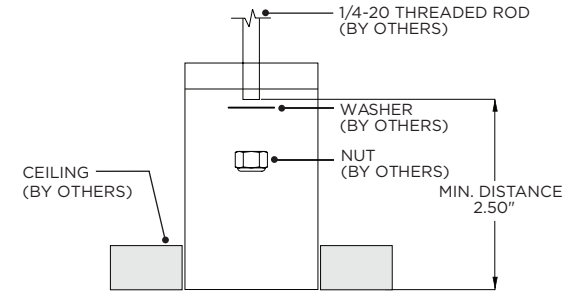
INSTRUCTION KEY	INFORMATION
⚠	ADDITIONAL
ⓘ	ATTENTION
⚡	POWER ON
ⓧ	POWER OFF
	<p>INSTALLATION SHOULD ONLY BE PERFORMED BY A CERTIFIED ELECTRICIAN REFER TO LOCAL/NATIONAL CODES FOR PROPER INSTALLATION FAILURE TO FOLLOW INSTALLATION INSTRUCTION MAY VOID THE WARRANTY DO NOT TOUCH LEDS. LEDS MUST BE PROTECTED FROM MECHANICAL STRESS OR DEBRIS TURN OFF POWER DURING INSTALLATION OR SERVICING</p>

OVERVIEW

3G-1RLI, 2RLI ,4RLI - FLANGELESS - FX



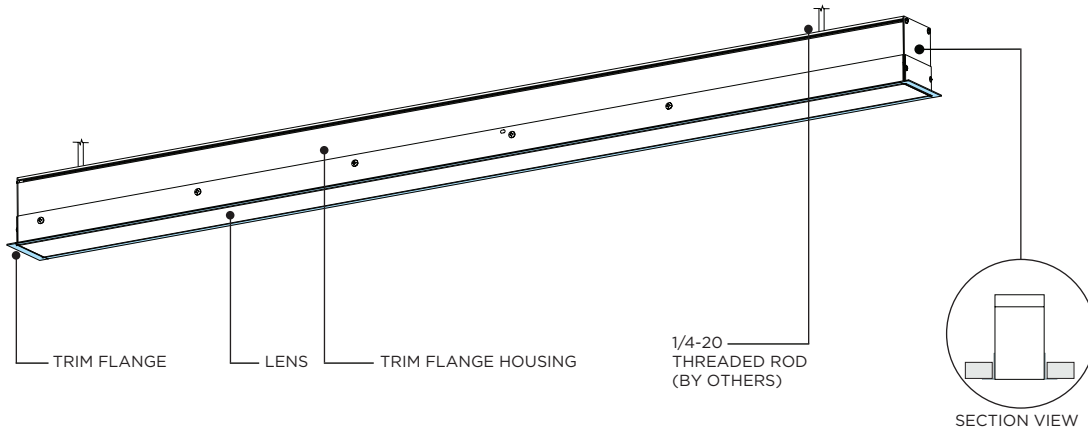
FLANGELESS - FX



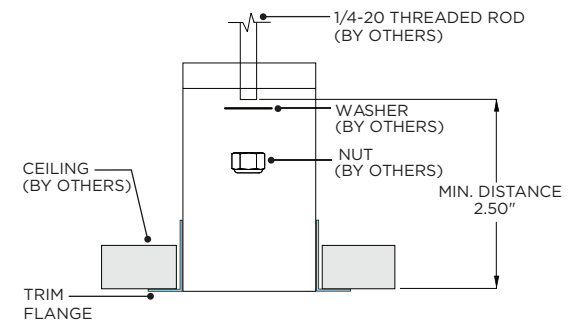
FLANGELESS - FX - CEILING CUT-OUT DIMENSIONS

FIXTURE TYPE	WIDTH	LENGTH
3G-1RLI	1.600"	LENGTH + 0.125"
3G-2RLI	2.063"	LENGTH + 0.125"
3G-4RLI	3.490"	LENGTH + 0.125"

3G-1RLI, 2RLI ,4RLI - WHITE TRIM FLANGE -WT



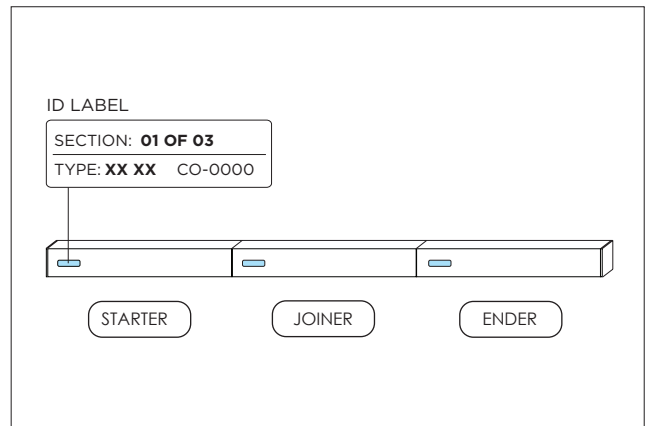
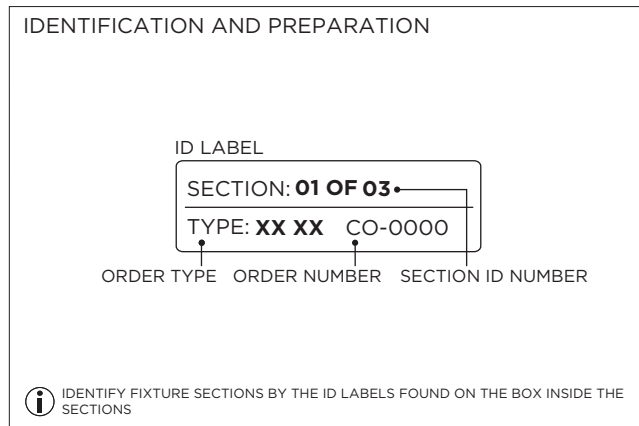
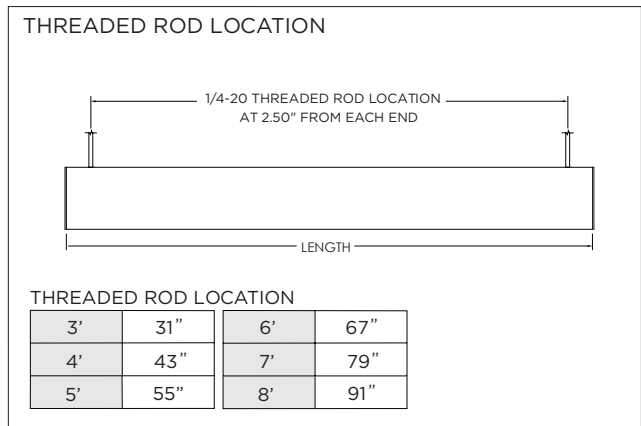
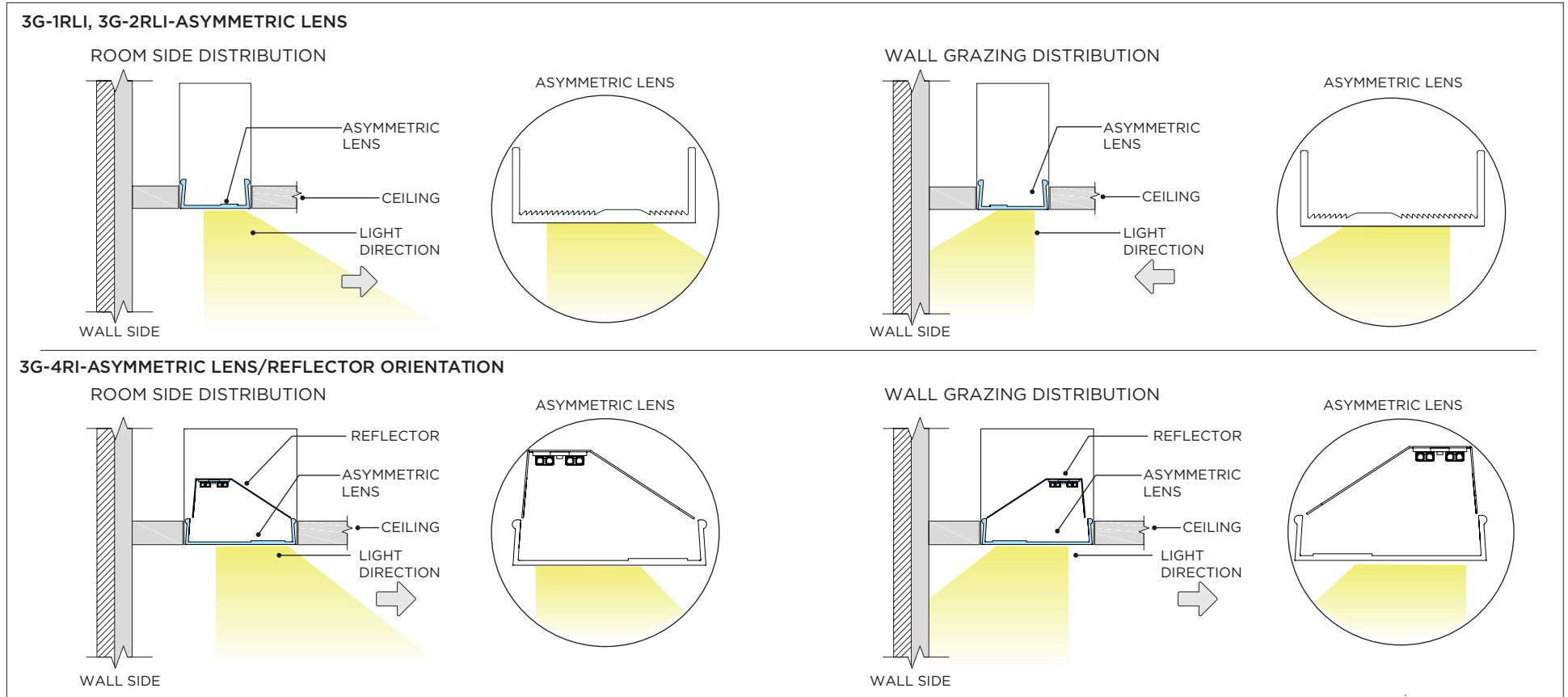
WHITE TRIM FLANGE -WT

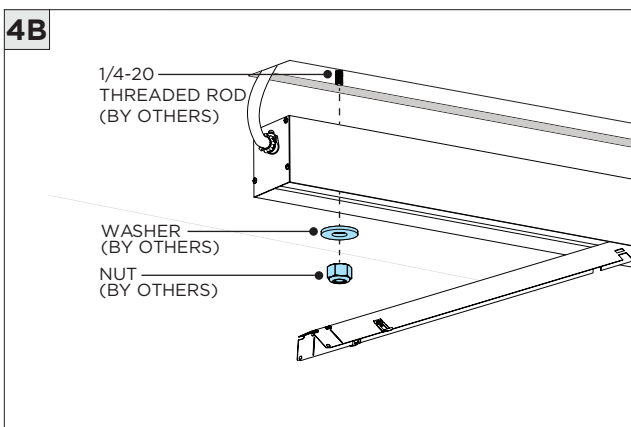
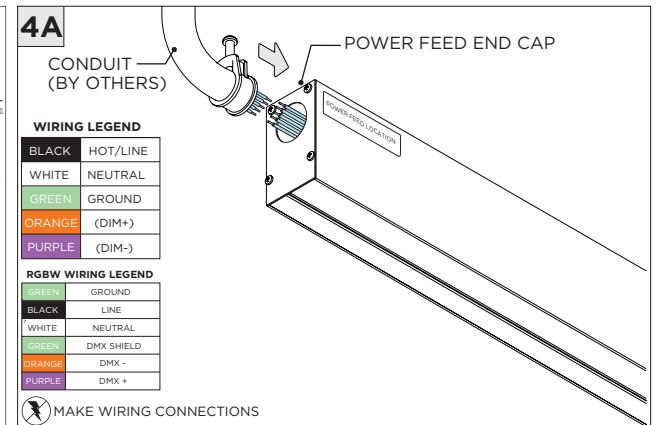
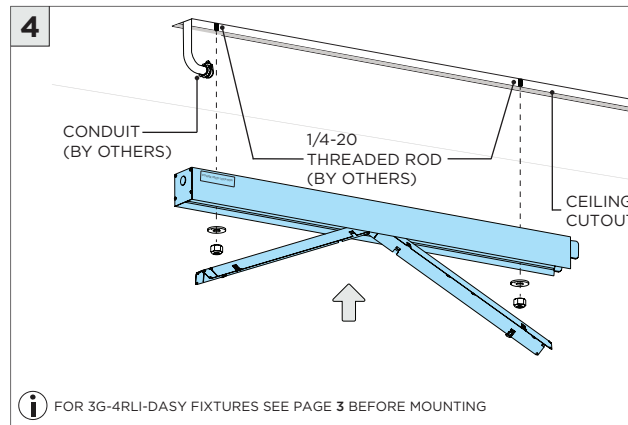
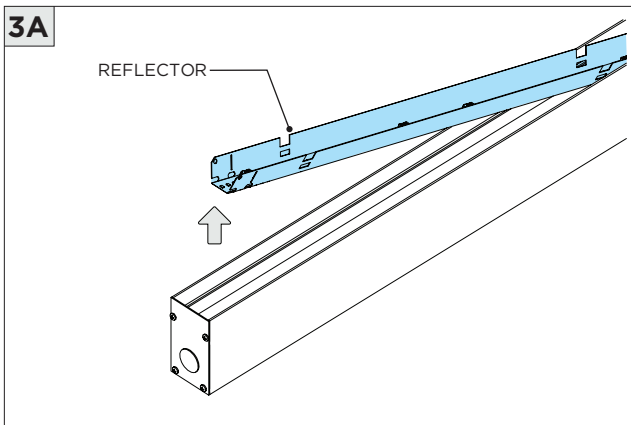
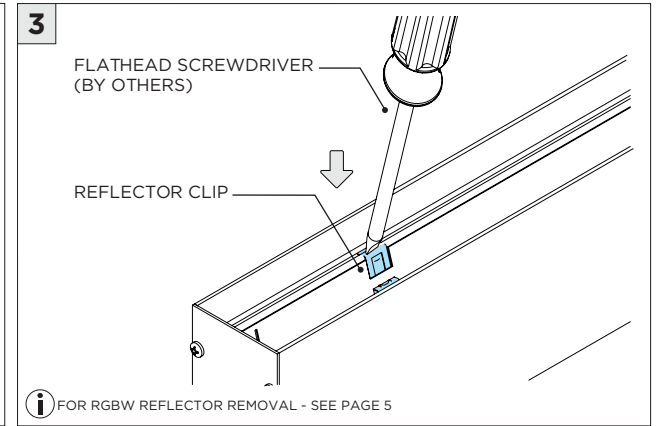
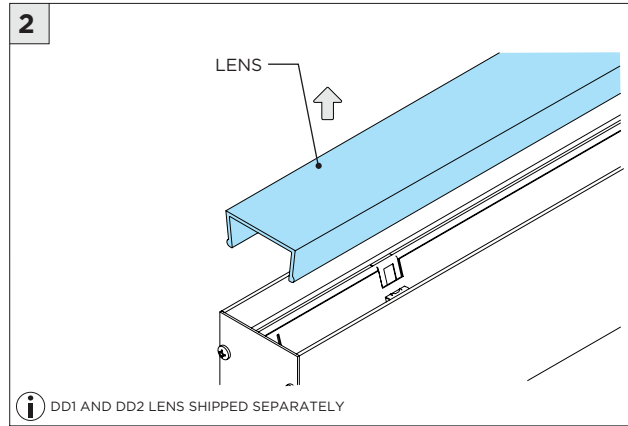
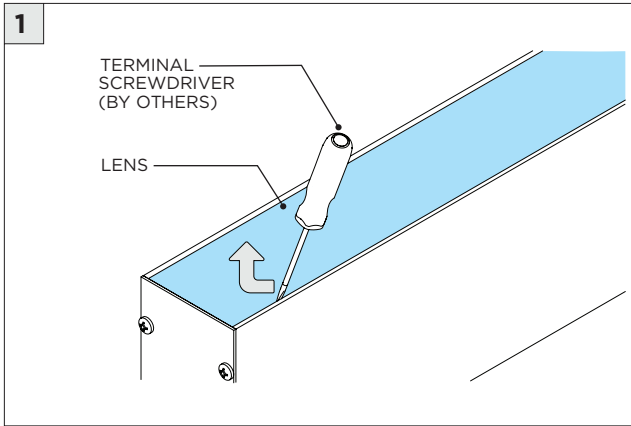


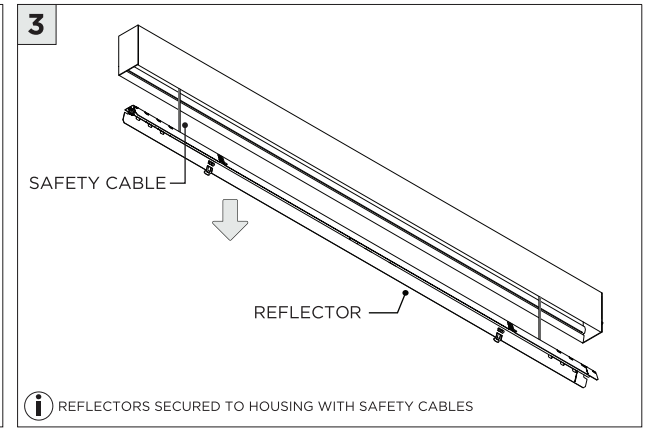
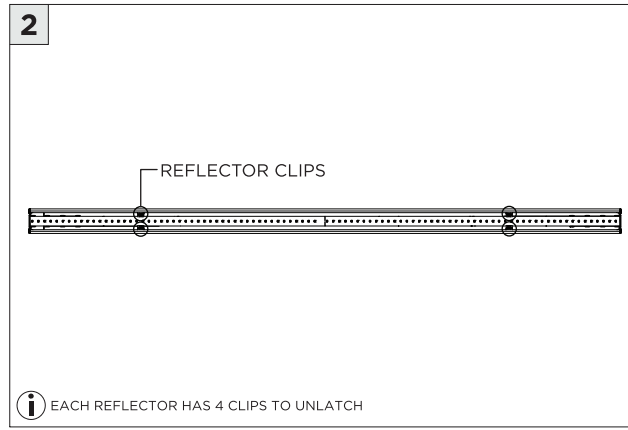
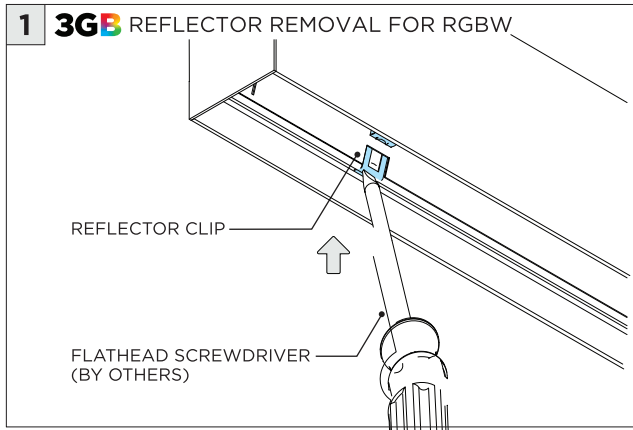
WHITE TRIM FLANGE - WT - CEILING CUT-OUT DIMENSIONS

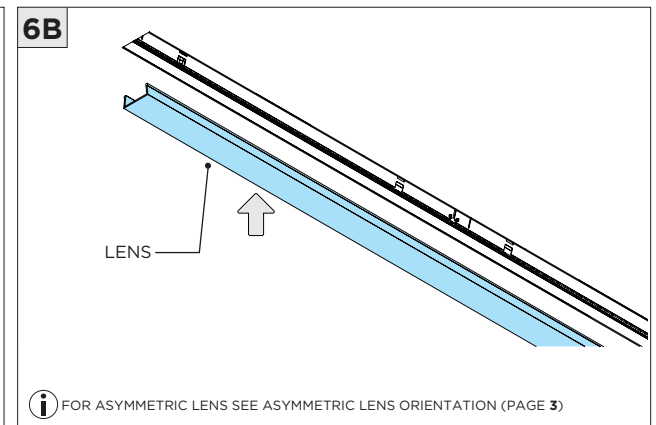
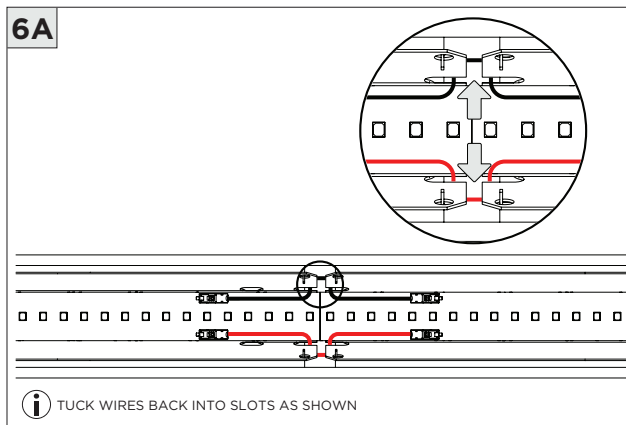
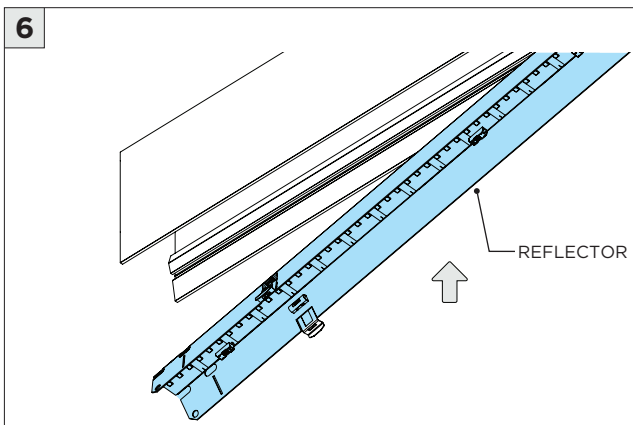
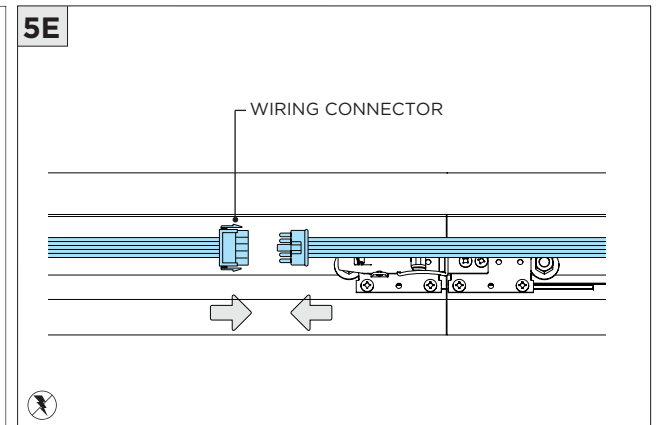
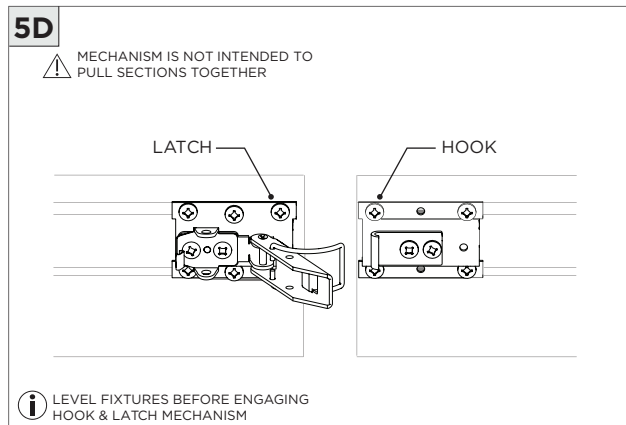
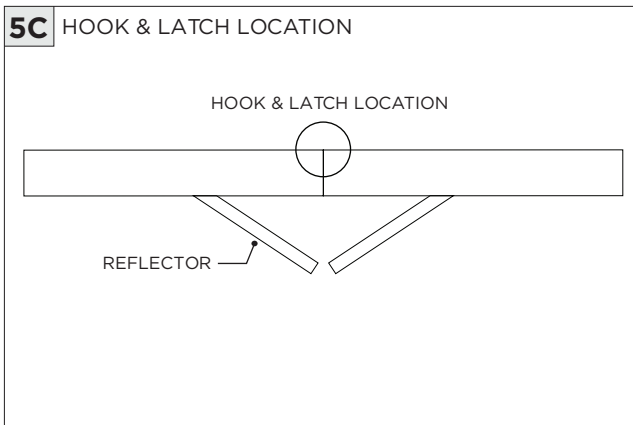
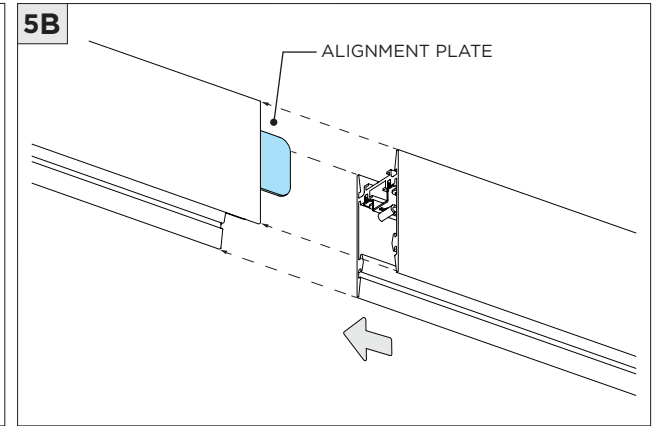
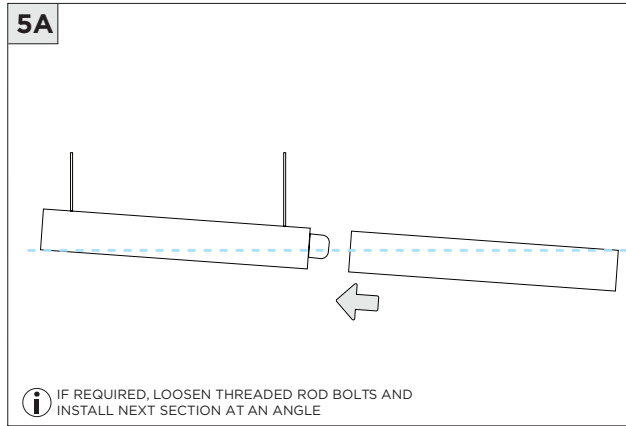
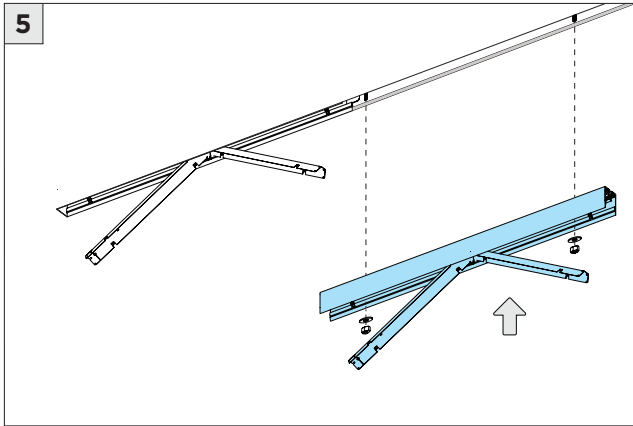
FIXTURE TYPE	WIDTH	LENGTH
3G-1RLI	2.150"	LENGTH + 0.380"
3G-2RLI	2.300"	LENGTH + 0.380"
3G-4RLI	3.750"	LENGTH + 0.380"

ASYMMETRIC LENS ORIENTATION



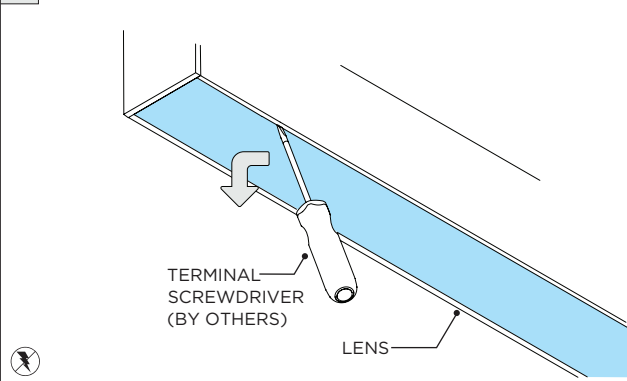




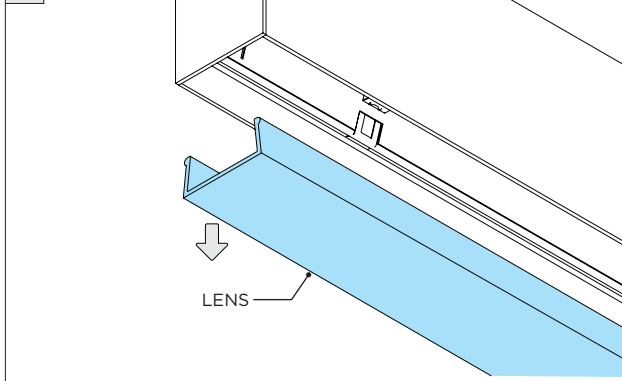


DRIVER SERVICING

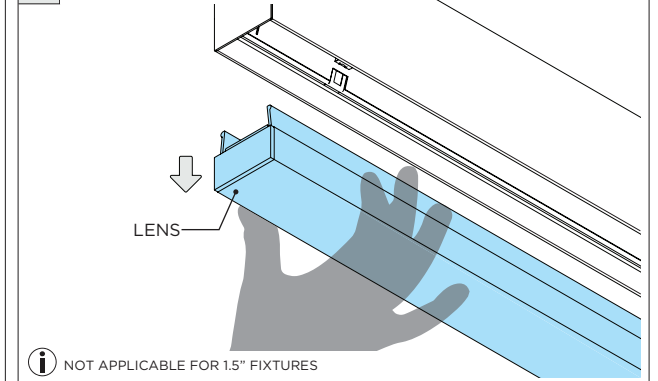
1 FLUSH LENS REMOVAL



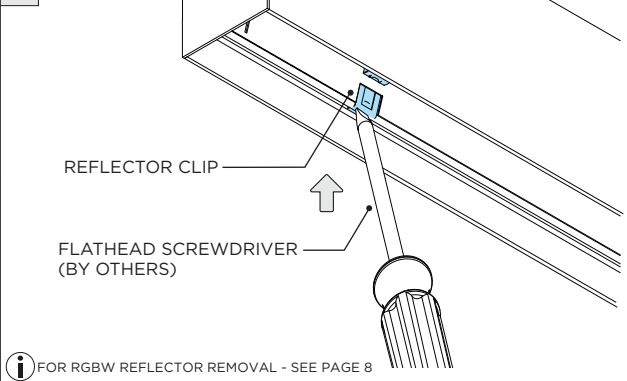
2



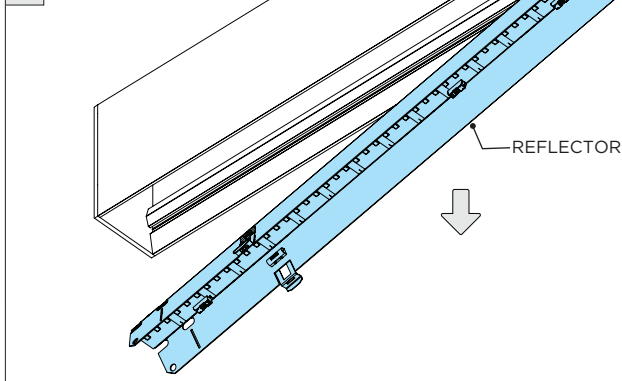
2A DROP LENS REMOVAL



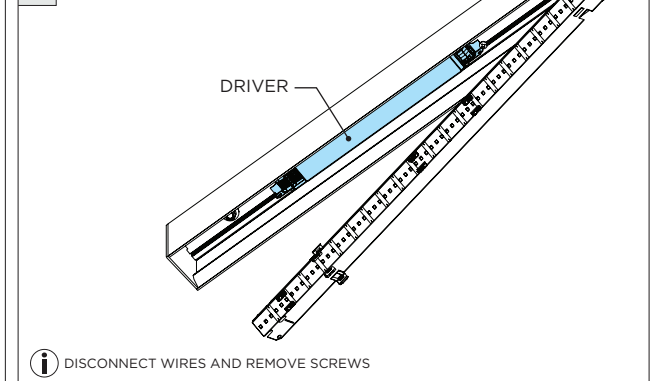
3



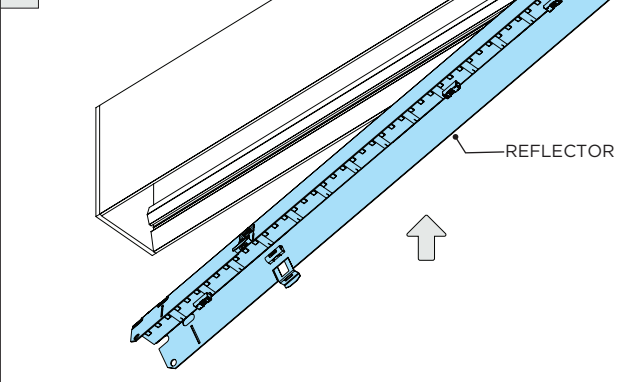
4



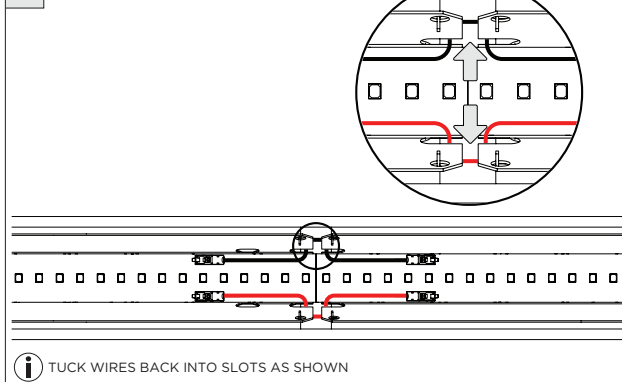
5



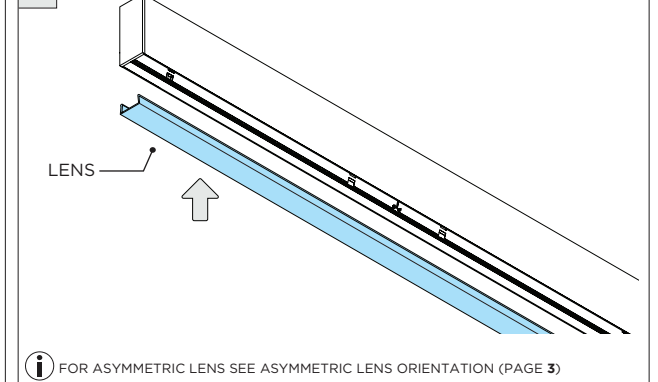
6



7

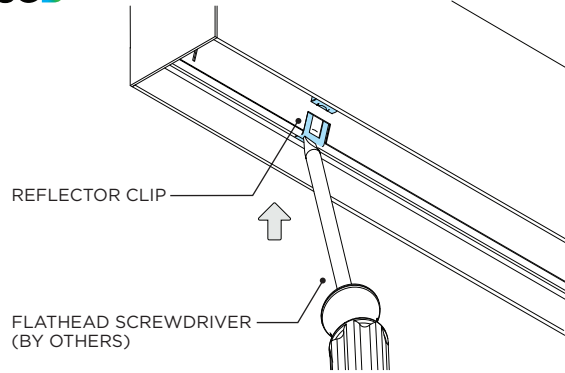


8

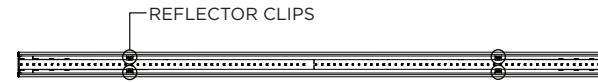


DRIVER SERVICING

1 3GB REFLECTOR REMOVAL FOR RGBW

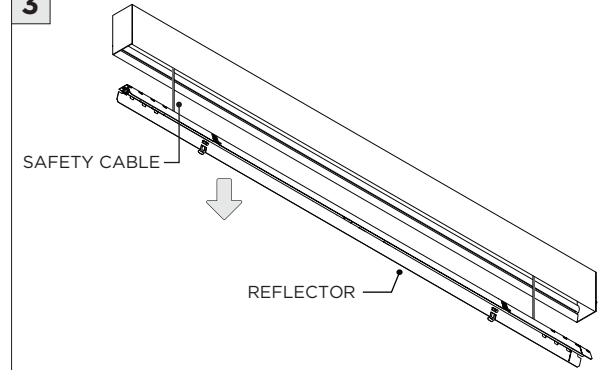


2



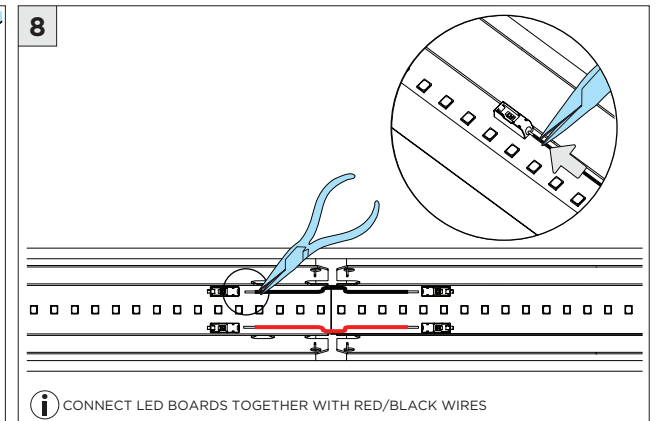
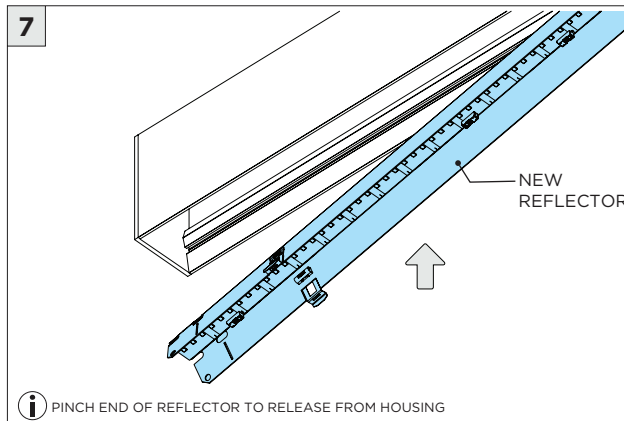
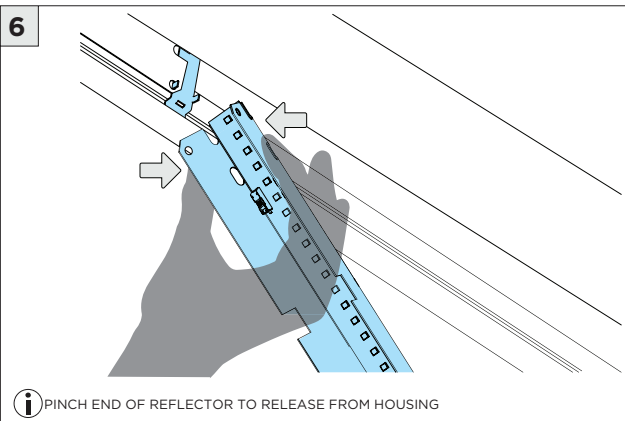
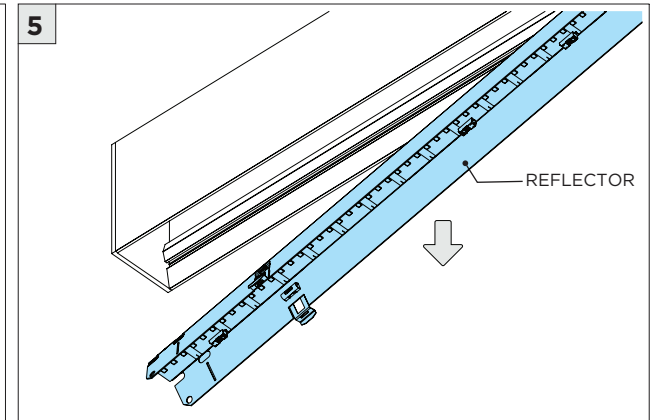
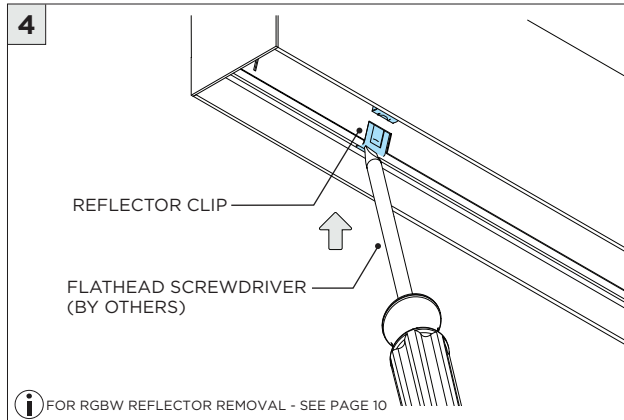
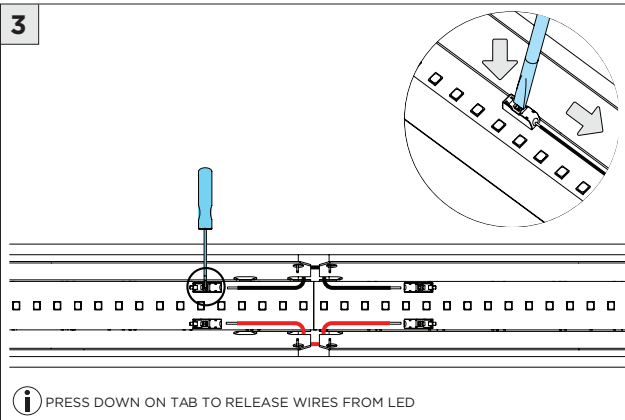
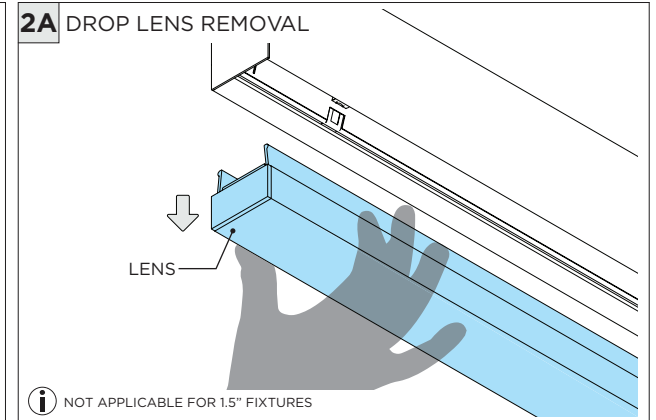
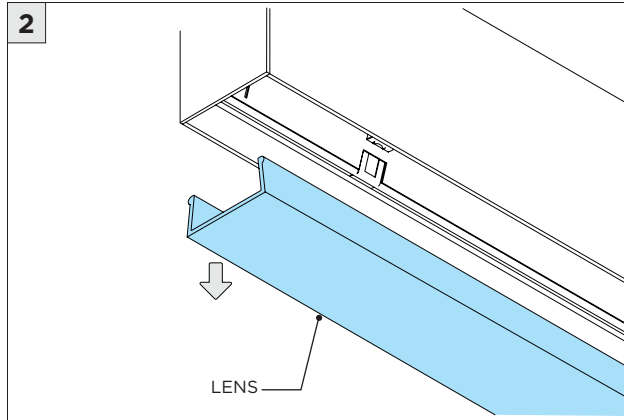
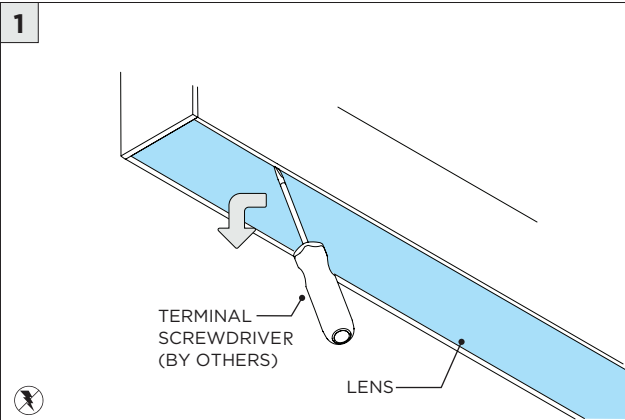
i EACH REFLECTOR HAS 4 CLIPS TO UNLATCH

3



i REFLECTORS SECURED TO HOUSING WITH SAFETY CABLES

LED SERVICING



LED SERVICING

