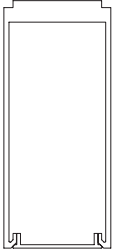
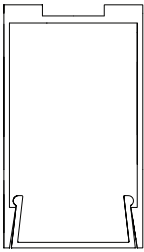
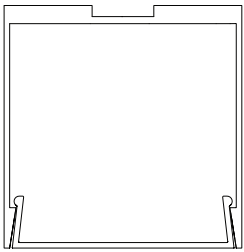
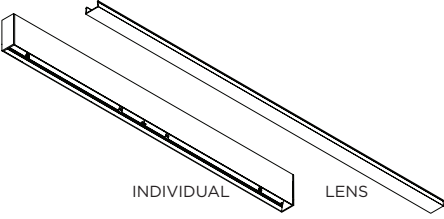
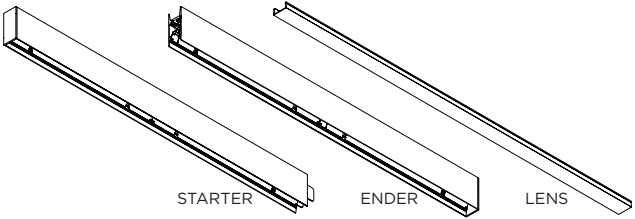
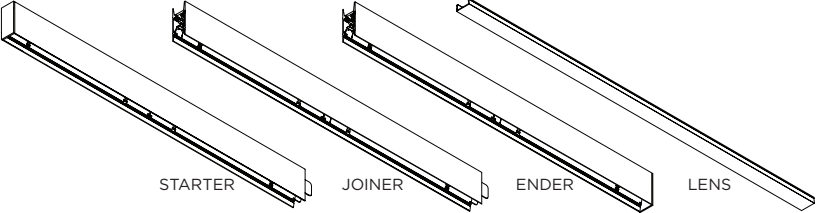
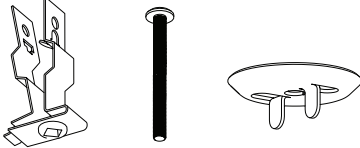




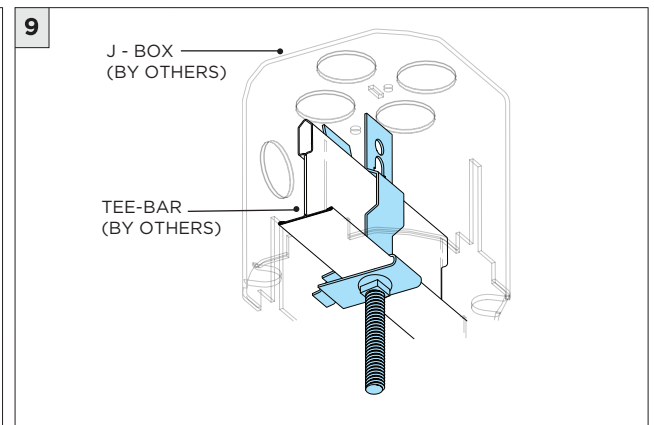
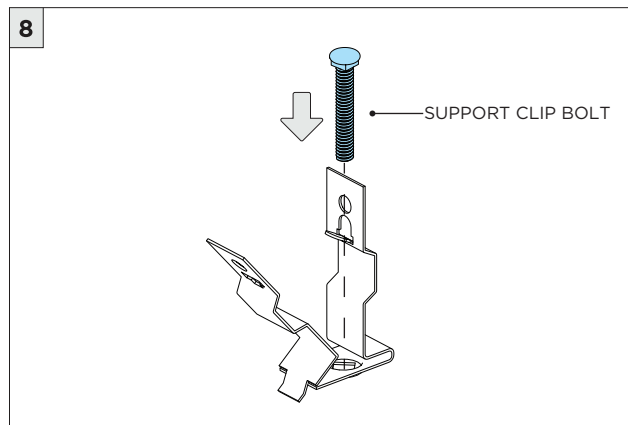
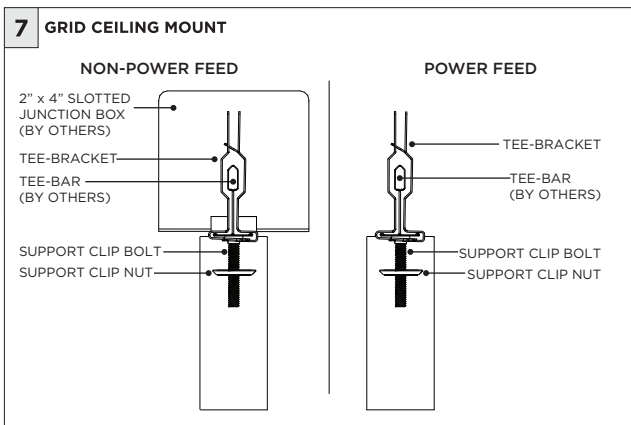
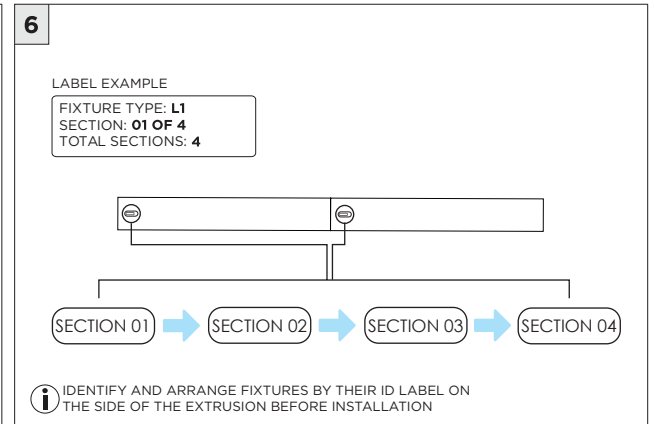
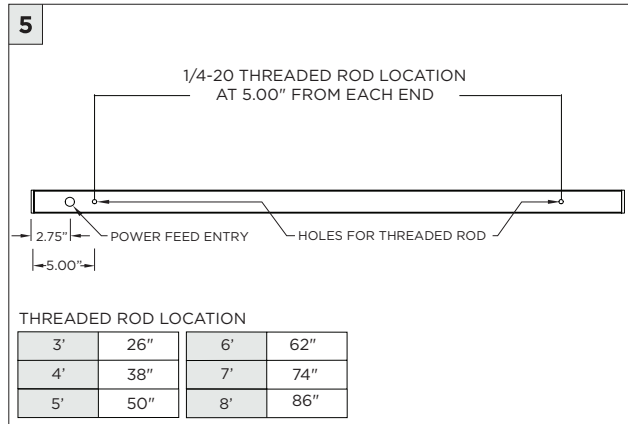
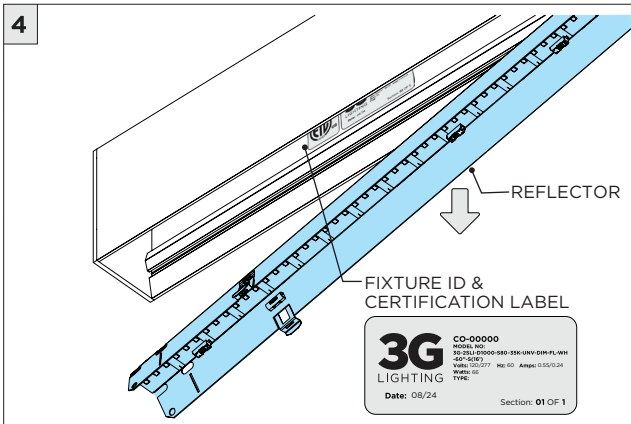
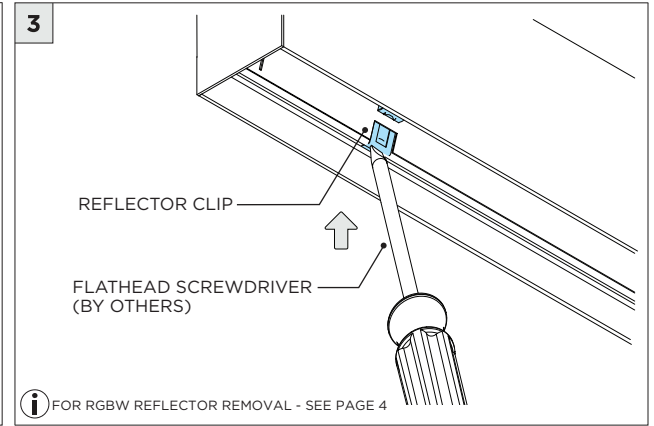
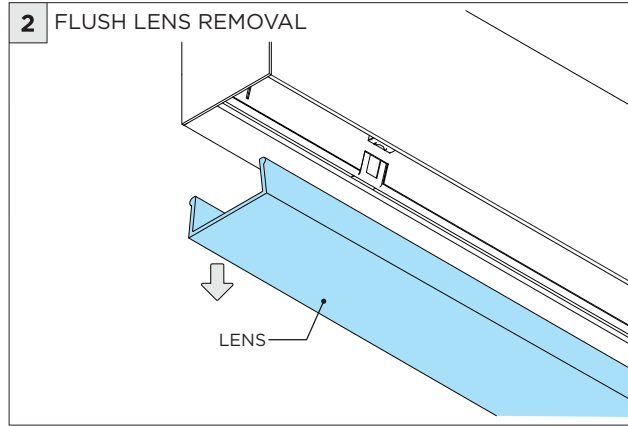
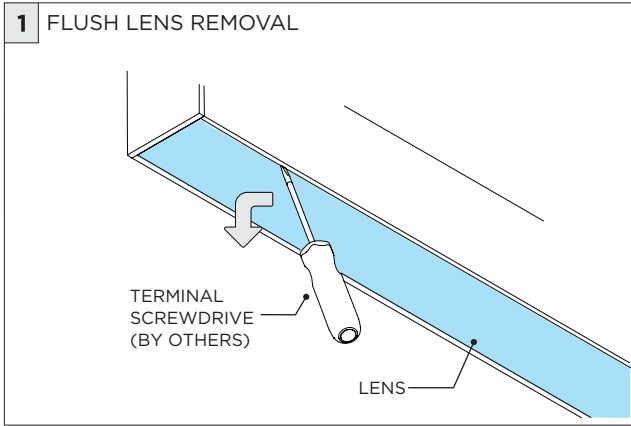
**3G-1SLI, 3G-2SLI and 3G-4SLI**  
**1.5", 2", and 3.5" SURFACE LINIA**

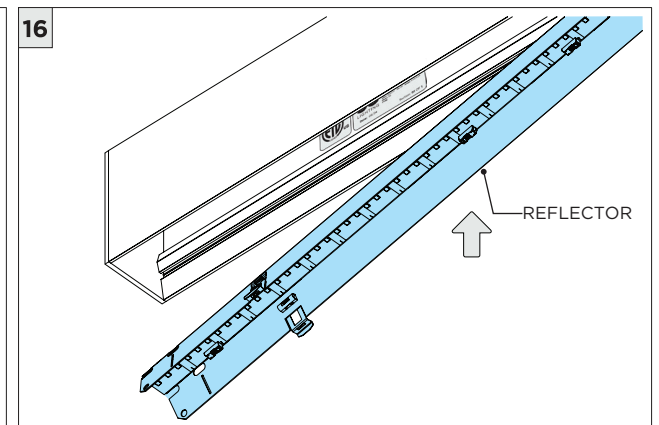
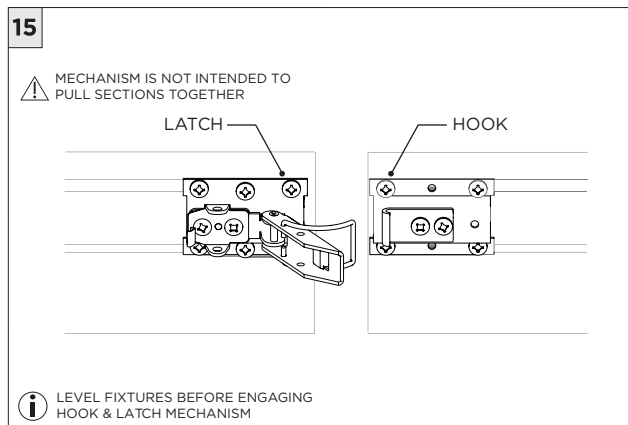
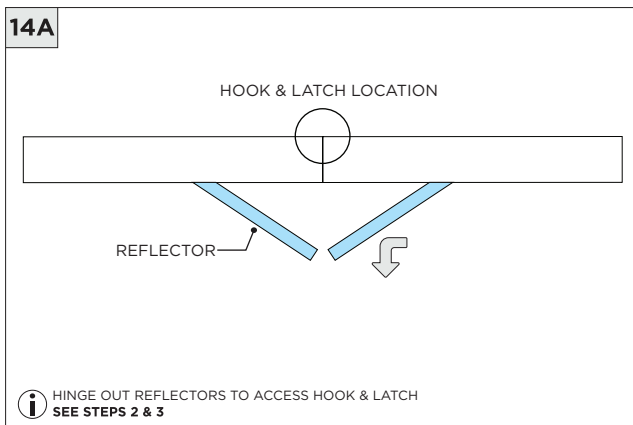
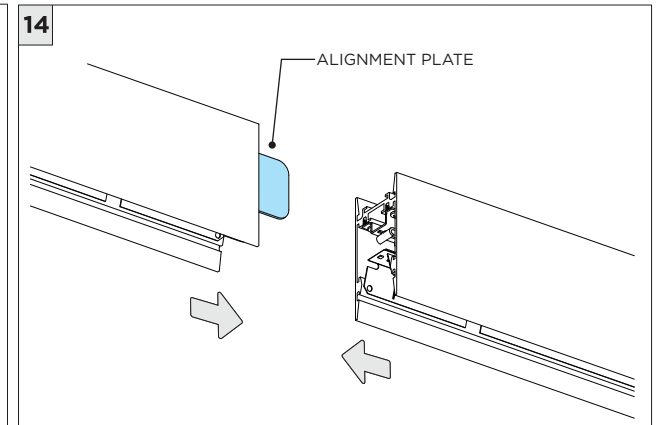
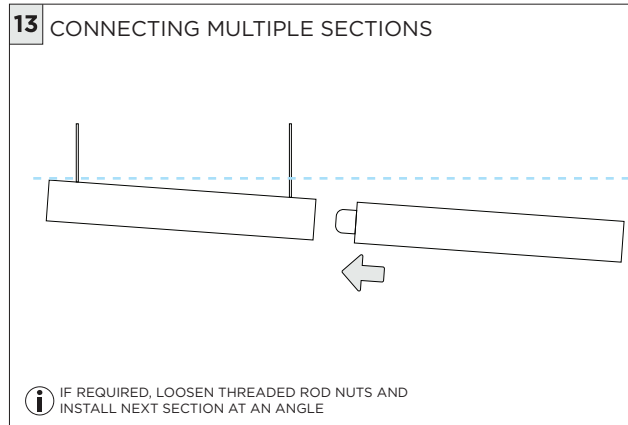
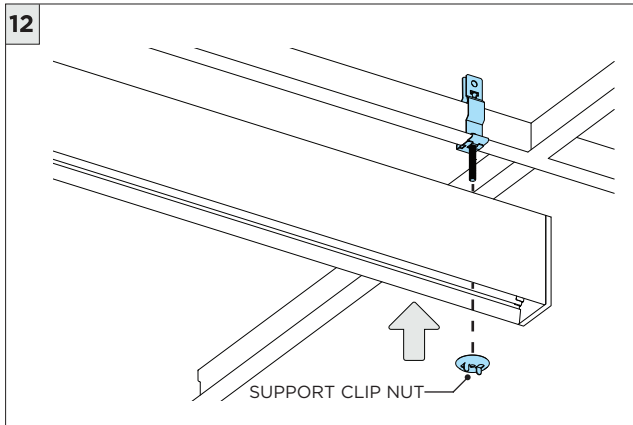
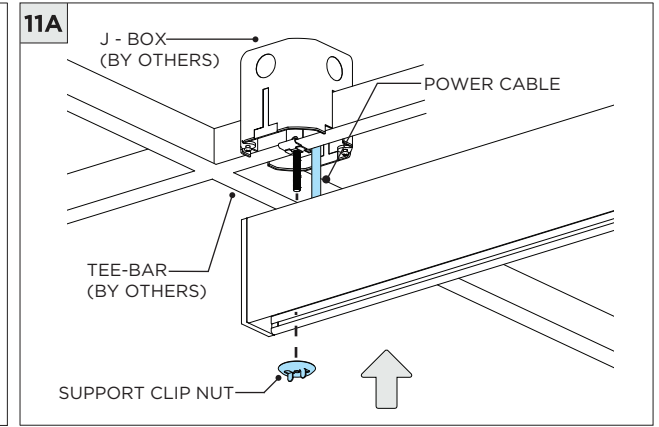
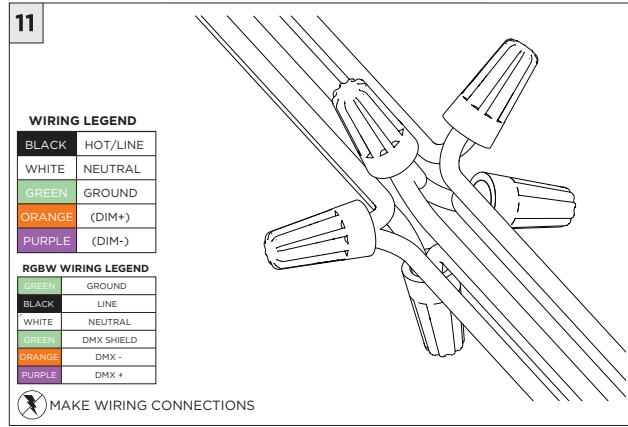
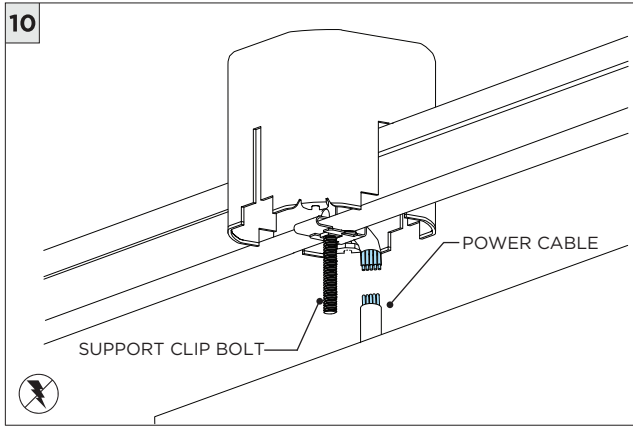


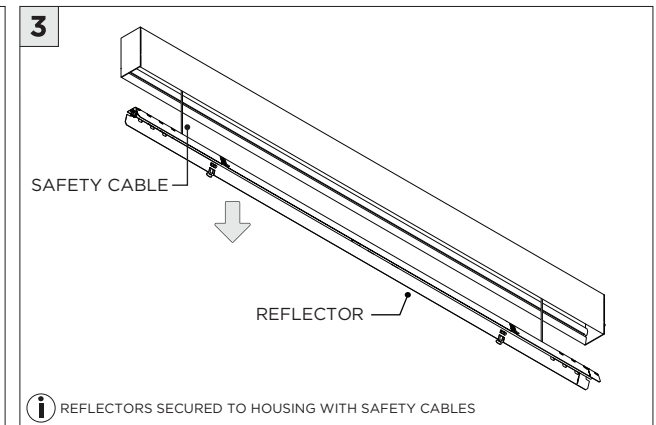
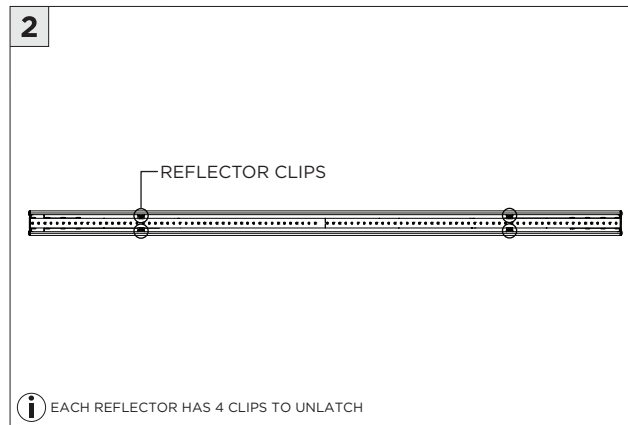
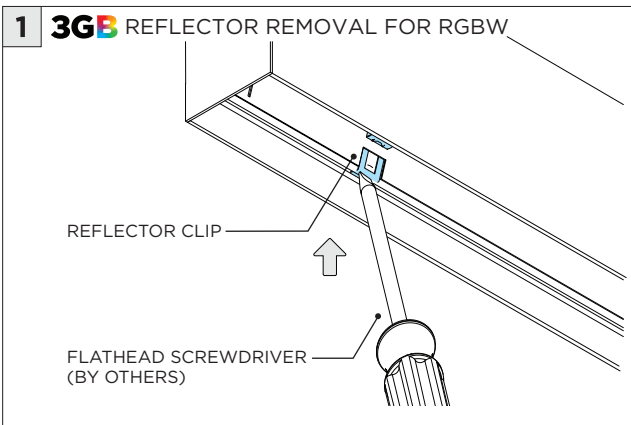
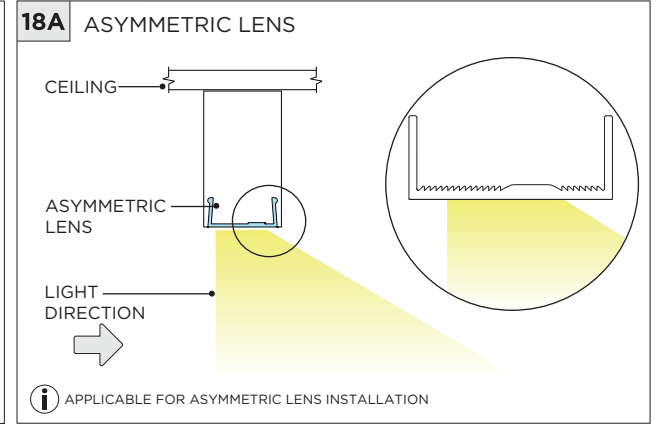
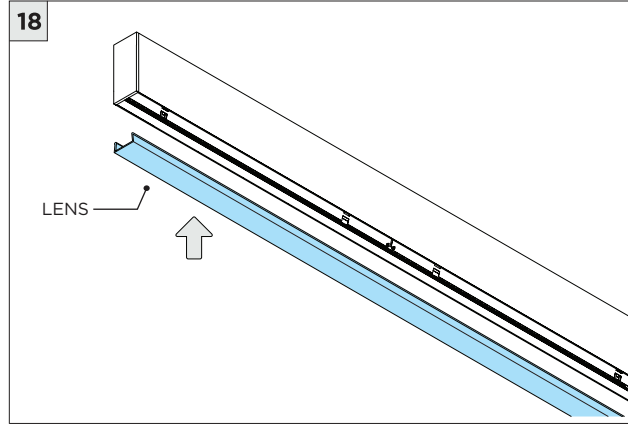
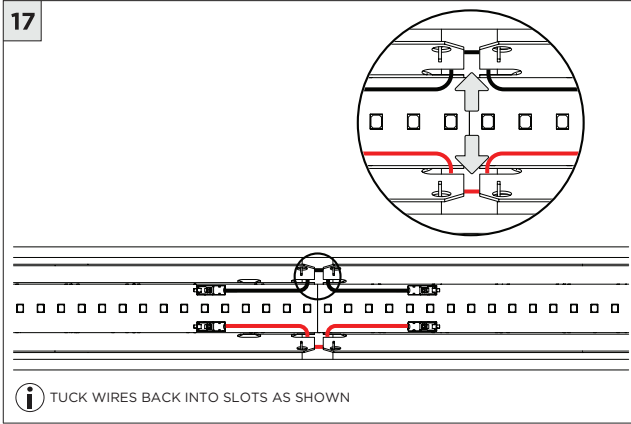
⚠ FOR NEW CONSTRUCTION INSTALLATION ONLY

FIXTURE TYPES			INCLUDED COMPONENTS	
<p>1SLI PROFILE</p> 	<p>2SLI PROFILE</p> 	<p>4SLI PROFILE</p> 	<p><b>Standalone Fixtures (2' to 8')</b></p>  <p>INDIVIDUAL LENS</p>	<p><b>Continuous Runs (9' to 16')</b></p>  <p>STARTER ENDER LENS</p>
<p><b>Continuous Runs (17' and longer)</b></p>  <p>STARTER JOINER ENDER LENS</p>			<p><b>Grid Ceiling Mounting Component</b></p> 	

INSTRUCTION KEY	INFORMATION	
⚠	ADDITIONAL	INSTALLATION SHOULD ONLY BE PERFORMED BY A CERTIFIED ELECTRICIAN
i	ATTENTION	REFER TO LOCAL/NATIONAL CODES FOR PROPER INSTALLATION
⚡	POWER ON	FAILURE TO FOLLOW INSTALLATION INSTRUCTION MAY VOID THE WARRANTY
⚡	POWER OFF	DO NOT TOUCH LEDS. LEDS MUST BE PROTECTED FROM MECHANICAL STRESS OR DEBRIS
		TURN OFF POWER DURING INSTALLATION OR SERVICING

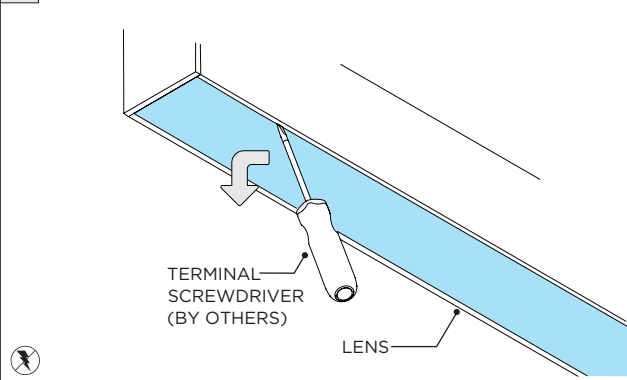




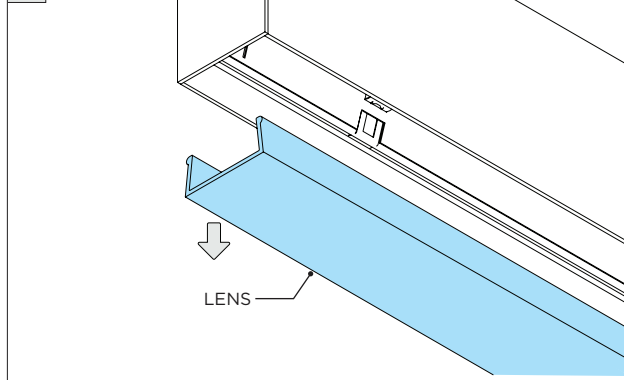


**DRIVER SERVICING**

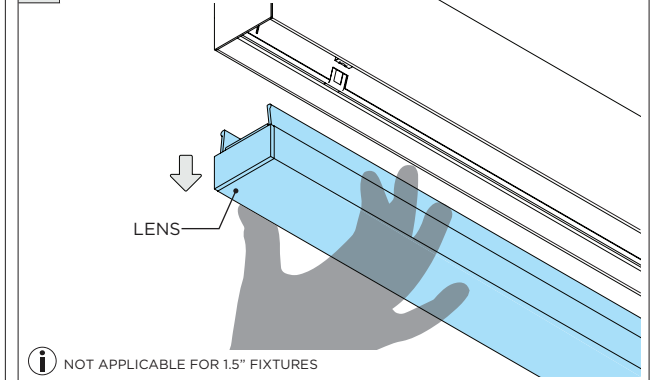
**1 FLUSH LENS REMOVAL**



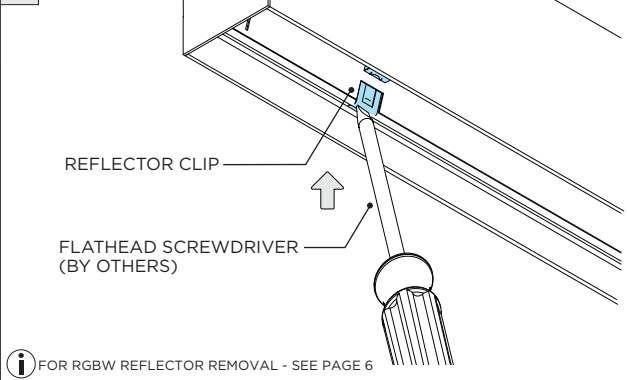
**2**



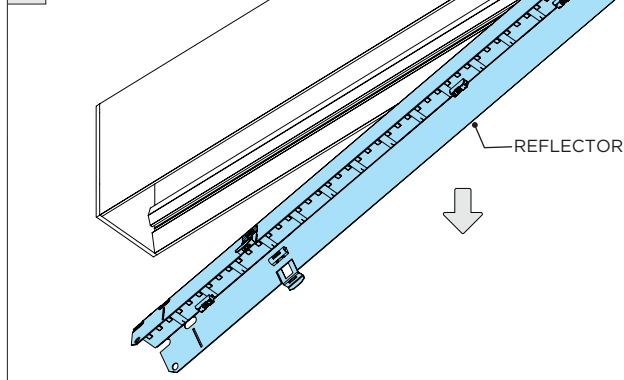
**2A DROP LENS REMOVAL**



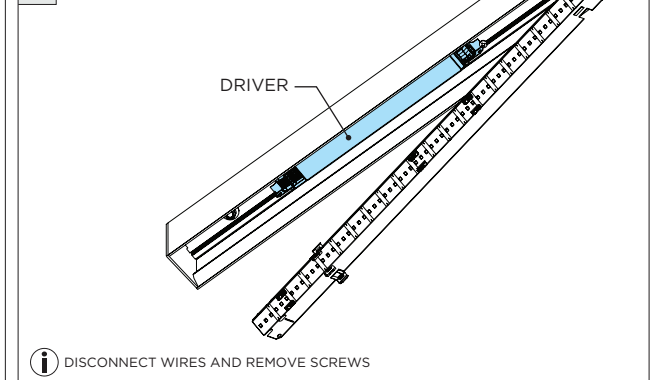
**3**



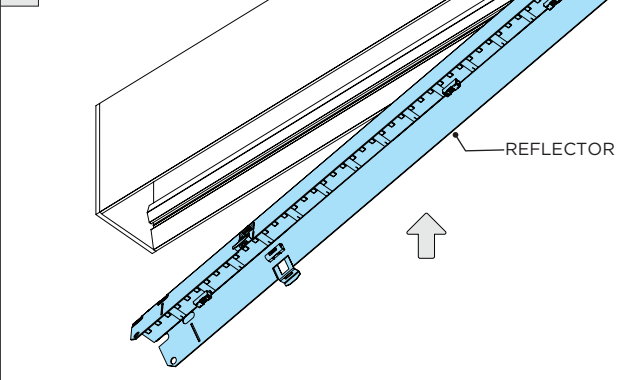
**4**



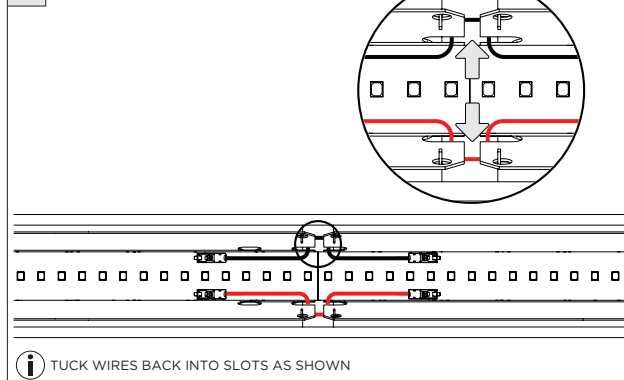
**5**



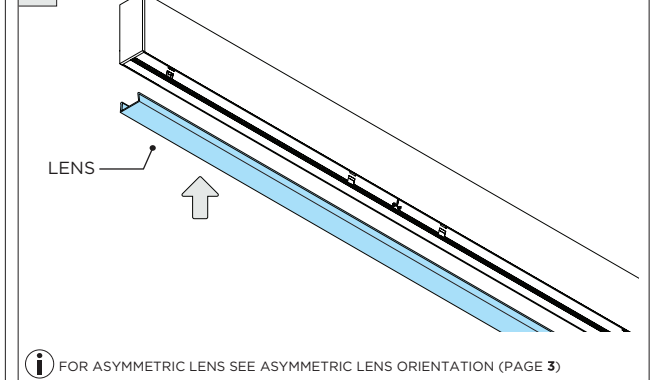
**6**



**7**

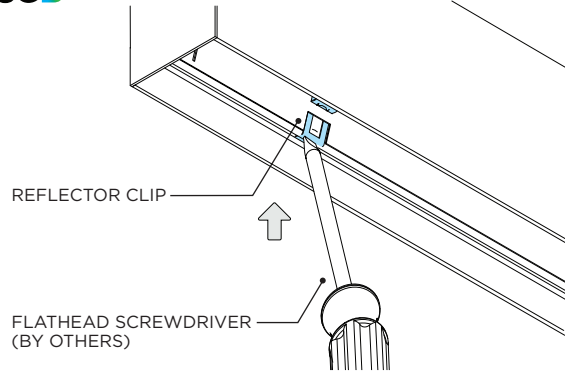


**8**

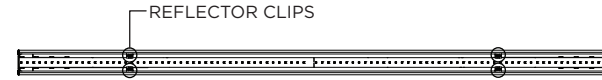


**DRIVER SERVICING**

**1 3GB REFLECTOR REMOVAL FOR RGBW**

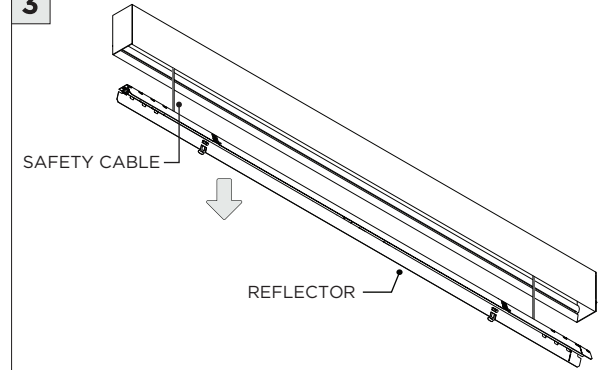


**2**



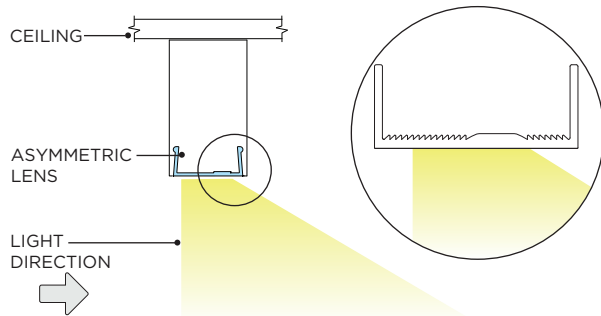
**i** EACH REFLECTOR HAS 4 CLIPS TO UNLATCH

**3**



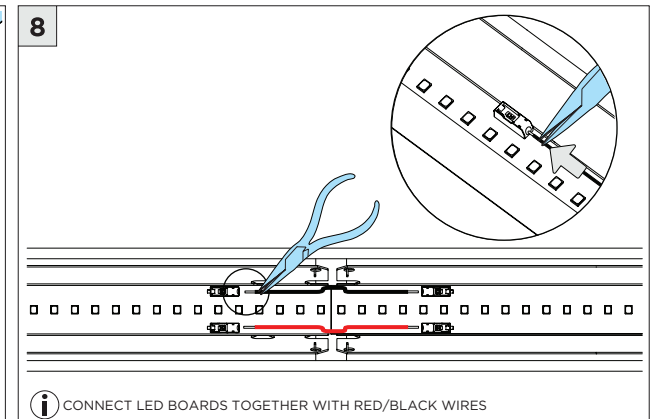
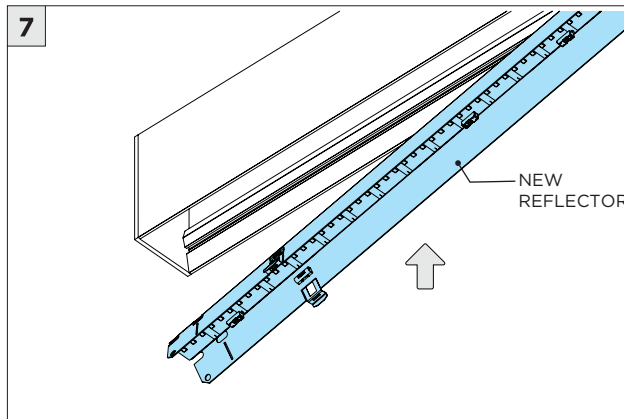
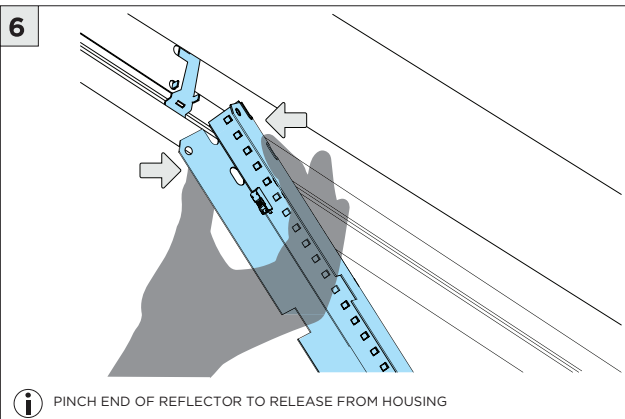
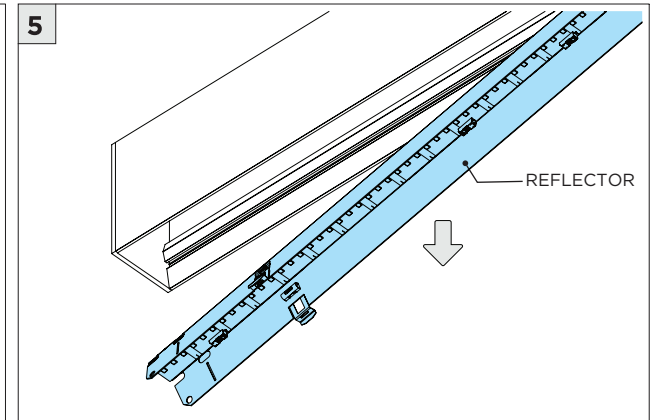
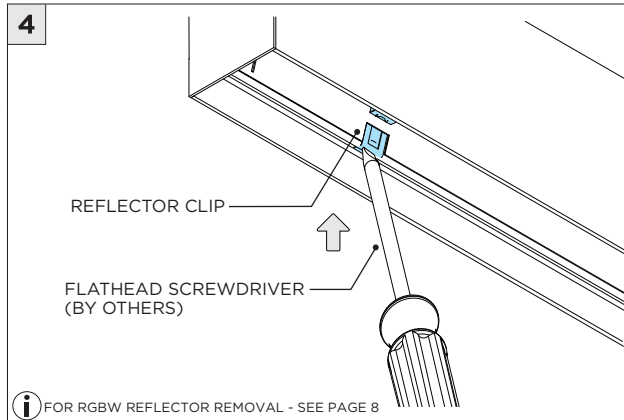
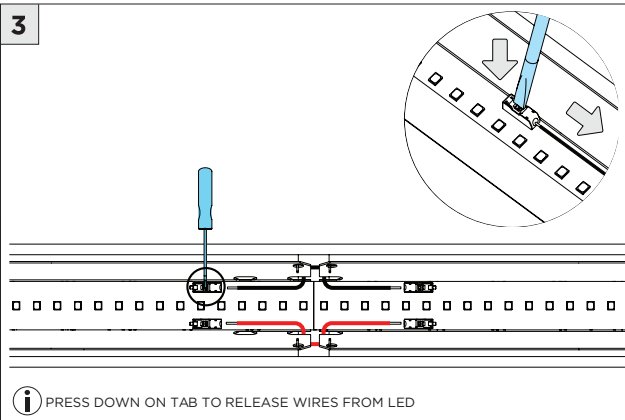
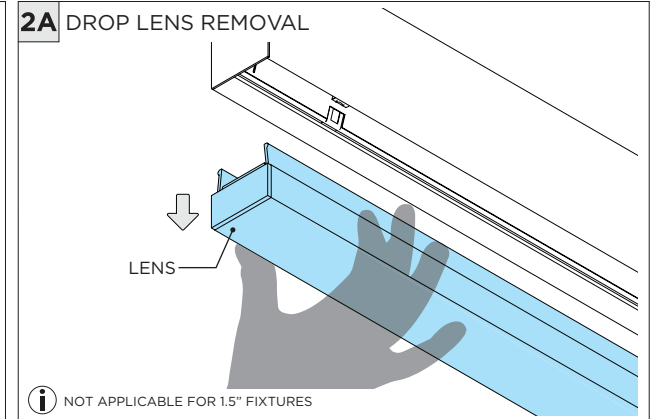
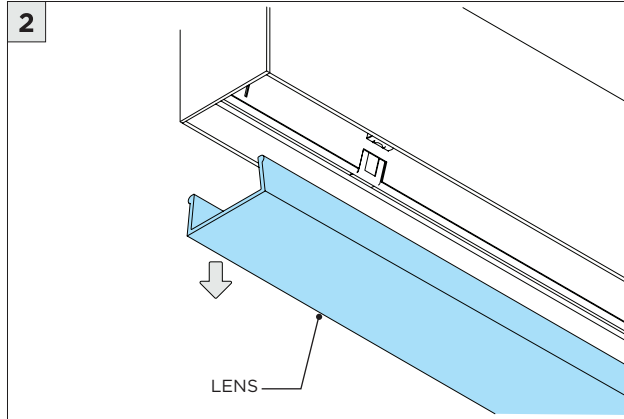
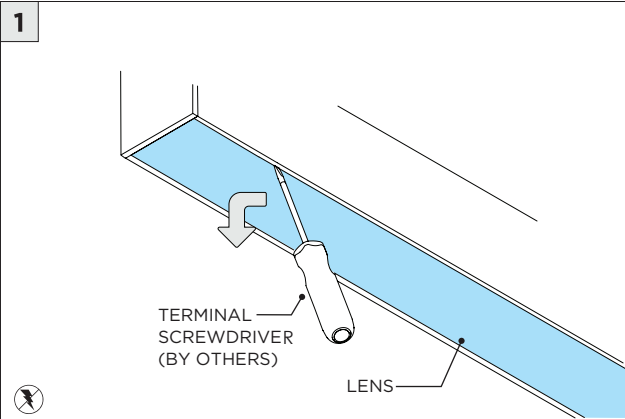
**i** REFLECTORS SECURED TO HOUSING WITH SAFETY CABLES

**9 ASYMMETRIC LENS**



**i** APPLICABLE FOR ASYMMETRIC LENS INSTALLATION

**LED SERVICING**



**LED SERVICING**

**9**

**i** TUCK WIRES BACK INTO SLOTS AS SHOWN

**10**

LENS

**i** FOR ASYMMETRIC LENS SEE ASYMMETRIC LENS ORIENTATION (PAGE 3)

**9** ASYMMETRIC LENS

CEILING

ASYMMETRIC LENS

LIGHT DIRECTION

**i** APPLICABLE FOR ASYMMETRIC LENS INSTALLATION

**1** **3GB** REFLECTOR REMOVAL FOR RGBW

REFLECTOR CLIP

FLATHEAD SCREWDRIVER (BY OTHERS)

**2**

REFLECTOR CLIPS

**i** EACH REFLECTOR HAS 4 CLIPS TO UNLATCH

**3**

SAFETY CABLE

REFLECTOR

**i** REFLECTORS SECURED TO HOUSING WITH SAFETY CABLES