

3G LIGHTING

3G-1PLI-DI

1.5" LINEAR PENDANT
DIRECT/INDIRECT
TUNABLE WHITE & RGBW

Narrow 1.5" aperture with one piece extruded aluminum housing
Individual or continuous runs available in multiple run configurations
Direct/Indirect distribution with multiple lumen output options
LED system with performance up to 120 lumens per watt
Extruded acrylic lens with optimal performance and glare control
Widespread and asymmetric optics available
1% dimming standard with several integral driver options



3GT 3GB

ORDERING INFORMATION

PROJECT:	<input type="text"/>	TYPE:	<input type="text"/>
CATALOG #:	<input type="text"/>	DATE:	<input type="text"/>

CAT. NO	LED SOURCE	LUMEN OUTPUT (DIRECT)	LUMEN OUTPUT (INDIRECT)	CRI
3G-1PLI-DI	TW - TUNABLE WHITE (2700K-6500K) RGBW - INFINITE COLOUR ¹ (3500K WHITE)	L250 - LOW OUTPUT (250 LM/FT) ²	L250 - LOW OUTPUT (250 LM/FT) ²	S80 - 83+ CRI H90 - 93+ CRI ¹
		L500 - MEDIUM OUTPUT (500 LM/FT)	L500 - MEDIUM OUTPUT (500 LM/FT)	
		L750 - HIGH OUTPUT (750 LM/FT)	L750 - HIGH OUTPUT (750 LM/FT)	
		L1000 - VERY HIGH OUTPUT (1000 LM/FT) ³	L1000 - VERY HIGH OUTPUT (1000 LM/FT) ³	
		LC ____ - CUSTOM OUTPUT (SPECIFY LM/FT) ⁴	LC ____ - CUSTOM OUTPUT (SPECIFY LM/FT) ⁴	
		*Specify custom lumen outputs in 50lm increments (ie: LC600, LC650, LC700) Custom output cannot exceed LC1000 Lumen outputs suitable for white LED source only		
		*Specify custom lumen outputs in 50lm increments (ie: LC600, LC650, LC700) Custom output cannot exceed LC1000 Lumen outputs suitable for white LED source only		
VOLTAGE	DRIVER	LENS OPTION (DIRECT)	LENS OPTION (INDIRECT)	FINISH
UNV - 120-277V	D01 - 0-10V (100-0.1%) DALI - DALI (eidoLED, 100-1%) DMX - DMX (100-1%) ¹ DHLT - LUTRON SERIES (100-0.1%) (2 CHANNEL TUNABLE WHITE)	FL - FLUSH DASY - ASYMMETRIC OPTIC ¹	FL - FLUSH WSO - WIDESPREAD OPTIC ¹ ASY - ASYMMETRIC OPTIC ^{1,3}	WH - WHITE SV - SILVER BK - BLACK All mounting canopies provided in white as standard
CABLE LENGTH	CIRCUITING	OPTIONS	LENGTH (FEET)	
60 - 60" 120 - 120"	1C - 1 CIRCUIT 2C - 2 CIRCUIT	EMB - INTEGRAL EMERGENCY BATTERY (4' SECTION ONLY) ⁴ EMC - EMERGENCY CIRCUIT ⁴	S - ____' (STRAIGHT RUN) ⁴ L - ____' X ____' (L-SHAPE) U - ____' X ____' X ____' (U-SHAPE) R - ____' X ____' (RECTANGLE/SQUARE) T - ____' X ____' (T-SHAPE) X - ____' X ____' (X-SHAPE) CUS - ____ (CUSTOM LAYOUT - PROVIDE DRAWING)	
		* Individual units available in 2', 3', 4', 5', 6', and 8' Continuous runs available in 1' increments as standard		

¹ RGBW LED source available with S80 (83+CRI) and DMX driver option only. Not available with widespread, asymmetric, or EM options
² L250 (250LM/FT) not available in 2' and 3' lengths. Specify LC400 for 2' and 3' fixture lengths when outputs lower than 500LM/FT are required
³ L1000 (1000LM/FT) not available for H90 (93+ CRI) or indirect asymmetric option
⁴ EMB (emergency battery) and EMC (emergency circuit) options available for tunable white LED source only. Not available with RGBW

3GT - Tunable White
3GB - RGBW

NOVEMBER 24, 2020

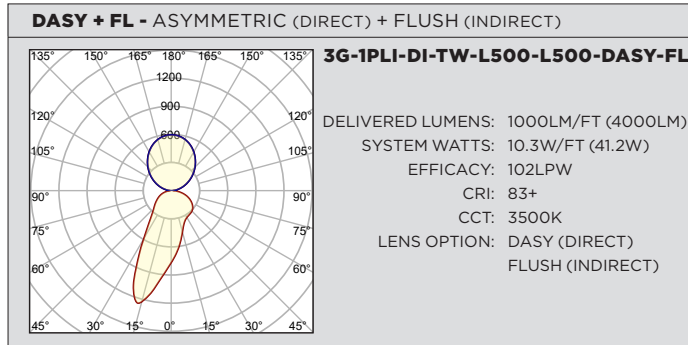
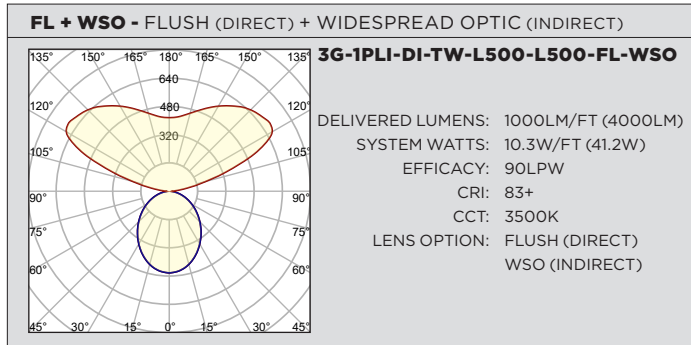
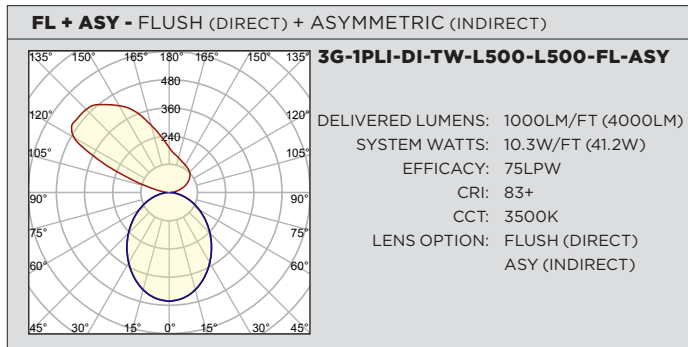
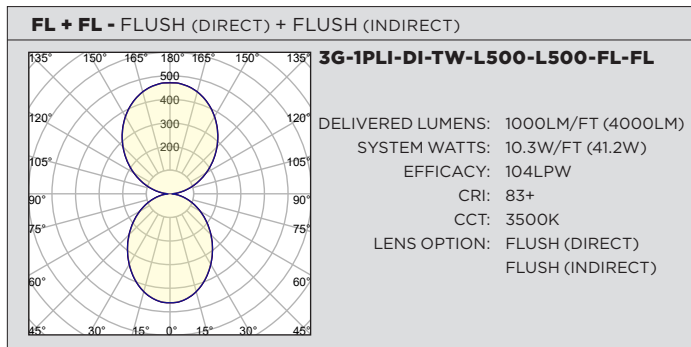


PERFORMANCE CHART BASED ON 4' LENGTH WITH FLUSH LENS (TUNABLE WHITE AND 83+ CRI)

LENS OPTION	DELIVERED LUMENS (LM/FT)			SYSTEM WATTS (W/FT)			EFFICACY (LPW)		
	DIRECT	INDIRECT	TOTAL	DIRECT	INDIRECT	TOTAL	DIRECT	INDIRECT	TOTAL
2700K	250	250	500	3.0	1.9	4.9	84	120	98
	500	500	1000	6.1	4.2	10.3	81	116	95
	750	750	1500	9.4	6.1	15.5	80	115	94
	1000	1000	2000	12.5	8.6	21.0	79	114	93
3500K	250	250	500	3.0	1.9	4.9	90	129	105
	500	500	1000	6.1	4.2	10.3	88	128	104
	750	750	1500	9.4	6.1	15.5	85	123	100
	1000	1000	2000	12.5	8.6	21.0	83	118	97
6500K	250	250	500	3.0	1.9	4.9	102	145	118
	500	500	1000	6.1	4.2	10.3	103	144	120
	750	750	1500	9.4	6.1	15.5	98	141	115
	1000	1000	2000	12.5	8.6	21.0	92	132	108

EFFICACY (LPW) ADJUSTMENT FACTOR	CRI	Multiplier
	93+	0.88

PHOTOMETRY BASED ON 4' LENGTH (83+ CRI AND 3500K SOURCE)

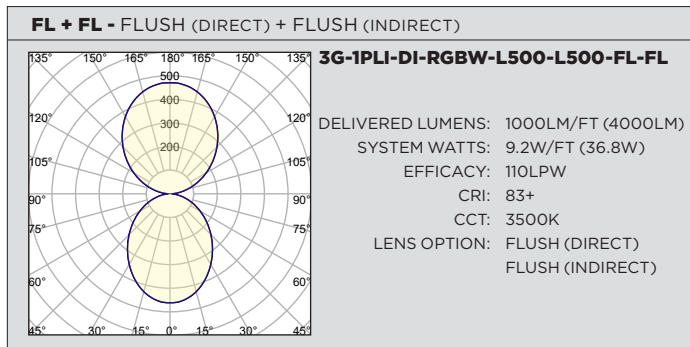


PERFORMANCE CHART BASED ON 4' LENGTH (RGBW WITH 83+ CRI AND 3500K SOURCE)

LENS OPTION	DELIVERED LUMENS (LM/FT)			SYSTEM WATTS (W/FT)			EFFICACY (LPW)		
	DIRECT	INDIRECT	TOTAL	DIRECT	INDIRECT	TOTAL	DIRECT	INDIRECT	TOTAL
3500K	250	250	500	2.6	1.8	4.5	95	136	112
	500	500	1000	5.4	3.8	9.2	93	134	110
	750	750	1500	8.9	6.2	15.1	85	121	99
	1000	1000	2000	13.0	9.1	22.1	77	110	91

LUMINOUS INTENSITY PER LED	RGB	INTENSITY Min - Max (mcd)
	RED	355 - 805
	GREEN	710 - 1400
	BLUE	140 - 355

PHOTOMETRY BASED ON 4' LENGTH (83+ CRI AND 3500K SOURCE)



TECHNICAL**HOUSING**

Extruded aluminum housing with narrow 1.5" aperture
Machined aluminum end caps add 1/4" to each end of luminaire
Individual units and continuous runs available in 1' increments
24-gauge LED reflector with high reflectance white powder coated finish
Standard polyester powder coated matte white finish.
Optional finishes available

OPTICS

Extruded, satin acrylic lens designed for optimal performance and glare control. Up to 8' continuous
High performance widespread and asymmetric optics available
Widespread Optic peak intensity at 120° with optimal distance at 12" from ceiling

ELECTRICAL

Luminaires are pre-wired with factory installed quick connects and branch circuit wiring
Standard 0-10V, constant current drivers with 100-0.1% dimming range and >0.9 power factor
eldoLED DALI driver option with 100-0.1% dimming range
eldoLED DMX driver option with 100-0% dimming range
Lutron T-series 2 channel tunable white driver option with 100-1% dimming range
All drivers are integral and easily accessible through luminaire aperture
4' length (direct distribution) for each integral emergency battery. 10W output for 90 minutes

LED SYSTEM FOR TUNABLE WHITE (TW)

Proprietary LED system with color consistency <3 SDCM
2700K-6500K CCT range
Standard 83+CRI. Optional 93+CRI. (R9 value of 56 for 93+CRI)
L90 >60,000 hours
5 Year Warranty

LED SYSTEM FOR RGBW

Proprietary LED system with color consistency <3 SDCM
White LED available in 35K with 83+ CRI
L80 >72,000 hours
Red (335-805 mcd)
Green (710-1400 mcd)
Blue (140-355 mcd)
5 Year Warranty

MOUNTING

Toolless installation with 3G's proprietary mounting system
Internal, toolless joiner system (latch and hook) easily connects multiple sections together
LED reflectors remain within each fixture section during installation with 3G's click and lock spring system
Adjustable aircraft cable suspension with locking fasteners (60" length standard)
Standard, 18-gauge, 5 conductor single circuit power feed (clear braided finish)
All mounting canopies provided in white finish as standard
Suitable for various architectural ceilings (see mounting details)
Fixture weight: +/- 2.5 lb/ft

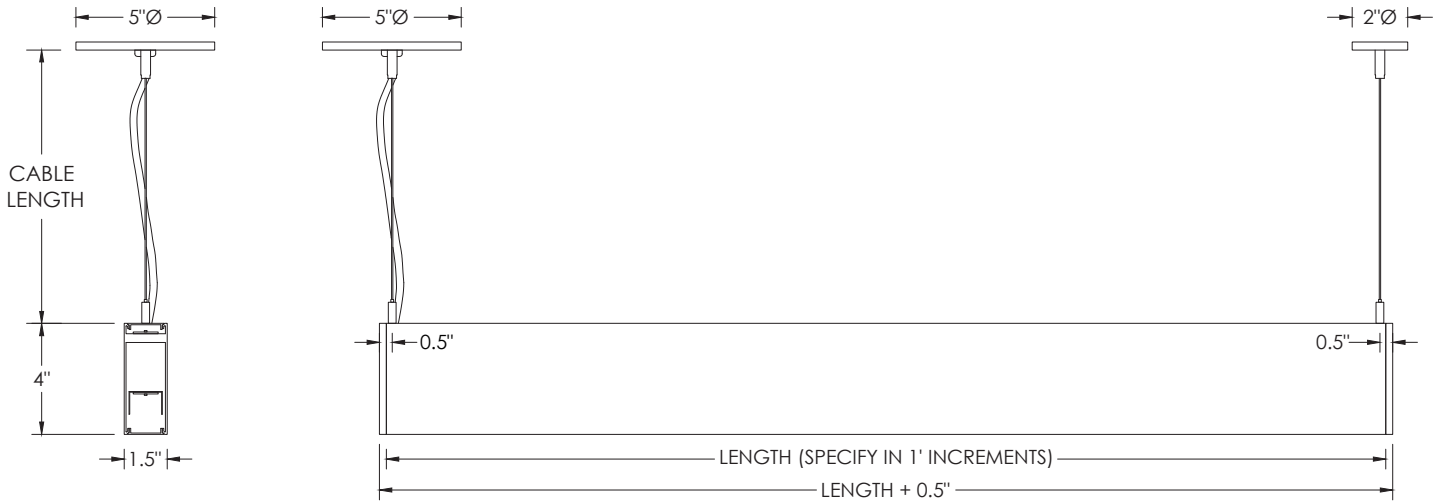
LISTING

ETL listed and tested to cUL standards. Suitable for dry and damp locations

WARRANTY

5 Year Warranty on LED and drivers
Manufacturer 1 Year Warranty for defects in material and workmanship under normal use
Ambient temperature at fixture should not exceed 25°C

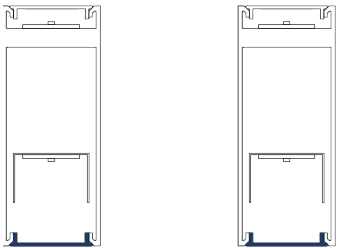
DRAWINGS AND DIMENSIONS



LENS OPTION

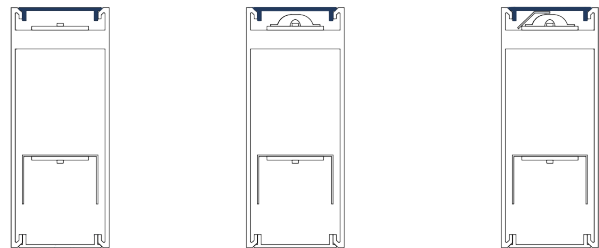
DIRECT LENS OPTION

FL - FLUSH **DASY - ASYMMETRIC**



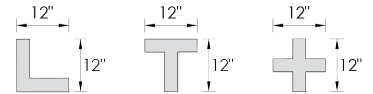
INDIRECT LENS OPTION

FL - FLUSH **WSO - WIDESPREAD** **ASY - ASYMMETRIC**



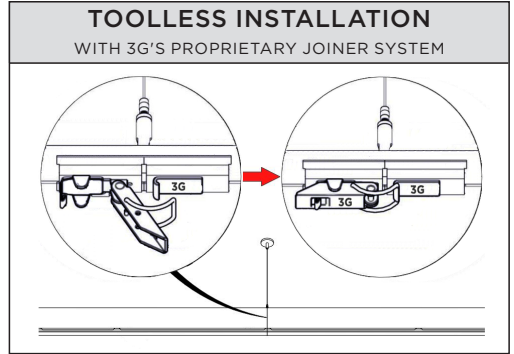
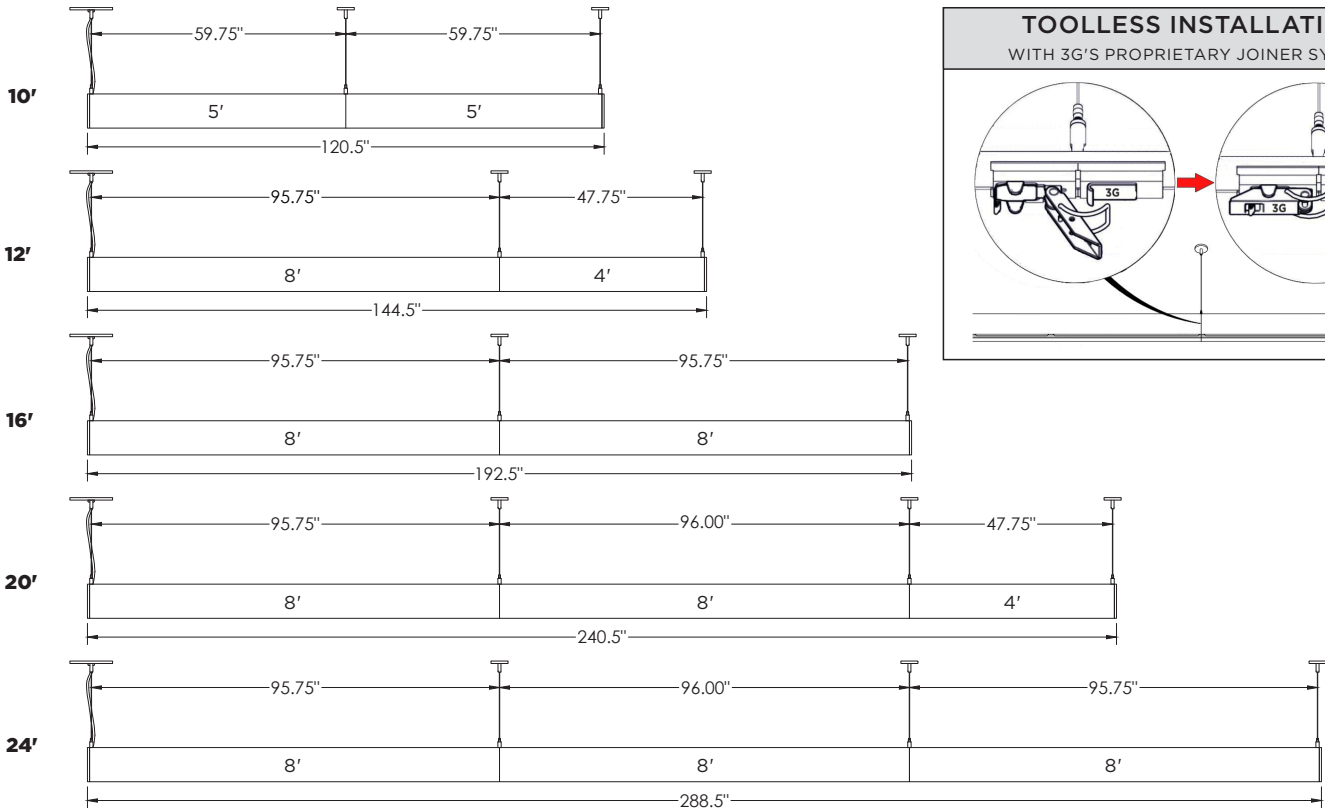
PATTERNS

Specify pattern shape and overall dimensions as shown below. Available in 1' increments only
Patterns are connected with fully illuminated 12"x12" L, T, and X-shaped sections



L-SHAPE	U-SHAPE	RECTANGLE/SQUARE	T-SHAPE	X-SHAPE
Provide dimensions of AxB Example: L - 6'x8'	Provide dimensions of AxBxC Example: U - 8'x10'x6'	Provide dimensions of AxB Example: R - 10'x8'	Provide dimensions of AxB Example: T - 14'x6'	Provide dimensions of AxB Example: X - 14'x14'

TYPICAL SECTION MOUNTING (AVAILABLE IN 1' INCREMENTS AS STANDARD)



MOUNTING DETAILS

