


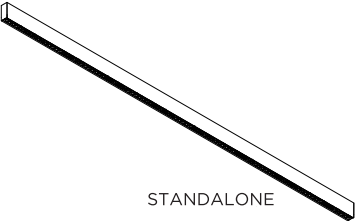
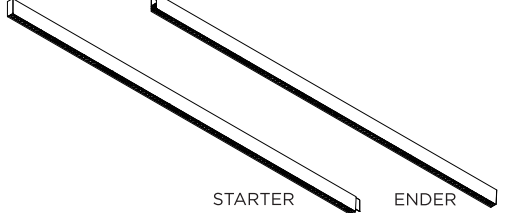
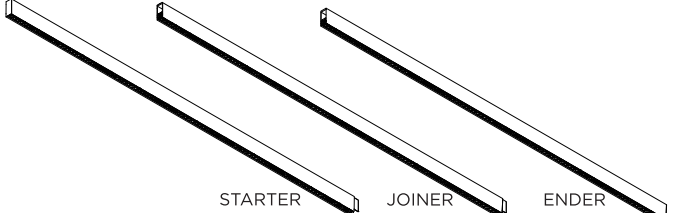

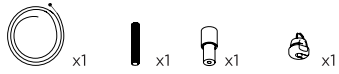
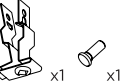

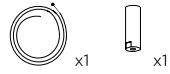
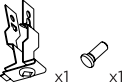
## 3G-1PMZSL 1.5" PENDANT ZONE SLOT

DIRECT  
DIRECT INDIRECT



⚠ FOR NEW CONSTRUCTION INSTALLATION ONLY

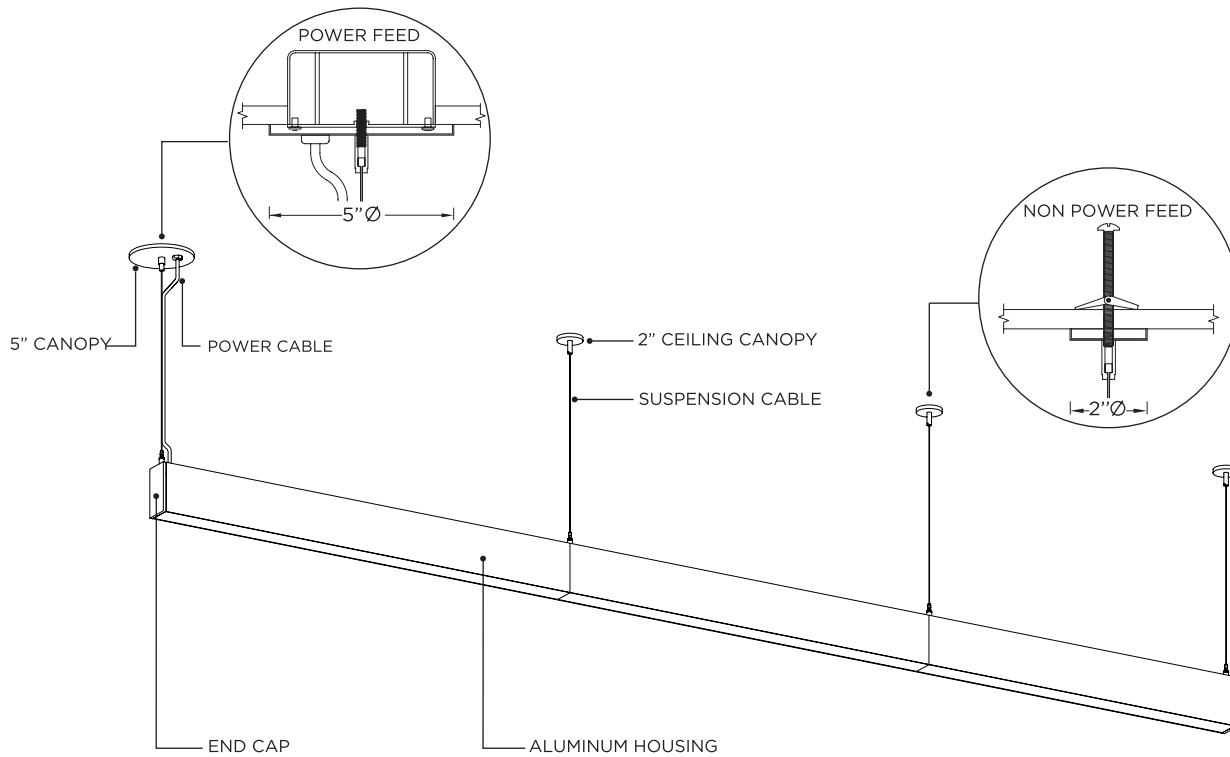
ⓘ THE IMAGES SHOWN ARE FOR ILLUSTRATION PURPOSES ONLY AND MAY NOT BE AN EXACT REPRESENTATION OF THE PRODUCT

FIXTURE TYPES	INCLUDED COMPONENTS		
<p>3G-1PMZSL</p> 	<p><b>Standalone Fixture (2' to 8')</b></p>  <p>STANDALONE</p>	<p><b>Continuous Runs (9' to 16')</b></p>  <p>STARTER      ENDER</p>	<p><b>Continuous Runs (17' and longer)</b></p>  <p>STARTER      JOINER      ENDER</p>
<p><b>Power feed kit</b></p>   <p>ⓘ FOR GRID CEILING APPLICATION</p> 	<p><b>Non - Power feed kit</b></p>   <p>ⓘ FOR GRID CEILING APPLICATION</p> 		

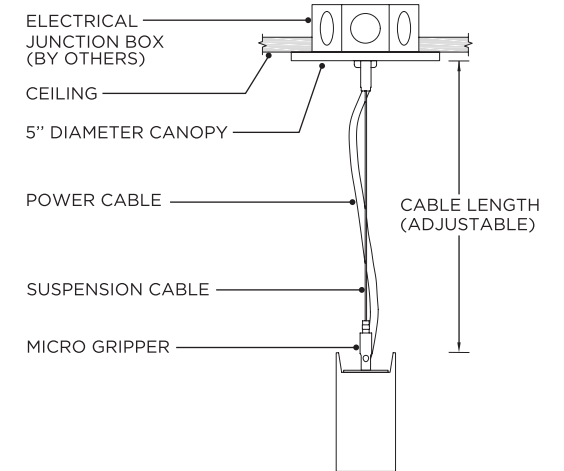
INSTRUCTION KEY	INFORMATION
⚠	ADDITIONAL INSTALLATION SHOULD ONLY BE PERFORMED BY A CERTIFIED ELECTRICIAN
ⓘ	ATTENTION REFER TO LOCAL/NATIONAL CODES FOR PROPER INSTALLATION
⚡	POWER ON FAILURE TO FOLLOW INSTALLATION INSTRUCTION MAY VOID THE WARRANTY
⊘	POWER OFF DO NOT TOUCH LEDS. LEDS MUST BE PROTECTED FROM MECHANICAL STRESS OR DEBRIS TURN OFF POWER DURING INSTALLATION OR SERVICING

OVERVIEW

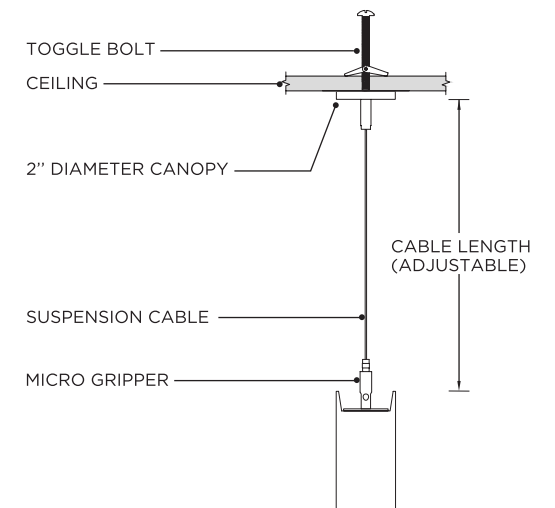
**DRYWALL SUSPENSION**



**POWER FEED SUSPENSION**

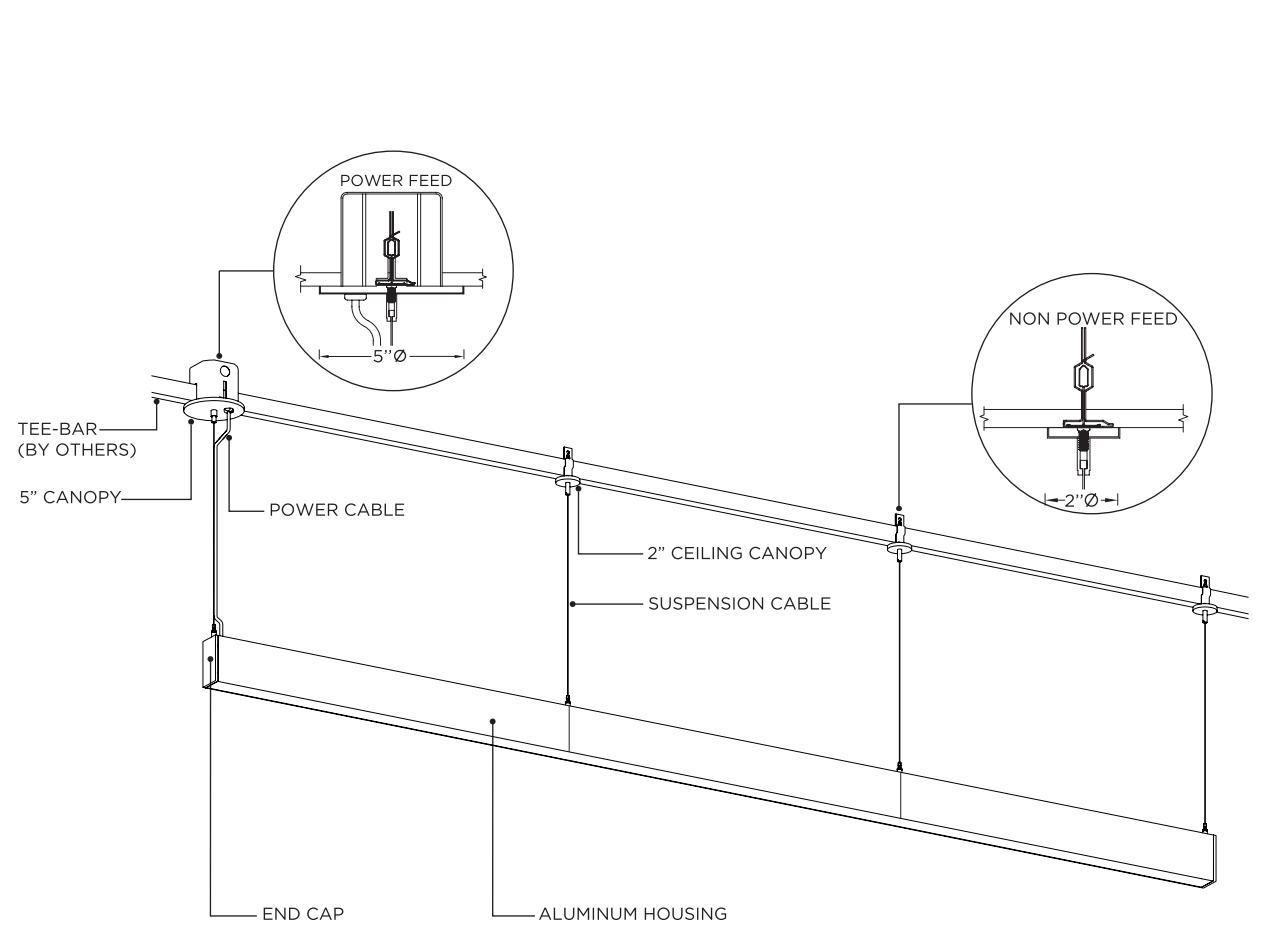


**NON - POWER FEED SUSPENSION**

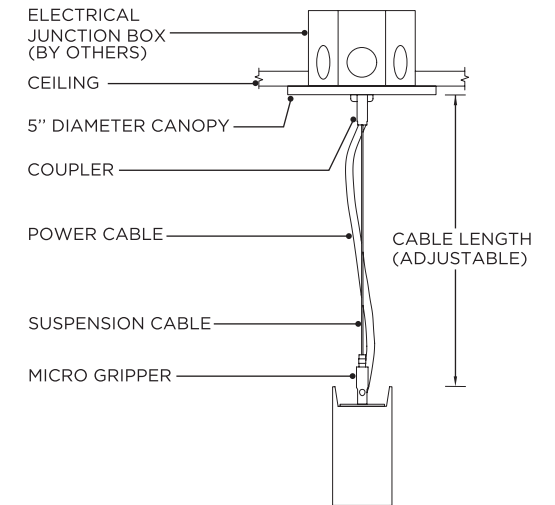


OVERVIEW

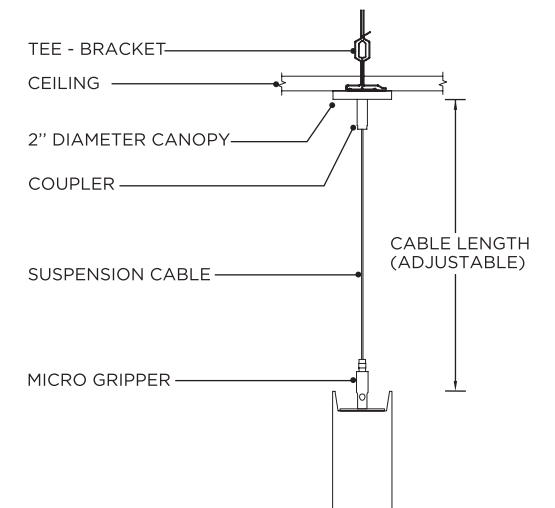
**GRID CEILING - GCX**



**POWER FEED SUSPENSION**



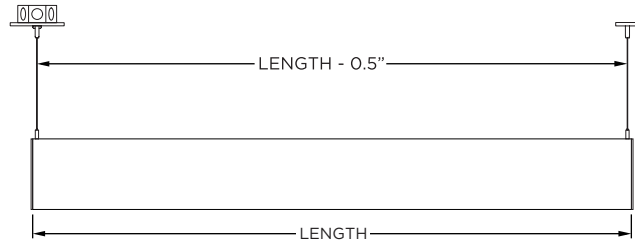
**NON - POWER FEED SUSPENSION**



**SUSPENSION CABLE LOCATION**

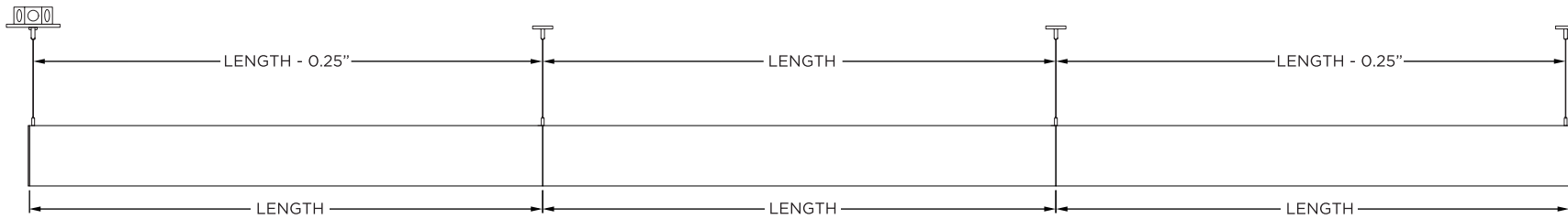
**STANDALONE**

STANDALONE  
AT 0.25" FROM EACH END OF LENGTH



**STARTER, JOINER, and ENDER**

STARTER/JOINER/ENDER  
AT 0.125" FROM EACH END OF SECTION LENGTH



**IDENTIFICATION AND PREPARATION**

**ID LABEL**

TYPE: **XX XX**  
ID: **01 OF 03** CO-0000

SECTION ID NUMBER    ORDER NUMBER    ORDER TYPE

IDENTIFY FIXTURE SECTIONS BY THE ID LABELS FOUND ON THE BOX INSIDE THE SECTIONS

**ID LABEL**

SECTION: **01 OF 03**  
TYPE: **XX XX** CO-0000

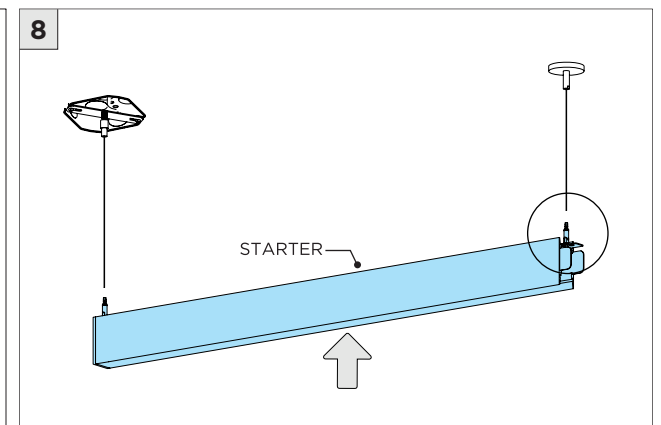
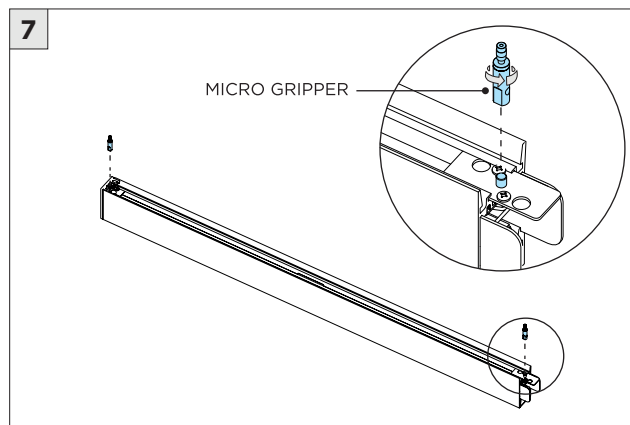
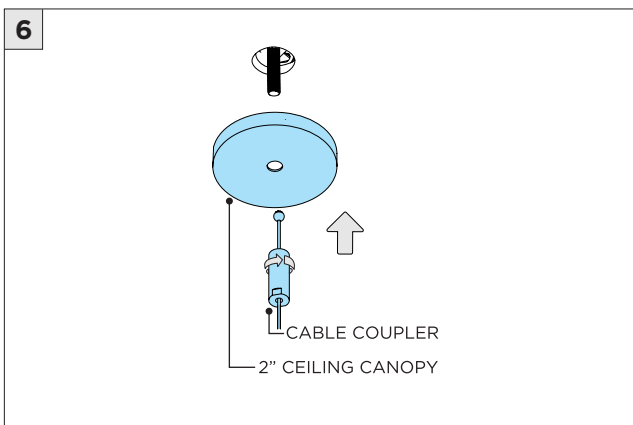
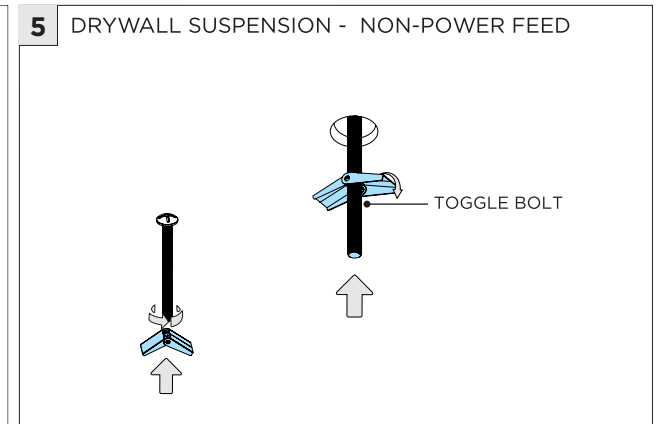
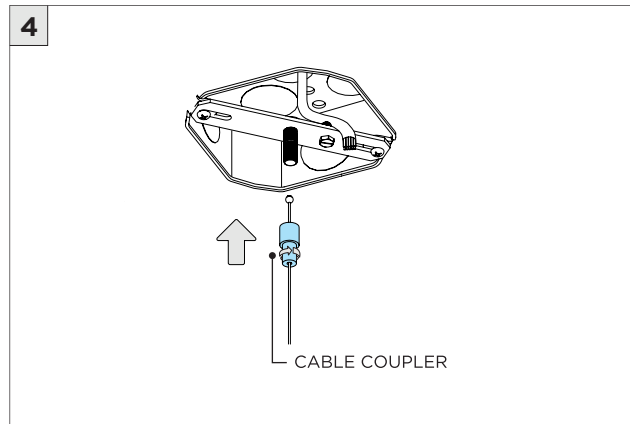
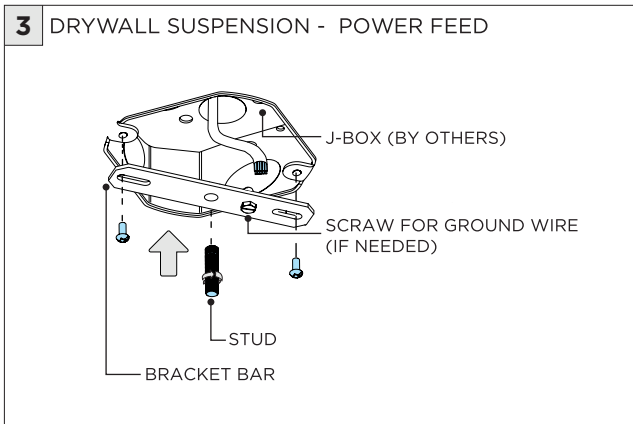
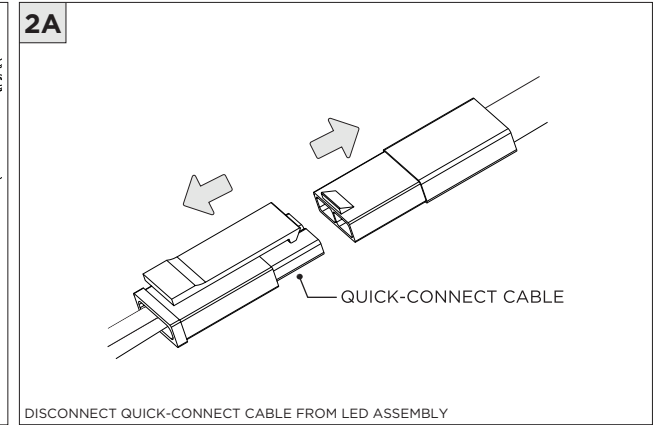
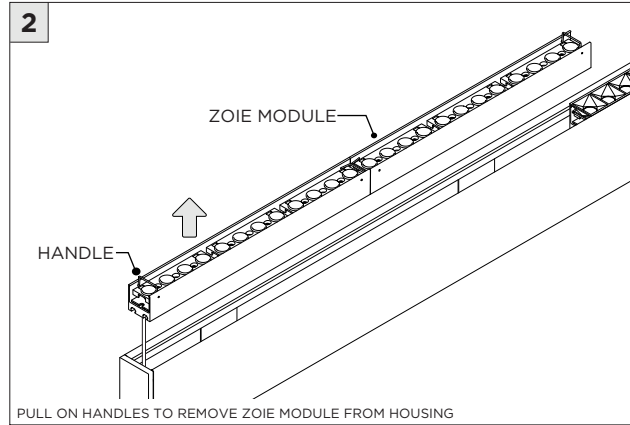
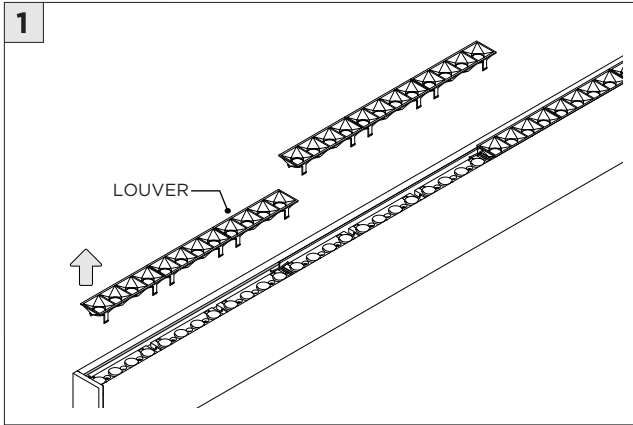


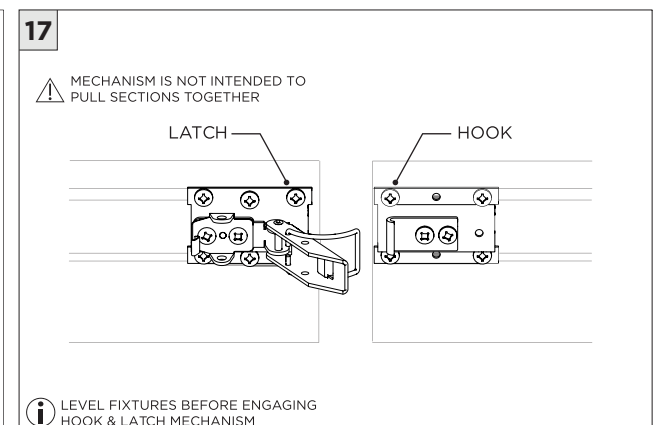
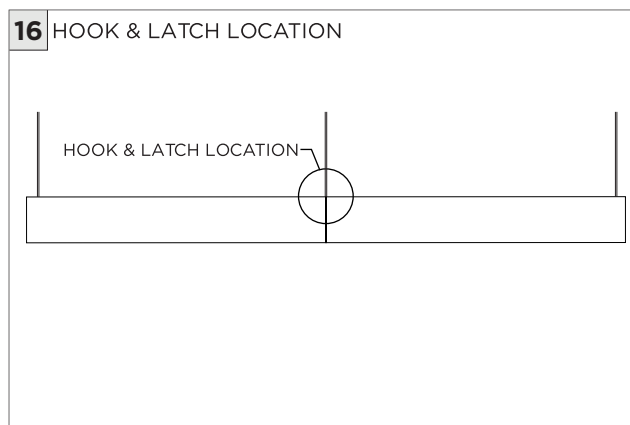
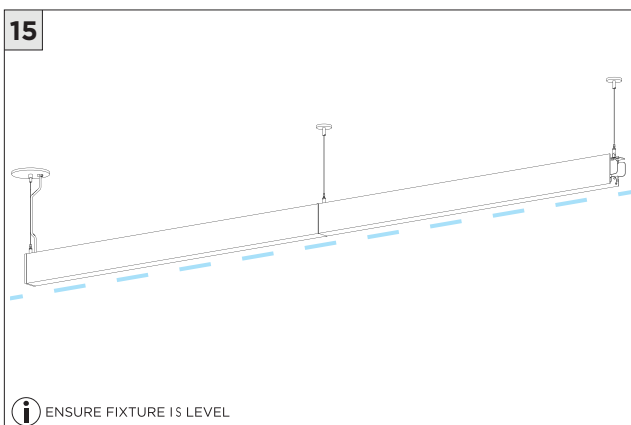
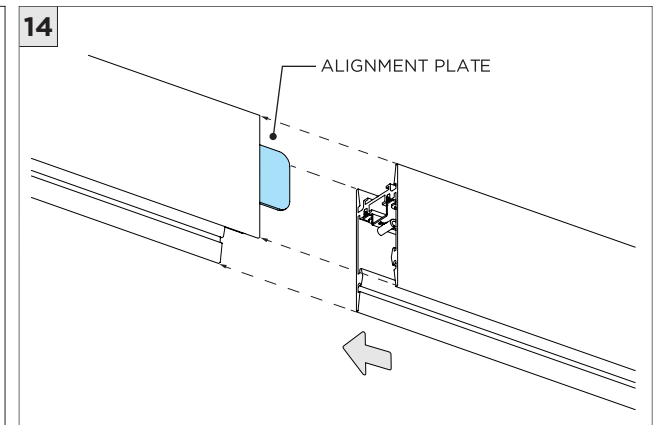
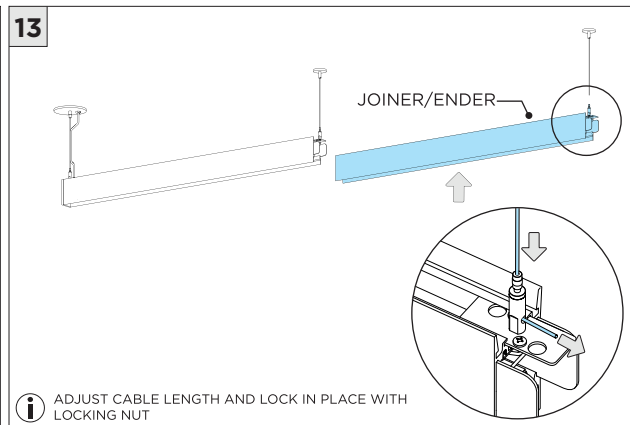
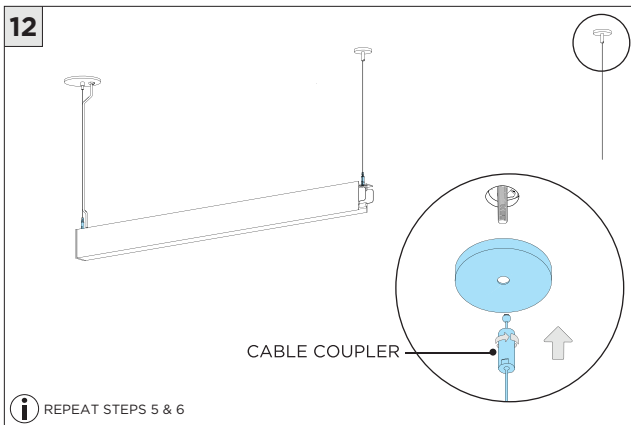
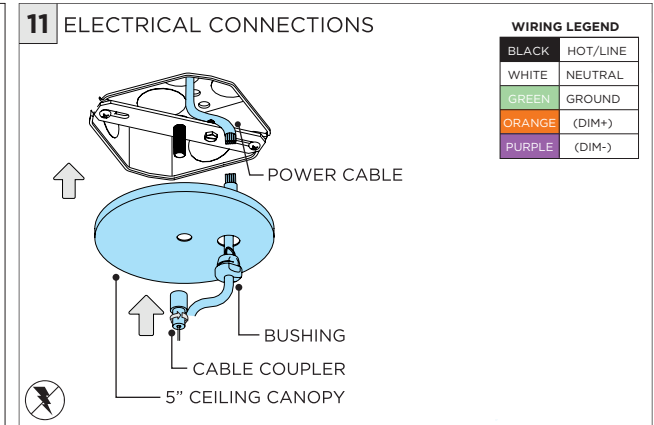
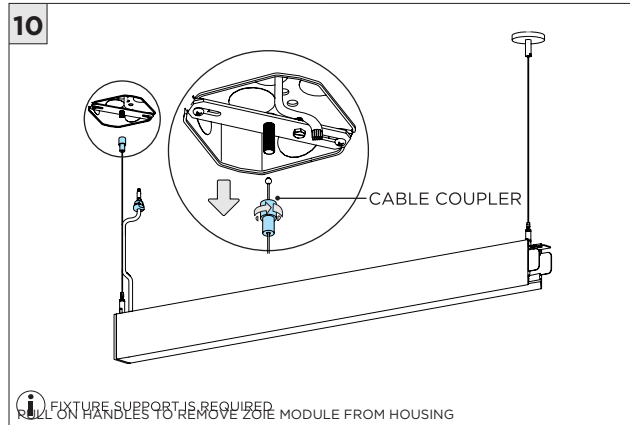
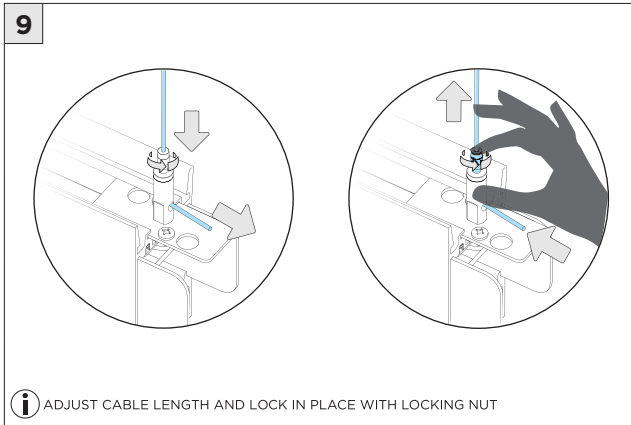
STARTER

JOINER

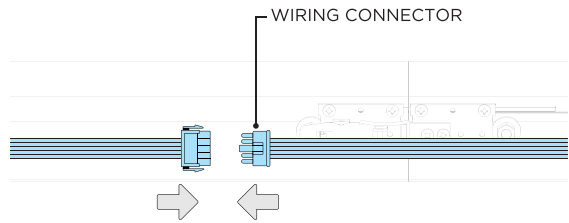
ENDER

DRYWALL SUSPENSION

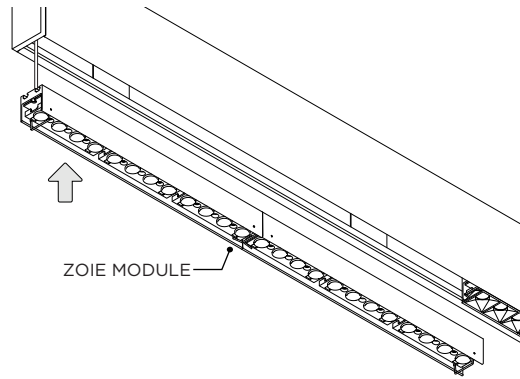




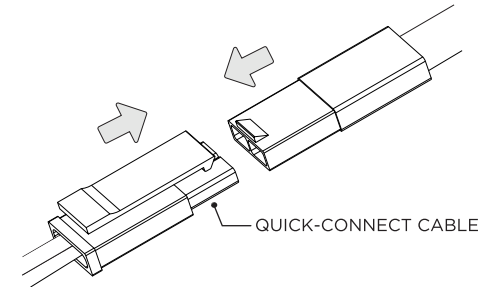
18



19

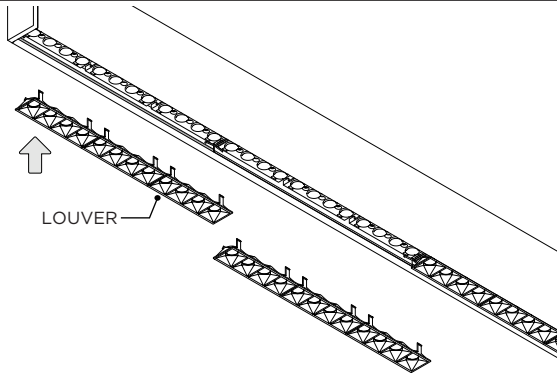


19A

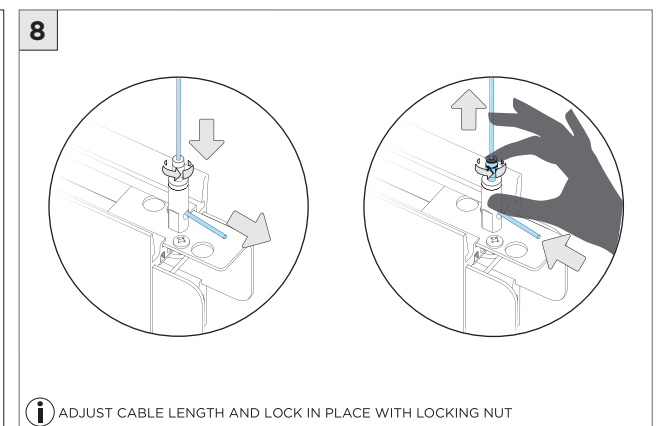
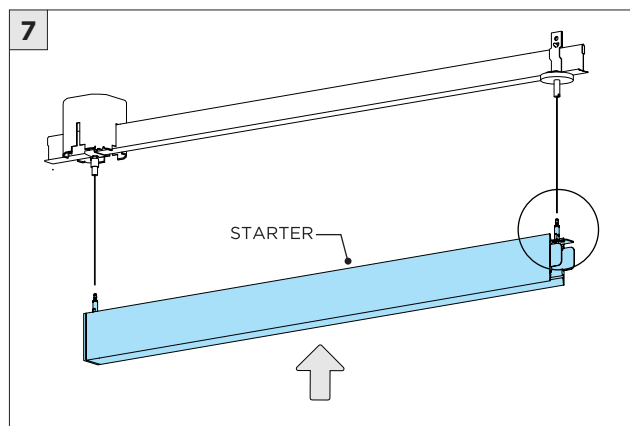
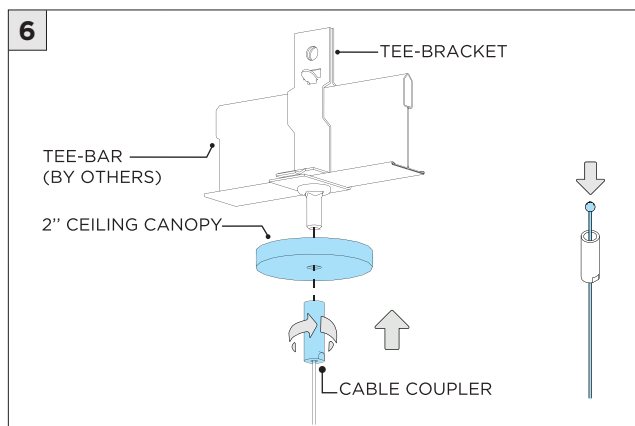
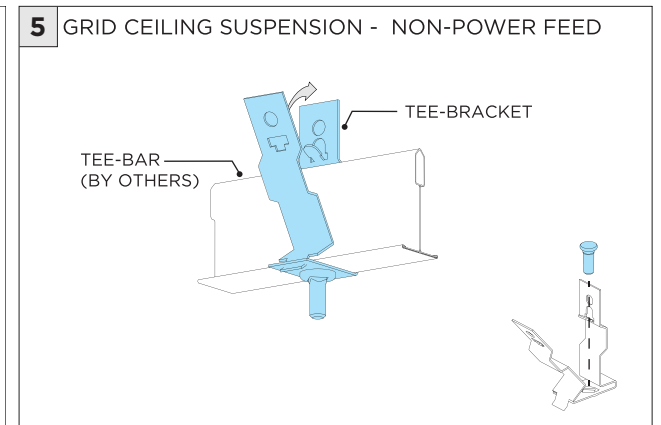
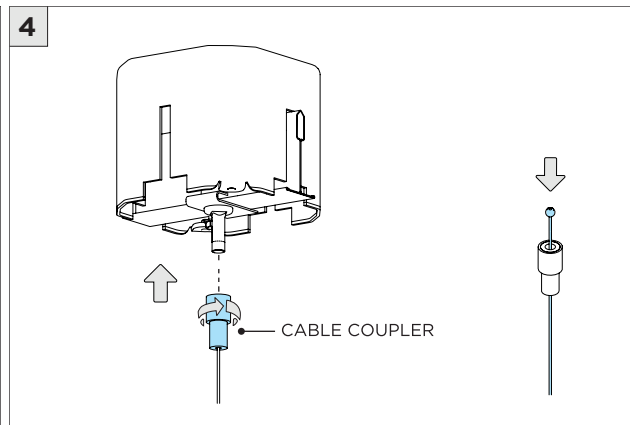
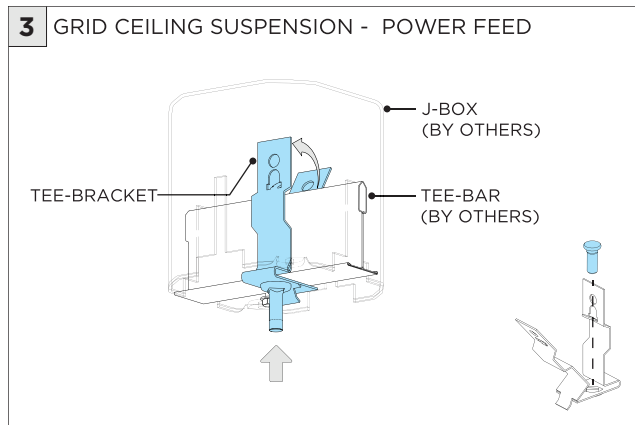
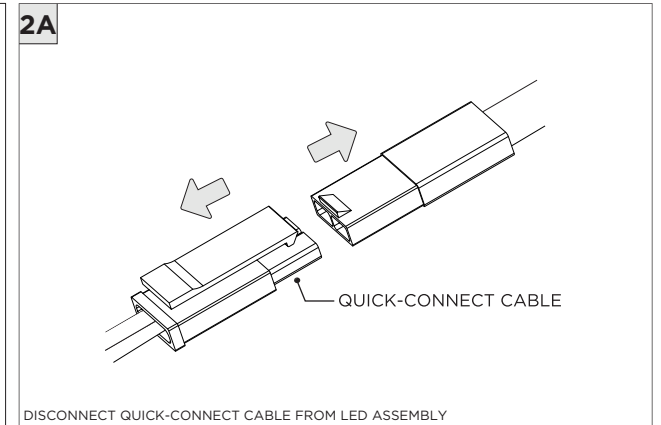
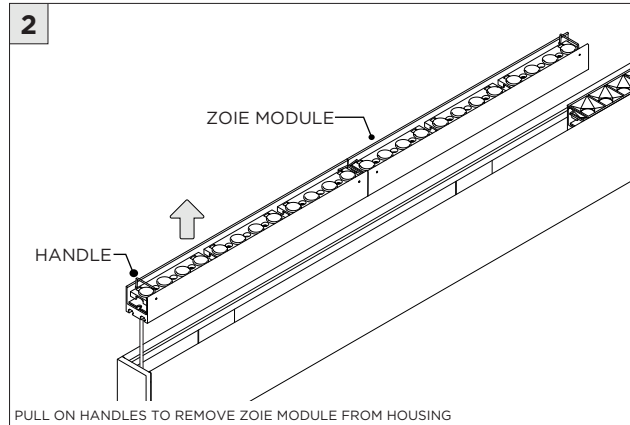
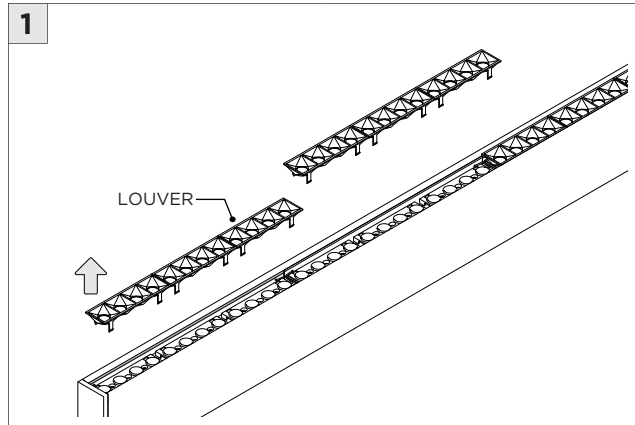


CONNECT QUICK-CONNECT CABLE TO LED ASSEMBLY

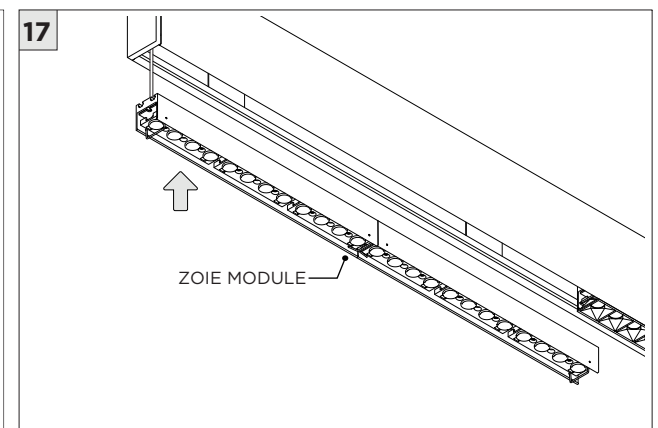
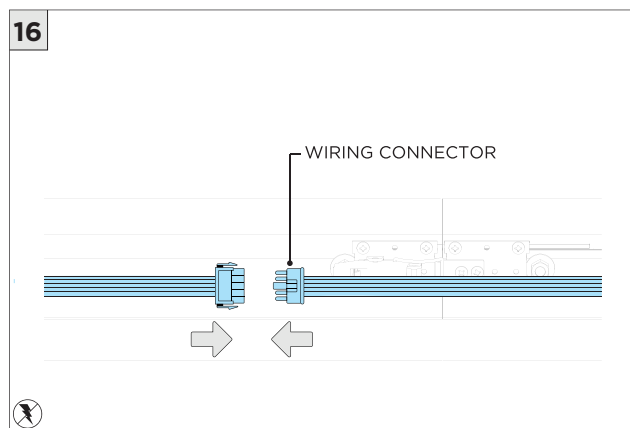
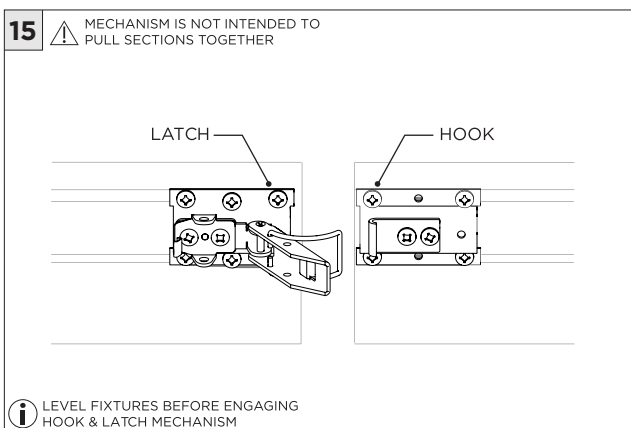
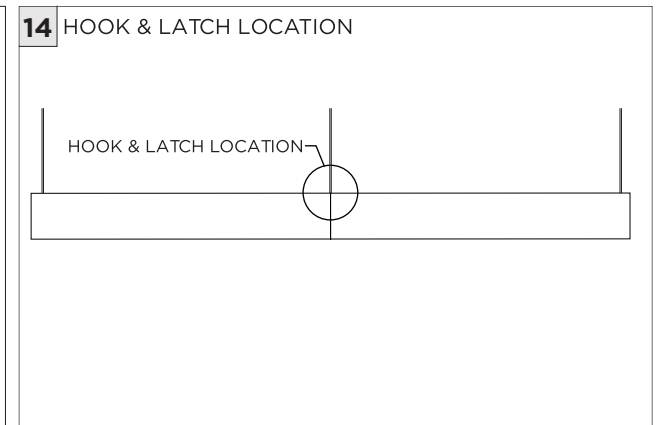
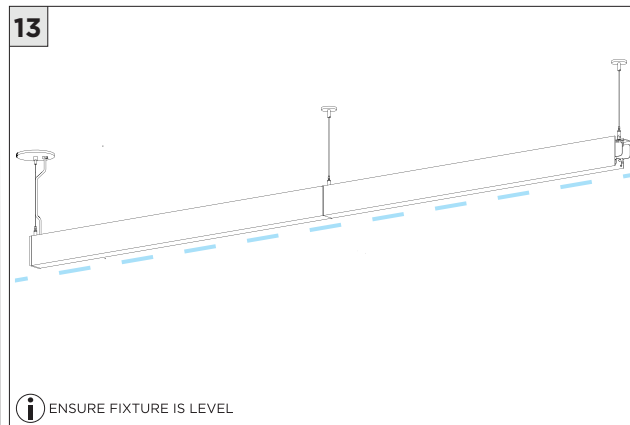
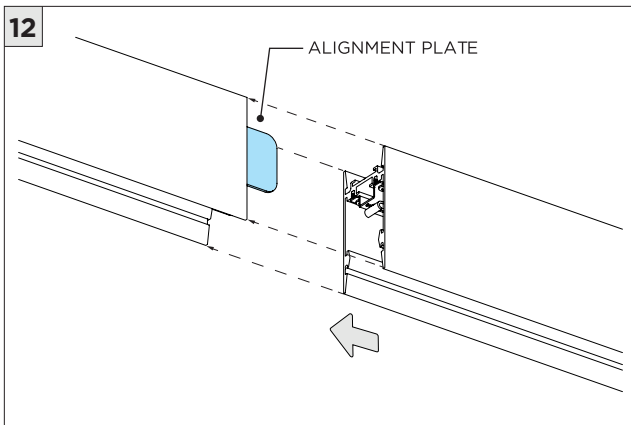
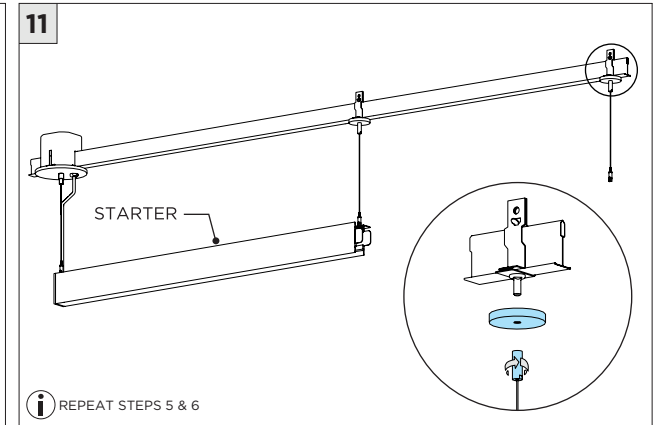
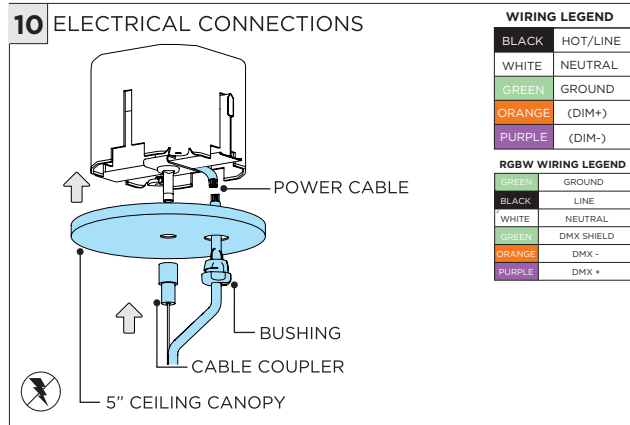
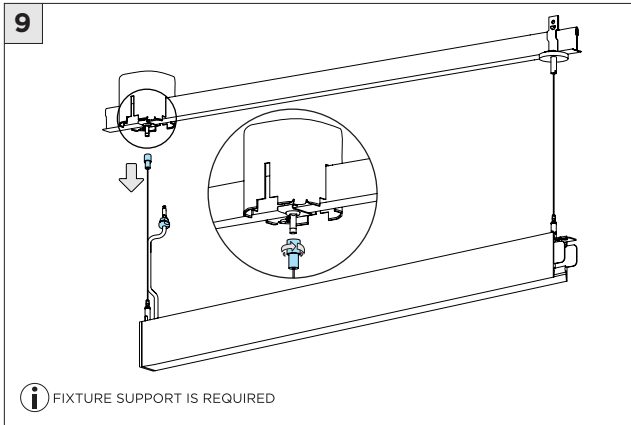
20



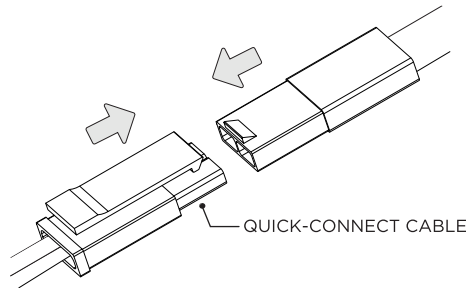
GRID CEILING SUSPENSION





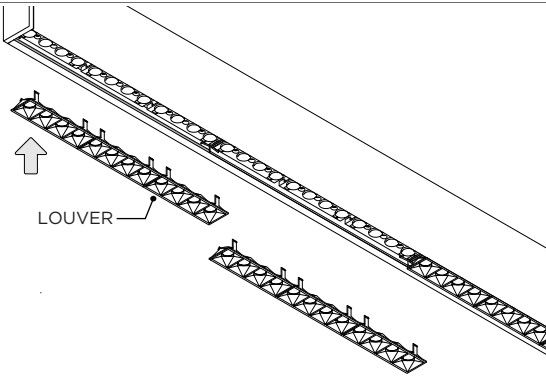


**17A**

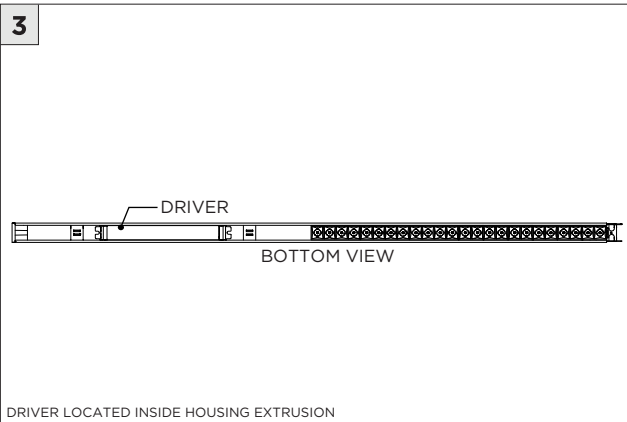
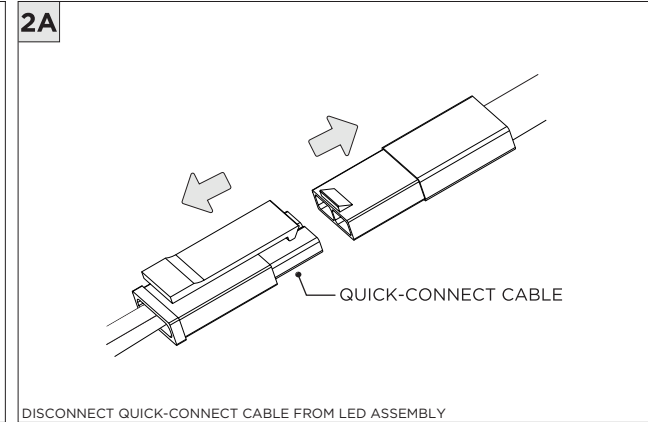
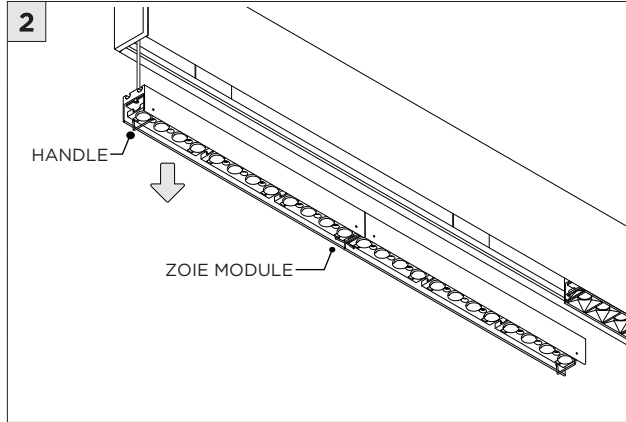
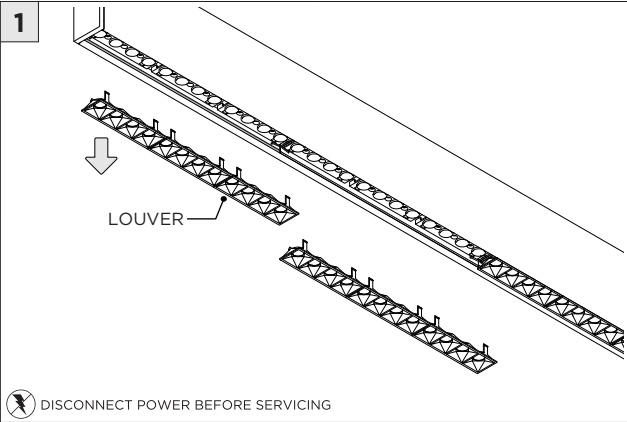


CONNECT QUICK-CONNECT CABLE TO LED ASSEMBLY

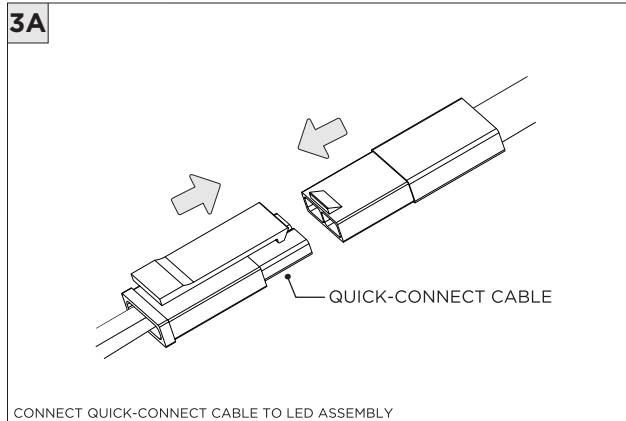
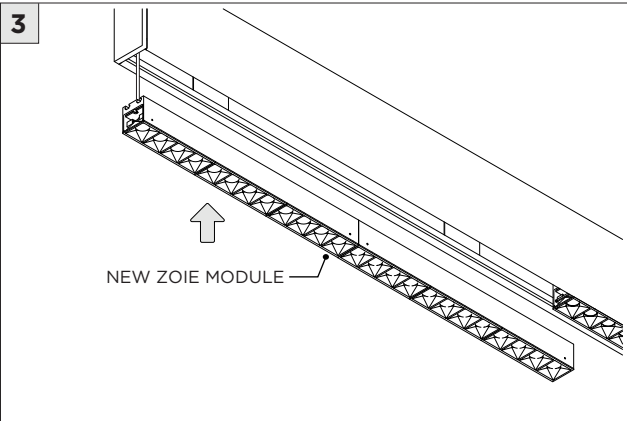
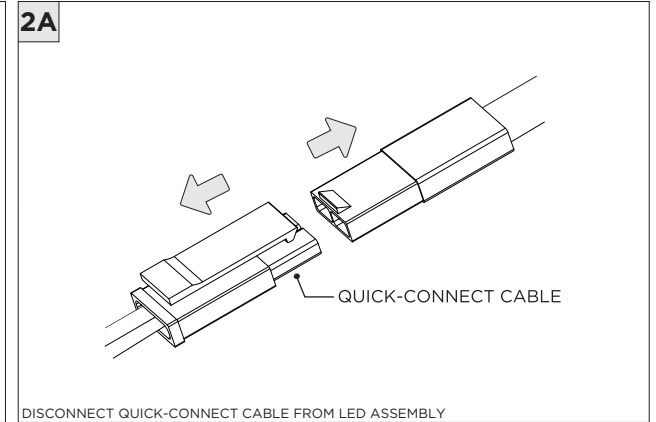
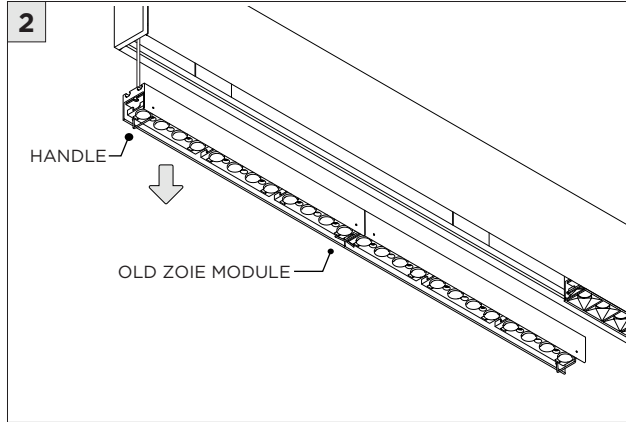
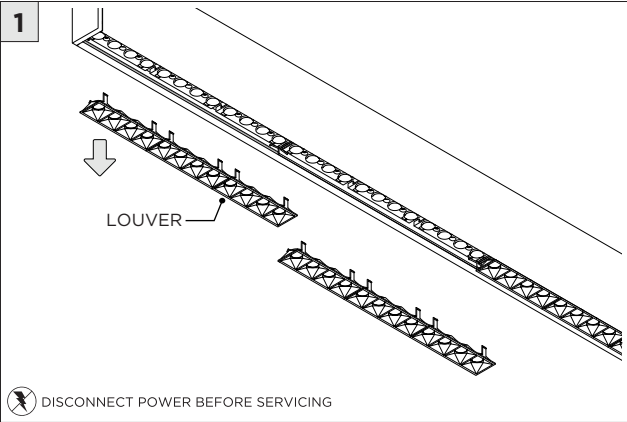
**18**



**DRIVER SERVICING**

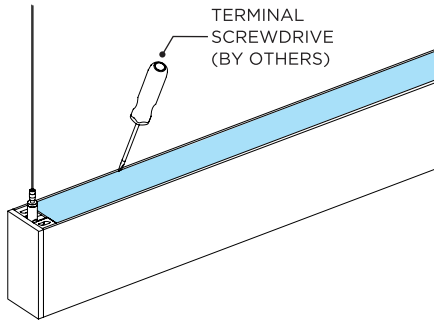


**LED SERVICING - DIRECT**



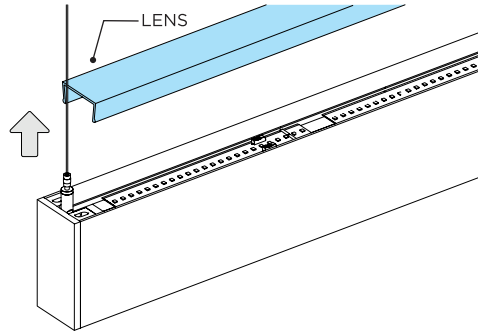
**LED SERVICING - INDIRECT**

**1** INDIRECT LENS REMOVAL

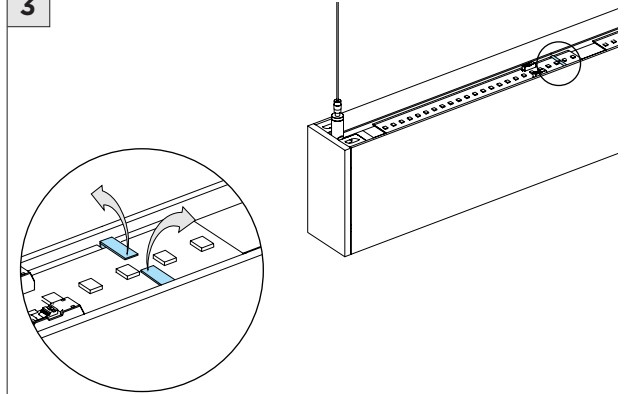


DISCONNECT POWER BEFORE SERVICING

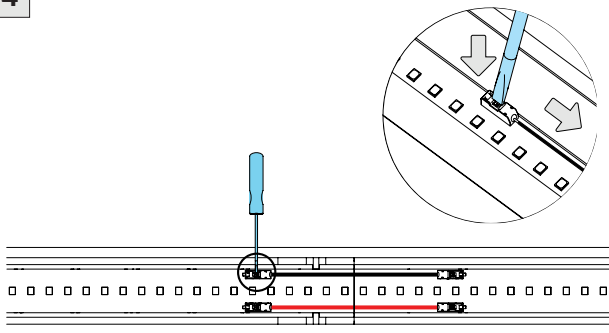
**2**



**3**

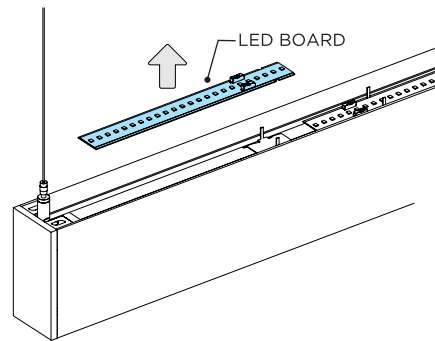


**4**

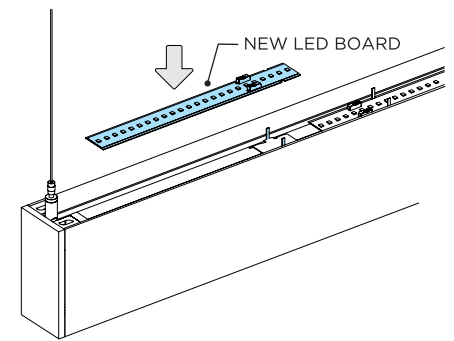


PRESS DOWN ON TAB TO RELEASE WIRES FROM LED

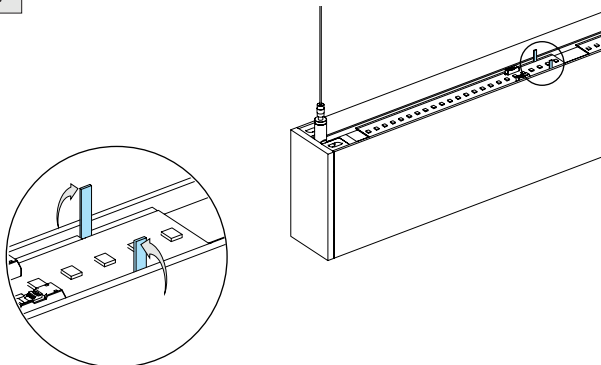
**5**



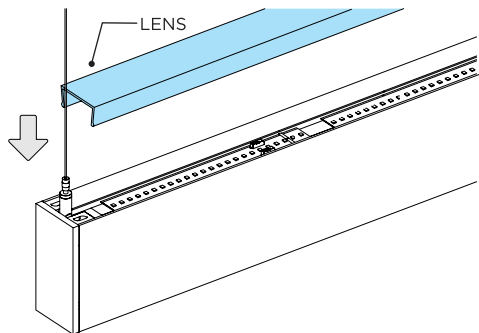
**6**



**7**



**8**



**LED SERVICING - INDIRECT - ASYMMETRIC AND WIDE SPREAD OPTIC**

