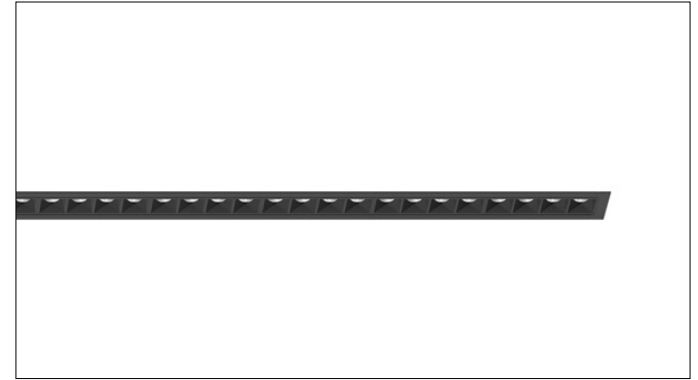


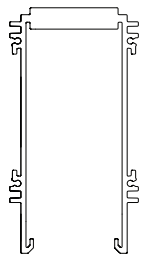
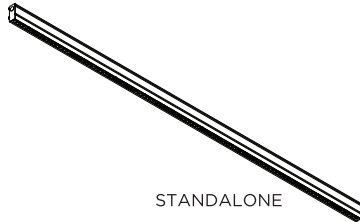
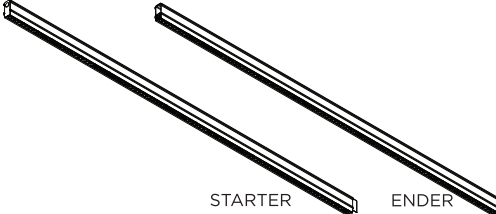
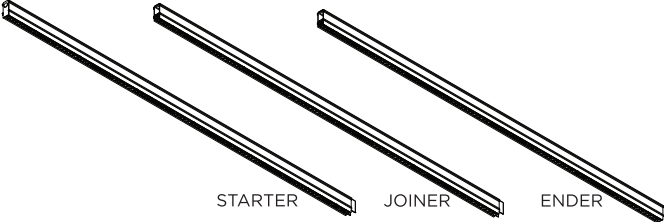


3G-1RMZSL
1.5" RECESSED ZONE SLOT
 FLANGELESS/TRIM FLANGE



⚠ FOR **NEW CONSTRUCTION** INSTALLATION ONLY

ⓘ THE IMAGES SHOWN ARE FOR ILLUSTRATION PURPOSES ONLY AND MAY NOT BE AN EXACT REPRESENTATION OF THE PRODUCT

FIXTURE TYPES	INCLUDED COMPONENTS		
3G-1RMZSL 	Standalone Fixture (2' to 8')  STANDALONE	Continuous Runs (9' to 16')  STARTER ENDER	Continuous Runs (17' and longer)  STARTER JOINER ENDER

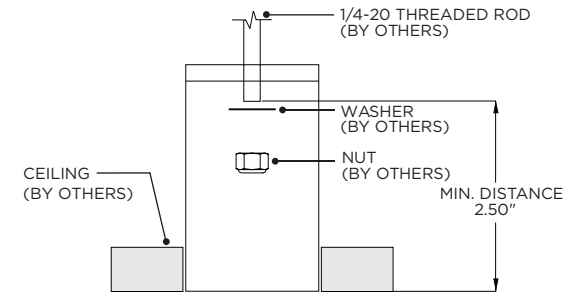
INSTRUCTION KEY	INFORMATION
⚠ ADDITIONAL	INSTALLATION SHOULD ONLY BE PERFORMED BY A CERTIFIED ELECTRICIAN
ⓘ ATTENTION	REFER TO LOCAL/NATIONAL CODES FOR PROPER INSTALLATION
⚡ POWER ON	FAILURE TO FOLLOW INSTALLATION INSTRUCTION MAY VOID THE WARRANTY
⏻ POWER OFF	DO NOT TOUCH LEDS. LEDS MUST BE PROTECTED FROM MECHANICAL STRESS OR DEBRIS TURN OFF POWER DURING INSTALLATION OR SERVICING

OVERVIEW

FLANGELESS - FX



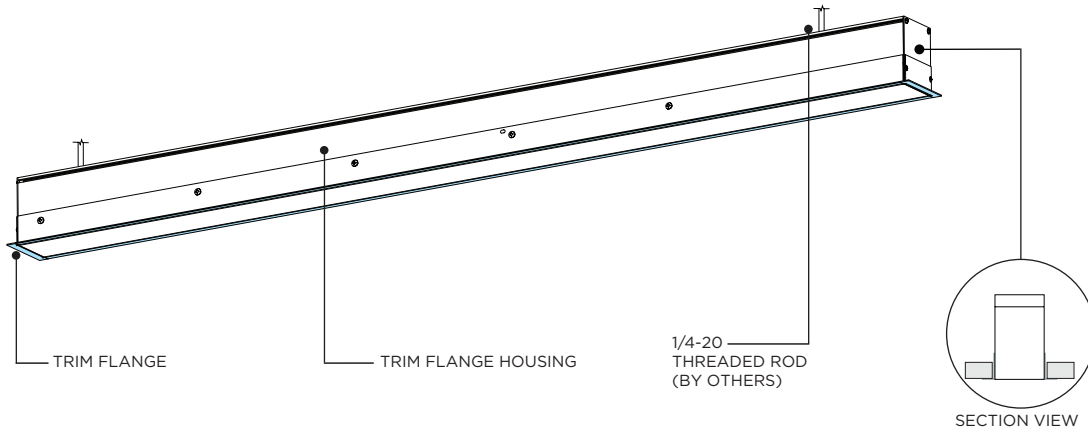
FLANGELESS - FX



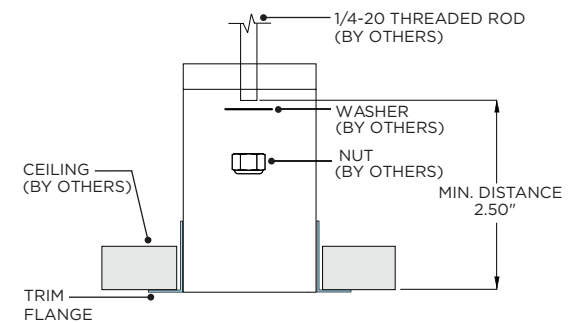
FLANGELESS - FX - CEILING CUT-OUT DIMENSIONS

FIXTURE TYPE	WIDTH	LENGTH
3G-1RMZSL	1.600"	LENGTH + 0.125"

WHITE TRIM FLANGE - WT



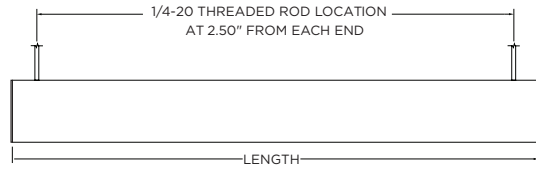
WHITE TRIM FLANGE - WT



WHITE TRIM FLANGE - WT - CEILING CUT-OUT DIMENSIONS

FIXTURE TYPE	WIDTH	LENGTH
3G-1RMZSL	2.150"	LENGTH + 0.380"

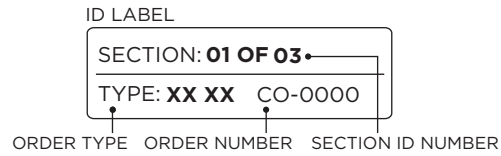
THREADED ROD LOCATION



THREADED ROD LOCATION

3'	31"	6'	67"
4'	43"	7'	79"
5'	55"	8'	91"

IDENTIFICATION AND PREPARATION

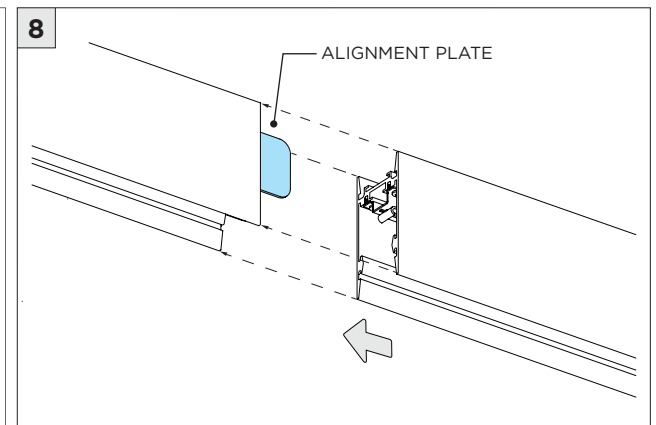
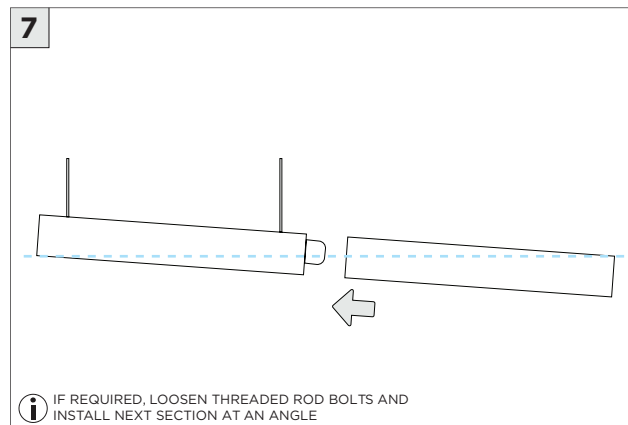
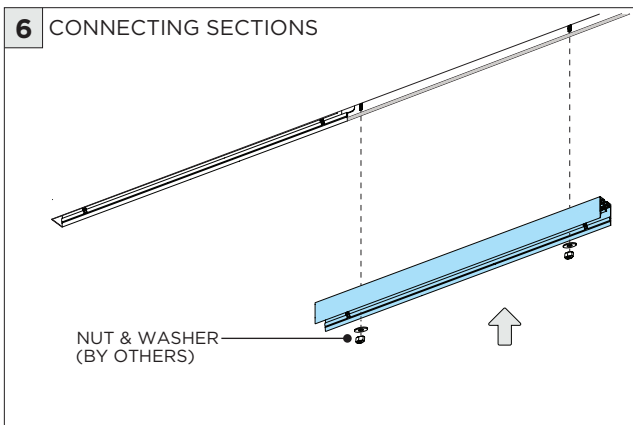
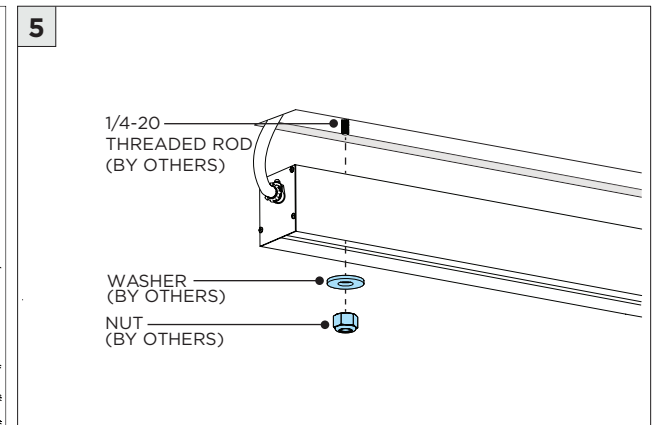
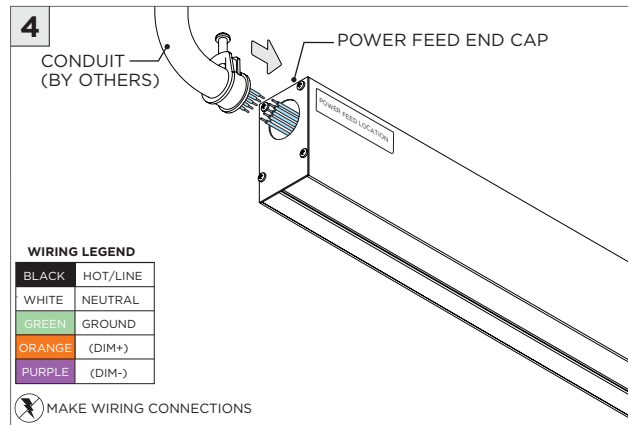
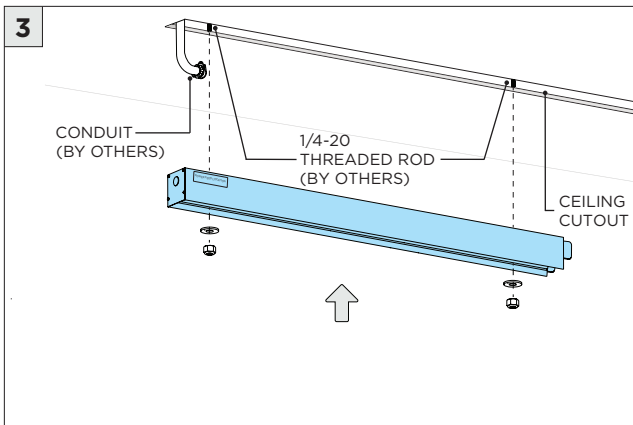
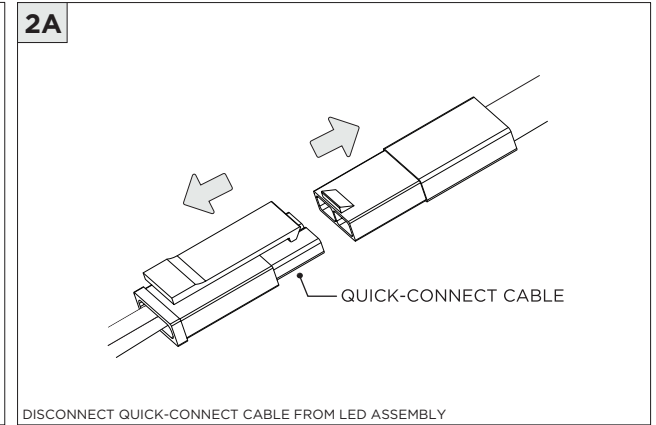
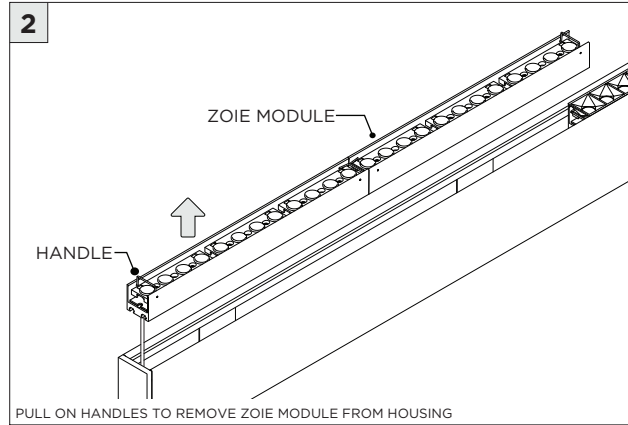
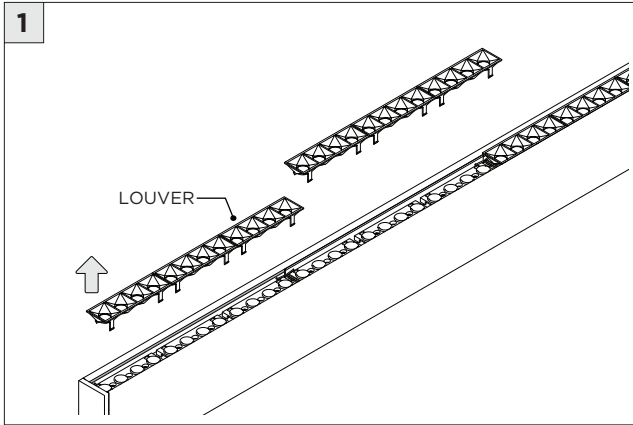


i IDENTIFY FIXTURE SECTIONS BY THE ID LABELS FOUND ON THE BOX INSIDE THE SECTIONS

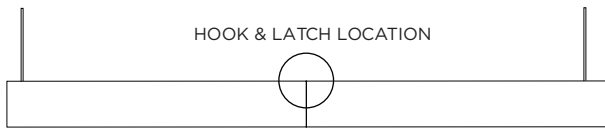
ID LABEL

SECTION: **01 OF 03**
TYPE: **XX XX** CO-0000



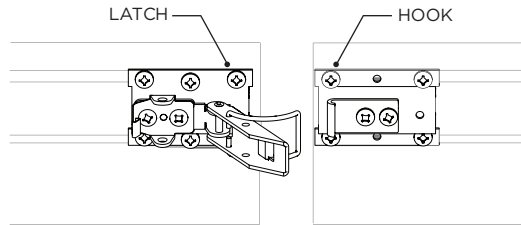


9 HOOK & LATCH LOCATION



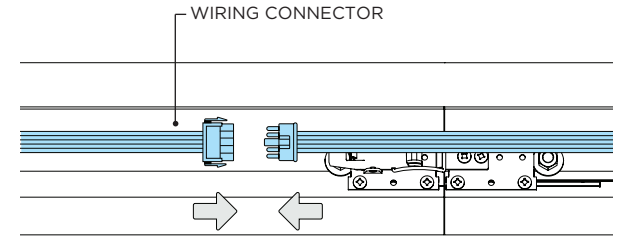
10

⚠ MECHANISM IS NOT INTENDED TO PULL SECTIONS TOGETHER



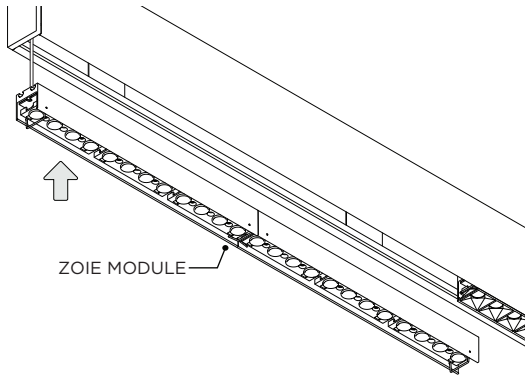
i LEVEL FIXTURES BEFORE ENGAGING HOOK & LATCH MECHANISM

11

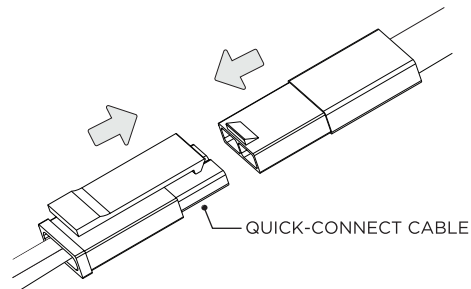


⊗

12

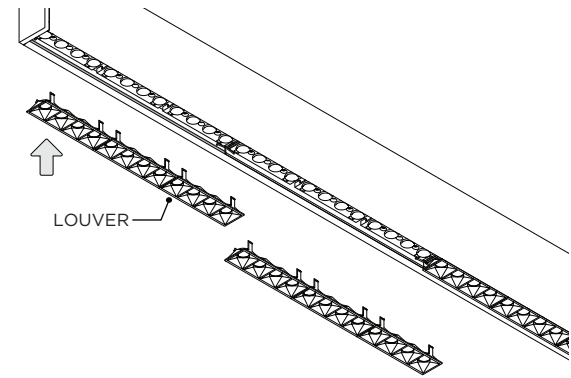


12A

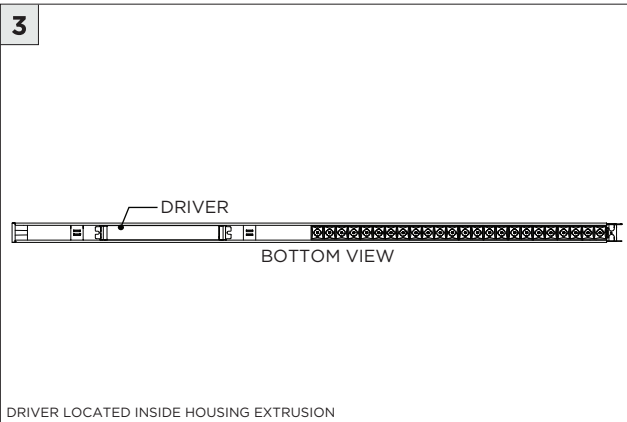
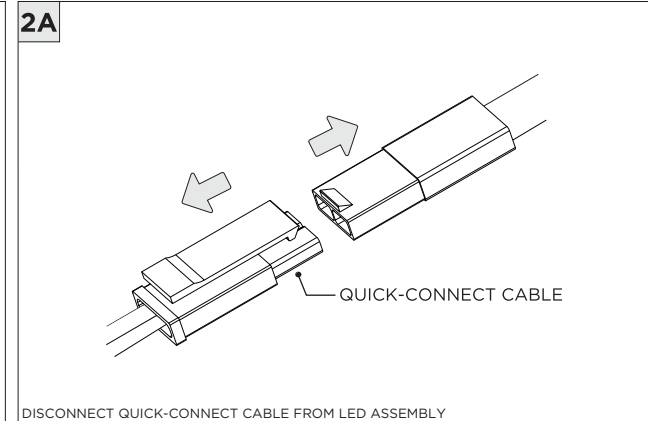
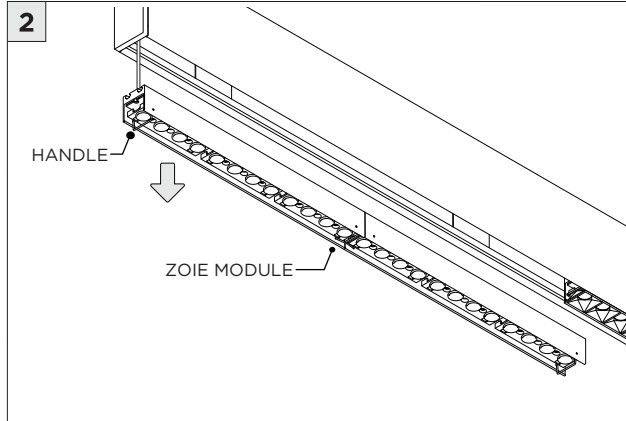
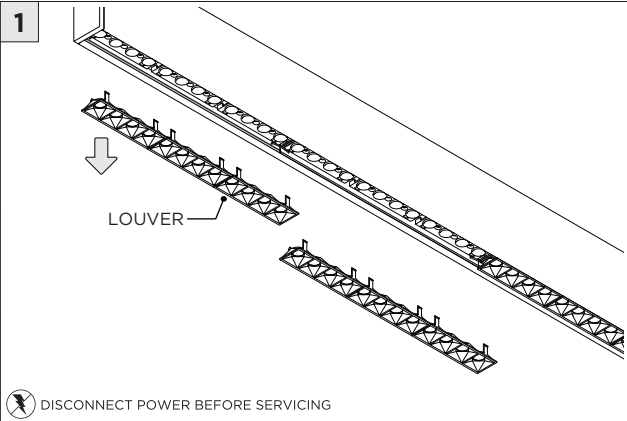


CONNECT QUICK-CONNECT CABLE TO LED ASSEMBLY

13



DRIVER SERVICING



LED SERVICING - DIRECT

