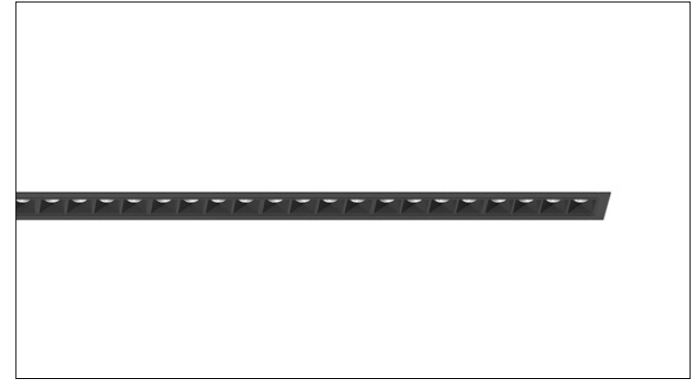


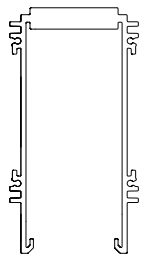
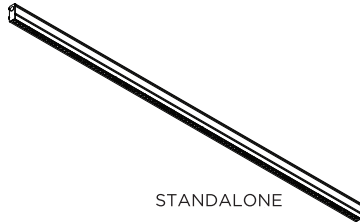
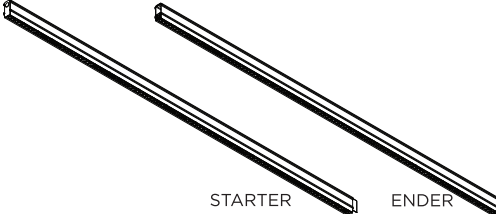
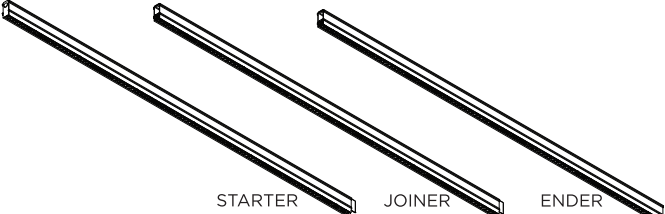


3G-1RMZSL
1.5" RECESSED ZOI E SLOT
 TRIMLESS FLANGE



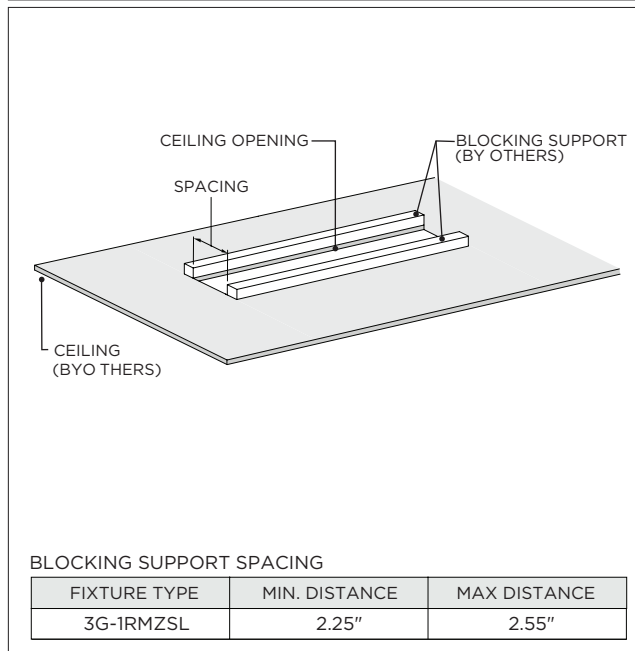
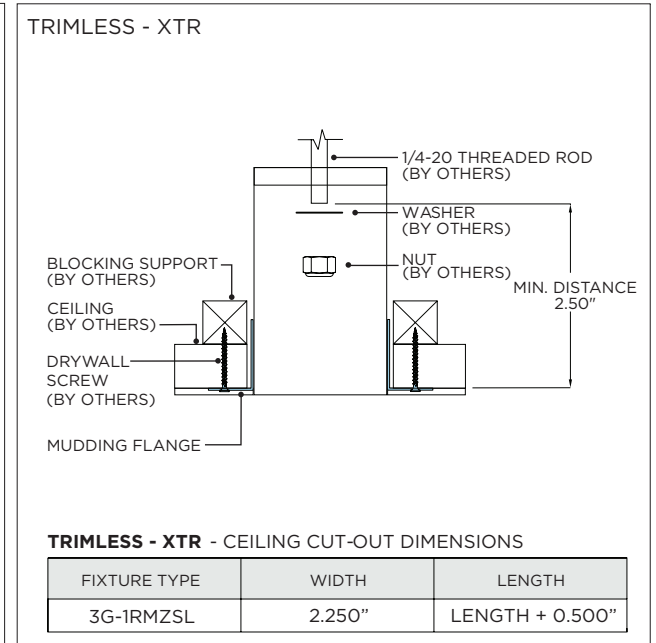
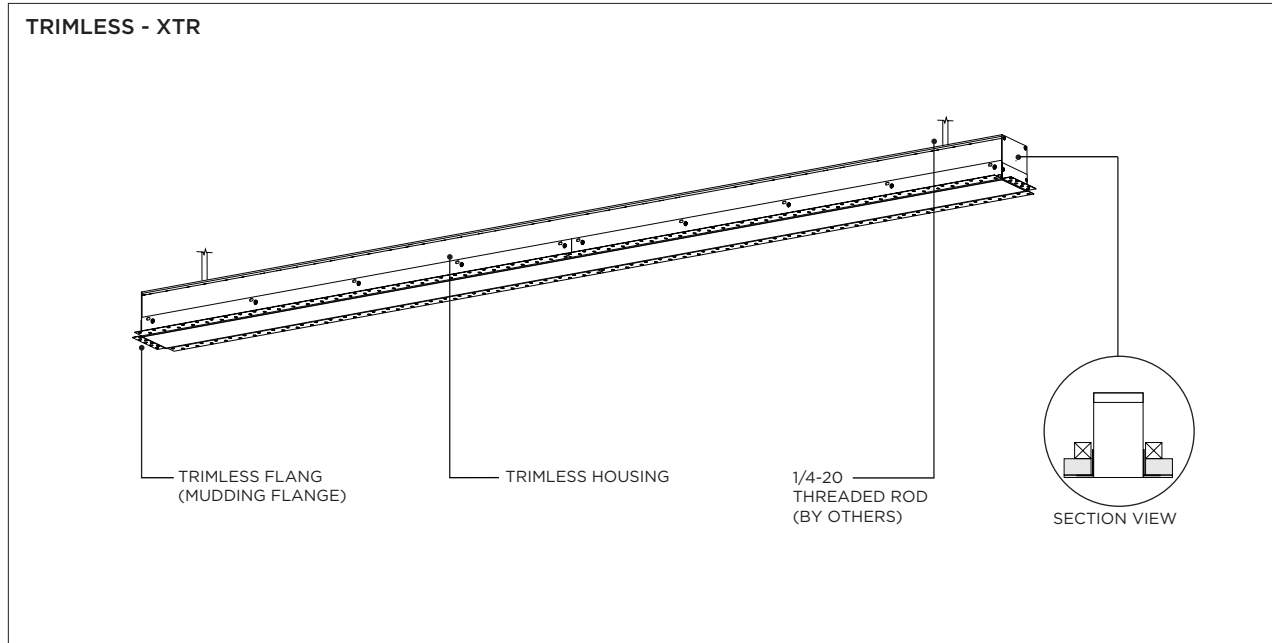
⚠ FOR **NEW CONSTRUCTION** INSTALLATION ONLY

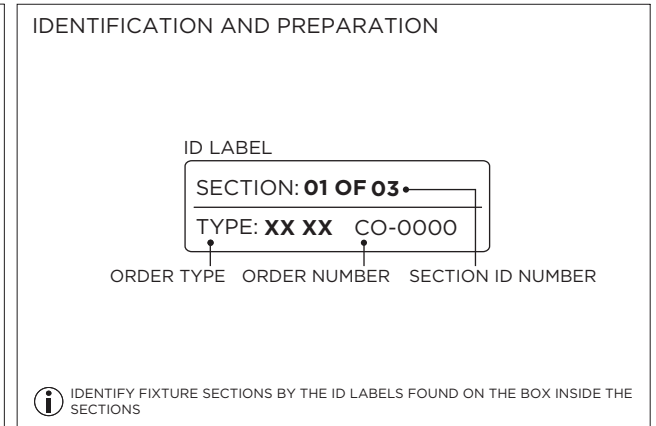
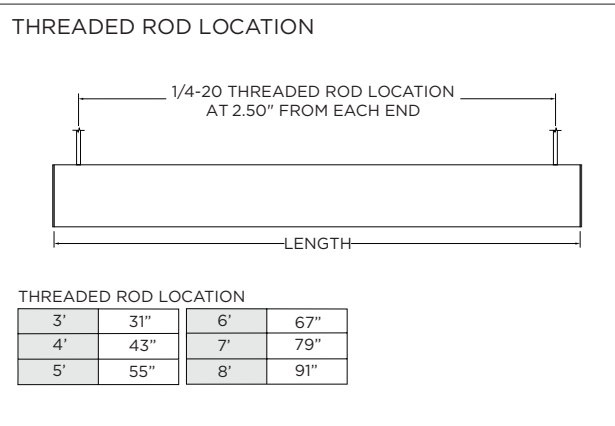
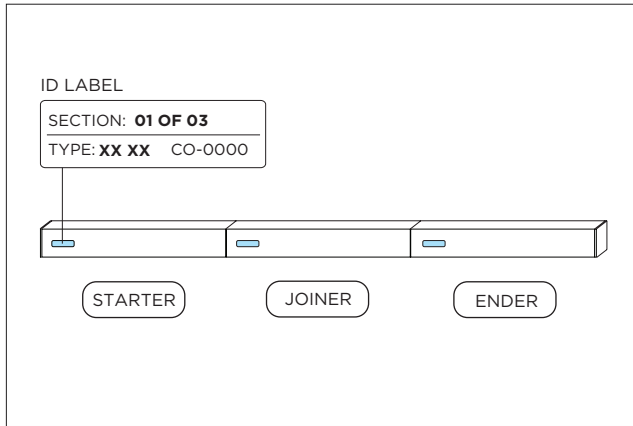
ⓘ THE IMAGES SHOWN ARE FOR ILLUSTRATION PURPOSES ONLY AND MAY NOT BE AN EXACT REPRESENTATION OF THE PRODUCT

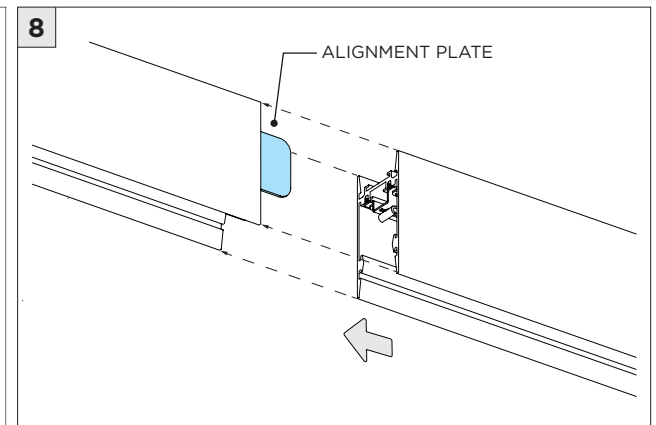
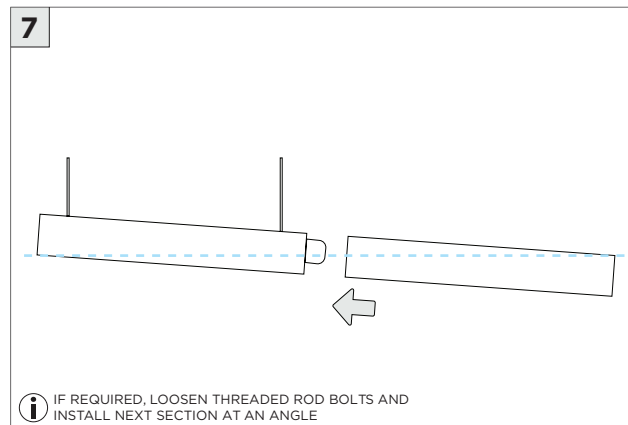
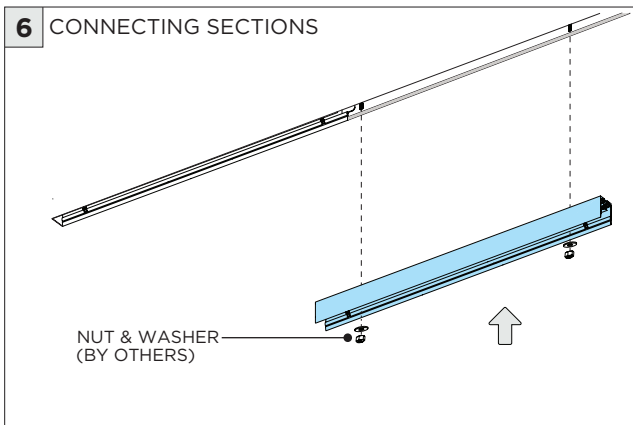
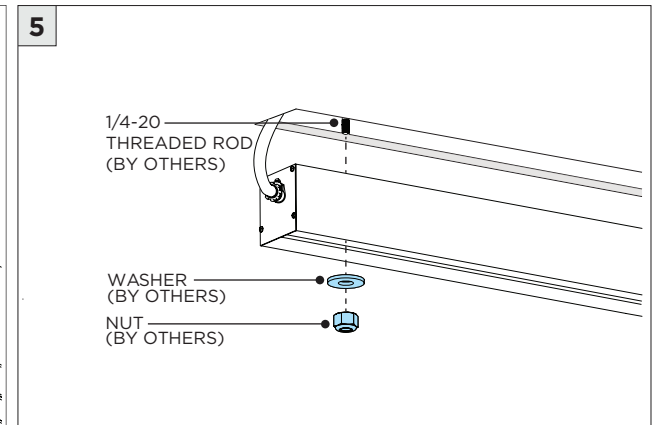
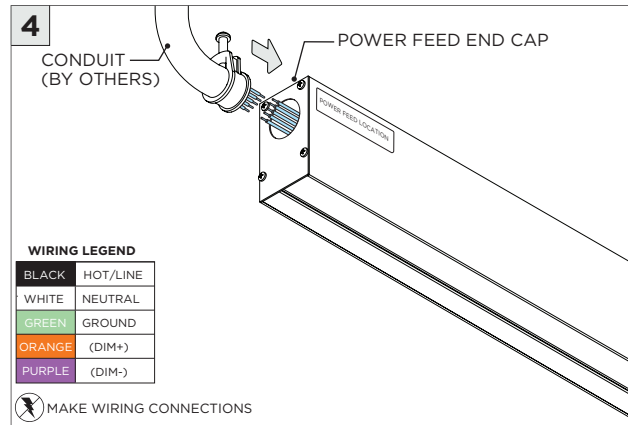
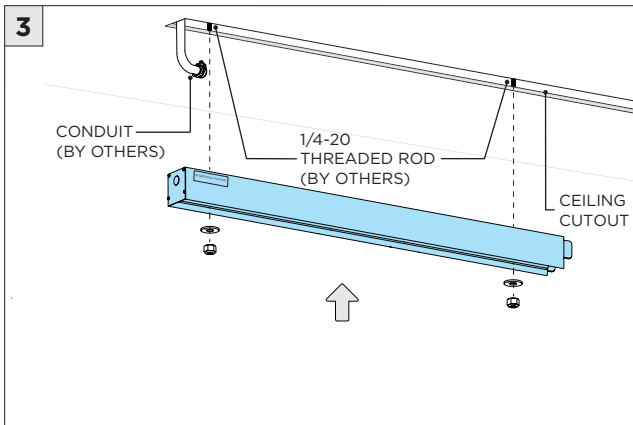
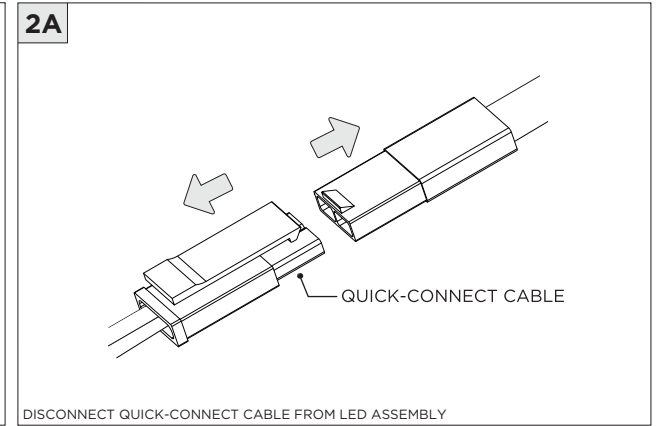
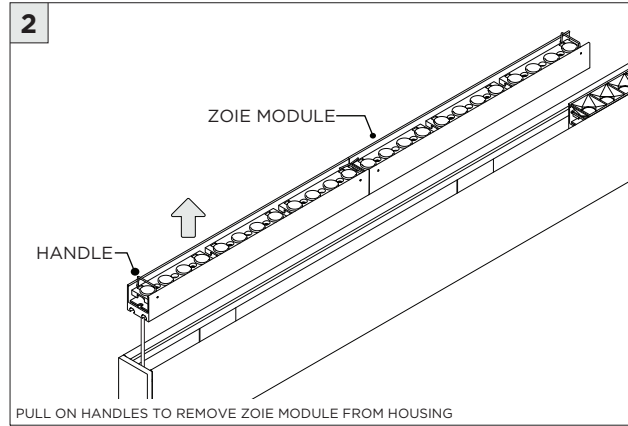
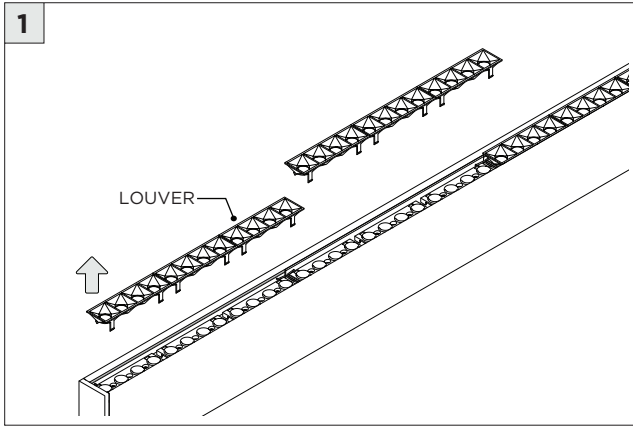
FIXTURE TYPES	INCLUDED COMPONENTS		
3G-1RMZSL 	Standalone Fixture (2' to 8')  STANDALONE	Continuous Runs (9' to 16')  STARTER ENDER	Continuous Runs (17' and longer)  STARTER JOINER ENDER

INSTRUCTION KEY	INFORMATION
⚠ ADDITIONAL	INSTALLATION SHOULD ONLY BE PERFORMED BY A CERTIFIED ELECTRICIAN
ⓘ ATTENTION	REFER TO LOCAL/NATIONAL CODES FOR PROPER INSTALLATION
⚡ POWER ON	FAILURE TO FOLLOW INSTALLATION INSTRUCTION MAY VOID THE WARRANTY
⚡ POWER OFF	DO NOT TOUCH LEDS. LEDS MUST BE PROTECTED FROM MECHANICAL STRESS OR DEBRIS
	TURN OFF POWER DURING INSTALLATION OR SERVICING

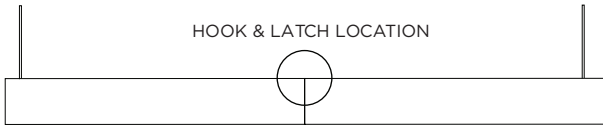
OVERVIEW





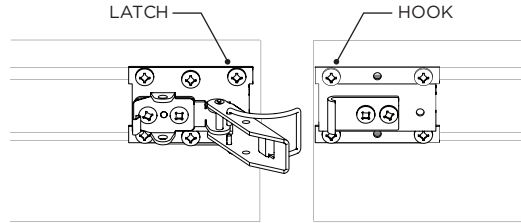


9 HOOK & LATCH LOCATION



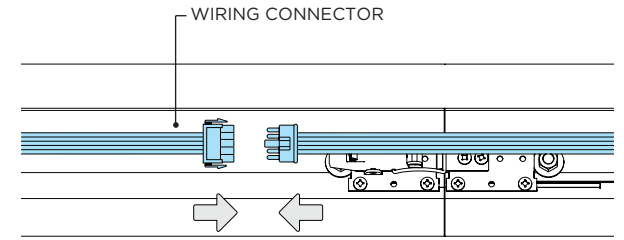
10

⚠ MECHANISM IS NOT INTENDED TO PULL SECTIONS TOGETHER



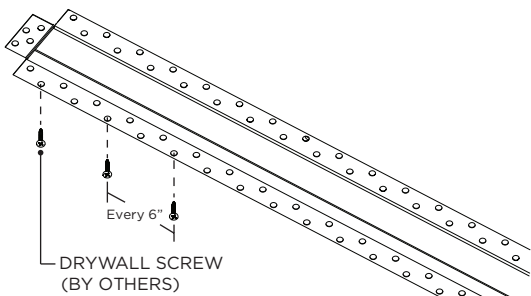
i LEVEL FIXTURES BEFORE ENGAGING HOOK & LATCH MECHANISM

11



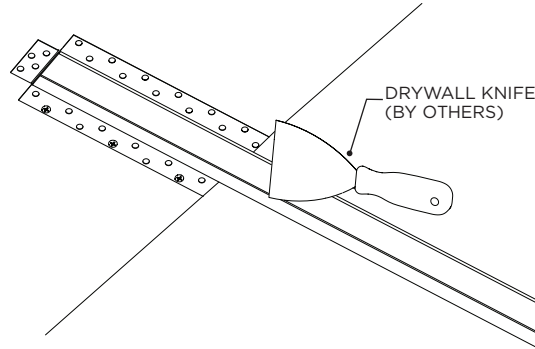
⊗

12



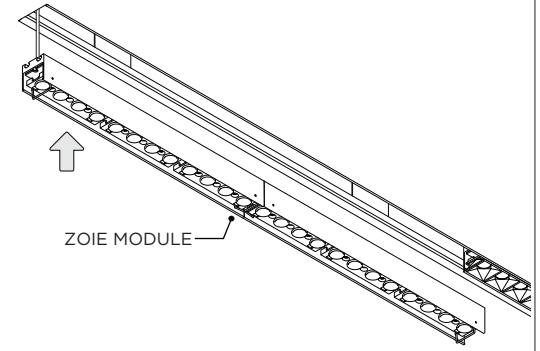
i SECURE FLANGES TO CEILING USING APPROPRIATE SCREW FOR HARD SURFACE, PER LOCAL BUILDING CODES.

13

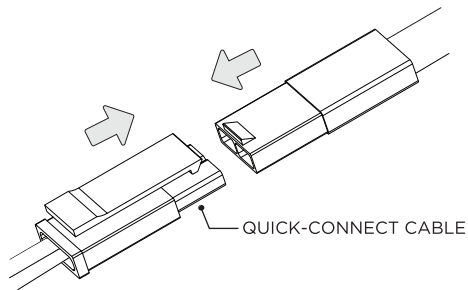


i APPLY MUDDING TO CEILING

14

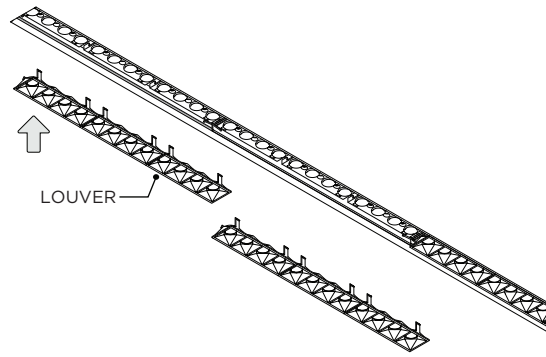


14A

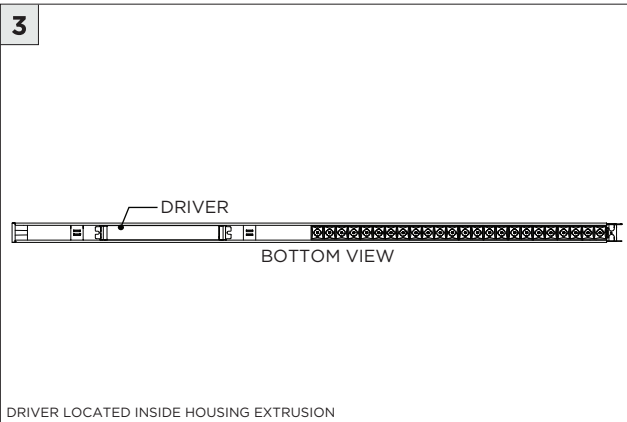
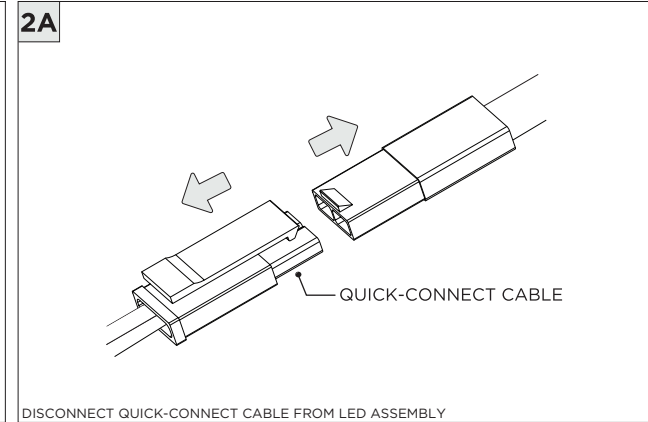
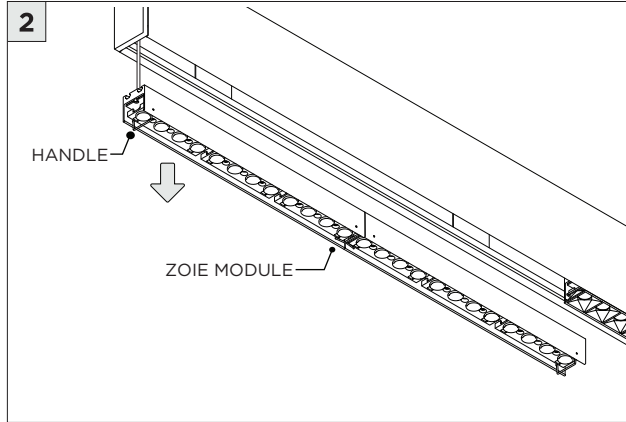
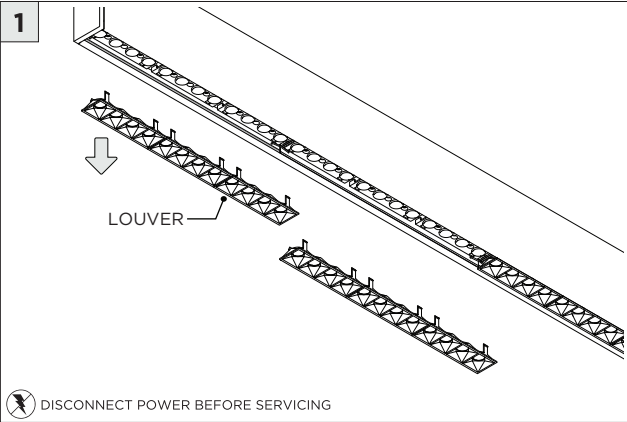


CONNECT QUICK-CONNECT CABLE TO LED ASSEMBLY

15



DRIVER SERVICING



LED SERVICING - DIRECT

