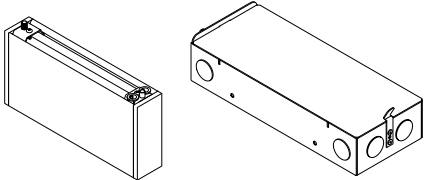
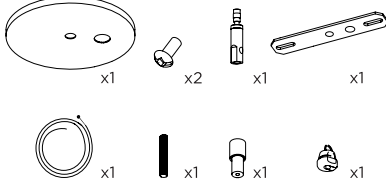
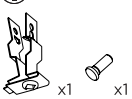

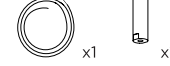
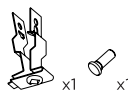




**3G-PMZ4, 3G-PMZ8, 3G-PMZ12
PENDANT ZOIE**

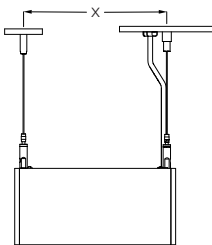


i THE IMAGES SHOWN ARE FOR ILLUSTRATION PURPOSES ONLY AND MAY NOT BE AN EXACT REPRESENTATION OF THE PRODUCT

INCLUDED COMPONENTS	POWER FEED KIT	NON - POWER FEED KIT
 <p>PENDANT ZOIE</p> <p>DRIVER ENCLOSURE (IF APPLICABLE)</p>	 <p>i FOR GRID CEILING APPLICATION</p> 	  <p>i FOR GRID CEILING APPLICATION</p> 

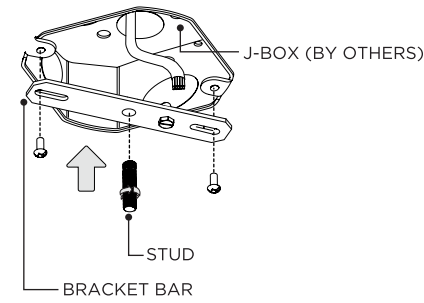
INSTRUCTION KEY	INFORMATION
	INSTALLATION SHOULD ONLY BE PERFORMED BY A CERTIFIED ELECTRICIAN
	REFER TO LOCAL/NATIONAL CODES FOR PROPER INSTALLATION
	FAILURE TO FOLLOW INSTALLATION INSTRUCTION MAY VOID THE WARRANTY
	DO NOT TOUCH LEDS. LEDS MUST BE PROTECTED FROM MECHANICAL STRESS OR DEBRIS TURN OFF POWER DURING INSTALLATION OR SERVICING

1



FIXTURE TYPE	SUSPENSION DISTANCE (X)
PMZ4	3.585"
PMZ8	7.570"
PMZ12	11.497"

2 DRYWALL SUSPENSION - POWER FEED

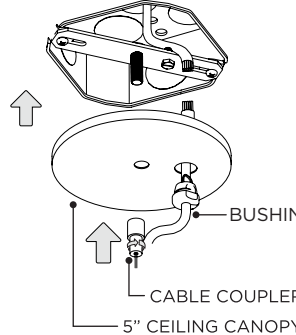


J-BOX (BY OTHERS)

STUD

BRACKET BAR

3



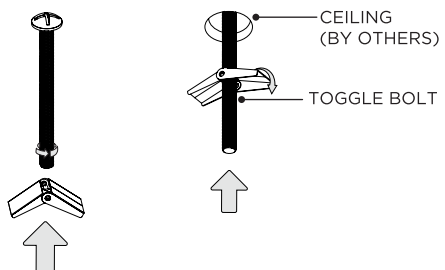
BUSHING + POWER CABLE

CABLE COUPLER

5" CEILING CANOPY

WIRING LEGEND	
BLACK	HOT/LINE
WHITE	NEUTRAL
GREEN	GROUND
ORANGE	(DIM+)
PURPLE	(DIM-)

4 DRYWALL SUSPENSION - NON-POWER FEED

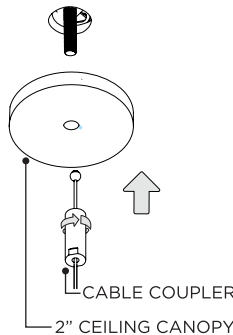


CEILING (BY OTHERS)

TOGGLE BOLT

REST TOGGLE BOLT ON TOP OF CEILING

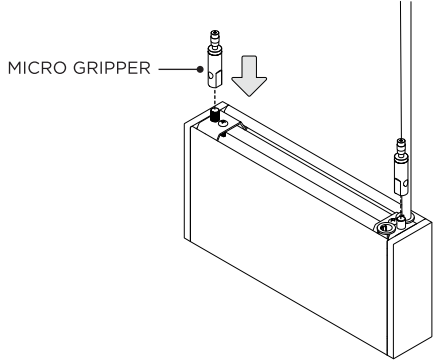
5



CABLE COUPLER

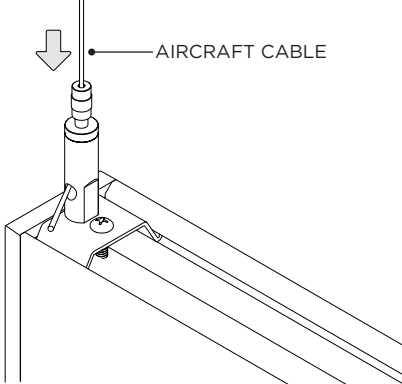
2" CEILING CANOPY

6



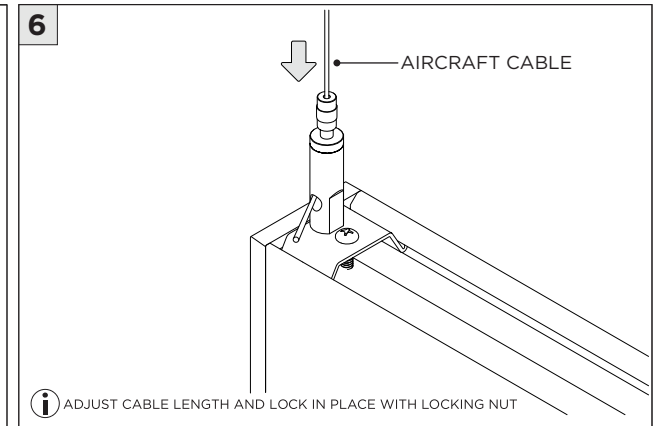
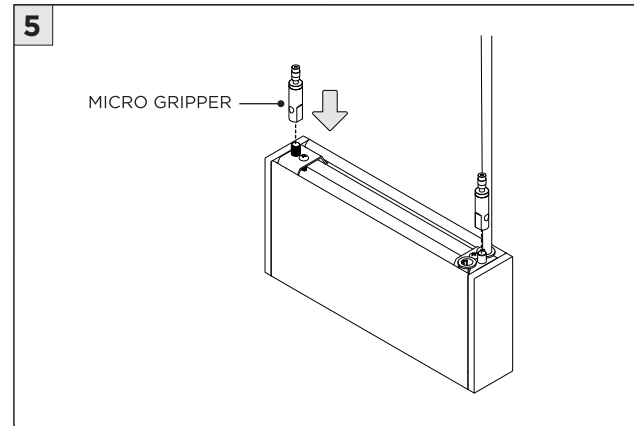
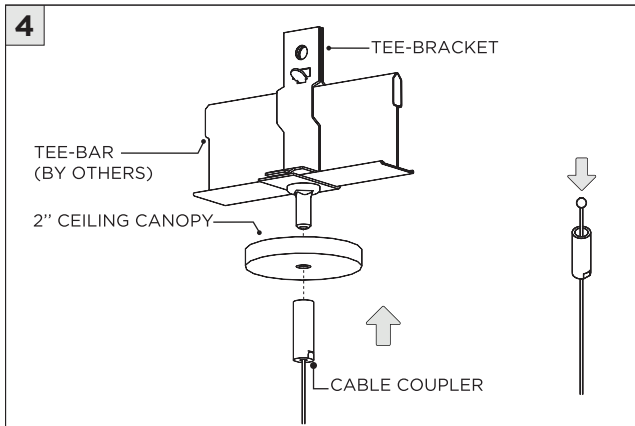
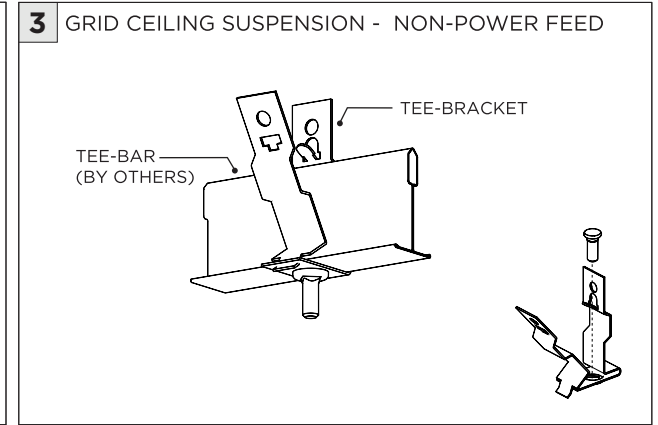
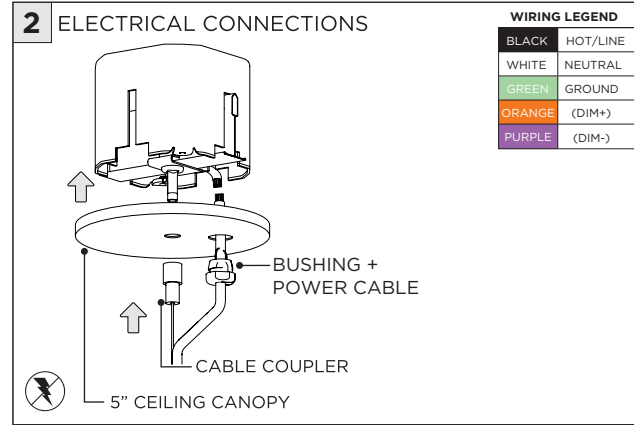
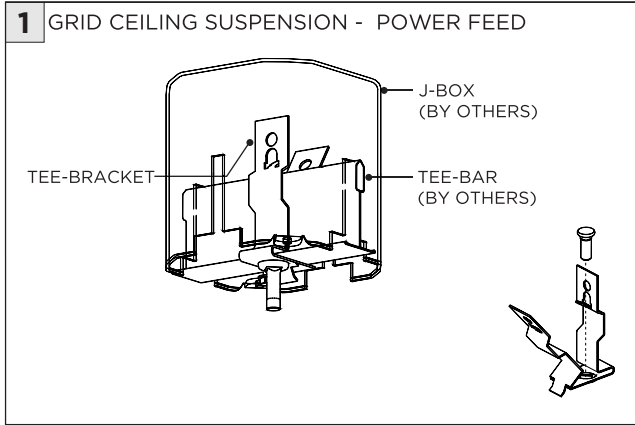
MICRO GRIPPER

7

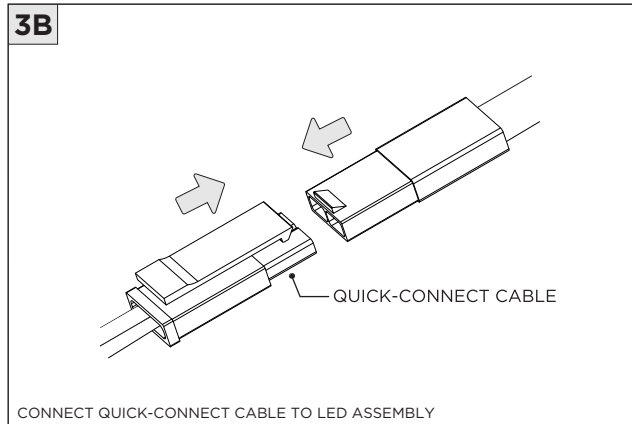
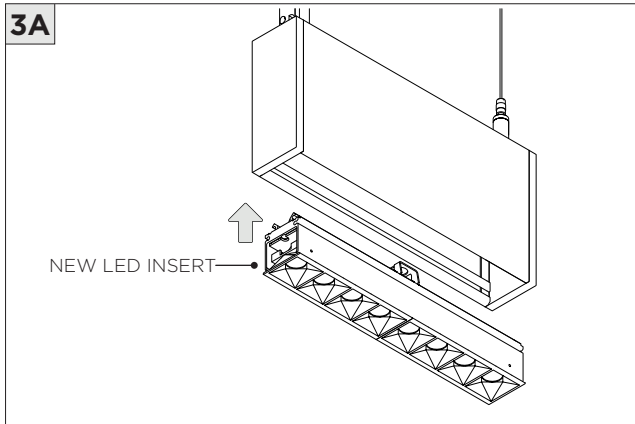
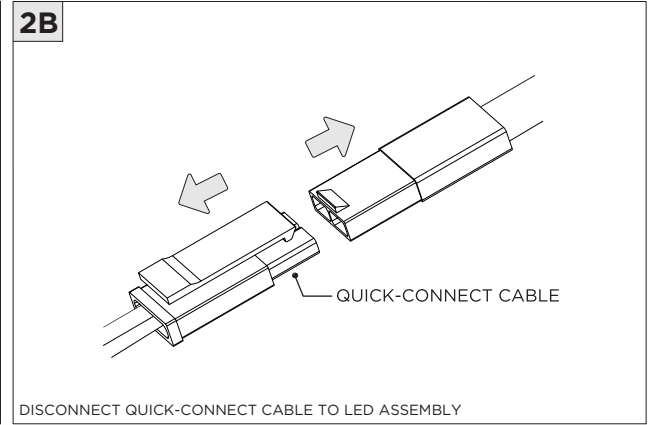
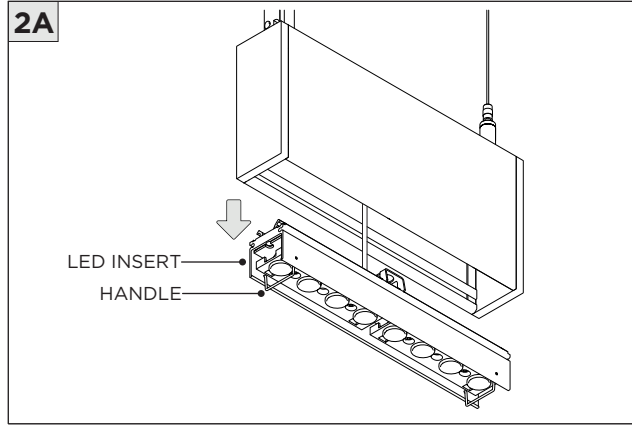
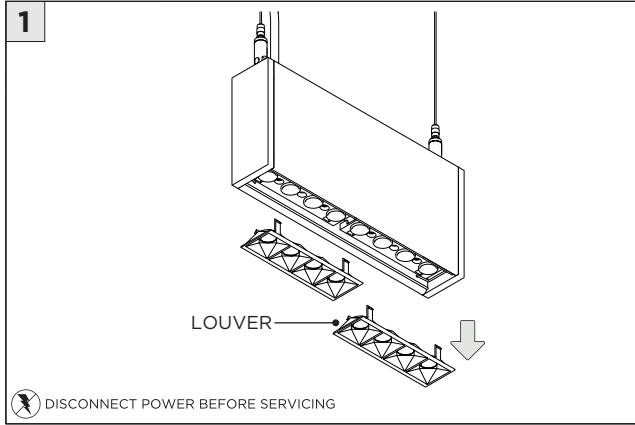


AIRCRAFT CABLE

i ADJUST CABLE LENGTH AND LOCK IN PLACE WITH LOCKING NUT



LED SERVICING



DRIVER SERVICING

