



## 3G-PCL45RM5

4.5" DIAMETER ADJUSTABLE CYLINDER  
PENDANT MOUNTED  
DYNAMIC WHITE



4.5" diameter high performance adjustable cylinder  
Companion to 3G's Madison product family  
Machined aluminum double gimbal. Adjustable and lockable  
1.95" Regressed LED source for enhanced glare control  
Extruded aluminum housing with powder coated finish  
Twist and lock construction and no visible hardware  
Dim to Warm and Tunable White LED options up to 2000lm (90+ CRI)  
1% dimming standard with several integral driver options

### ORDERING INFORMATION

|                   |                      |              |                      |
|-------------------|----------------------|--------------|----------------------|
| <b>PROJECT:</b>   | <input type="text"/> | <b>TYPE:</b> | <input type="text"/> |
| <b>CATALOG #:</b> | <input type="text"/> | <b>DATE:</b> | <input type="text"/> |

| CAT. NO            | LED SOURCE  | LUMEN OUTPUT                                      | CRI                  | BEAM ANGLE  | VOLTAGE   |
|--------------------|---|---|----------------------|---|---|
| <b>3G-PCL45RM5</b> | <b>DW</b> - DIM TO WARM<br>(1800-3000K)                 | <b>08</b> - 800 LUMENS<br><b>12</b> - 1200 LUMENS | <b>H90</b> - 90+ CRI | <b>20D</b> - 20° <sup>2</sup><br><b>40D</b> - 40°<br><b>60D</b> - 60°<br><b>90D</b> - 90° * | <b>UNV</b> - 120/277V<br><b>120</b> - 120V<br><b>347</b> - 347V<br>(0-10V ONLY) |
|                    | <b>TW</b> - TUNABLE WHITE <sup>1</sup><br>(2700K-6500K) | <b>20</b> - 2000 LUMENS                           |                      |   |   |
|                    |   |   |                      |   |   |

\* 90D reflector supplied standard with lens

| DRIVER   | CYLINDER & INSERT FINISH  | GIMBAL FINISH  | CANOPY FINISH  |
|--|---|--|--|
| <b>DIM</b> - 0-10V (STANDARD 100-1%)<br><b>LE</b> - PHASE DIMMING <sup>3</sup><br>(TRIAC/ELV, 100-1%)<br><b>LTEA</b> - LUTRON HI-LUME LTEA <sup>3</sup><br>(FWD PHASE, 100-1%)<br><b>D01</b> - 0-10V (eldoLED, 100-0.1%) <sup>1</sup><br><b>DALI</b> - DALI (eldoLED, 100-1%) <sup>1,4</sup><br><b>DHL2</b> - LUTRON HI-LUME LDE1<br>(1% ECOSYSTEM)<br><b>DMX</b> - DMX (eldoLED, 100-0%) <sup>1</sup> | <b>WH</b> - WHITE (STANDARD)<br><b>BK</b> - BLACK<br><b>SV</b> - SILVER<br><b>CF</b> - CUSTOM RAL COLOR | <b>NG</b> - NATURAL ALUMINUM<br><b>BG</b> - BLACK<br><b>WG</b> - WHITE | <b>WCN</b> - WHITE (STANDARD)<br><b>BCN</b> - BLACK<br><b>SCN</b> - SILVER |

| SUSPENSION TYPE   | SUSPENSION LENGTH   | OPTIONS  |
|---|---|--|
| <b>WC</b> - WHITE CABLE<br><b>BC</b> - BLACK CABLE<br><b>CC</b> - CLEAR CABLE<br><b>RSW</b> - WHITE RIGID STEM<br><b>RSB</b> - BLACK RIGID STEM<br><b>RSS</b> - SILVER RIGID STEM<br><b>RSC</b> - CUSTOM RAL STEM | <b>C60</b> - 60" CABLE<br><b>C120</b> - 120" CABLE<br><b>S48</b> - 48" STEM<br><b>S96</b> - 96" STEM<br><br>All suspension options are field cuttable | <b>HXB50</b> - BLACK HEXCELL LOUVER<br><b>LS50</b> - LINEAR SPREAD<br><b>SB50</b> - SANDBLASTED LENS<br><b>SF50</b> - SOFTENING LENS<br><br>Maximum 2 optical accessories. See optical accessories page for more options |

<sup>1</sup> Tunable White option available with D01, DALI and DMX drivers  
<sup>2</sup> 20D reflector available with 800 lumen output only  
<sup>3</sup> Phase dimming options available in 120V only  
<sup>4</sup> DALI-2 (Type 6) provided as standard. Please consult factory for DALI (Type 8) options

**3GD** - Warm Dim  
**3GT** - Tunable White

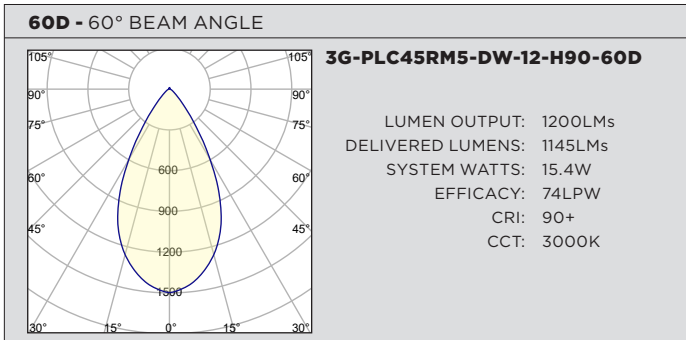
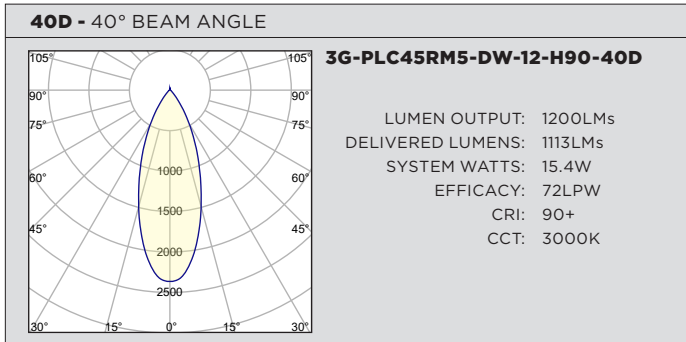
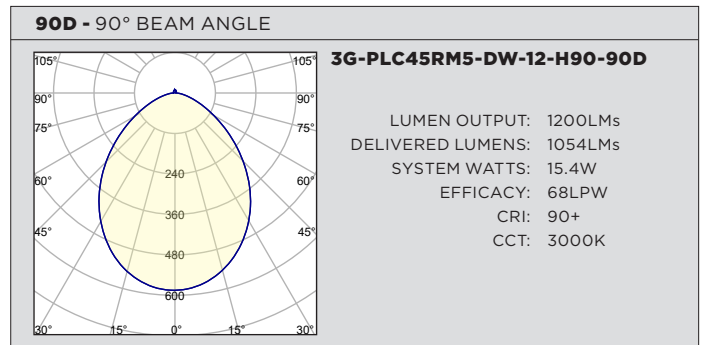
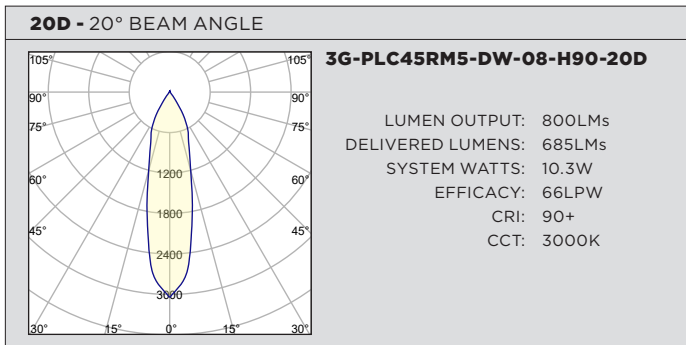
JANUARY 8 2021



### PERFORMANCE CHART BASED ON 60° BEAM AND 3000K SOURCE

| DIM TO WARM<br>LUMEN OUTPUT | 90+ CRI (3000K)     |                 |                   |
|-----------------------------|---------------------|-----------------|-------------------|
|                             | DELIVERED<br>LUMENS | SYSTEM<br>WATTS | EFFICACY<br>(LPW) |
| 800LMs                      | N/A                 | N/A             | N/A               |
| 1200LMs                     | 1145                | 15.4            | 74                |
| 2000LMs                     | 1611                | 23.2            | 69                |

### PHOTOMETRY

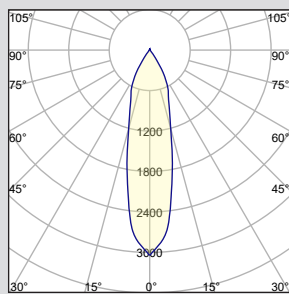


### PERFORMANCE CHART BASED ON 60° BEAM ANGLE

| TUNABLE WHITE<br>LUMEN OUTPUT | 90+ CRI (2700K)     |                 |                   | 90+ CRI (3500K)     |                 |                   | 90+ CRI (6500K)     |                 |                   |
|-------------------------------|---------------------|-----------------|-------------------|---------------------|-----------------|-------------------|---------------------|-----------------|-------------------|
|                               | DELIVERED<br>LUMENS | SYSTEM<br>WATTS | EFFICACY<br>(LPW) | DELIVERED<br>LUMENS | SYSTEM<br>WATTS | EFFICACY<br>(LPW) | DELIVERED<br>LUMENS | SYSTEM<br>WATTS | EFFICACY<br>(LPW) |
| <b>800LMs</b>                 | N/A                 | N/A             | N/A               | N/A                 | N/A             | N/A               | N/A                 | N/A             | N/A               |
| <b>1200LMs</b>                | 1076                | 16.6            | 65                | 1127                | 16.6            | 68                | 1266                | 16.6            | 76                |
| <b>2000LMs</b>                | 1523                | 24.5            | 62                | 1558                | 24.5            | 64                | 1824                | 24.5            | 74                |

### PHOTOMETRY

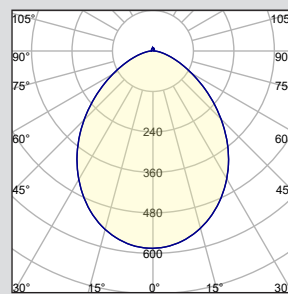
#### 20D - 20° BEAM ANGLE



#### 3G-PLC45RM5-TW-08-H90-20D

LUMEN OUTPUT: 800LMs  
 DELIVERED LUMENS: 715LMs  
 SYSTEM WATTS: 12.6W  
 EFFICACY: 57LPW  
 CRI: 90+  
 CCT: 3500K

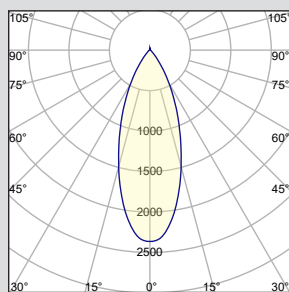
#### 90D - 90° BEAM ANGLE



#### 3G-PLC45RM5-TW-12-H90-90D

LUMEN OUTPUT: 1200LMs  
 DELIVERED LUMENS: 1037LMs  
 SYSTEM WATTS: 16.6W  
 EFFICACY: 62LPW  
 CRI: 90+  
 CCT: 3500K

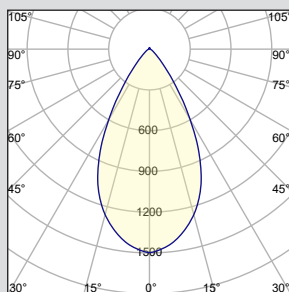
#### 40D - 40° BEAM ANGLE



#### 3G-PLC45RM5-TW-12-H90-40D

LUMEN OUTPUT: 1200LMs  
 DELIVERED LUMENS: 1121LMs  
 SYSTEM WATTS: 16.6W  
 EFFICACY: 68LPW  
 CRI: 90+  
 CCT: 3500K

#### 60D - 60° BEAM ANGLE



#### 3G-PLC45RM5-TW-12-H90-60D

LUMEN OUTPUT: 1200LMs  
 DELIVERED LUMENS: 1127LMs  
 SYSTEM WATTS: 24.5W  
 EFFICACY: 68LPW  
 CRI: 90+  
 CCT: 3500K

**TECHNICAL****HOUSING**

Extruded aluminum housing with powder coated finish  
Twist and lock construction with no visible hardware

**BEVELED INSERT**

4.5" machined aluminum trim insert feature 3G's Mini Madison double gimbal  
Solid aluminum 50mm double gimbal with dual axis adjustability (35°x35°)  
Each double gimbal can be locked in place

**OPTICS**

Regressed LED source for enhanced glare control  
Proprietary anodized, aluminum reflectors are field replaceable  
Available in 20°, 40°, 60° and 90°

**ELECTRICAL**

Standard 0-10V, constant current drivers with 100-1% dimming range and >0.9 power factor  
Standard 120/277V universal voltage drivers. Optional 347V, 0-10V drivers  
120V Forward Phase/Reverse Phase driver option with 100-1% dimming range  
eldoLED 0-10V driver option available with 100-0.01% dimming range  
eldoLED DALI and Lutron EcoSystem driver options available with 100-1% dimming range  
DMX driver option available with 100-0% dimming range  
All drivers are integral and easily accessible through fixture aperture

**LED SYSTEM**

Citizen LED module (field replaceable)  
Color consistency <2 SDCM  
Standard 90+ CRI  
Dim to Warm (1800K-3000K)  
Tunable White (2700K-6500K)  
L70 >50,000 hours  
5 Year Warranty

**MOUNTING**

1/2" diameter rigid stem option with sloped ceiling adapter (field cuttable)  
Adjustable aircraft cable option with power cable  
All hardware included for mounting to 4" octagonal junction box  
Canopy provided in white finish as standard

**LISTING**

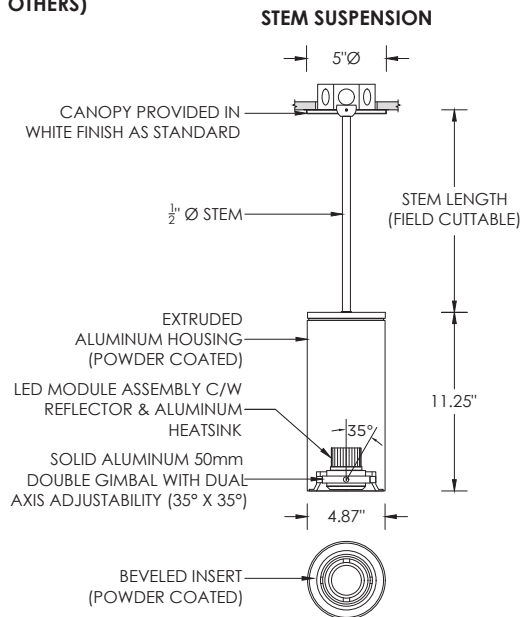
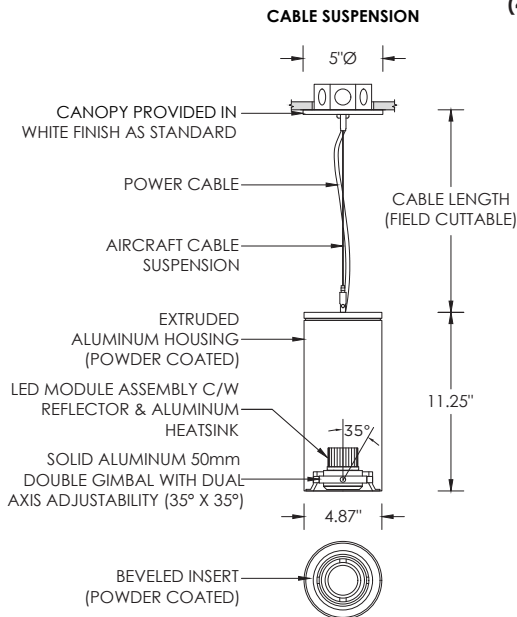
ETL listed and tested to cUL standards. Suitable for dry and damp locations

**WARRANTY**

5 Year Warranty on LED and drivers  
Manufacturer 1 Year Warranty for defects in material and workmanship under normal use  
Ambient temperature at fixture should not exceed 25°C

### DRAWINGS AND DIMENSIONS

#### RECESSED J-BOX (4" OCTAGONAL BY OTHERS)



#### SURFACE MOUNTED J-BOX (4" OCTAGONAL BY OTHERS)

