

3G LIGHTING

3G-PCL45RM5

4.5" DIAMETER ADJUSTABLE CYLINDER
PENDANT MOUNTED

- 4.5" diameter high performance adjustable cylinder
- Companion to 3G's Madison product family
- Machined aluminum double gimbal. Adjustable and lockable
- 1.95" Regressed LED source for enhanced glare control
- Extruded aluminum housing with powder coated finish
- Twist and lock construction and no visible hardware
- Regressed LED source for enhanced glare control
- Lumen range of 1000lm to 2200lm (80+, 90+, and 97+ CRI options)
- 1% dimming standard with several integral driver options



ORDERING INFORMATION

PROJECT:	<input type="text"/>	TYPE:	<input type="text"/>
CATALOG #:	<input type="text"/>	DATE:	<input type="text"/>

CAT. NO	LUMEN OUTPUT	CRI	COLOR TEMP	BEAM ANGLE	VOLTAGE
3G-PCL45RM5	10 - 1000 LUMENS	S80 - 80+ CRI	27K - 2700K	20D - 20°	UNV - 120/277V
	15 - 1500 LUMENS	H90 - 90+ CRI	30K - 3000K	40D - 40°	120 - 120V
	22 - 2200 LUMENS	H97 - 97+ CRI ¹	35K - 3500K	60D - 60°	347 - 347V (0-10V ONLY)
				90D - 90° *	

* 90D reflector supplied standard with lens

DRIVER	CYLINDER & INSERT FINISH	GIMBAL FINISH	CANOPY FINISH
DIM - 0-10V (STANDARD 100-1%)	WH - WHITE (STANDARD)	NG - NATURAL (STANDARD)	WCN - WHITE (STANDARD)
LE - PHASE DIMMING ² (TRIAC/ELV, 100-1%)	BK - BLACK	BG - BLACK	BCN - BLACK
LTEA - LUTRON HI-LUME LTEA ² (FWD PHASE, 100-1%)	SV - SILVER	WG - WHITE	SCN - SILVER
DO1 - 0-10V (eldoLED, 100-0.1%)	CF - CUSTOM RAL COLOR		
DALI - DALI (eldoLED, 100-1%) ³			
DHL2 - LUTRON HI-LUME LDE1 (1% ECOSYSTEM)			
DMX - DMX (eldoLED, 100-0%)			

SUSPENSION TYPE	SUSPENSION LENGTH	OPTIONS
WC - WHITE CABLE	C60 - 60" CABLE	HXB50 - BLACK HEXCELL LOUVER
BC - BLACK CABLE	C120 - 120" CABLE	LS50 - LINEAR SPREAD
CC - CLEAR CABLE	S48 - 48" STEM	SB50 - SANDBLASTED LENS
RSW - WHITE RIGID STEM	S96 - 96" STEM	SF50 - SOFTENING LENS
RSB - BLACK RIGID STEM		
RSS - SILVER RIGID STEM		
RSC - CUSTOM RAL STEM		

All suspension options are field cuttable

Maximum 2 optical accessories
See optical accessories page for more options

¹ 97+ CRI available in 30K and 35K as standard
² Phase dimming options available in 120V only
³ DALI-2 (Type 6) provided as standard. Please consult factory for DALI (Type 8) options

JANUARY 8 2021

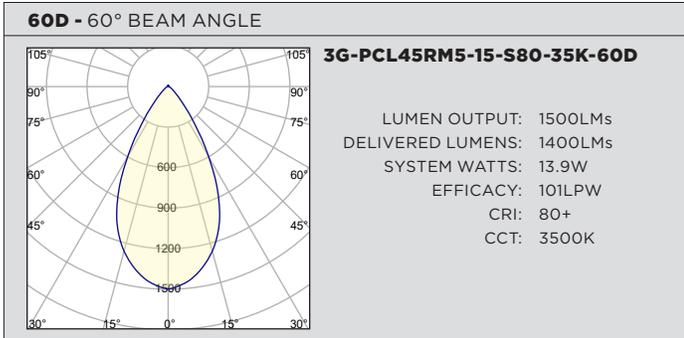
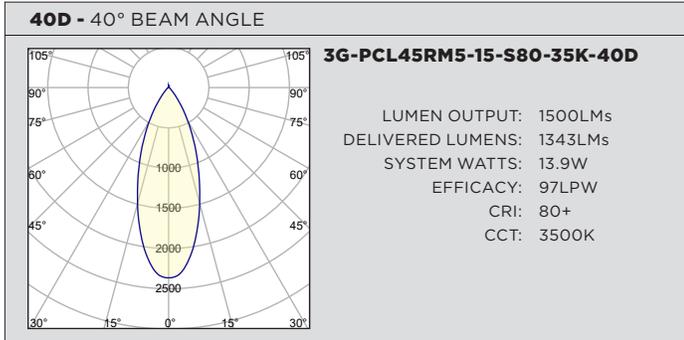
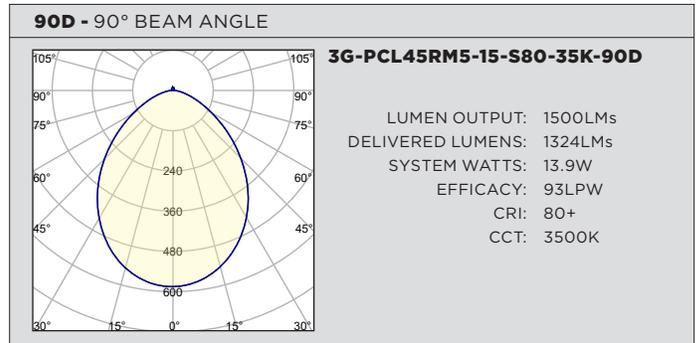
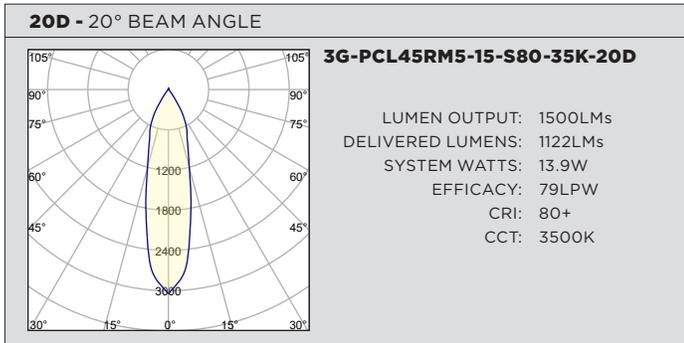


PERFORMANCE CHART BASED ON 60° BEAM AND 3000K SOURCE

LUMEN OUTPUT	80+ CRI			90+ CRI			97+ CRI		
	DELIVERED LUMENS	SYSTEM WATTS	EFFICACY (LPW)	DELIVERED LUMENS	SYSTEM WATTS	EFFICACY (LPW)	DELIVERED LUMENS	SYSTEM WATTS	EFFICACY (LPW)
1000LMs	1015	10.2	100	893	10.2	88	833	10.0	82
1500LMs	1400	13.9	101	1232	13.9	89	1148	13.9	83
2200LMs	2194	22.0	100	1931	22.0	88	1799	22.0	82

LUMEN OUTPUT ADJUSTMENT FACTORS	CCT	Multiplier
	2700K	0.94
	3000K	0.97
	3500K	1.00
	4000K	1.01

PHOTOMETRY



TECHNICAL**HOUSING**

Extruded aluminum housing with powder coated finish
Twist and lock construction with no visible hardware

BEVELED INSERT

4.5" machined aluminum trim insert feature 3G's Mini Madison double gimbal
Solid aluminum 50mm double gimbal with dual axis adjustability (35°x35°)
Each double gimbal can be locked in place

OPTICS

Regressed LED source for enhanced glare control
Proprietary anodized, aluminum reflectors are field replaceable (20° reflector not interchangeable)
Available in 20°, 40°, 60° and 90°

ELECTRICAL

Standard 0-10V, constant current drivers with 100-1% dimming range and >0.9 power factor
Standard 120/277V universal voltage drivers. Optional 347V, 0-10V drivers
120V Forward Phase/Reverse Phase driver option with 100-1% dimming range
eldoLED 0-10V driver option available with 100-0.01% dimming range
eldoLED DALI and Lutron EcoSystem driver options available with 100-1% dimming range
DMX driver option available with 100-0% dimming range
All drivers are integral and easily accessible through fixture aperture

LED SYSTEM

Citizen LED module (field replaceable)
Color consistency <2 SDCM
Standard (80+ CRI). Optional (90+ and 97+ CRI)
Available in 27K, 30K, 35K, and 40K
L90 >50,000 hours
5 Year Warranty

MOUNTING

1/2" diameter rigid stem option with sloped ceiling adapter (field cuttable)
Adjustable aircraft cable option with power cable
All hardware included for mounting to 4" octagonal junction box
Canopy provided in white finish as standard

LISTING

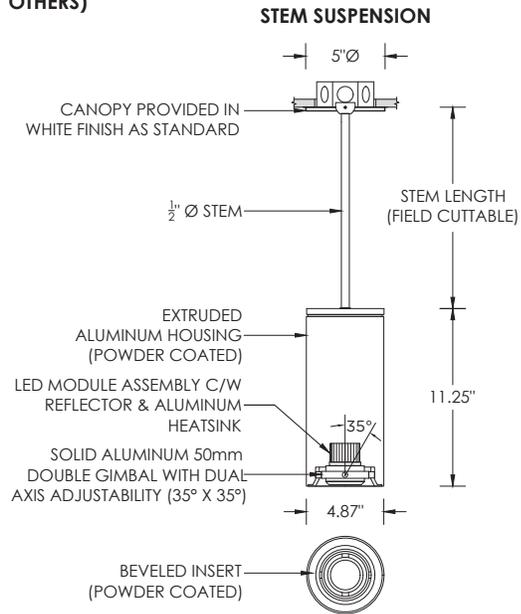
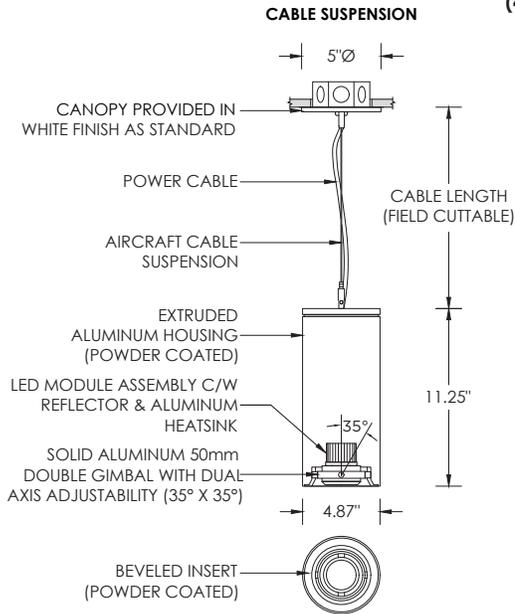
ETL listed and tested to UL standards. Suitable for dry and damp locations

WARRANTY

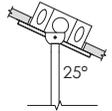
5 Year Warranty on LED and drivers
Manufacturer 1 Year Warranty for defects in material and workmanship under normal use
Ambient temperature at fixture should not exceed 25°C

DRAWINGS AND DIMENSIONS

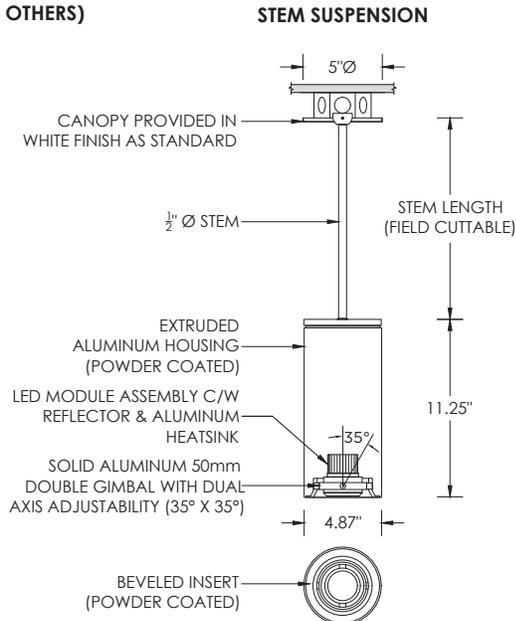
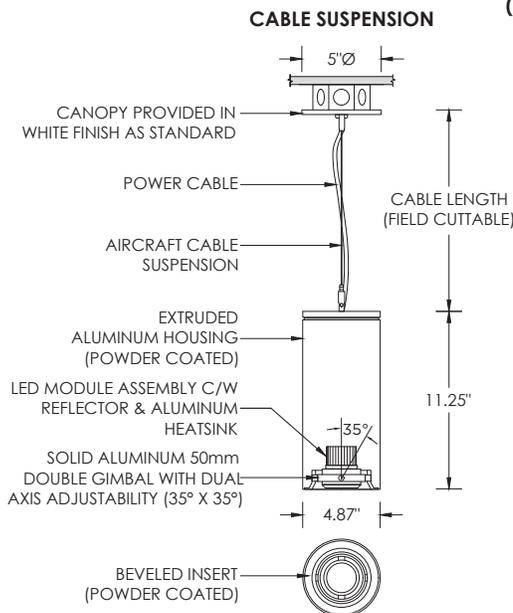
RECESSED J-BOX (4" OCTAGONAL BY OTHERS)



SUITABLE FOR SLOPED CEILING



SURFACE MOUNTED J-BOX (4" OCTAGONAL BY OTHERS)



SUITABLE FOR SLOPED CEILING

