

3G LIGHTING

3G-SCL45RSM5

4.5" DIAMETER SHORT ADJUSTABLE
CYLINDER SURFACE MOUNTED

4.5" diameter high performance adjustable, 7" cylinder

Companion to 3G's Madison product family

Machined aluminum double gimbal. Adjustable and lockable

1.95" Regressed LED source for enhanced glare control

Extruded aluminum housing with powder coated finish

Twist and lock construction and no visible hardware

Dim to Warm LED option up to 2000lm (90+ CRI)

1% dimming standard with several integral driver options



ORDERING INFORMATION

PROJECT:

TYPE:

CATALOG #:

DATE:

CAT. NO	LED SOURCE	LUMEN OUTPUT	CRI	BEAM ANGLE	VOLTAGE
3G-SCL45RSM5	DW - DIM TO WARM (1800-3000K)	08 - 800 LUMENS	H90 - 90+ CRI	20D - 20° ¹	UNV - 120/277V 120 - 120V
		12 - 1200 LUMENS		40D - 40°	
		20 - 2000 LUMENS		60D - 60°	
				90D - 90° *	
				* 90D reflector supplied standard with lens	

DRIVER	CYLINDER & INSERT FINISH	GIMBAL FINISH	OPTIONS
DIM - 0-10V (STANDARD 100-1%)	WH - WHITE (STANDARD)	NG - NATURAL ALUMINUM	HXB50 - BLACK HEXCELL LOUVER
LE - PHASE DIMMING ² (TRIAC/ELV, 100-1%)	BK - BLACK	BG - BLACK	LS50 - LINEAR SPREAD
	SV - SILVER	WG - WHITE	SB50 - SANDBLASTED LENS
	CF - CUSTOM RAL COLOR		SF50 - SOFTENING LENS
			Maximum 2 optical accessories. See optical accessories page for more options

¹ 20D reflector available with 800 lumen output only

² Forward Phase/Reverse Phase driver available in 120V only

3GD - Warm Dim

SEPTEMBER 18, 2020

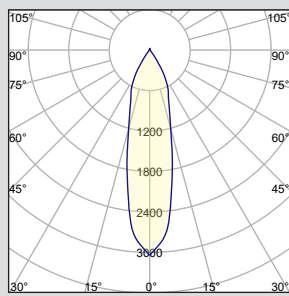


PERFORMANCE CHART BASED ON 60° BEAM AND 3000K SOURCE

DIM TO WARM LUMEN OUTPUT	90+ CRI (3000K)		
	DELIVERED LUMENS	SYSTEM WATTS	EFFICACY (LPW)
800LMs	N/A	N/A	N/A
1200LMs	1145	15.4	74
2000LMs	1611	23.2	69

PHOTOMETRY

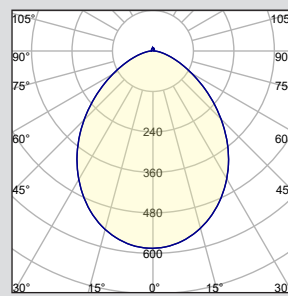
20D - 20° BEAM ANGLE



3G-SLC45RSM5-DW-08-H90-20D

LUMEN OUTPUT: 800LMs
 DELIVERED LUMENS: 685LMs
 SYSTEM WATTS: 10.3W
 EFFICACY: 66LPW
 CRI: 90+
 CCT: 3000K

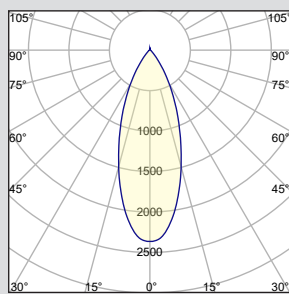
90D - 90° BEAM ANGLE



3G-SLC45RSM5-DW-12-H90-90D

LUMEN OUTPUT: 1200LMs
 DELIVERED LUMENS: 1054LMs
 SYSTEM WATTS: 15.4W
 EFFICACY: 68LPW
 CRI: 90+
 CCT: 3000K

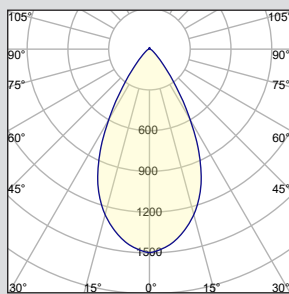
40D - 40° BEAM ANGLE



3G-SLC45RSM5-DW-12-H90-40D

LUMEN OUTPUT: 1200LMs
 DELIVERED LUMENS: 1113LMs
 SYSTEM WATTS: 15.4W
 EFFICACY: 72LPW
 CRI: 90+
 CCT: 3000K

60D - 60° BEAM ANGLE



3G-SLC45RSM5-DW-12-H90-60D

LUMEN OUTPUT: 1200LMs
 DELIVERED LUMENS: 1145LMs
 SYSTEM WATTS: 15.4W
 EFFICACY: 74LPW
 CRI: 90+
 CCT: 3000K

TECHNICAL**HOUSING**

Extruded aluminum housing with powder coated finish
Twist and lock construction with no visible hardware

BEVELED INSERT

4.5" machined aluminum trim insert feature 3G's Mini Madison double gimbal
Solid aluminum 50mm double gimbal with dual axis adjustability (35°x35°)
Each double gimbal can be locked in place

OPTICS

Regressed LED source for enhanced glare control
Proprietary anodized, aluminum reflectors are field replaceable
Available in 20°, 40°, 60° and 90°

ELECTRICAL

Standard 0-10V, constant current drivers with 100-1% dimming range and >0.9 power factor
Standard 120/277V universal voltage drivers
120V Forward Phase/Reverse Phase driver option with 100-1% dimming range
All drivers are integral and easily accessible through fixture aperture

LED SYSTEM

Citizen LED module (field replaceable)
Color consistency <2 SDCM
Standard 90+ CRI
Dim to Warm (1800K-3000K)
L70 >50,000 hours
5 Year Warranty

MOUNTING

All hardware included for mounting to 4" octagonal junction box
Twist and lock mechanism

LISTING

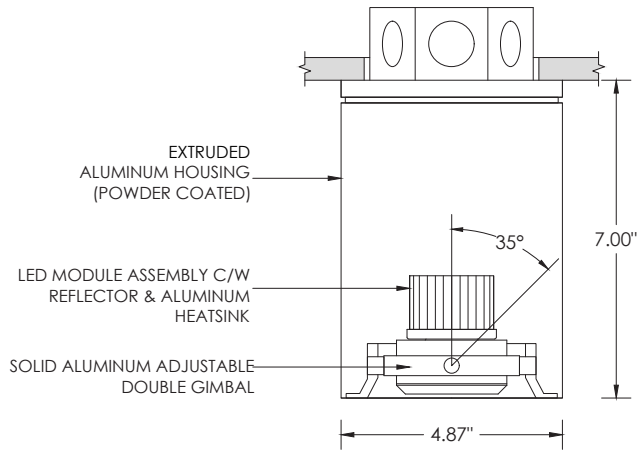
ETL listed and tested to cUL standards. Suitable for dry and damp locations

WARRANTY

5 Year Warranty on LED and drivers
Manufacturer 1 Year Warranty for defects in material and workmanship under normal use
Ambient temperature at fixture should not exceed 25°C

DRAWINGS AND DIMENSIONS

**RECESSED J-BOX
(4" OCTAGONAL BY OTHERS)**



**SURFACE MOUNTED J-BOX
(4" OCTAGONAL BY OTHERS)**

