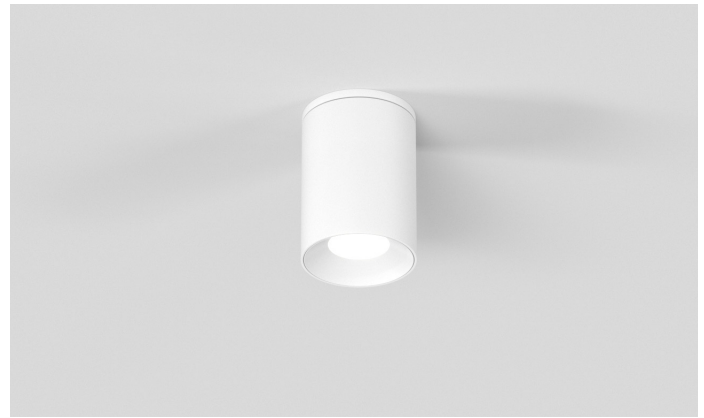




3G-SCL45RS

4.5" DIAMETER SHORT CYLINDER
SURFACE MOUNTED
DYNAMIC WHITE



4.5" diameter high performance, 7" cylinder
Companion to 3G-DL45R series downlight family
Extruded aluminum housing with powder coated finish
Twist and lock construction and no visible hardware
Regressed LED source for enhanced glare control
Dim to Warm LED options up to 2000lm (90+ CRI)
1% dimming standard with several integral driver options

ORDERING INFORMATION

PROJECT:	<input type="text"/>	TYPE:	<input type="text"/>
CATALOG #:	<input type="text"/>	DATE:	<input type="text"/>

CAT. NO	LED SOURCE	LUMEN OUTPUT	CRI	BEAM ANGLE	VOLTAGE
3G-SCL45RS	DW - DIM TO WARM (1800-3000K)	08 - 800 LUMENS 12 - 1200 LUMENS 20 - 2000 LUMENS	H90 - 90+ CRI	10D - 10° ¹ 20D - 20° 40D - 40° 60D - 60° 90D - 90° *	UNV - 120/277V 120 - 120V

* 90D reflector supplied standard with lens

DRIVER	CYLINDER & INSERT FINISH	OPTIONS
DIM - 0-10V (STANDARD 100-1%) LE - PHASE DIMMING ² (TRIAC/ELV, 100-1%)	WH - WHITE (STANDARD) BK - BLACK SV - SILVER CF - CUSTOM RAL COLOR	HXB70 - BLACK HEXCELL LOUVER LS70 - LINEAR SPREAD SB70 - SANDBLASTED LENS SF70 - SOFTENING LENS

Maximum 1 optical accessory

¹ 10D reflector available with 800lm lumen output only
² Forward Phase/Reverse Phase driver available in 120V only

3GD - Warm Dim

SEPTEMBER 21, 2020





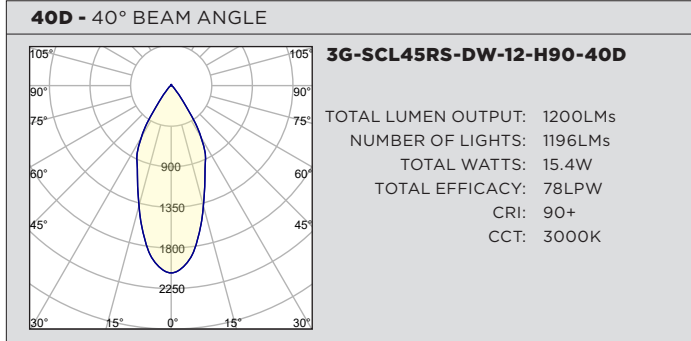
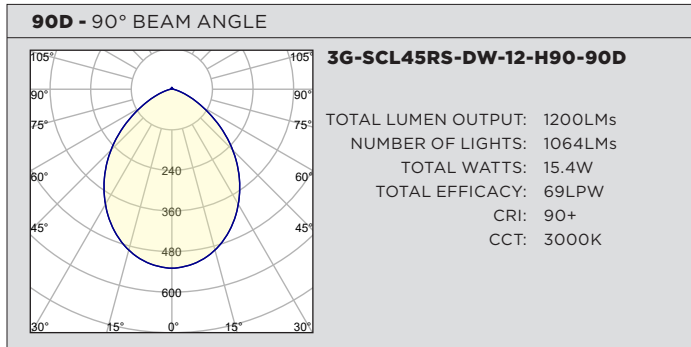
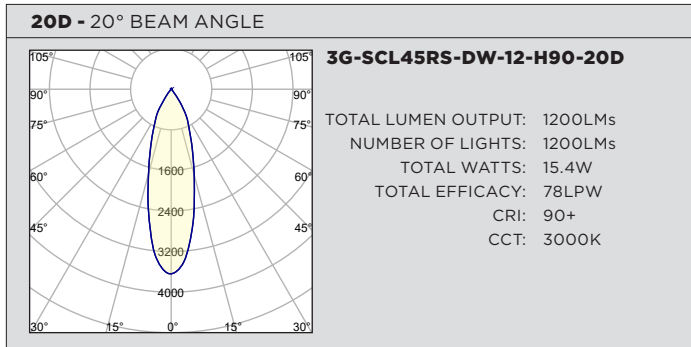
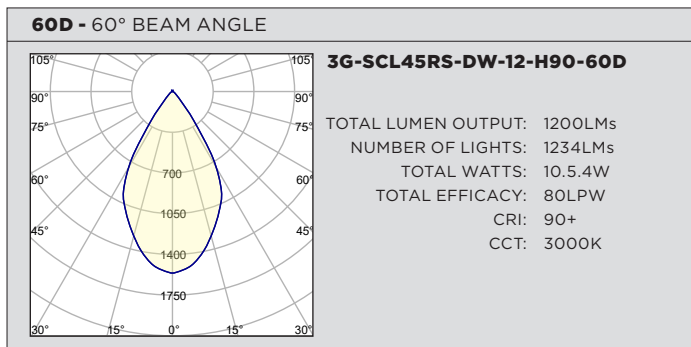
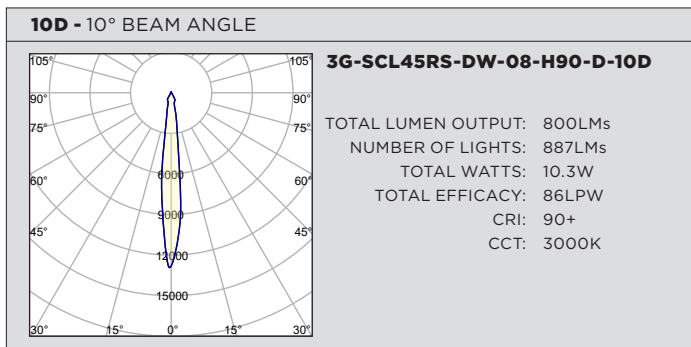
3G-SCL45RS

LIGHTING 4.5" DIAMETER SHORT CYLINDER SURFACE MOUNTED DYNAMIC WHITE

PERFORMANCE CHART BASED ON 20° BEAM AND 3000K SOURCE

DIM TO WARM LUMEN OUTPUT	90+ CRI (3000K)		
	DELIVERED LUMENS	SYSTEM WATTS	EFFICACY (LPW)
800LMs	N/A	N/A	N/A
1200LMs	1200	15.4	78
2000LMs	1689	23.2	73

PHOTOMETRY





3G-SCL45RS

4.5" DIAMETER SHORT CYLINDER SURFACE MOUNTED DYNAMIC WHITE

TECHNICAL

HOUSING

Extruded aluminum housing with powder coated finish
Twist and lock construction with no visible hardware

BEVELED INSERT

4.5" aperture with regressed LED source for enhanced glare control
Machined aluminum beveled insert with powder coated finish

OPTICS

Proprietary anodized, aluminum reflectors are field replaceable (10° reflector not interchangeable)
Available in 10°, 20°, 40°, 60° and 90°

ELECTRICAL

Standard 0-10V, constant current drivers with 100-1% dimming range and >0.9 power factor
Standard 120/277V universal voltage drivers
120V Forward Phase/Reverse Phase driver option with 100-1% dimming range
All drivers are integral and easily accessible through cylinder housing

LED SYSTEM

Citizen LED module (field replaceable)
Color consistency <2 SDCM
Standard 90+ CRI
Dim to Warm (1800K-3000K)
L70 >50,000 hours
5 Year Warranty

MOUNTING

All hardware included for mounting to 4" octagonal junction box
Twist and lock mechanism

LISTING

ETL listed and tested to cUL standards. Suitable for dry and damp locations

WARRANTY

5 Year Warranty on LED and drivers
Manufacturer 1 Year Warranty for defects in material and workmanship under normal use
Ambient temperature at fixture should not exceed 25°C

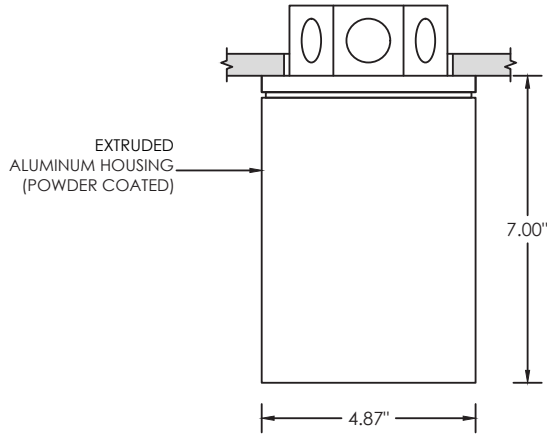


3G-SCL45RS

LIGHTING 4.5" DIAMETER SHORT CYLINDER SURFACE MOUNTED DYNAMIC WHITE

DRAWINGS AND DIMENSIONS

**RECESSED J-BOX
(4" OCTAGONAL BY OTHERS)**



**SURFACE MOUNTED J-BOX
(4" OCTAGONAL BY OTHERS)**

