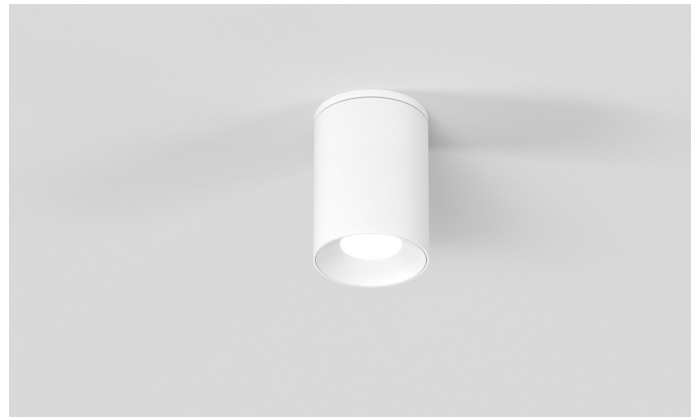


3G LIGHTING

3G-SCL45RS

4.5" DIAMETER SHORT CYLINDER
SURFACE MOUNTED



4.5" diameter high performance, 7" cylinder
Companion to 3G-DL45R series downlight family
Extruded aluminum housing with powder coated finish
Twist and lock construction and no visible hardware
Regressed LED source for enhanced glare control
Lumen range up to 2200lm (80+, 90+, and 97+ CRI options)
1% dimming standard with several integral driver options

ORDERING INFORMATION

PROJECT:	<input type="text"/>	TYPE:	<input type="text"/>
CATALOG #:	<input type="text"/>	DATE:	<input type="text"/>

CAT. NO	LUMEN OUTPUT	CRI	COLOR TEMP	BEAM ANGLE	VOLTAGE
3G-SCL45RS	10 - 1000 LUMENS	S80 - 80+ CRI	27K - 2700K	10D - 10°	UNV - 120/277V 120 - 120V
	15 - 1500 LUMENS	H90 - 90+ CRI	30K - 3000K	20D - 20°	
	22 - 2200 LUMENS	H97 - 97+ CRI ¹	35K - 3500K	40D - 40°	
			40K - 4000K	60D - 60° 90D - 90° *	

* 90D reflector supplied standard with lens

DRIVER	CYLINDER & INSERT FINISH	OPTIONS
DIM - 0-10V (STANDARD 100-1%) LE - PHASE DIMMING ² (TRIAC/ELV, 100-1%)	WH - WHITE (STANDARD) BK - BLACK SV - SILVER CF - CUSTOM RAL COLOR	HXB70 - BLACK HEXCELL LOUVER LS70 - LINEAR SPREAD SB70 - SANDBLASTED LENS SF70 - SOFTENING LENS

Maximum 1 optical accessory

¹ 97+ CRI available in 30K and 35K as standard

² Forward Phase/Reverse Phase driver available in 120V only

SEPTEMBER 15, 2020





3G-SCL45RS

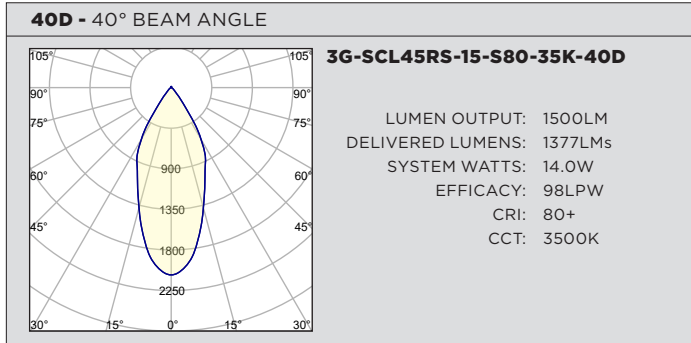
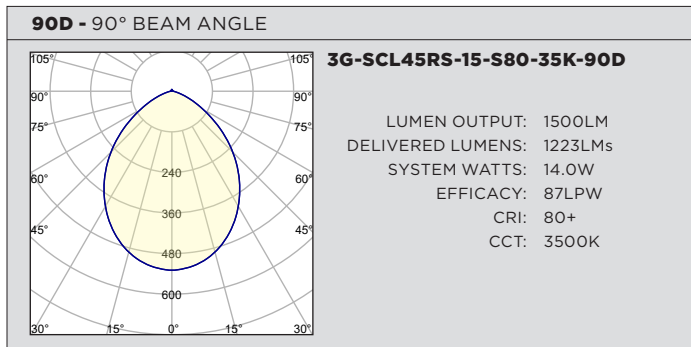
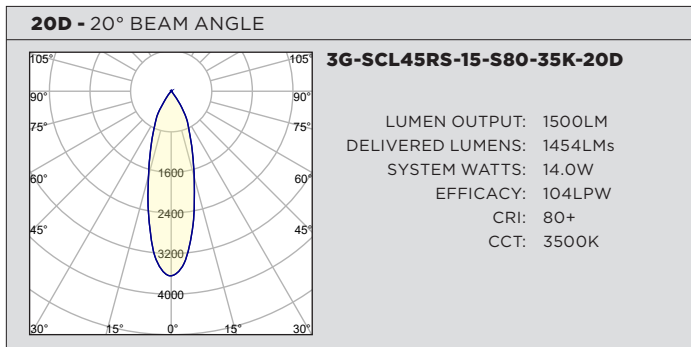
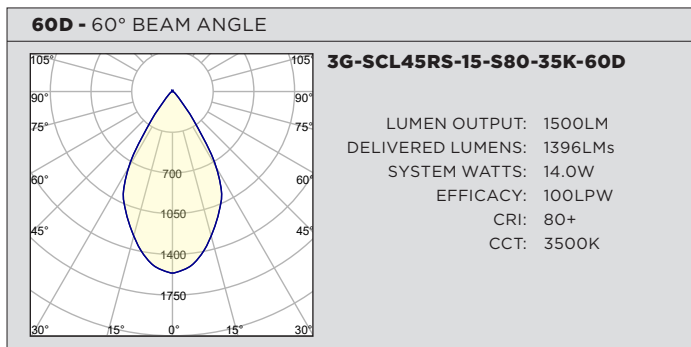
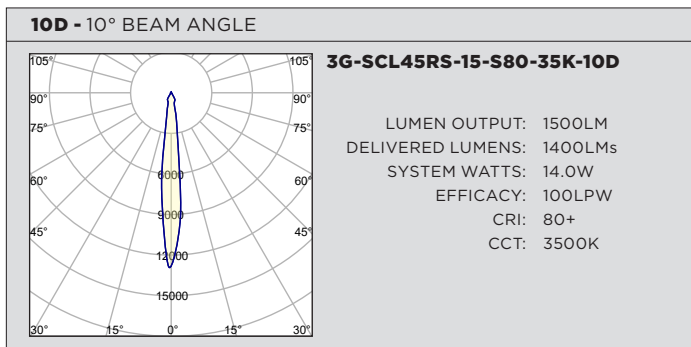
LIGHTING 4.5" DIAMETER SHORT CYLINDER SURFACE MOUNTED

PERFORMANCE CHART BASED ON 20° BEAM ANGLE AND 3500K SOURCE WITH SOFTENING LENS

LUMEN OUTPUT	80+ CRI			90+ CRI			97+ CRI		
	DELIVERED LUMENS	SYSTEM WATTS	EFFICACY (LPW)	DELIVERED LUMENS	SYSTEM WATTS	EFFICACY (LPW)	DELIVERED LUMENS	SYSTEM WATTS	EFFICACY (LPW)
1000LMs	1080	10.3	105	950	10.3	92	886	10.3	86
1500LMs	1454	14.0	104	1279	14.0	91	1192	14	85
2200LMs	2156	22.0	98	1898	22.0	86	1768	22	80

LUMEN OUTPUT ADJUSTMENT FACTORS	CCT	Multiplier
	2700K	0.945
	3000K	0.985
	3500K	1.00
	4000K	1.01

PHOTOMETRY





3G-SCL45RS

LIGHTING 4.5" DIAMETER SHORT CYLINDER SURFACE MOUNTED

TECHNICAL

HOUSING

Extruded aluminum housing with powder coated finish
Twist and lock construction with no visible hardware

BEVELED INSERT

4.5" aperture with regressed LED source for enhanced glare control
Machined aluminum beveled insert with powder coated finish

OPTICS

Proprietary anodized, aluminum reflectors are field replaceable (10° reflector not interchangeable)
Available in 10°, 20°, 40°, 60° and 90°

ELECTRICAL

Standard 0-10V, constant current drivers with 100-1% dimming range and >0.9 power factor
Standard 120/277V universal voltage drivers
120V Forward Phase/Reverse Phase driver option with 100-1% dimming range
All drivers are integral and easily accessible through cylinder housing

LED SYSTEM

Citizen LED module (field replaceable)
Color consistency <2 SDCM
Standard (80+ CRI). Optional (90+ and 97+ CRI)
Available in 27K, 30K, 35K, and 40K
L90 >50,000 hours
5 Year Warranty

MOUNTING

All hardware included for mounting to 4" octagonal junction box
Twist and lock mechanism

LISTING

ETL listed and tested to cUL standards. Suitable for dry and damp locations

WARRANTY

5 Year Warranty on LED and drivers
Manufacturer 1 Year Warranty for defects in material and workmanship under normal use
Ambient temperature at fixture should not exceed 25°C

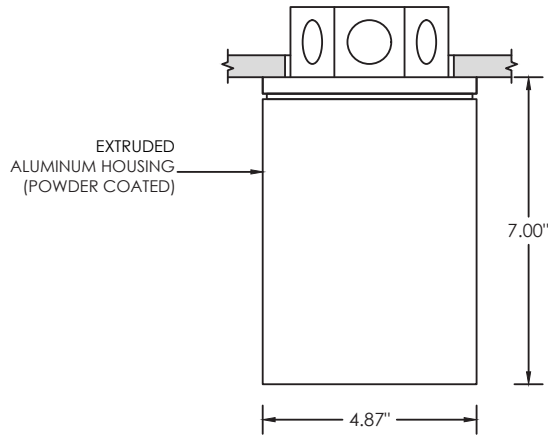


3G-SCL45RS

LIGHTING 4.5" DIAMETER SHORT CYLINDER SURFACE MOUNTED

DRAWINGS AND DIMENSIONS

**RECESSED J-BOX
(4" OCTAGONAL BY OTHERS)**



**SURFACE MOUNTED J-BOX
(4" OCTAGONAL BY OTHERS)**

