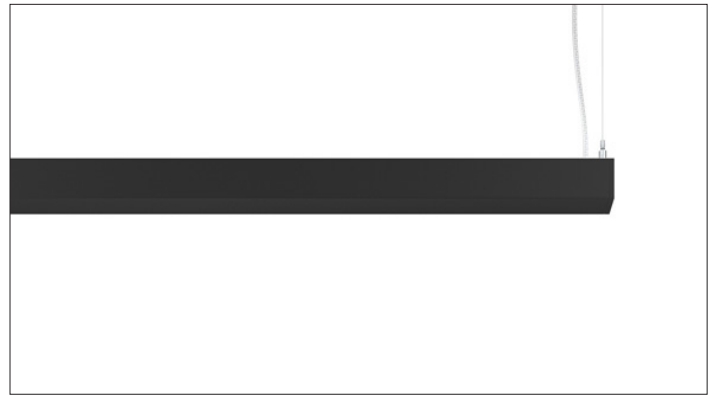




3G-1PLI-I

1.5" LINEAR PENDANT
INDIRECT ONLY
TUNABLE WHITE & RGBW

Narrow 1.5" aperture with one piece extruded aluminum housing
Individual or continuous runs available in multiple run configurations
Indirect distribution with multiple lumen output options
LED system with performance up to 145 lumens per watt
Extruded acrylic lens with optimal performance and glare control
Widespread and Asymmetric optics available
1% dimming standard with several driver options



ORDERING INFORMATION

PROJECT:	<input type="text"/>	TYPE:	<input type="text"/>
CATALOG #:	<input type="text"/>	DATE:	<input type="text"/>

CAT. NO	LED SOURCE	LUMEN OUTPUT	CRI	VOLTAGE
3G-1PLI-I	TW - TUNABLE WHITE (2700K-6500K) RGBW - INFINITE COLOUR ¹ (3500K WHITE)	L250 - LOW OUTPUT (250 LM/FT) ² L500 - MEDIUM OUTPUT (500 LM/FT) L750 - HIGH OUTPUT (750 LM/FT) L1000 - VERY HIGH OUTPUT (1000 LM/FT) ³ LC___ - CUSTOM OUTPUT (SPECIFY LM/FT)*	S80 - 83+ CRI H90 - 93+ CRI ¹	UNV - 120/277V
<small>*Specify custom lumen outputs in 50lm increments (ie: LC600, LC650, LC700) Custom output cannot exceed LC1000</small>				

DRIVER	LENS OPTION	FINISH	CABLE LENGTH
DO1 - 0-10V (100-0.1%) DALI - DALI (eidoLED, 100-1%) ³ DHLT - LUTRON SERIES (100-0.1%) (2 CHANNEL TUNABLE WHITE) DMX - DMX (100-1%)	FL - FLUSH LENS WSO - WIDESPREAD OPTIC ¹ ASY - ASYMMETRIC OPTIC ^{1,3}	WH - WHITE (STANDARD) SV - SILVER BK - BLACK	60" - 60" (STANDARD) 120" - 120"
<small>All mounting canopies provided in white as standard</small>			

OPTIONS	LENGTH (FEET)
EMB - INTEGRAL EMERGENCY ⁴ BATTERY (4' SECTION ONLY) EMC - EMERGENCY CIRCUIT ⁴	S - ___' (STRAIGHT RUN) [*] L - ___'X ___' (L-SHAPE) U - ___'X ___' X ___' (U-SHAPE) R - ___'X ___' (RECTANGLE/SQUARE)
<small>*Individual units available in 2', 3', 4', 5', 6', and 8'. Continuous runs available in 1' increments as standard</small>	

¹ RGBW LED source available with S80 (83+CRI) and DMX driver option only. Not available with asymmetric optic or EM options
² L250 (250LM/FT) not available in 2' and 3' lengths. Specify LC400 for 2' and 3' fixture lengths when outputs lower than 500LM/FT are required
³ L1000 (1000LM/FT) not available for H90 (93+ CRI) or indirect asymmetric option
⁴ EMB (emergency battery) and EMC (emergency circuit) options available for tunable white LED source only. Not available with RGBW

3GT - Tunable White
3GB - RGBW

NOVEMBER 24, 2020

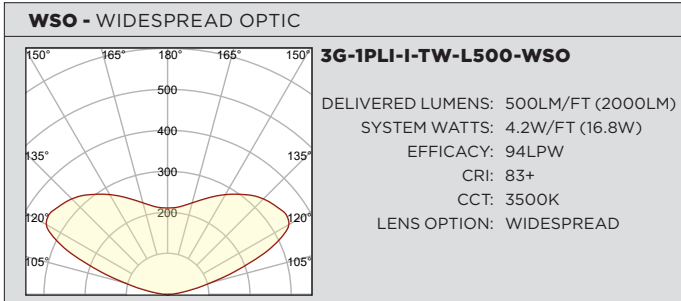
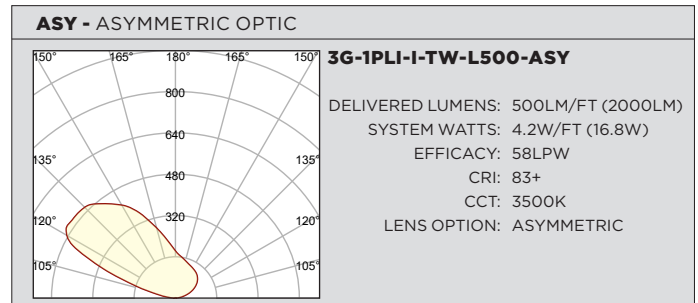
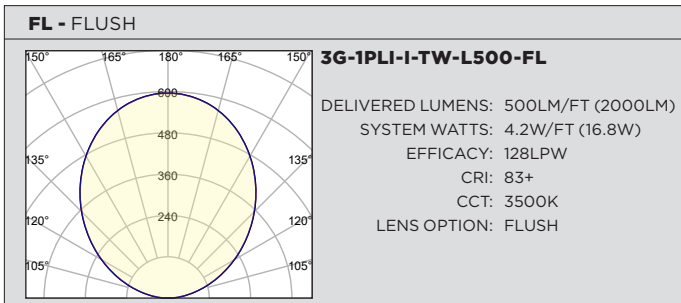


PERFORMANCE CHART BASED ON 4' LENGTH WITH FLUSH LENS (TUNABLE WHITE AND 83+ CRI)

FLUSH	DELIVERED LUMENS (LM/FT)	SYSTEM WATTS (W/FT)	EFFICACY (LPW)
2700K	250	1.9	120
	500	4.2	116
	750	6.1	115
	1000	8.6	114
3500K	250	1.9	129
	500	4.2	128
	750	6.1	123
	1000	8.6	118
6500K	250	1.9	145
	500	4.2	144
	750	6.1	141
	1000	8.6	132

EFFICACY (LPW) ADJUSTMENT FACTOR	CRI	Multiplier
	93+	0.88

PHOTOMETRY BASED ON 4' LENGTH (83+ CRI AND 3500K SOURCE)

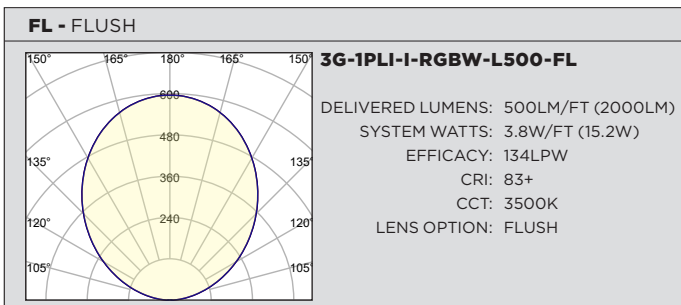


PERFORMANCE CHART BASED ON 4' LENGTH (RGBW WITH 83+ CRI AND 3500K SOURCE)

FLUSH	DELIVERED LUMENS (LM/FT)	SYSTEM WATTS (W/FT)	EFFICACY (LPW)
3500K	250	1.8	136
	500	3.8	134
	750	6.2	121
	1000	9.1	110

LUMINOUS INTENSITY PER LED	RGB	INTENSITY Min - Max (mcd)
	RED	355 - 805
	GREEN	710 - 1400
	BLUE	140 - 355

PHOTOMETRY BASED ON 4' LENGTH (83+ CRI AND 3500K SOURCE)



TECHNICAL**HOUSING**

Extruded aluminum housing with narrow 1.5" aperture
Machined aluminum end caps add 1/4" to each end of luminaire
Individual units and continuous runs available in 1' increments
24-gauge LED reflector with high reflectance white powder coated finish
Standard polyester powder coated matte white finish. Optional finishes available

OPTICS

Extruded, satin acrylic lens designed for optimal performance and glare control
High performance widespread and asymmetric optics available
Widespread Optic peak intensity at 120° with optimal mounting distance of 12" to 30" from ceiling

ELECTRICAL

Luminaires are pre-wired with factory installed quick connects and branch circuit wiring
Standard 0-10V, constant current drivers with 100-1% dimming range and >0.9 power factor
Standard 120/277V universal voltage drivers. Optional 347V, 0-10V drivers
Lutron EcoSystem and eldoLED DALI options available with 100-1% dimming range
All drivers are integral and easily accessible through luminaire aperture

LED SYSTEM FOR TUNABLE WHITE (TW)

Proprietary LED system with color consistency <3 SDCM
2700K-6500K CCT range
Standard 83+CRI. Optional 93+CRI. (R9 value of 56 for 93+CRI)
L90 >60,000 hours
5 Year Warranty

LED SYSTEM FOR RGBW

Proprietary LED system with color consistency <3 SDCM
White LED available in 35K with 83+ CRI
L80 >72,000 hours
Red (335-805 mcd)
Green (710-1400 mcd)
Blue (140-355 mcd)
5 Year Warranty

MOUNTING

Toolless installation with 3G's proprietary mounting system
Internal, toolless joiner system (latch and hook) easily connects multiple sections together
Adjustable aircraft cable suspension with locking fasteners (60" length standard)
Standard, 18-gauge, 5 conductor single circuit power feed (clear braided finish)
All mounting canopies provided in white finish as standard
Suitable for various architectural ceilings (see mounting details)
Fixture weight: +/- 2 lbs/ft

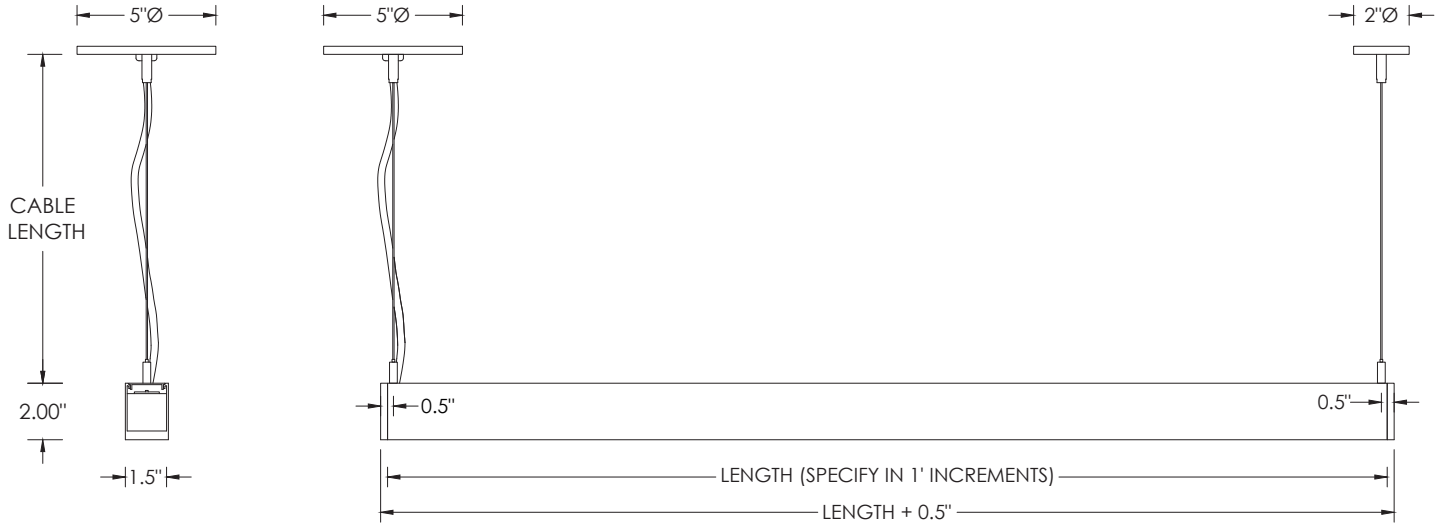
LISTING

ETL listed and tested to cUL standards. Suitable for dry and damp locations

WARRANTY

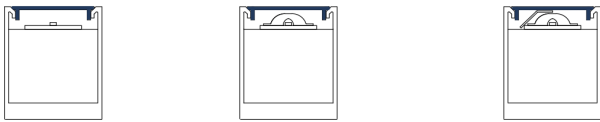
5 Year Warranty on LED and drivers
Manufacturer 1 Year Warranty for defects in material and workmanship under normal use
Ambient temperature at fixture should not exceed 25°C

DRAWINGS AND DIMENSIONS



LENS OPTION

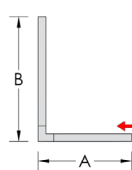
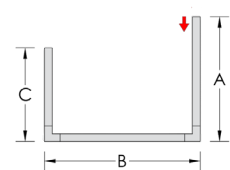
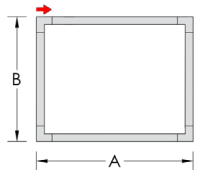
FL - FLUSH **WSO - WIDESPREAD** **ASY - ASYMMETRIC**



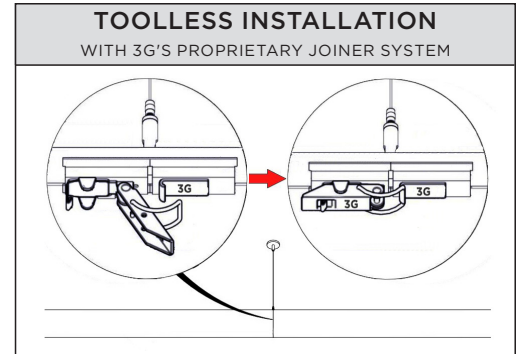
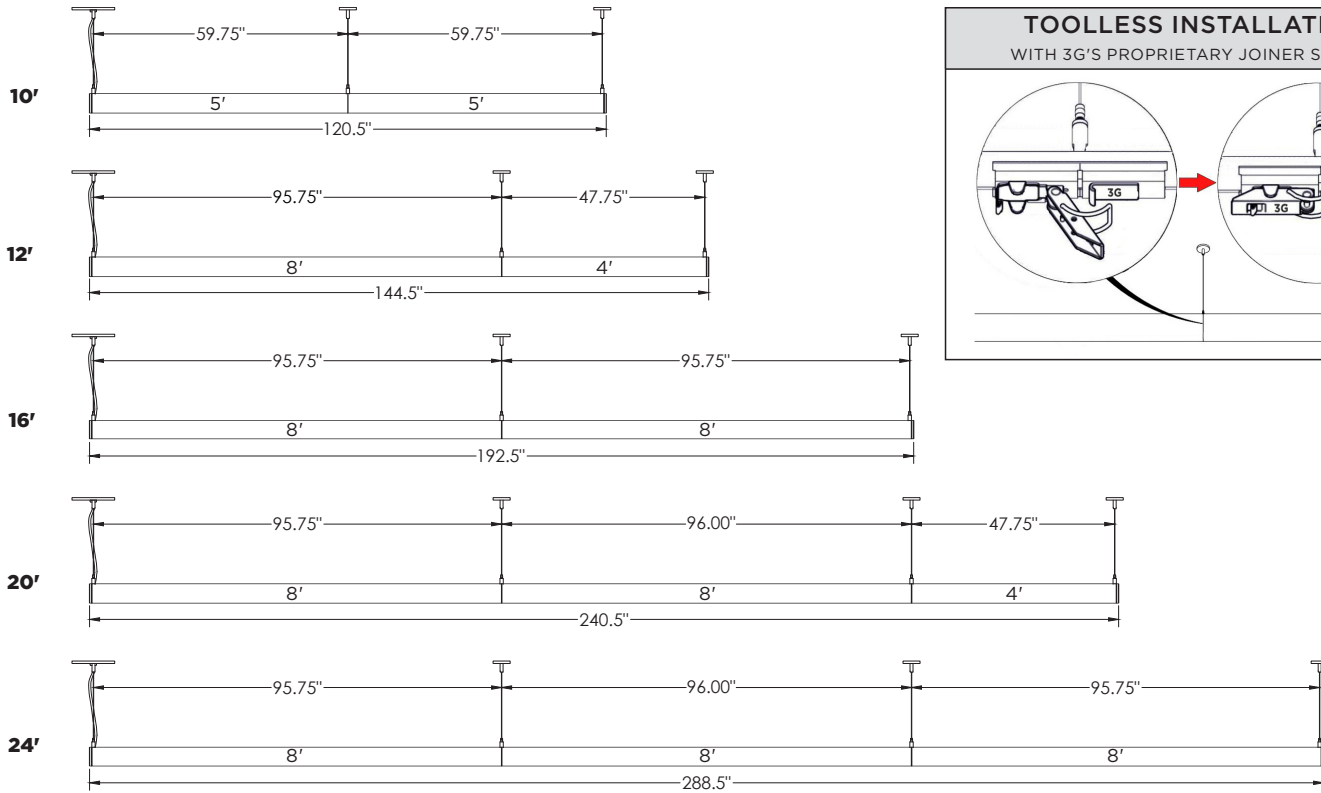
PATTERNS

Specify pattern shape and overall dimensions as shown below
 Patterns are connected with 12"x12" L-shaped sections
 Please consult factory for custom patterns not shown below



L-SHAPE	U-SHAPE	RECTANGLE/SQUARE
Provide dimensions of AxB Example: L - 6'x8'	Provide dimensions of AxBxC Example: U - 8'x10'x6'	Provide dimensions of AxB Example: R - 10'x8'
		

TYPICAL SECTION MOUNTING (AVAILABLE IN 1' INCREMENTS AS STANDARD)



MOUNTING DETAILS

