

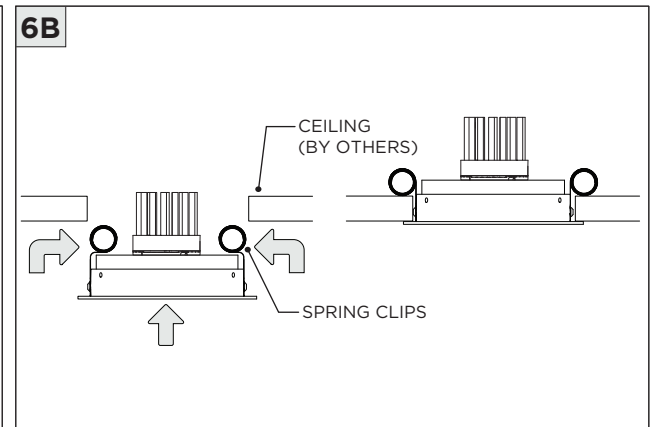
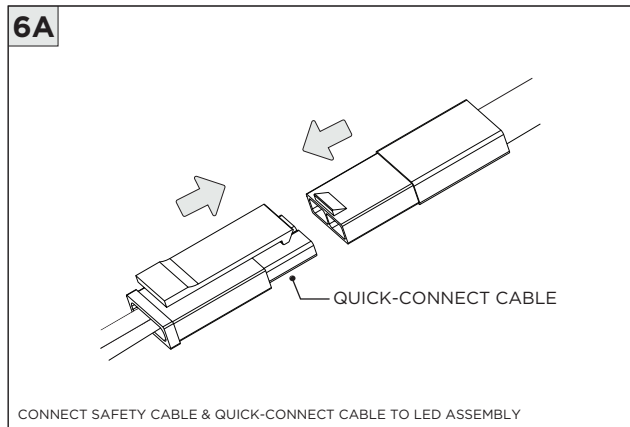
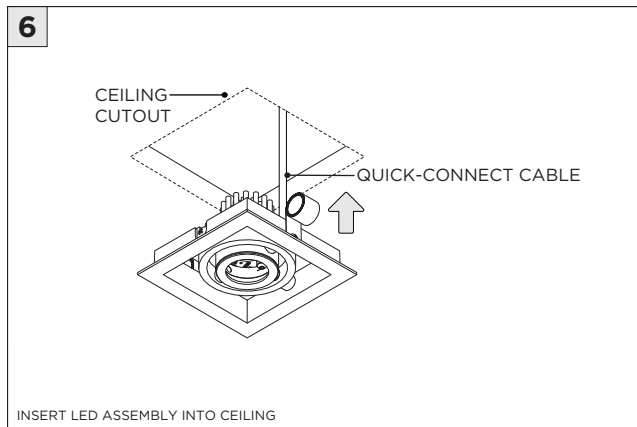
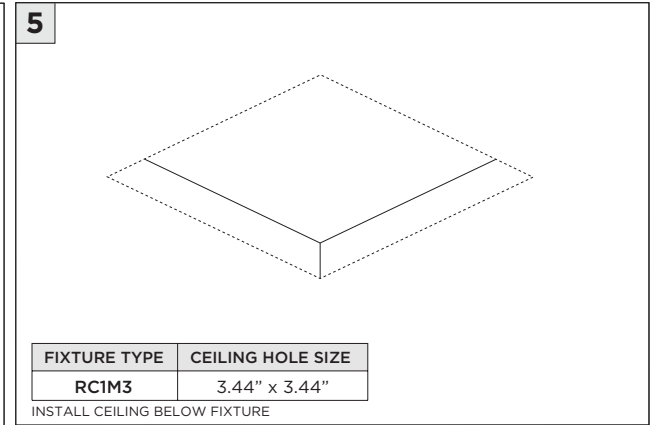
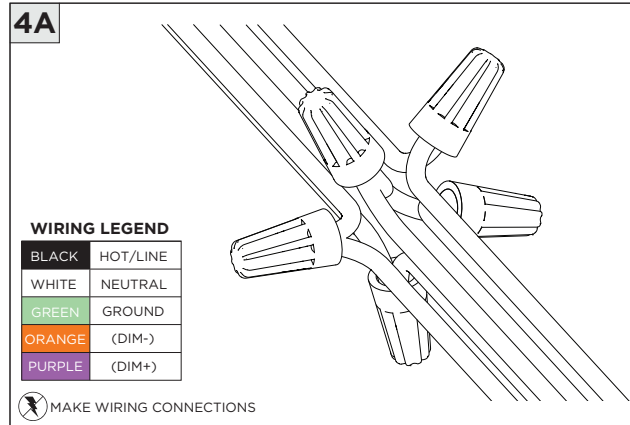
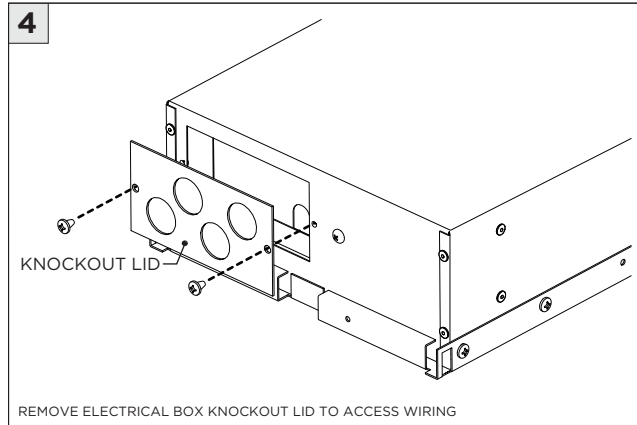
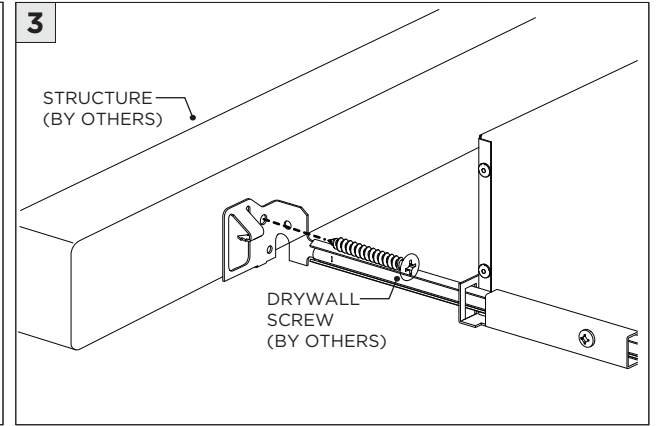
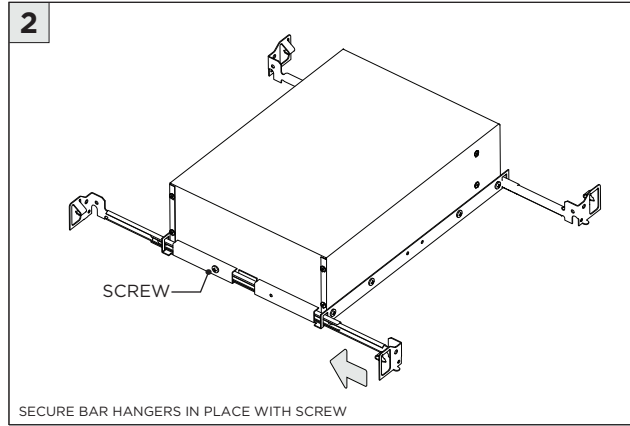
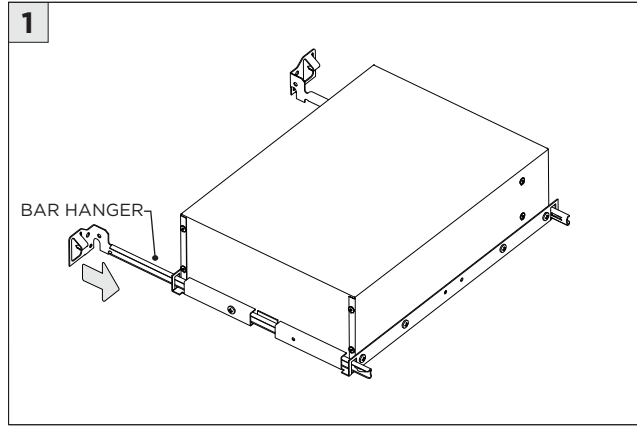


i THE IMAGES SHOWN ARE FOR ILLUSTRATION PURPOSES ONLY AND MAY NOT BE AN EXACT REPRESENTATION OF THE PRODUCT

| INCLUDED COMPONENTS | |
|--|--|
| <p>SH - SHALLOW HOUSING (FOR NEW CONSTRUCTION ONLY)</p> <p>LED INSERT SHALLOW HOUSING BAR HANGERS</p> | |
| | |

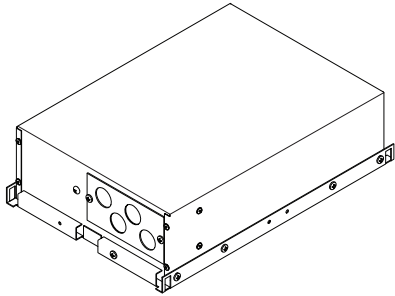
| INSTRUCTION KEY | INFORMATION |
|-----------------|--|
| | ADDITIONAL INSTALLATION SHOULD ONLY BE PERFORMED BY A CERTIFIED ELECTRICIAN |
| | ATTENTION REFER TO LOCAL/NATIONAL CODES FOR PROPER INSTALLATION FAILURE TO FOLLOW INSTALLATION INSTRUCTION MAY VOID THE WARRANTY |
| | POWER ON DO NOT TOUCH LEDS. LEDS MUST BE PROTECTED FROM MECHANICAL STRESS OR DEBRIS |
| | POWER OFF TURN OFF POWER DURING INSTALLATION OR SERVICING |

SH - SHALLOW HOUSING (FOR NEW CONSTRUCTION ONLY)



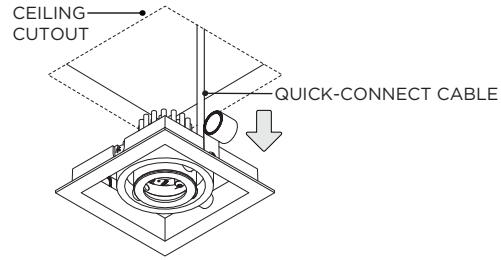
DRIVER SERVICING

1 SH - SHALLOW HOUSING



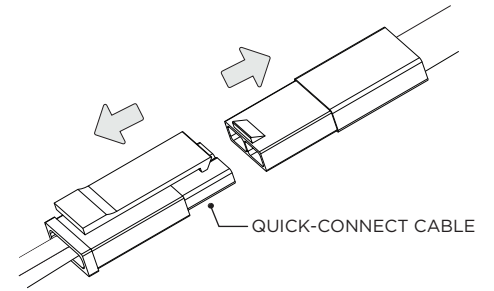
 DISCONNECT POWER BEFORE SERVICING

2



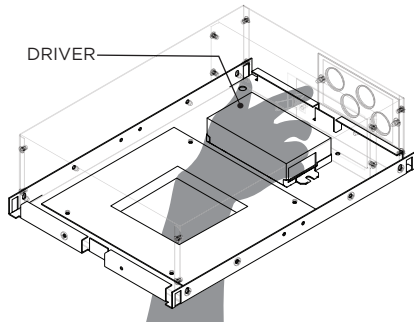
REMOVE LED ASSEMBLY FROM CEILING

2A



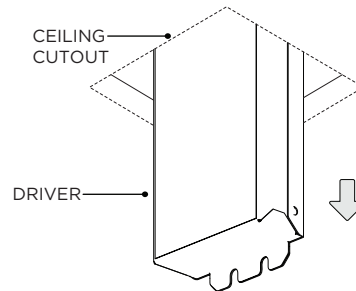
DISCONNECT QUICK-CONNECT CABLE FROM LED ASSEMBLY

3

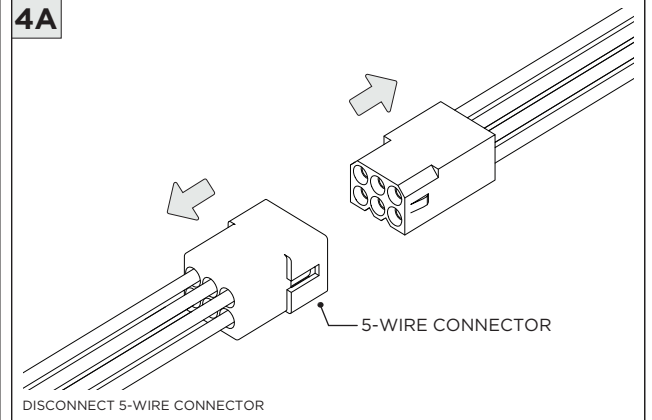


REMOVE DRIVER - SECURED WITH HOOK-AND-LOOP FASTENER

4



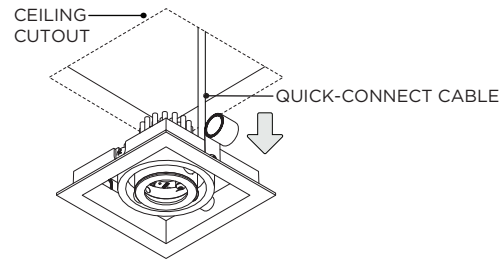
4A



DISCONNECT 5-WIRE CONNECTOR

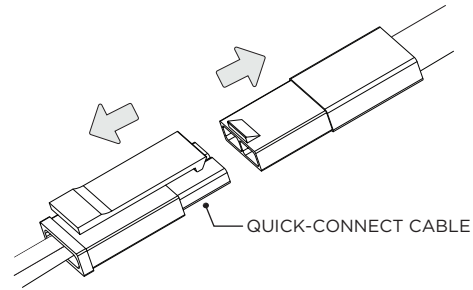
LED SERVICING

1



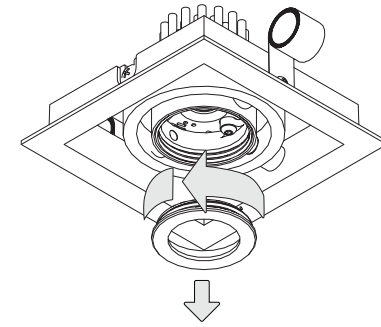
REMOVE LED ASSEMBLY FROM CEILING

1A



DISCONNECT QUICK-CONNECT CABLE FROM LED ASSEMBLY

2



3

