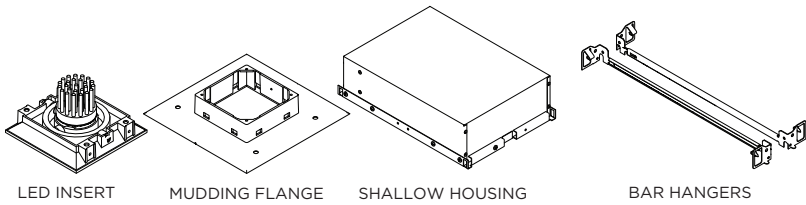




**INCLUDED COMPONENTS**

**SH - SHALLOW HOUSING (FOR NEW CONSTRUCTION ONLY)**



LED INSERT





MUDDING FLANGE

SHALLOW HOUSING

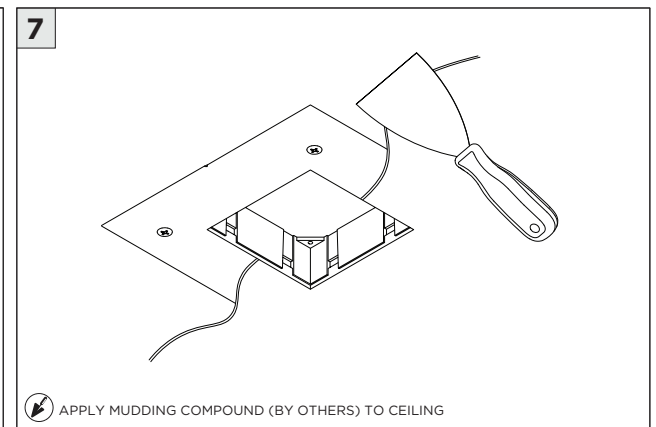
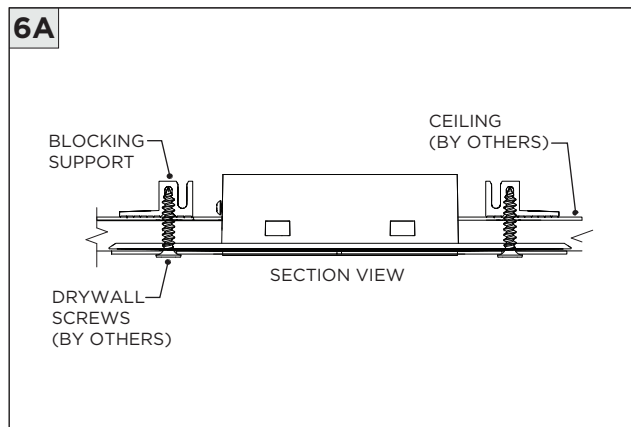
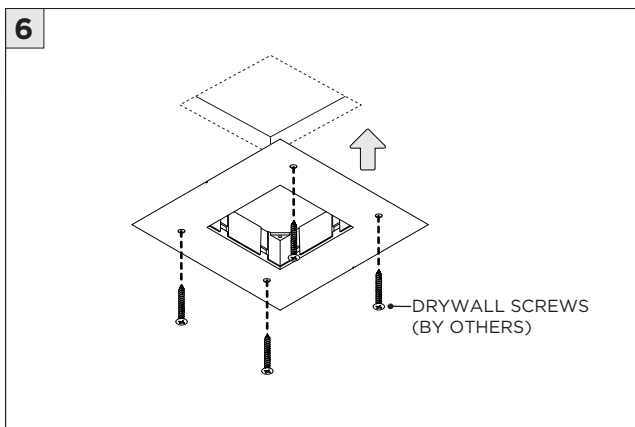
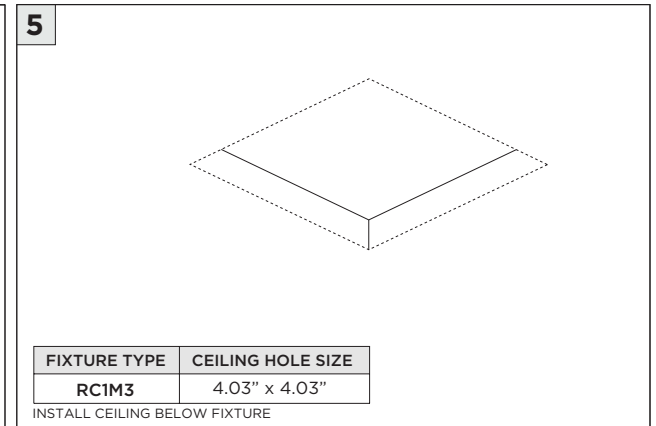
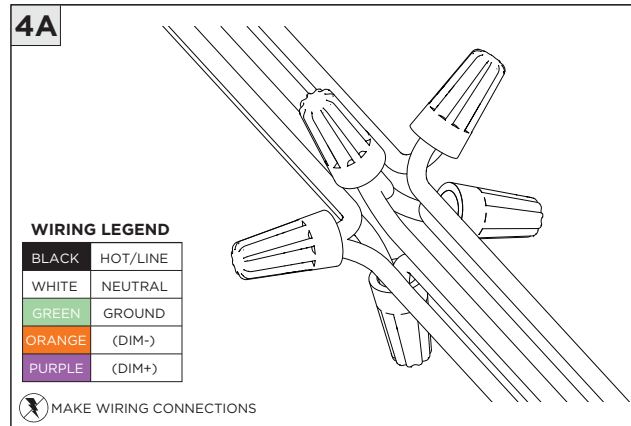
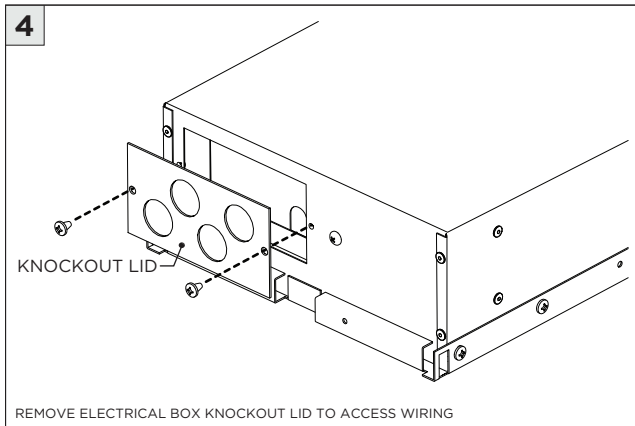
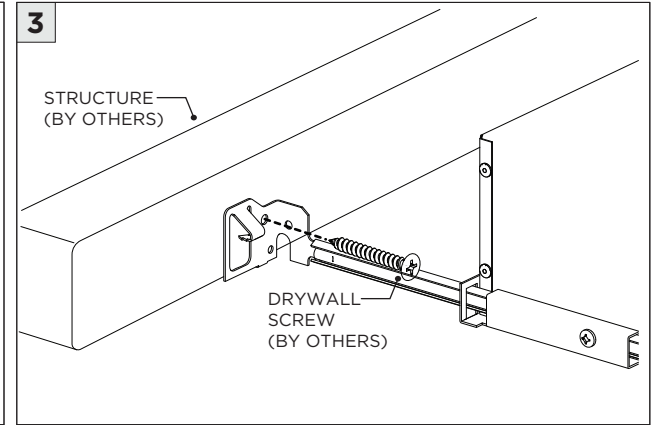
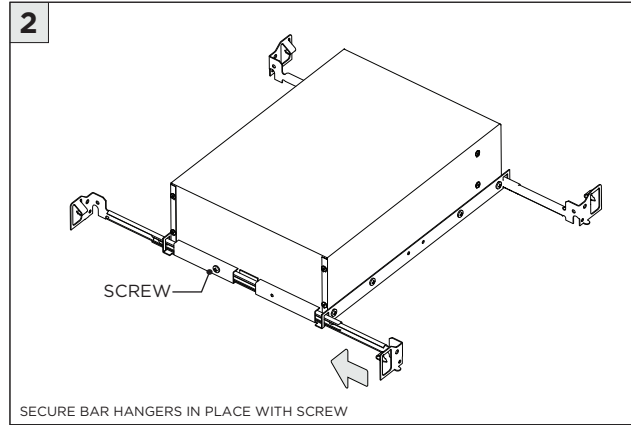
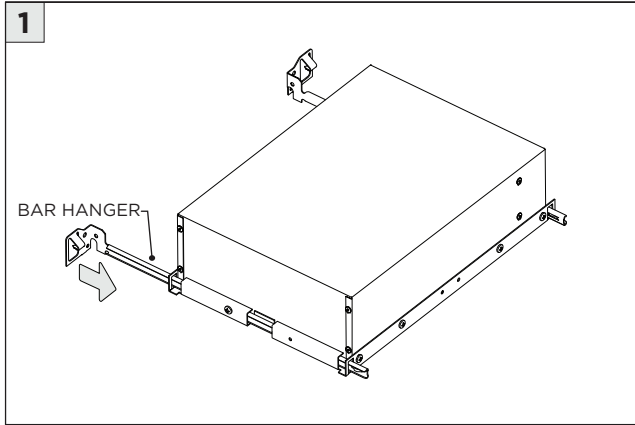
BAR HANGERS

**INSTRUCTION KEY**

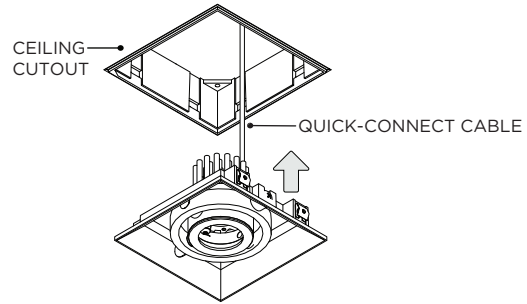
**INFORMATION**

-  ADDITIONAL INSTALLATION SHOULD ONLY BE PERFORMED BY A CERTIFIED ELECTRICIAN
  -  ATTENTION REFER TO LOCAL/NATIONAL CODES FOR PROPER INSTALLATION
  -  POWER ON FAILURE TO FOLLOW INSTALLATION INSTRUCTION MAY VOID THE WARRANTY
  -  POWER OFF DO NOT TOUCH LEDS. LEDS MUST BE PROTECTED FROM MECHANICAL STRESS OR DEBRIS
- TURN OFF POWER DURING INSTALLATION OR SERVICING

**SH - SHALLOW HOUSING (FOR NEW CONSTRUCTION ONLY)**

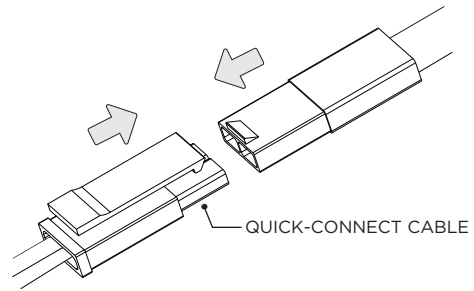


**8**



INSERT LED ASSEMBLY INTO CEILING

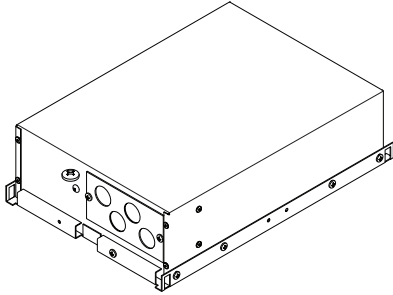
**8A**



CONNECT QUICK-CONNECT CABLE TO LED ASSEMBLY

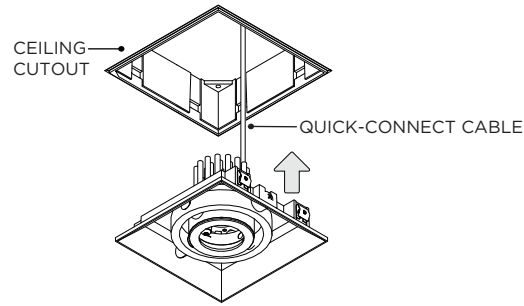
**DRIVER SERVICING**

**1 SH - SHALLOW HOUSING**



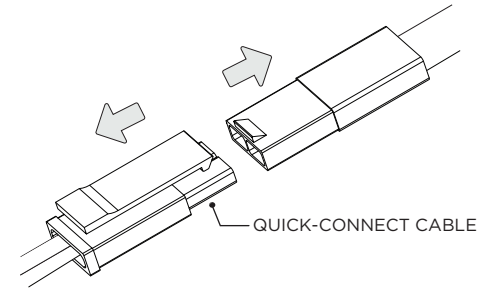
⊗ DISCONNECT POWER BEFORE SERVICING

**2**



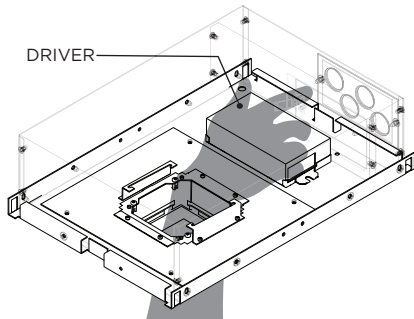
REMOVE LED ASSEMBLY FROM CEILING

**2A**



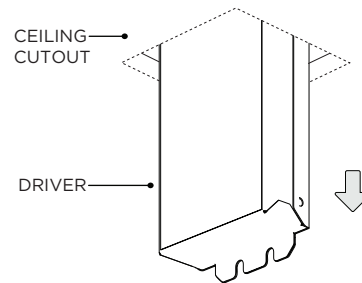
DISCONNECT QUICK-CONNECT CABLE FROM LED ASSEMBLY

**3**

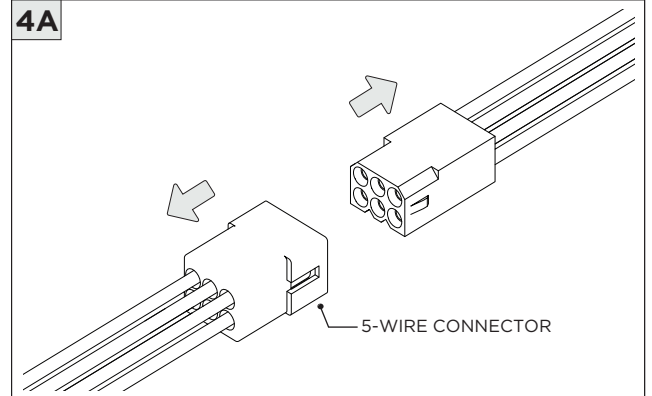


REMOVE DRIVER - SECURED WITH HOOK-AND-LOOP FASTENER

**4**



**4A**



DISCONNECT 5-WIRE CONNECTOR

**LED SERVICING**

