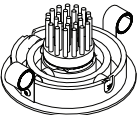
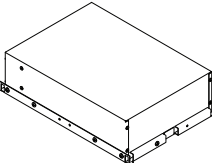
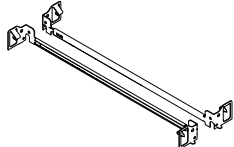






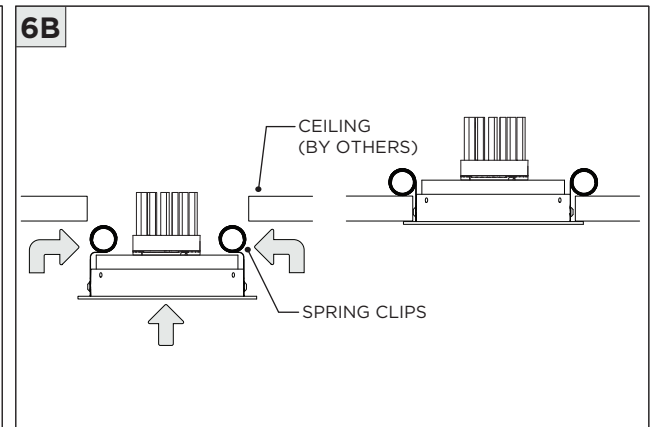
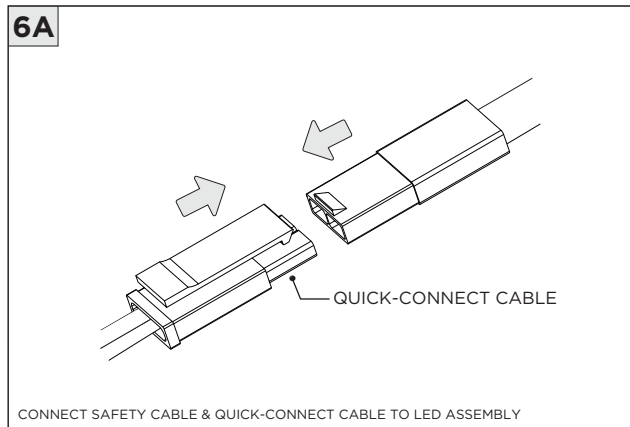
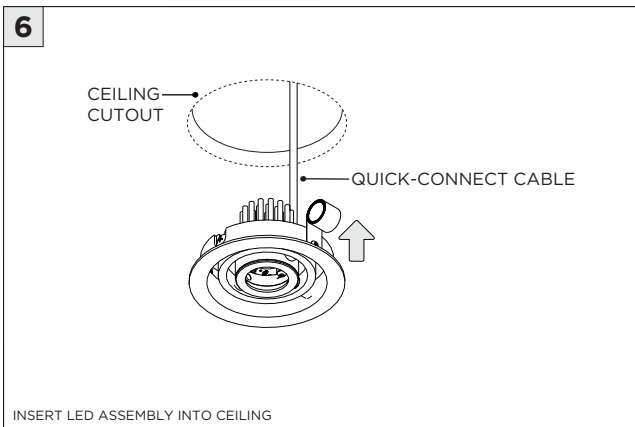
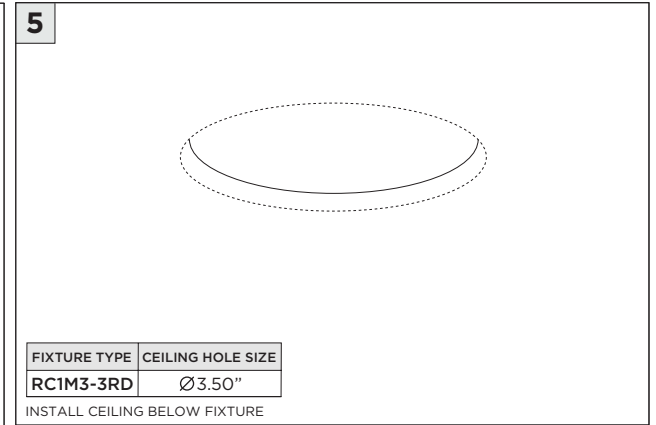
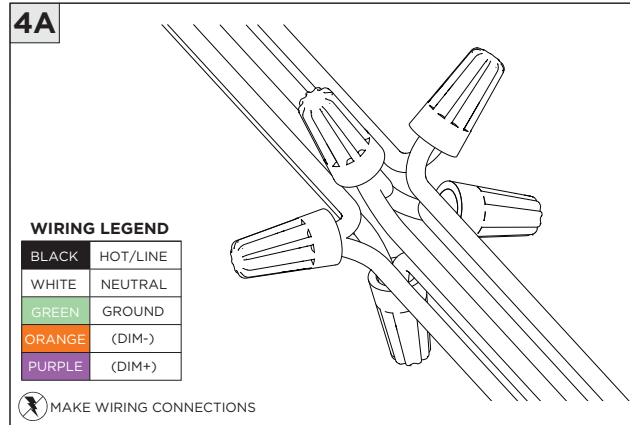
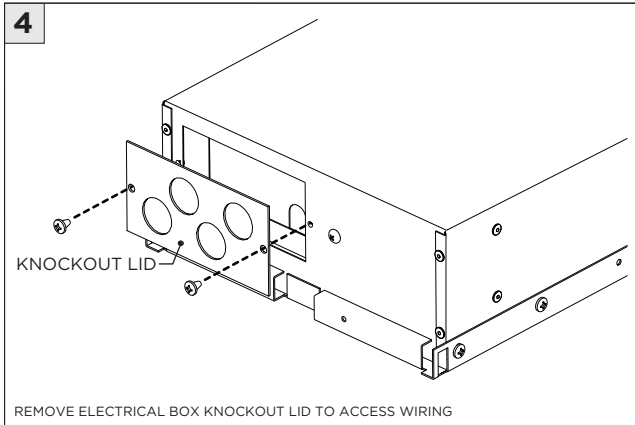
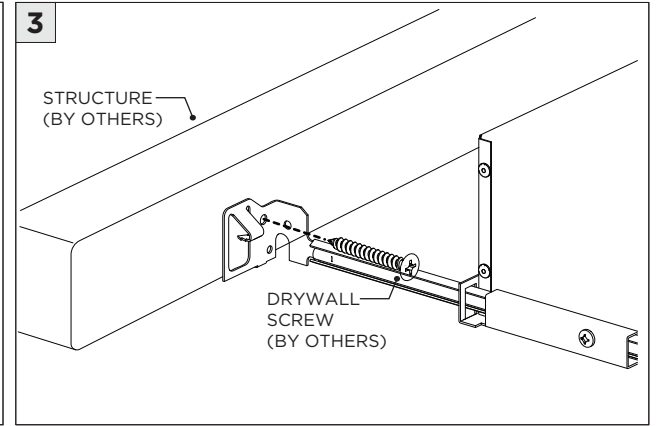
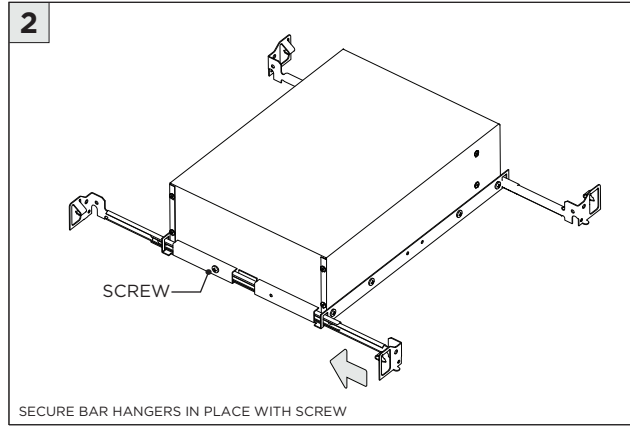
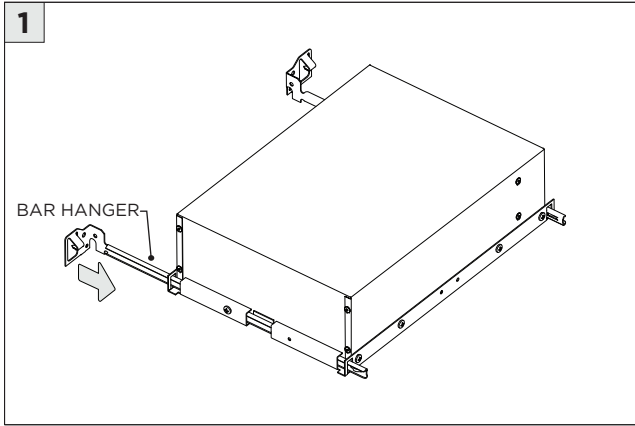


**i** THE IMAGES SHOWN ARE FOR ILLUSTRATION PURPOSES ONLY AND MAY NOT BE AN EXACT REPRESENTATION OF THE PRODUCT

INCLUDED COMPONENTS	
<p><b>SH - SHALLOW HOUSING (FOR NEW CONSTRUCTION ONLY)</b></p> <div style="display: flex; justify-content: space-around; align-items: center;"> <div style="text-align: center;">  LED INSERT         </div> <div style="text-align: center;">  SHALLOW HOUSING         </div> <div style="text-align: center;">  BAR HANGERS         </div> </div>	

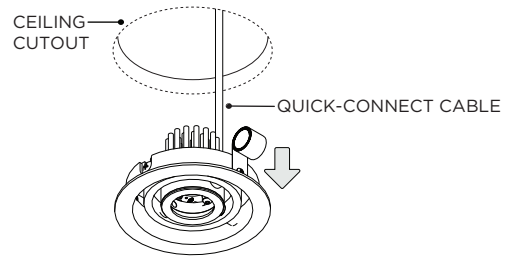
INSTRUCTION KEY	INFORMATION
 ADDITIONAL	INSTALLATION SHOULD ONLY BE PERFORMED BY A CERTIFIED ELECTRICIAN
 ATTENTION	REFER TO LOCAL/NATIONAL CODES FOR PROPER INSTALLATION
 POWER ON	FAILURE TO FOLLOW INSTALLATION INSTRUCTION MAY VOID THE WARRANTY
 POWER OFF	DO NOT TOUCH LEDS. LEDS MUST BE PROTECTED FROM MECHANICAL STRESS OR DEBRIS
	TURN OFF POWER DURING INSTALLATION OR SERVICING

**SH - SHALLOW HOUSING (FOR NEW CONSTRUCTION ONLY)**



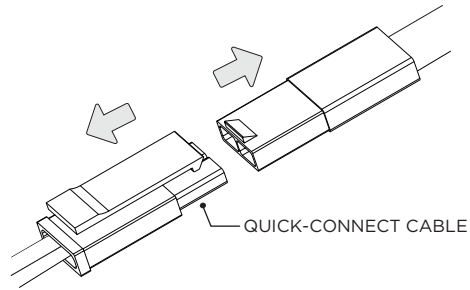
**LED SERVICING**

**1**



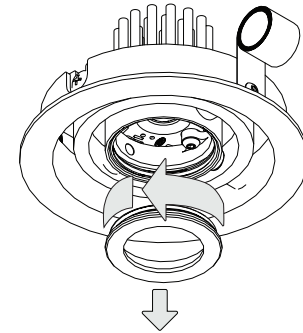
REMOVE LED ASSEMBLY FROM CEILING

**1A**

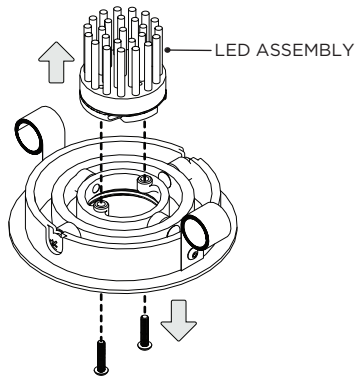


DISCONNECT QUICK-CONNECT CABLE FROM LED ASSEMBLY

**2**

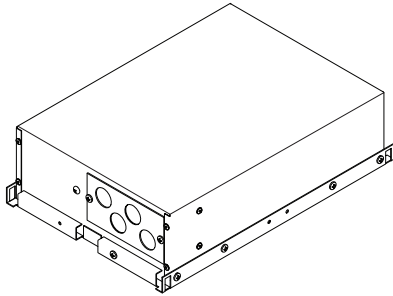


**3**



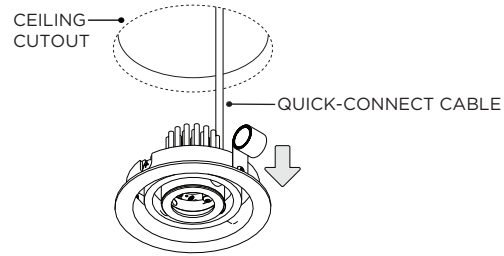
**DRIVER SERVICING**

**1 SH - SHALLOW HOUSING**



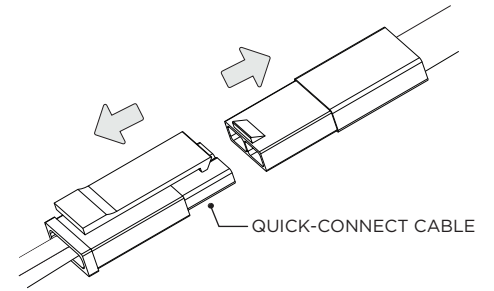
⚡ DISCONNECT POWER BEFORE SERVICING

**2**



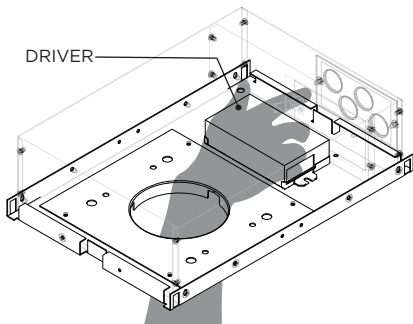
REMOVE LED ASSEMBLY FROM CEILING

**2A**



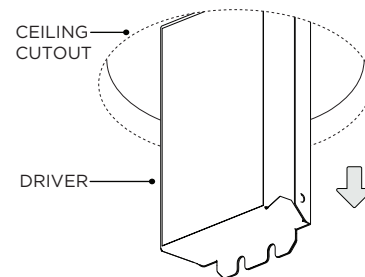
DISCONNECT QUICK-CONNECT CABLE FROM LED ASSEMBLY

**3**

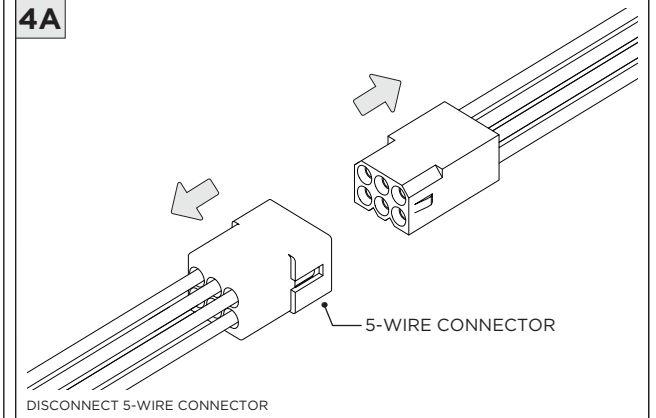


REMOVE DRIVER - SECURED WITH HOOK-AND-LOOP FASTENER

**4**



**4A**



DISCONNECT 5-WIRE CONNECTOR