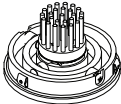
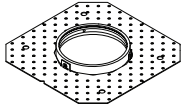
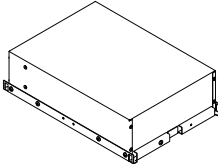
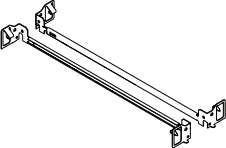
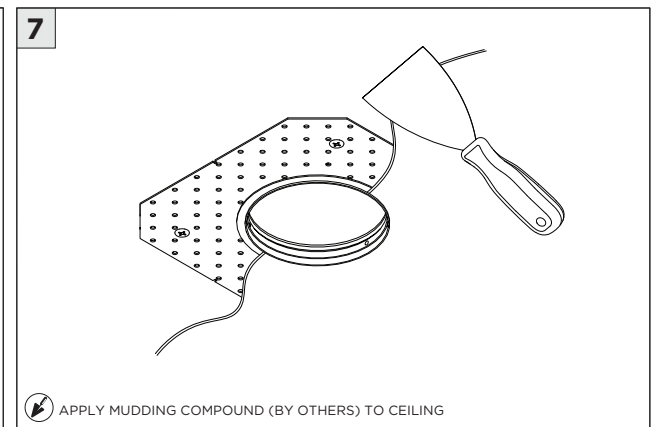
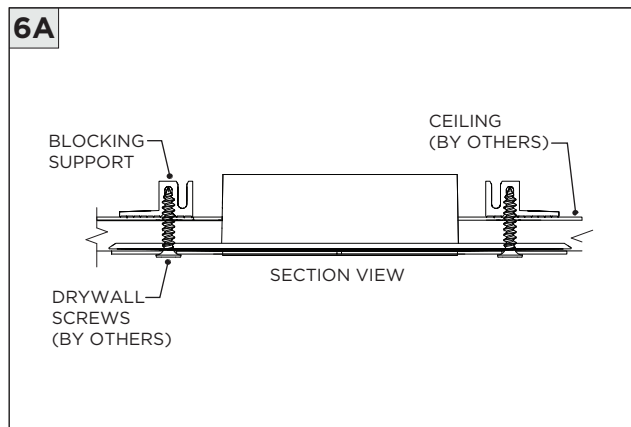
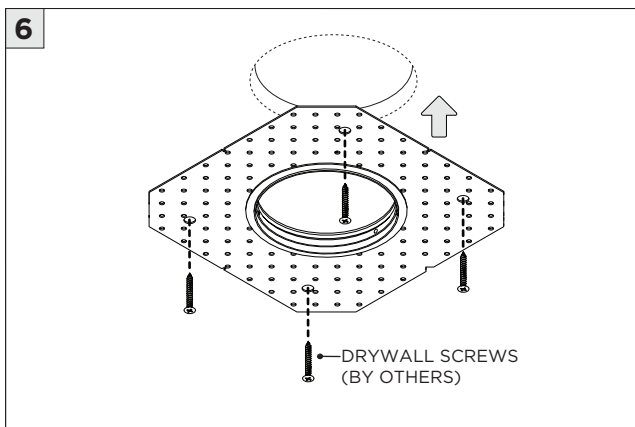
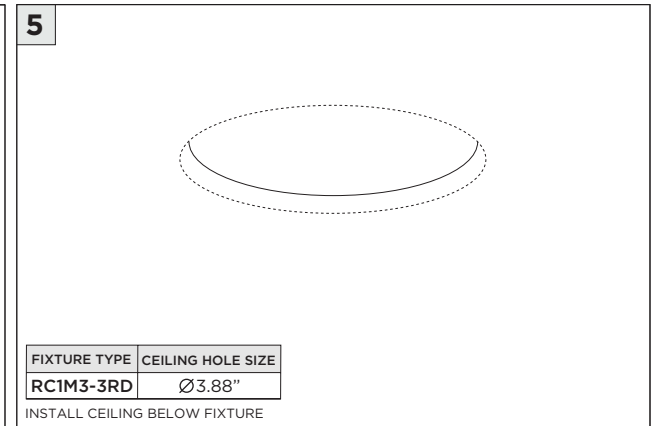
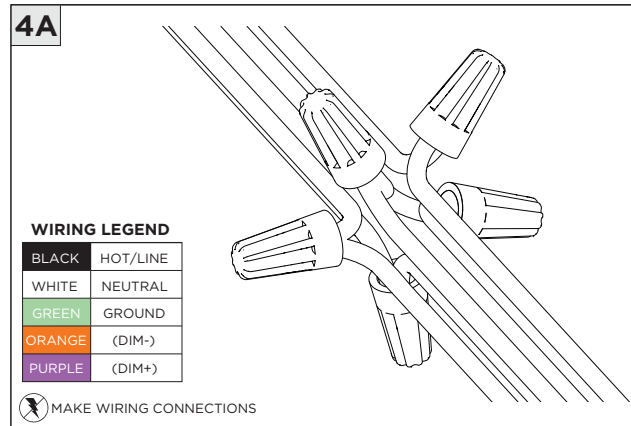
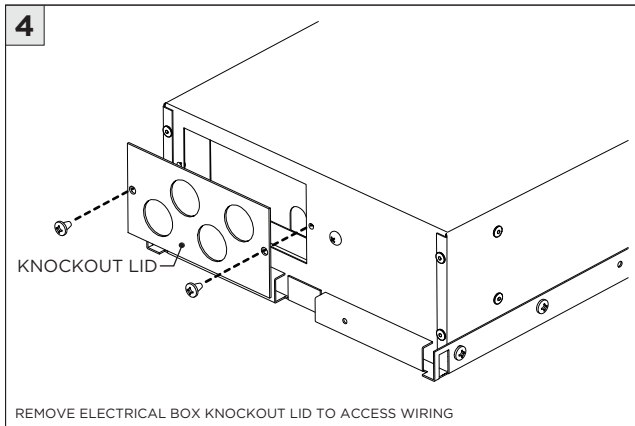
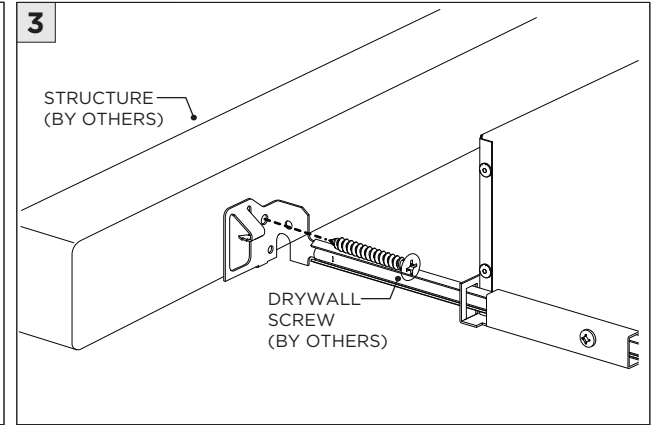
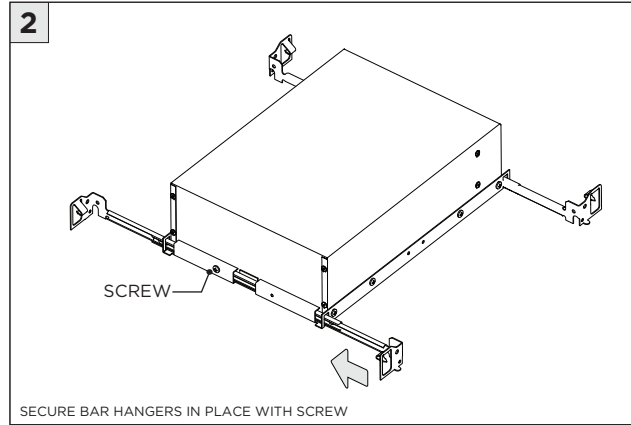
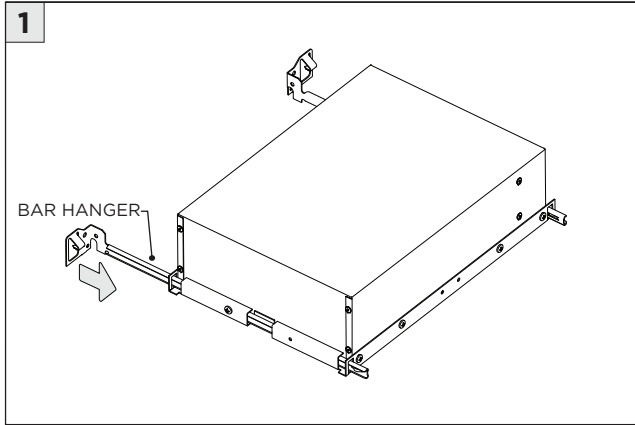




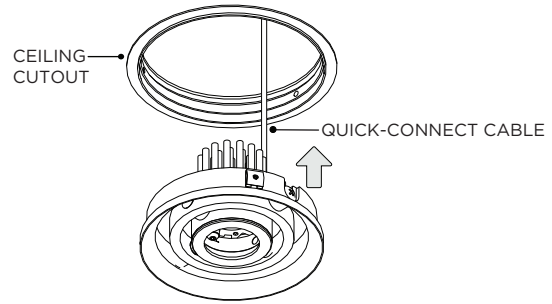
INCLUDED COMPONENTS	
SH - SHALLOW HOUSING (FOR NEW CONSTRUCTION ONLY)	
 <p>LED INSERT</p>	 <p>MUDDING FLANGE</p>
 <p>SHALLOW HOUSING</p>	 <p>BAR HANGERS</p>

INSTRUCTION KEY	INFORMATION
⚠	ADDITIONAL
i	ATTENTION
⚡	POWER ON
⚡	POWER OFF
<p>INSTALLATION SHOULD ONLY BE PERFORMED BY A CERTIFIED ELECTRICIAN REFER TO LOCAL/NATIONAL CODES FOR PROPER INSTALLATION FAILURE TO FOLLOW INSTALLATION INSTRUCTION MAY VOID THE WARRANTY DO NOT TOUCH LEDS. LEDS MUST BE PROTECTED FROM MECHANICAL STRESS OR DEBRIS TURN OFF POWER DURING INSTALLATION OR SERVICING</p>	

SH - SHALLOW HOUSING (FOR NEW CONSTRUCTION ONLY)

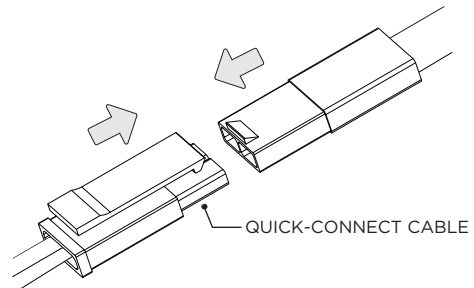


8



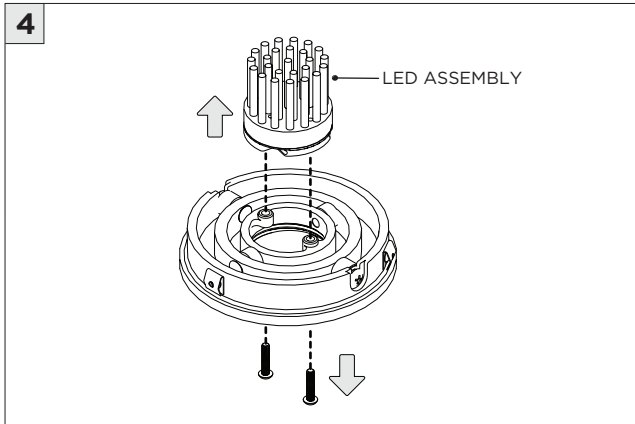
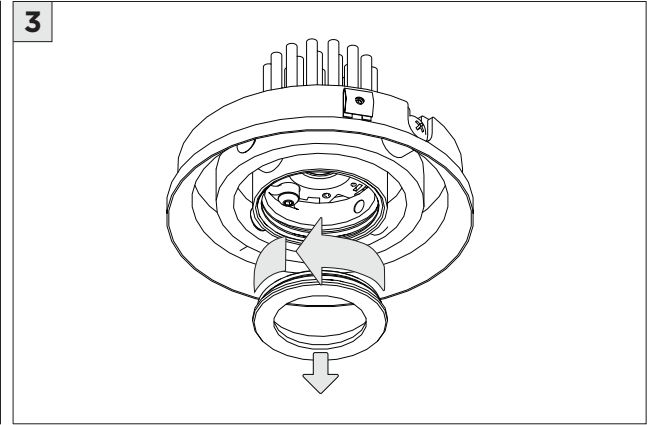
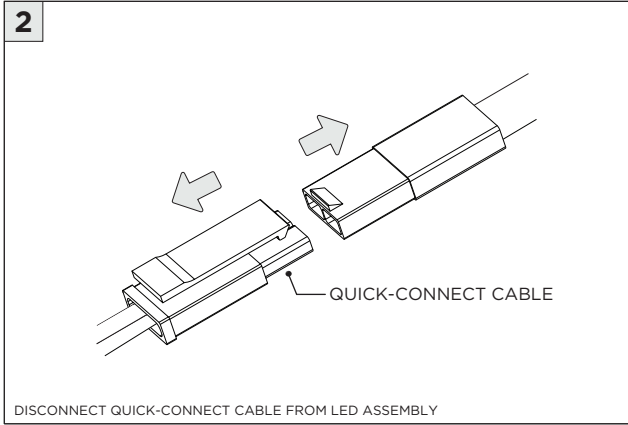
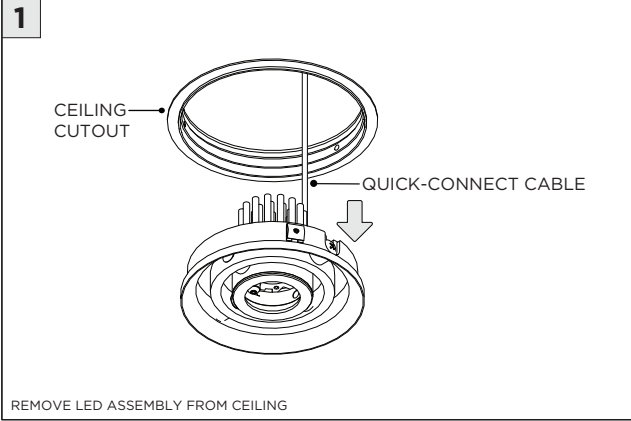
INSERT LED ASSEMBLY INTO CEILING

8A



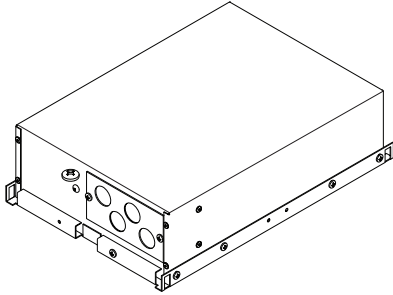
CONNECT QUICK-CONNECT CABLE TO LED ASSEMBLY

LED SERVICING



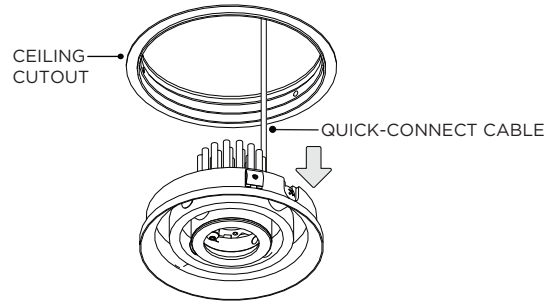
DRIVER SERVICING

1 SH - SHALLOW HOUSING



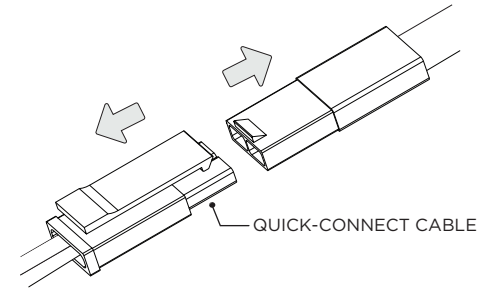
 DISCONNECT POWER BEFORE SERVICING

2



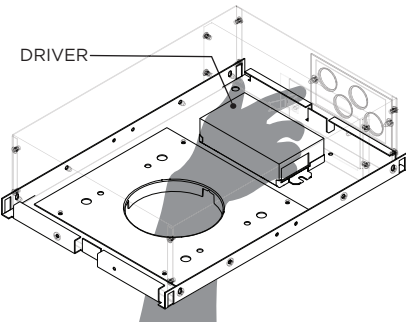
REMOVE LED ASSEMBLY FROM CEILING

2A



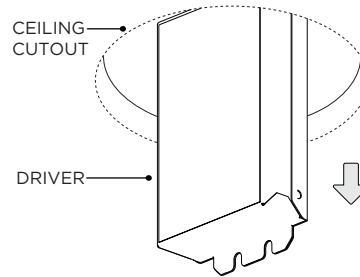
DISCONNECT QUICK-CONNECT CABLE FROM LED ASSEMBLY

3

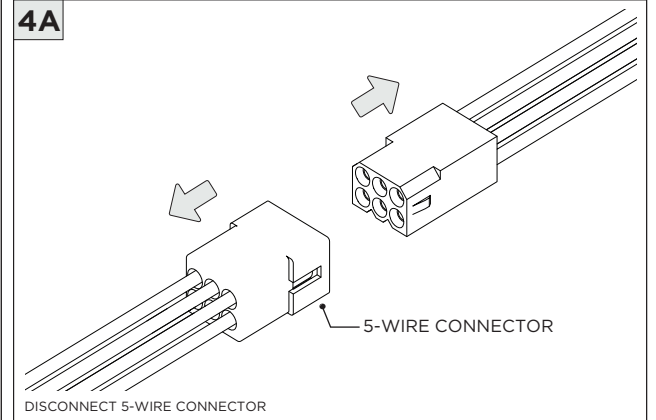


REMOVE DRIVER - SECURED WITH HOOK-AND-LOOP FASTENER

4



4A



DISCONNECT 5-WIRE CONNECTOR