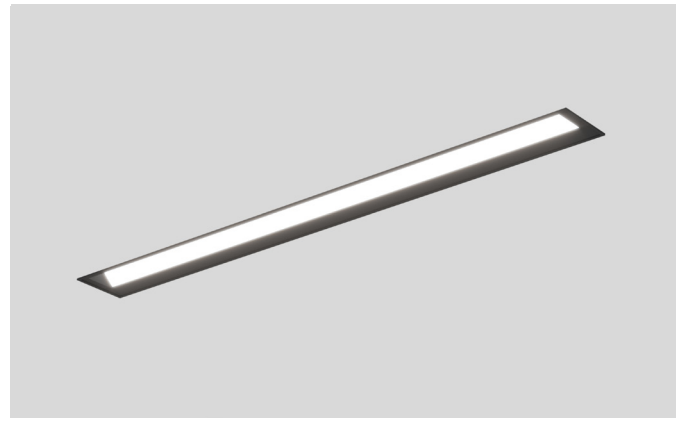


3G LIGHTING

3G-RMZ12WW

12" MINI ZOIE WALL WASH
DOWNLIGHT

12" linear high performance Mini Zoie Wall Wash downlight
1.18" aperture with matte black or matte white louver finish
Regressed LED source for enhanced glare control
Proprietary wall wash optic and lens
Shallow housing and integral drivers standard
Remodel housing available with integral driver enclosure
1% dimming standard with several integral driver options



SHIPPING LATE Q4

ORDERING INFORMATION

PROJECT:	<input type="text"/>	TYPE:	<input type="text"/>
CATALOG #:	<input type="text"/>	DATE:	<input type="text"/>

CAT. NO	LUMEN OUTPUT	CRI	COLOR TEMP	BEAM ANGLE	VOLTAGE
3G-RMZ12WW	L12 - 1200 LUMENS L24 - 2400 LUMENS	H95 - 95+CRI	27K - 2700K 30K - 3000K 35K - 3500K	WW - WALL WASH	UNV - 120/277V 120 - 120V 347 - 347V (0-10V ONLY)
See performance chart for lumen output					

DRIVER	FLANGE TYPE & FINISH	HOUSING TYPE	OPTIONS
DIM - 0-10V (INTEGRAL 100-1%) LE - PHASE (INTEGRAL TRIAC/ELV, 100-1%) ¹ DO1 - 0-10V (INTEGRAL 100-0.1%) DALI - DALI (INTEGRAL 100-1%) ² DHL2 - LUTRON HI-LUME LDE1 (INTEGRAL 1% ECOSYSTEM)	WT - WHITE TRIM & WHITE LOUVER BT - BLACK TRIM & BLACK LOUVER XTRW - WHITE TRIMLESS WITH WHITE LOUVER XTRB - BLACK TRIMLESS WITH BLACK LOUVER	SH - SHALLOW HOUSING (INTEGRAL DRIVER) SHRM - SHALLOW HOUSING & REMOTE DRIVER OPTION RMD - REMODEL WITH ENCLOSURE (INTEGRAL DRIVER) RMDRM - REMODEL & REMOTE DRIVER OPTION Shallow Housing is IC Rated	CP - CHICAGO PLENUM

¹ Forward Phase/Reverse Phase driver available in 120V only

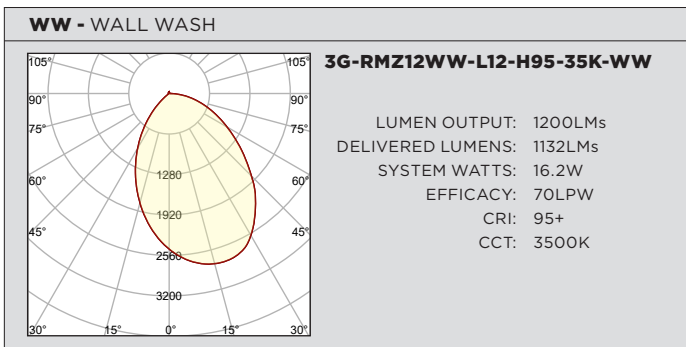
² DALI-2 (Type 6) provided as standard. Please consult factory for DALI (Type 8) options

SEPTEMBER 29, 2020

PERFORMANCE CHART BASED ON WALL WASH OPTIC AND 3500K SOURCE

LUMEN OUTPUT	COLOR TEMP	TOTAL DELIVERED LUMENS	SYSTEM WATTS	EFFICACY (LPW)
L12 - 1200LMs	2700K	978	16.2	60
	3000K	1029	16.2	64
	3500K	1132	16.2	70
L24 - 2400LMs	2700K	2104	38.4	55
	3000K	2215	38.4	58
	3500K	2437	38.4	63

PHOTOMETRY BASED ON 95+ CRI AND 3500K SOURCE



TECHNICAL**HOUSING**

New construction shallow housing (IC rated) with integral driver options
Remodel housing includes a separate driver enclosure suitable for location in plenum adjacent to fixture
Housing rated for #12 AWG (4 in, 4 out), 90°C conductors and through branch wiring

TRIM

Cast aluminum trim flange with powder coated finish and minimal 0.300" overlap

TRIMLESS

Mudding flange features a perforated surface for easy mud-in application
Integral blocking support provided to ensure fixture is properly secured within ceiling structure

OPTICS

Regressed LED source for enhanced glare control
Proprietary high performance wall wash optic and lens
Smooth, direct, and uniform illumination across the top and down the wall

ELECTRICAL

Standard 0-10V, constant current drivers with 100-1% dimming range and >0.9 power factor
Standard 120/277V universal voltage drivers. Optional 347V, 0-10V drivers
120V Forward Phase/Reverse Phase driver option with 100-1% dimming range
eldoLED 0-10V driver option available with 100-0.1% dimming range
eldoLED DALI and Lutron Ecosystem driver options available with 100-1% dimming range
All drivers are integral and easily accessible through fixture aperture

LED SYSTEM

Osram LED source
Color consistency <2 SDCM
Standard 95+ CRI
Available in 27K, 30K, and 35K
L90 >60,000 hours
5 Year Warranty

MOUNTING

Trim fixture designed for use in drywall, wood, acoustic, and other architectural ceilings
Trimless fixture designed for use in drywall, mud-in ceiling applications
Recommended ceiling cut-out for remodel housing (1.500" x 12.375")
New construction shallow housing ships with bar hangers (14" to 26" extension)

LISTING

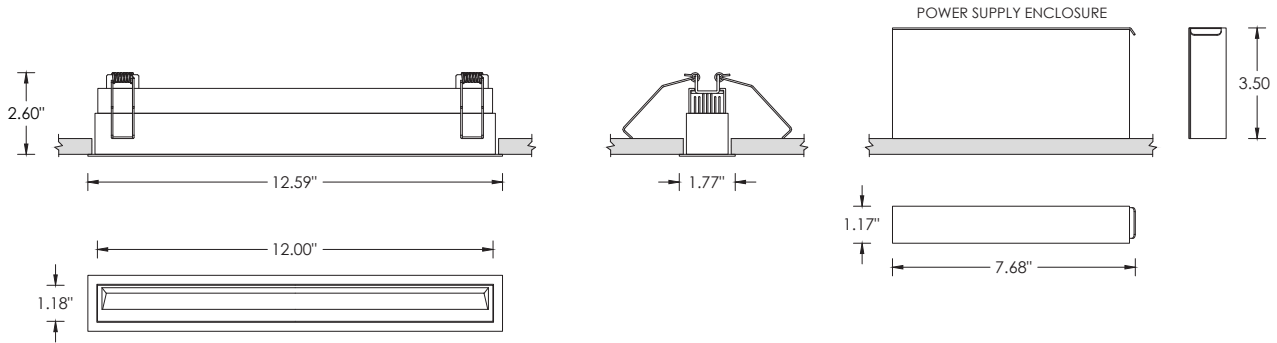
ETL listed and tested to cUL standards. Suitable for dry locations

WARRANTY

5 Year Warranty on LED and drivers
Manufacturer 1 Year Warranty for defects in material and workmanship under normal use
Ambient temperature at fixture should not exceed 25°C

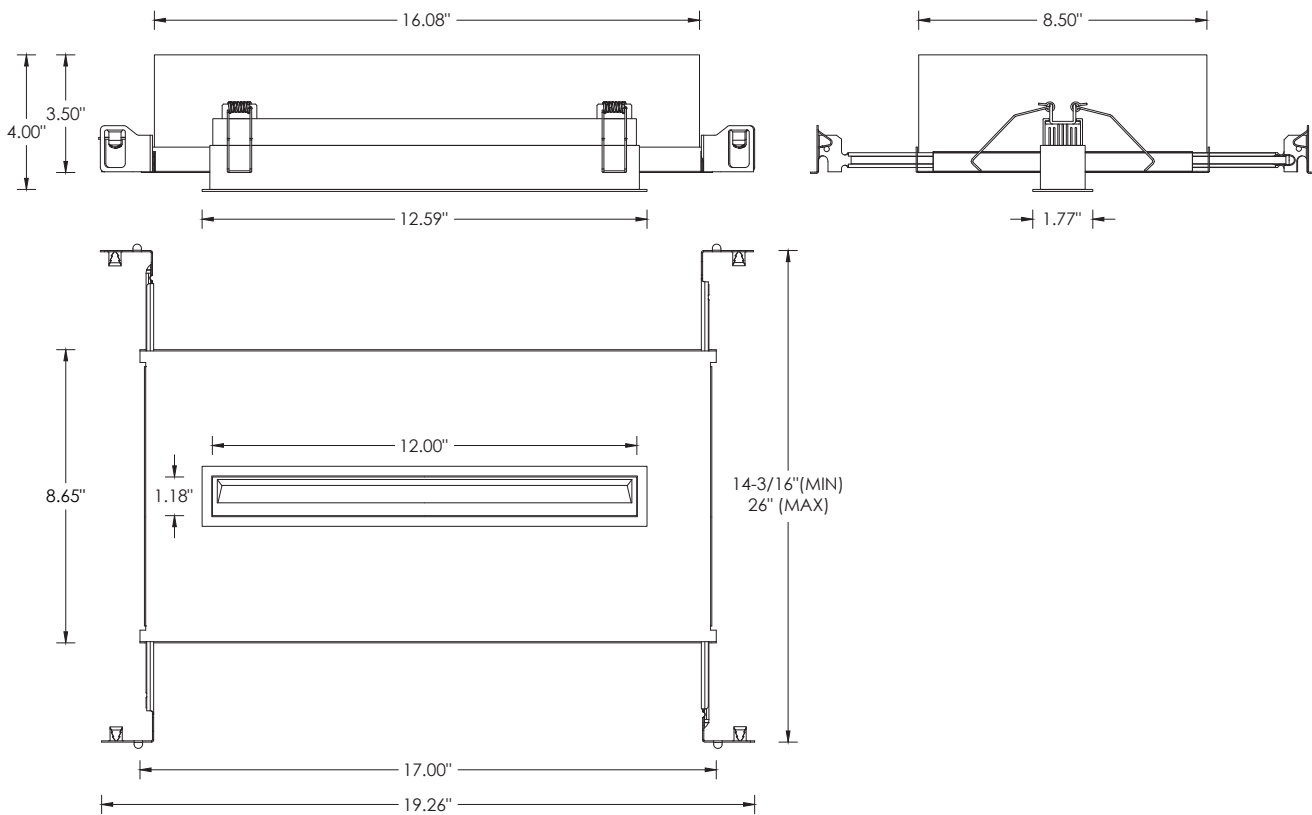
TRIM HOUSING OPTIONS (WITH INTEGRAL DRIVER)

RMD - Remodel Fixture (Non-IC) with Enclosure (Integral Driver)



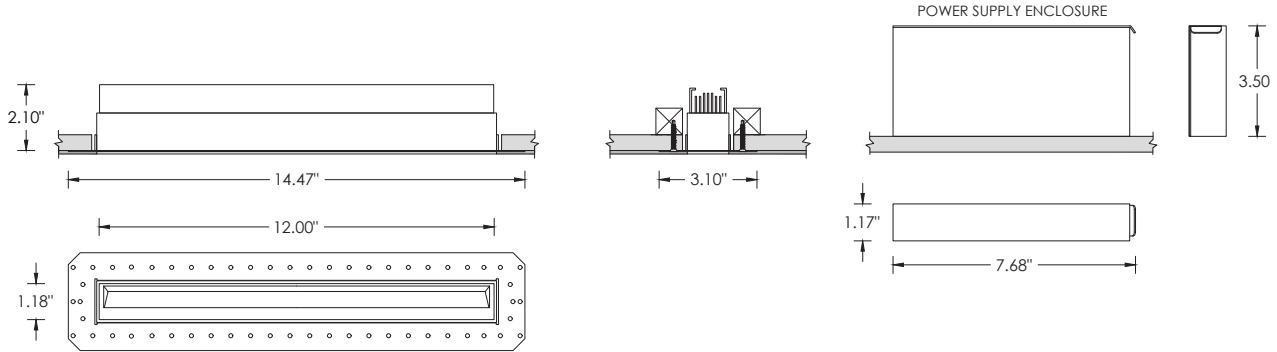
Recommended ceiling cut-out: 1.500" x 12.375"

SH - Shallow Housing (Integral Driver) (IC Rated and Chicago Plenum rated)



TRIMLESS HOUSING OPTIONS (WITH INTEGRAL DRIVER)

RMD - Remodel Fixture (Non-IC) with Enclosure (Integral Driver)



Recommended ceiling cut-out: 1.500" x 12.375"

SH - Shallow Housing (Integral Driver) (IC Rated and Chicago Plenum rated)

