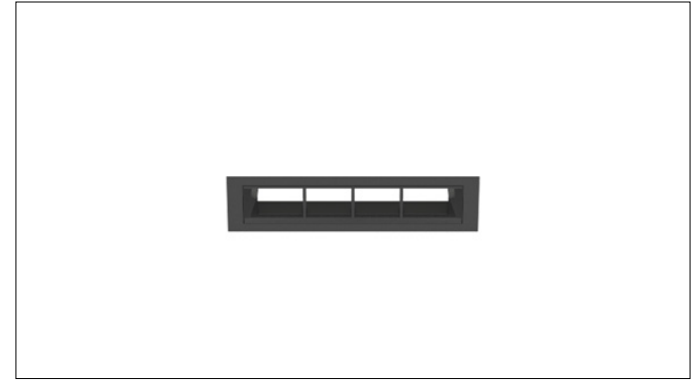
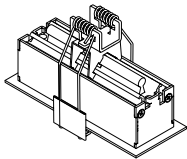
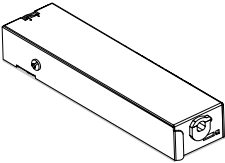
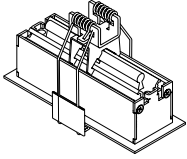
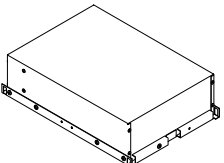
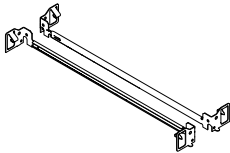








**3G-RMZ4WW, 3G-RMZ8WW, 3G-RMZ12WW**  
**ZOIE WALL WASH DOWNLIGHT**  
 TRIM



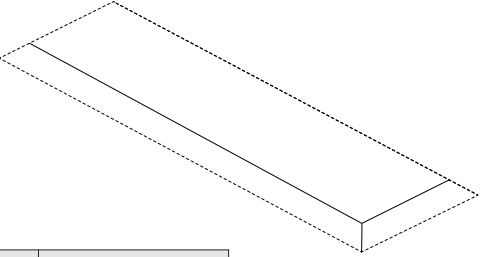
**i** THE IMAGES SHOWN ARE FOR ILLUSTRATION PURPOSES ONLY AND MAY NOT BE AN EXACT REPRESENTATION OF THE PRODUCT

INCLUDED COMPONENTS	
<p><b>RMD - REMODEL</b></p> <div style="display: flex; justify-content: space-around; align-items: center;"> <div style="text-align: center;">  <p>LED INSERT</p> </div> <div style="text-align: center;">  <p>DRIVER ENCLOSURE</p> </div> </div>	<p><b>SH - SHALLOW HOUSING (FOR NEW CONSTRUCTION ONLY)</b></p> <div style="display: flex; justify-content: space-around; align-items: center;"> <div style="text-align: center;">  <p>LED INSERT</p> </div> <div style="text-align: center;">  <p>SHALLOW HOUSING</p> </div> <div style="text-align: center;">  <p>BAR HANGERS</p> </div> </div>

INSTRUCTION KEY	INFORMATION
 ADDITIONAL	INSTALLATION SHOULD ONLY BE PERFORMED BY A CERTIFIED ELECTRICIAN
 ATTENTION	REFER TO LOCAL/NATIONAL CODES FOR PROPER INSTALLATION
 POWER ON	FAILURE TO FOLLOW INSTALLATION INSTRUCTION MAY VOID THE WARRANTY
 POWER OFF	DO NOT TOUCH LEDS. LEDS MUST BE PROTECTED FROM MECHANICAL STRESS OR DEBRIS
	TURN OFF POWER DURING INSTALLATION OR SERVICING

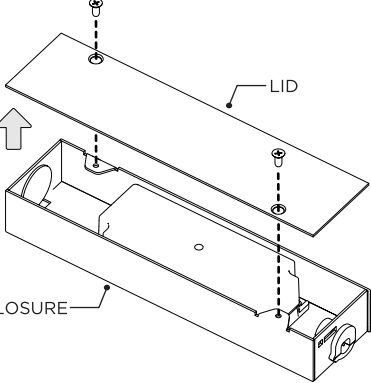
**RMD - REMODEL**

**1**



FIXTURE TYPE	CEILING CUTOUT
RMZ4WW	1.500" x 4.375"
RMZ8WW	1.500" x 8.375"
RMZ12WW	1.500" x 12.375"

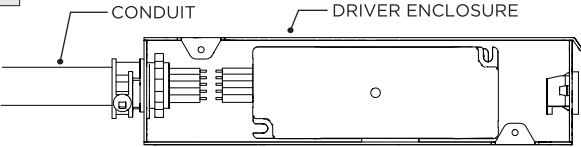
**2**



LID

DRIVER ENCLOSURE

**3**



CONDUIT

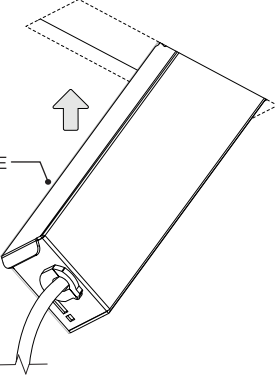
DRIVER ENCLOSURE

**WIRING LEGEND**

BLACK	HOT/LINE
WHITE	NEUTRAL
GREEN	GROUND
ORANGE	(DIM-)
PURPLE	(DIM+)

CONNECT CONDUIT TO DRIVER ENCLOSURE AND MAKE WIRING CONNECTIONS

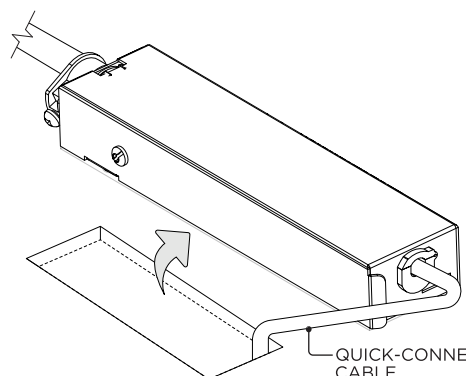
**4**



DRIVER ENCLOSURE

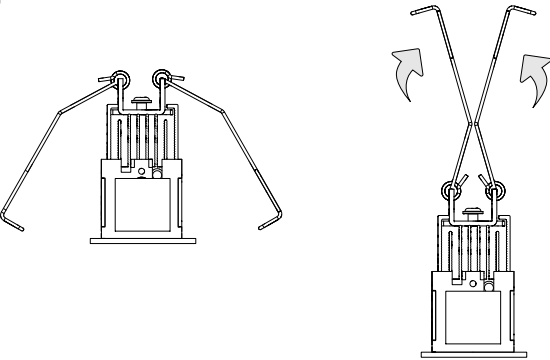
SECURE LID ONTO DRIVER ENCLOSURE AND INSERT INTO CEILING

**5**



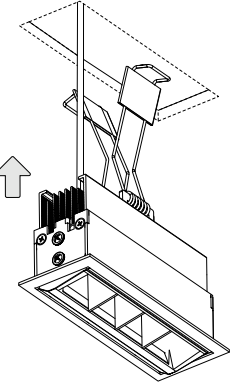
QUICK-CONNECT CABLE

**6**



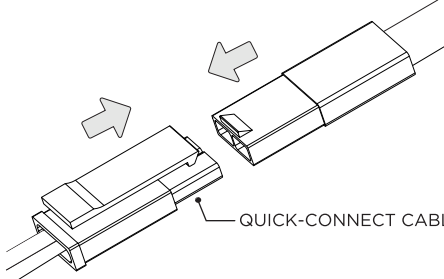
RAISE SPRING ARMS

**7A**



INSERT LED ASSEMBLY INTO CEILING

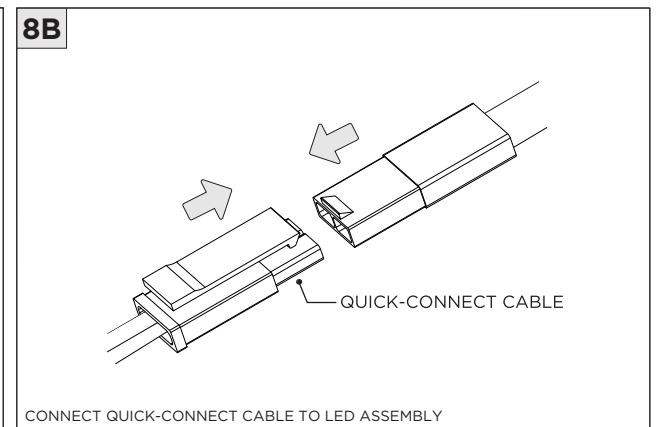
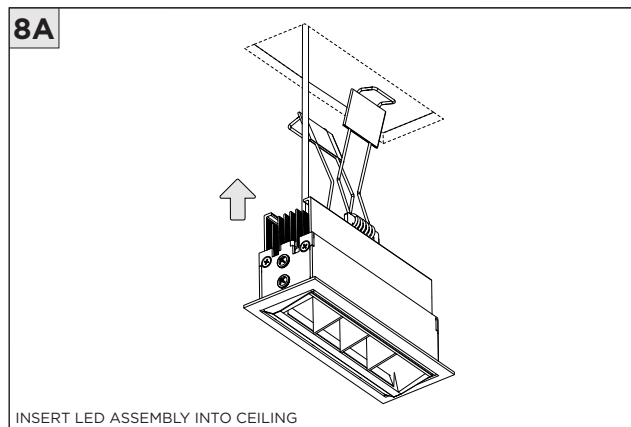
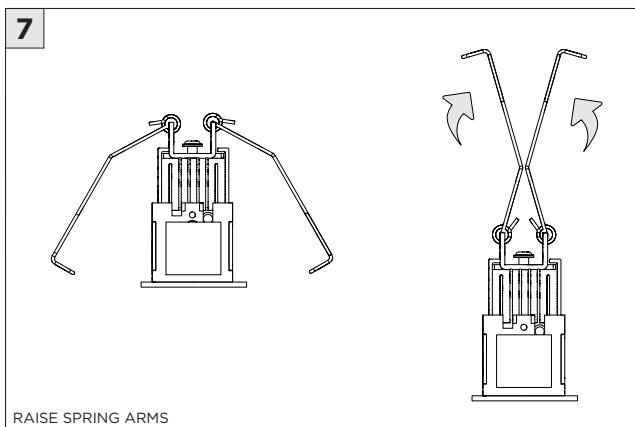
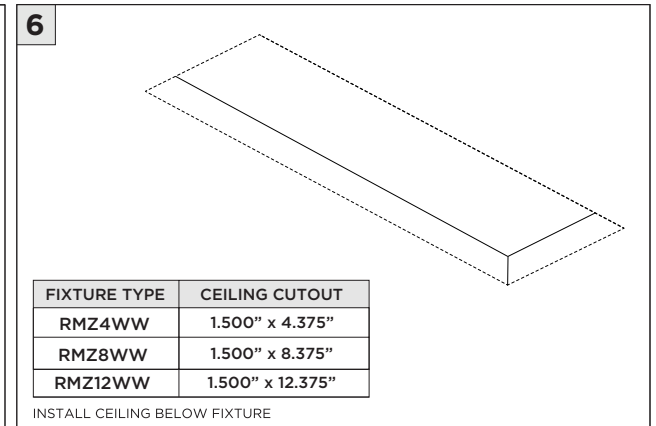
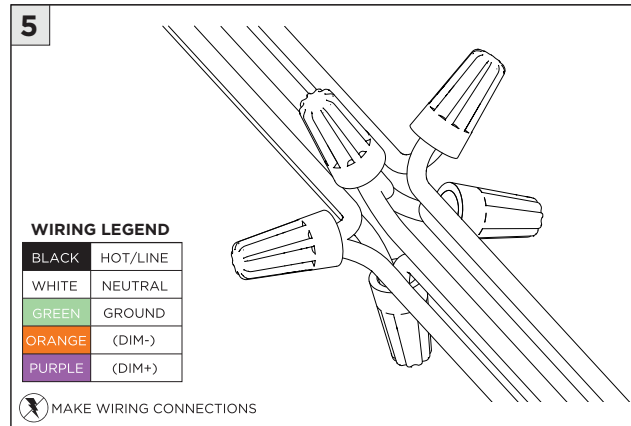
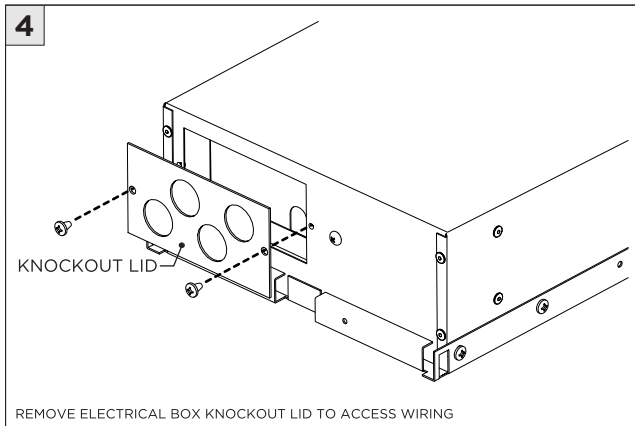
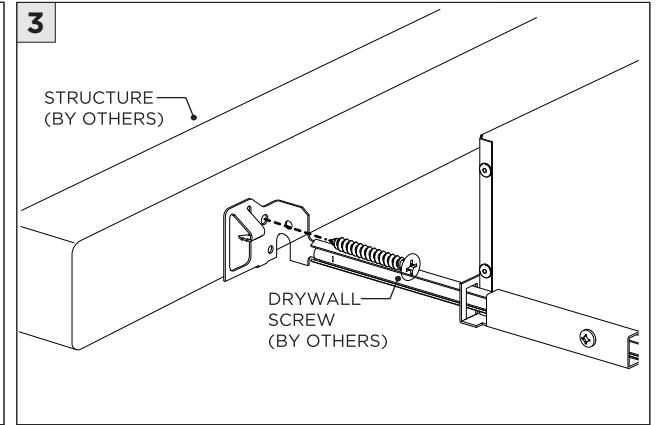
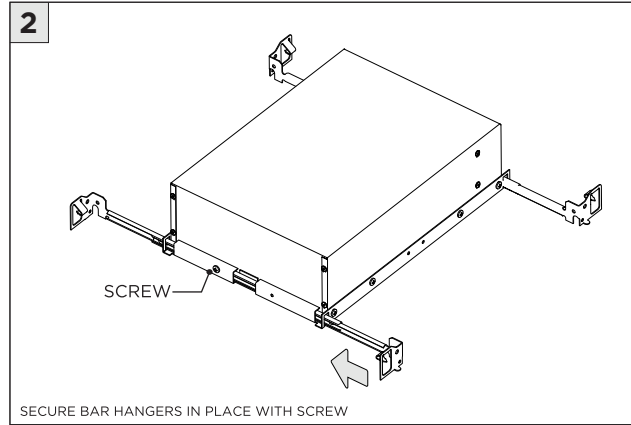
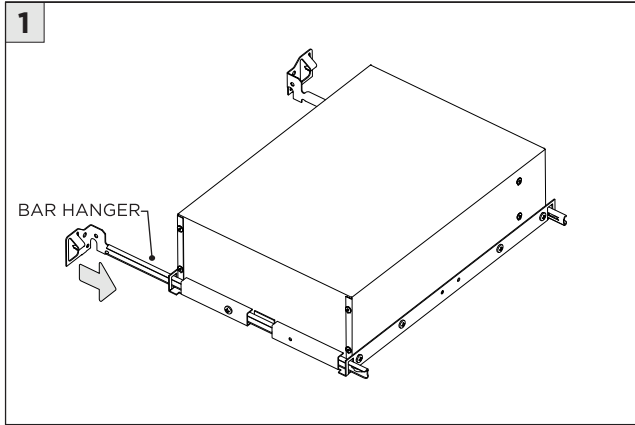
**7B**



QUICK-CONNECT CABLE

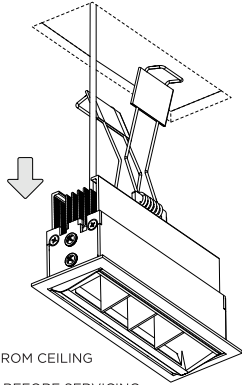
CONNECT QUICK-CONNECT CABLE TO LED ASSEMBLY

**SH - SHALLOW HOUSING (FOR NEW CONSTRUCTION ONLY)**



**LED SERVICING**

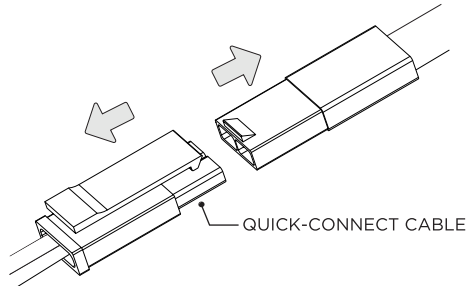
**1A**



REMOVE LED ASSEMBLY FROM CEILING

 DISCONNECT POWER BEFORE SERVICING

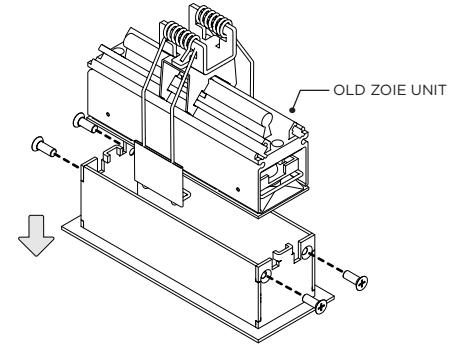
**1B**



QUICK-CONNECT CABLE

DISCONNECT QUICK-CONNECT CABLE TO LED ASSEMBLY

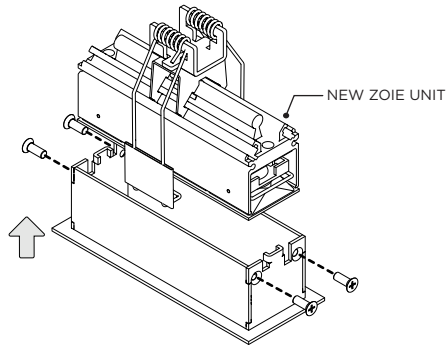
**2**



OLD ZOIE UNIT

REMOVE TRIM FROM OLD ZOIE UNIT

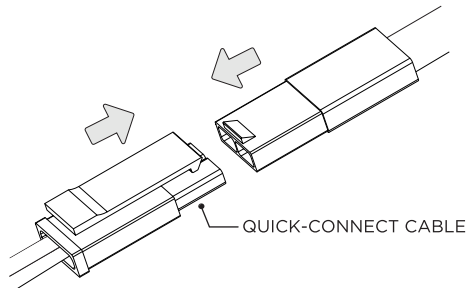
**3**



NEW ZOIE UNIT

SECURE TRIM TO NEW ZOIE UNIT

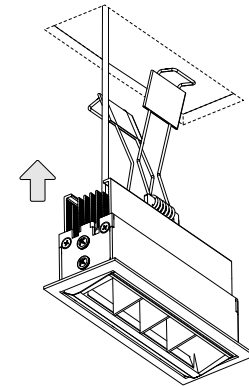
**4A**



QUICK-CONNECT CABLE

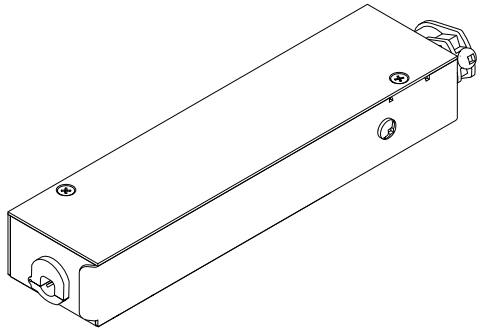
CONNECT QUICK-CONNECT CABLE TO LED ASSEMBLY

**4B**



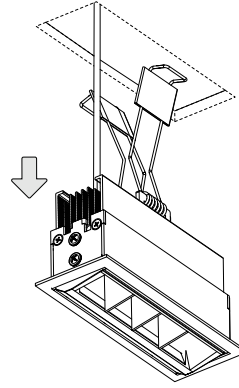
**DRIVER SERVICING**

**1 RMD - REMODEL**



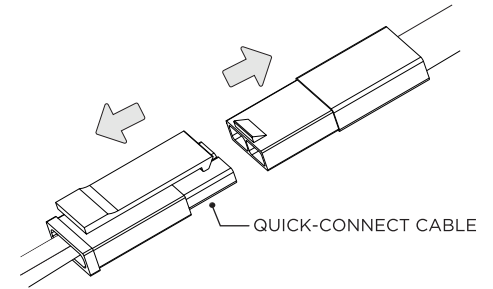
 DISCONNECT POWER BEFORE SERVICING

**2A**



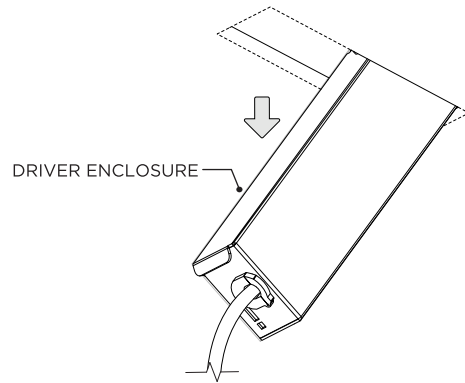
REMOVE LED ASSEMBLY FROM CEILING

**2B**



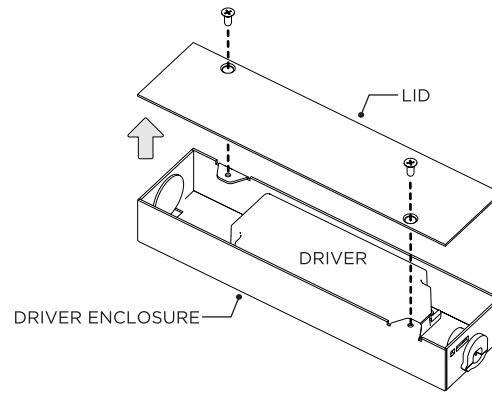
DISCONNECT QUICK-CONNECT CABLE TO LED ASSEMBLY

**3**



REMOVE DRIVER ENCLOSURE FROM CEILING

**4**



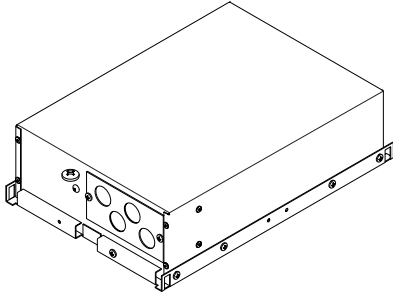
DRIVER ENCLOSURE

DRIVER

LID

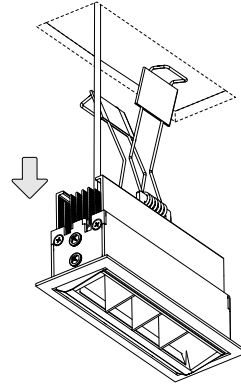
**DRIVER SERVICING**

**1 SH - SHALLOW HOUSING**



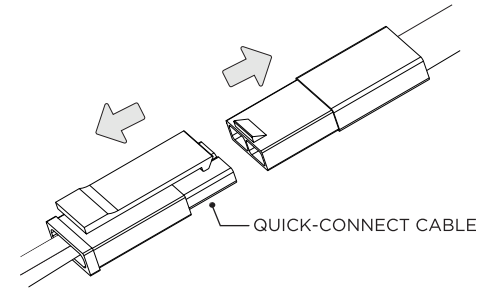
 DISCONNECT POWER BEFORE SERVICING

**2A**



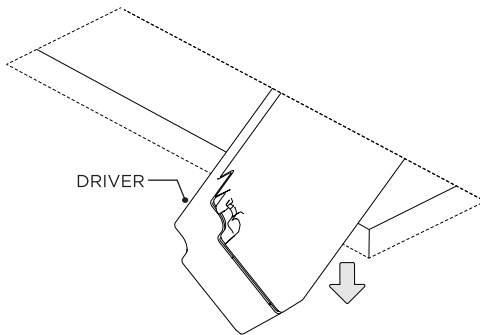
REMOVE LED ASSEMBLY FROM CEILING

**2B**



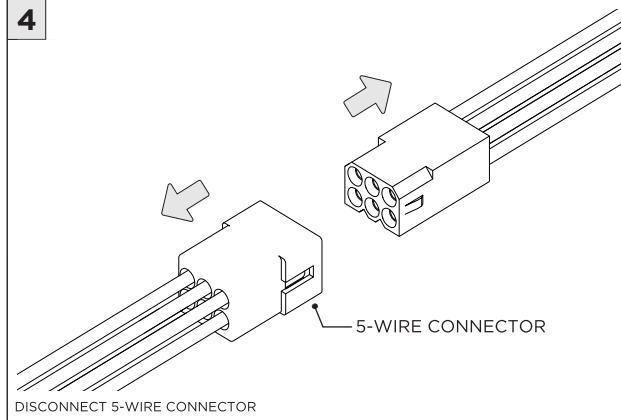
DISCONNECT QUICK-CONNECT CABLE TO LED ASSEMBLY

**3**



REMOVE DRIVER - SECURED WITH HOOK-AND-LOOP FASTENER

**4**



DISCONNECT 5-WIRE CONNECTOR