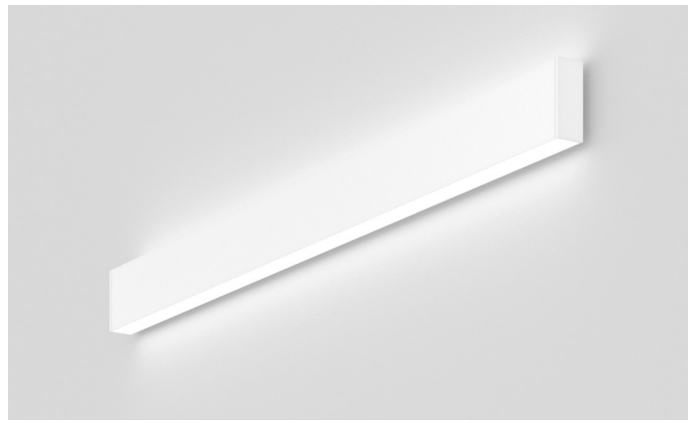


3G LIGHTING

3G-1WLI-DI

1.5" LINEAR DIRECT/INDIRECT
WALL MOUNTED

Narrow 1.5" aperture with one piece extruded aluminum housing
Individual or continuous runs available in multiple run configurations
Direct/Indirect distribution with multiple lumen output options
LED system with performance up to 127 lumens per watt
Extruded acrylic lens with optimal performance and glare control
Asymmetric optic available
1% dimming standard with several driver options



ORDERING INFORMATION

| | | | |
|-------------------|----------------------|--------------|----------------------|
| PROJECT: | <input type="text"/> | TYPE: | <input type="text"/> |
| CATALOG #: | <input type="text"/> | DATE: | <input type="text"/> |

| CAT. NO | LUMEN OUTPUT (DIRECT) | LUMEN OUTPUT (INDIRECT) | CRI | COLOR TEMP |
|---|---|---|---|--|
| 3G-1WLI-DI | L250 - LOW OUTPUT (250 LM/FT) ¹ L500 - MEDIUM OUTPUT (500 LM/FT) L750 - HIGH OUTPUT (750 LM/FT) L1000 - VERY HIGH OUTPUT (1000 LM/FT) ^{2,3} LC___ - CUSTOM OUTPUT (SPECIFY LM/FT) [*] <small>*Specify custom lumen outputs in 50lm increments (ie: LC600, LC650, LC700) Custom output cannot exceed LC1000</small> | L250 - LOW OUTPUT (250 LM/FT) ¹ L500 - MEDIUM OUTPUT (500 LM/FT) L750 - HIGH OUTPUT (750 LM/FT) L1000 - VERY HIGH OUTPUT (1000 LM/FT) ^{2,3} LC___ - CUSTOM OUTPUT (SPECIFY LM/FT) [*] <small>*Specify custom lumen outputs in 50lm increments (ie: LC600, LC650, LC700) Custom output cannot exceed LC1000</small> | S80 - 83+ CRI (STANDARD) H90 - 93+ CRI | 27K - 2700K 30K - 3000K 35K - 3500K 40K - 4000K |
| VOLTAGE | DRIVER | LENS OPTION (DIRECT) | LENS OPTION (INDIRECT) | FINISH |
| UNV - 120-227V 347 - 347V (0-10V ONLY) | DIM - 0-10V (STANDARD - 100-1%) DHL2 - LUTRON HI-LUME LDE1 (100-1% ECOSYSTEM) DALI - DALI (100-1%) ⁴ DO1 - 0-10V (100-0.1%) | FL - FLUSH DASY - ASYMMETRIC OPTIC | FL - FLUSH ASY - ASYMMETRIC OPTIC | WH - WHITE (STANDARD) SV - SILVER BK - BLACK |
| CIRCUITING | OPTIONS | LENGTH (FEET) | | |
| 1C - 1 CIRCUIT 2C - 2 CIRCUIT | EMC - EMERGENCY CIRCUIT | S - ___' (STRAIGHT RUN) [*] L - ___' X ___' (L-SHAPE) U - ___' X ___' X ___' (U-SHAPE) | | |
| | | <small>* Individual units available in 2', 3', 4', 5', 6', and 8' Continuous runs available in 1' increments as standard. Contact 3G for 1" increments</small> | | |

¹ L250 (250LM/FT) not available in 2' and 3' lengths (Please specify LC400 for 2' and 3' fixture length when outputs lower than 500LM/FT are required)
² L1000 (1000LM/FT) not available with H90 (93+ CRI)
³ L1000 (1000LM/FT) not available with ASY (Indirect Asymmetric optic)
⁴ DALI-2 (Type 6) provided as standard. Please consult factory for DALI (Type 8) options

SEPTEMBER 23, 2020





3G-1WLI-DI

LIGHTING 1.5" LINEAR DIRECT/INDIRECT - WALL MOUNTED

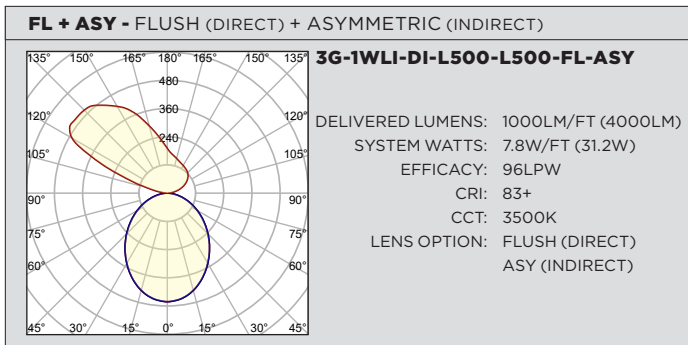
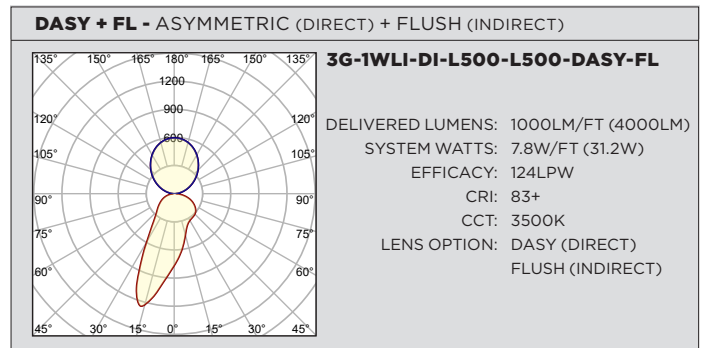
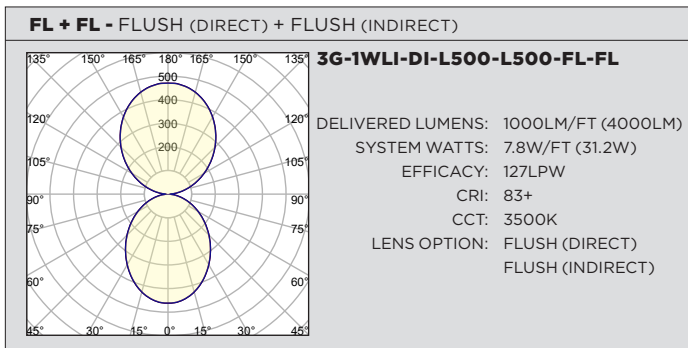
PERFORMANCE CHART BASED ON 4' LENGTH (83+ CRI AND 3500K SOURCE)

| LENS OPTION | DELIVERED LUMENS (LM/FT) | | | SYSTEM WATTS (W/FT) | | | EFFICACY (LPW) | | |
|---------------------------|--------------------------|----------|-------|---------------------|----------|-------|----------------|----------|-------|
| | DIRECT | INDIRECT | TOTAL | DIRECT | INDIRECT | TOTAL | DIRECT | INDIRECT | TOTAL |
| FLUSH + FLUSH | 250 | 250 | 500 | 2.3 | 1.7 | 4.0 | 110 | 146 | 125 |
| | 500 | 500 | 1000 | 4.5 | 3.3 | 7.8 | 111 | 148 | 127 |
| | 750 | 750 | 1500 | 7.2 | 5.2 | 12.4 | 105 | 144 | 121 |
| | 1000 | 1000 | 2000 | 9.9 | 7.2 | 17.1 | 101 | 137 | 116 |
| FLUSH + ASYMMETRIC | 250 | 250 | 500 | 2.3 | 1.7 | 4.0 | 110 | 74 | 94 |
| | 500 | 500 | 1000 | 4.5 | 3.4 | 7.8 | 111 | 77 | 96 |
| | 750 | 750 | 1500 | 7.2 | 5.3 | 12.5 | 105 | 72 | 91 |
| | 1000 | 750 | 1750 | 9.9 | 5.3 | 15.2 | 101 | 72 | 91 |
| ASYMMETRIC + FLUSH | 250 | 250 | 500 | 2.3 | 1.7 | 4.0 | 106 | 146 | 123 |
| | 500 | 500 | 1000 | 4.5 | 3.3 | 7.8 | 105 | 148 | 124 |
| | 750 | 750 | 1500 | 7.2 | 5.2 | 12.4 | 102 | 144 | 119 |
| | 1000 | 1000 | 2000 | 9.9 | 7.2 | 17.1 | 102 | 137 | 117 |

| LUMEN OUTPUT ADJUSTMENT FACTORS | CCT | Multiplier |
|---------------------------------|-------|------------|
| | 2700K | 0.945 |
| | 3000K | 0.985 |
| | 3500K | 1.00 |
| 4000K | 1.01 | |

| EFFICACY (LPW) ADJUSTMENT FACTOR | CRI | Multiplier |
|----------------------------------|-----|------------|
| | 93+ | 0.88 |

PHOTOMETRY BASED ON 4' LENGTH (83+ CRI AND 3500K SOURCE)





3G-1WLI-DI

LIGHTING 1.5" LINEAR DIRECT/INDIRECT - WALL MOUNTED

TECHNICAL

HOUSING

Extruded aluminum housing with narrow 1.5" aperture
Machined aluminum end caps add 1/4" to each end of luminaire
Individual units and continuous runs available in 1' increments. Contact 3G for 1" increments
24-gauge LED reflector with high reflectance white powder coated finish
Standard polyester powder coated matte white finish. Optional finishes available

OPTICS

Extruded, satin acrylic lens designed for optimal performance and glare control. Up to 8' continuous
High performance asymmetric optics available

ELECTRICAL

Luminaires are pre-wired with factory installed quick connects and branch circuit wiring
Standard 0-10V, constant current drivers with 100-1% dimming range and >0.9 power factor
Standard 120/277V universal voltage drivers. Optional 347V, 0-10V drivers
Lutron EcoSystem and eldoLED DALI options available with 100-1% dimming range
All drivers are integral and easily accessible through luminaire aperture

LED SYSTEM

Proprietary LED system with color consistency <3 SDCM
Available in 27K, 30K, 35K, and 40K
Standard 83+CRI. Optional 93+CRI
R9 value of 56 for 93+CRI
L90 >60,000 hours
5 Year Warranty

MOUNTING

Toolless installation with 3G's proprietary mounting system
Internal, toolless joiner system (latch and hook) easily connects multiple sections together
LED reflectors remain within each fixture section during installation with 3G's click and lock spring system
Suitable for wall mount applications (2"x4" junction box)
Fixture is secured to mounting brackets that fasten directly to wall
Suitable for various architectural ceilings (see mounting details)
Fixture weight: +/- 2.5 lb/ft

LISTING

ETL listed and tested to cUL standards. Suitable for dry and damp locations

WARRANTY

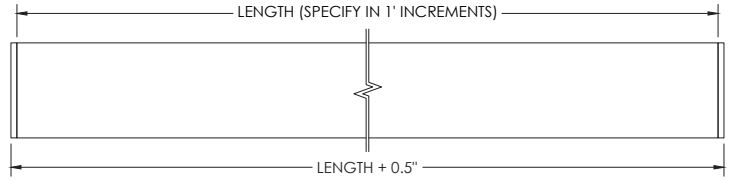
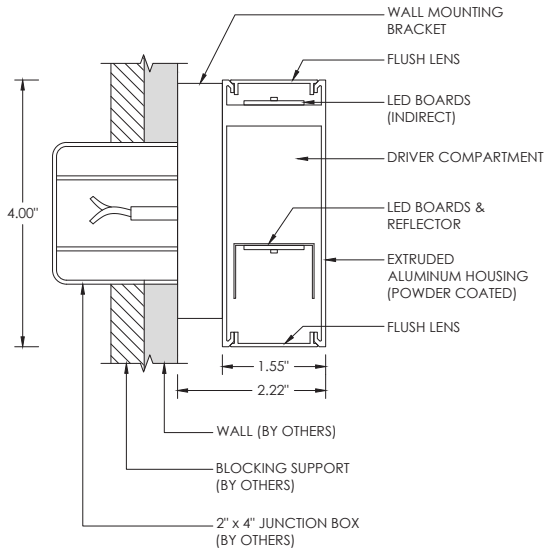
5 Year Warranty on LED and drivers
Manufacturer 1 Year Warranty for defects in material and workmanship under normal use
Ambient temperature at fixture should not exceed 25°C



3G-1WLI-DI

LIGHTING 1.5" LINEAR DIRECT/INDIRECT - WALL MOUNTED

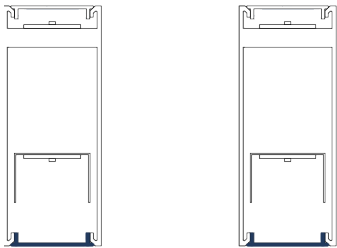
DRAWINGS AND DIMENSIONS



LENS OPTION

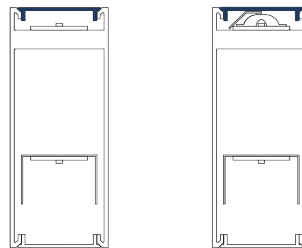
DIRECT LENS OPTION

FL - FLUSH **DASY - ASYMMETRIC**



INDIRECT LENS OPTION

FL - FLUSH **ASY - ASYMMETRIC**



PATTERNS

Specify pattern shape and overall dimensions as shown below
 Patterns are connected with fully illuminated 12"x12" L shaped sections
 Please consult factory for custom patterns and shapes not shown below



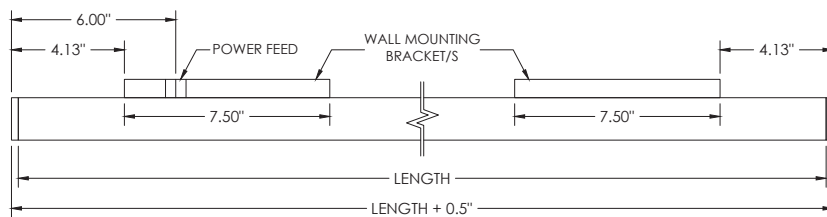
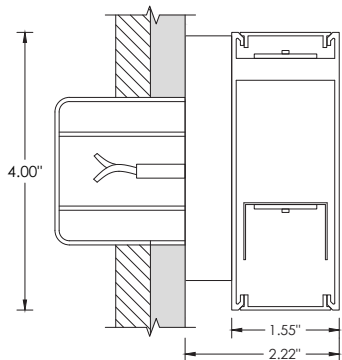
| L-SHAPE | U-SHAPE |
|--|--|
| Provide dimensions of AxB Example: L - 6'x8' | Provide dimensions of AxBxC Example: U - 8'x10'x6' |
| | |

3G

3G-1WLI-DI

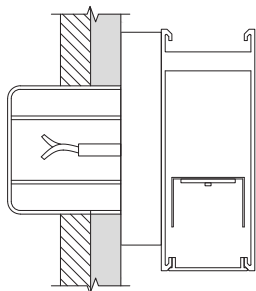
LIGHTING 1.5" LINEAR DIRECT/INDIRECT - WALL MOUNTED

MOUNTING DETAILS



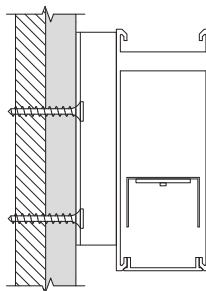
POWER FEED

2" x 4" SLOTTED JUNCTION BOX
(BY OTHERS)



NON POWER FEED

MOUNTING SCREWS
(BY OTHERS)



MOUNTING SYSTEM

TOOLLESS INSTALLATION

WITH 3G'S PROPRIETARY JOINER SYSTEM

