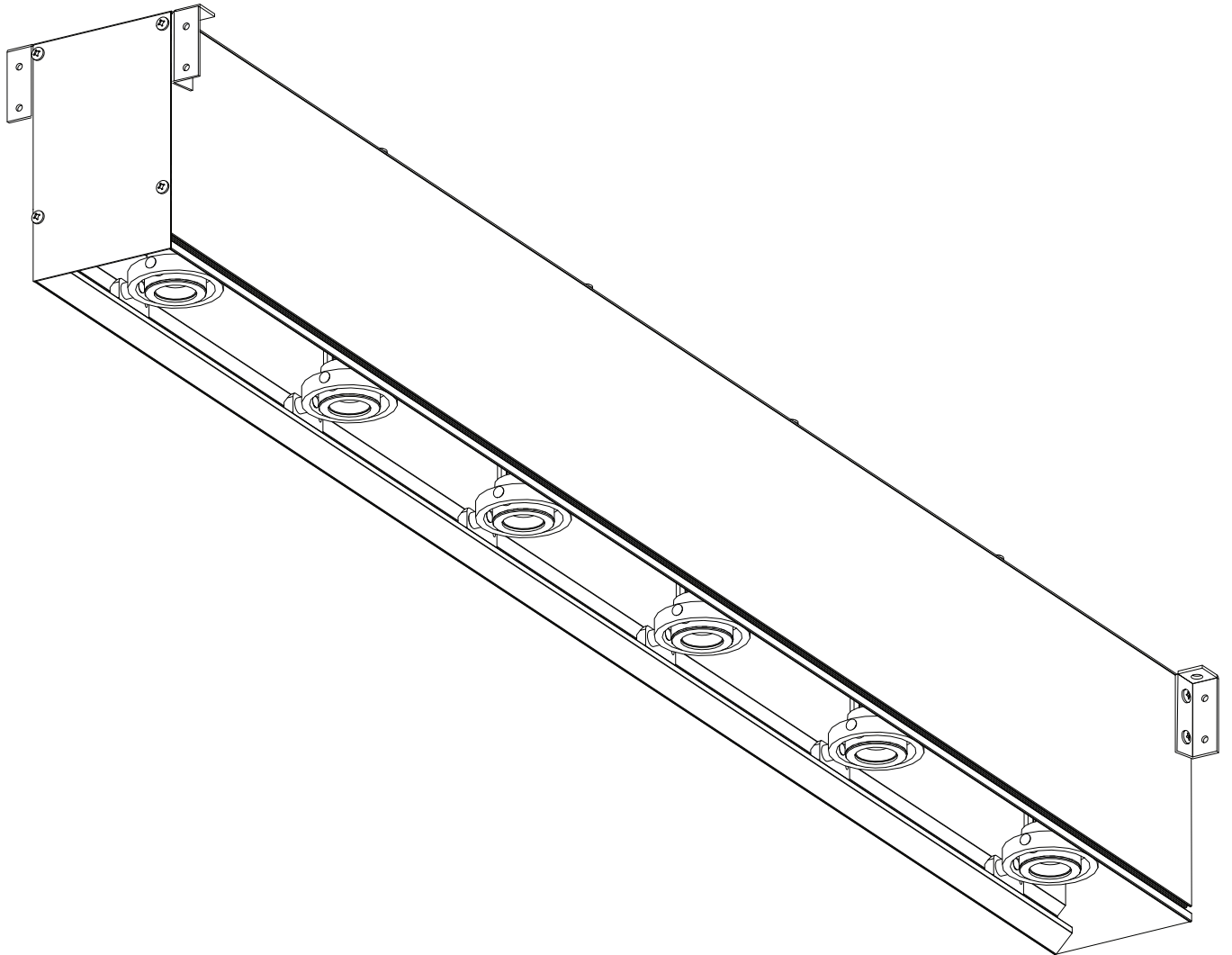
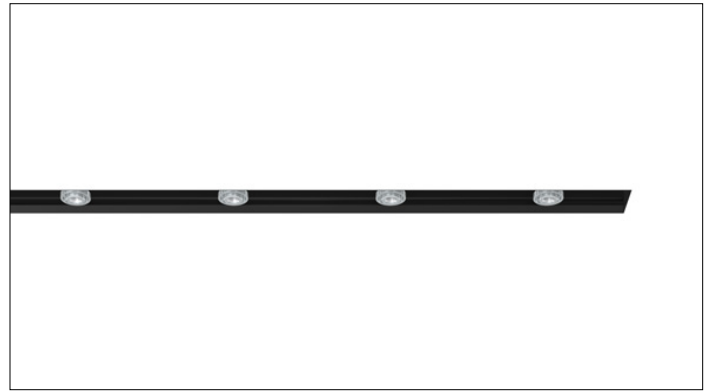


**3.8" RECESSED
MADISON SLOT**

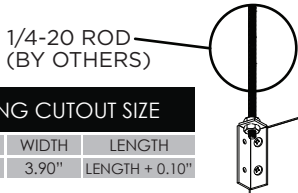
FLANGELESS



⚠ FOR NEW CONSTRUCTION INSTALLATION ONLY

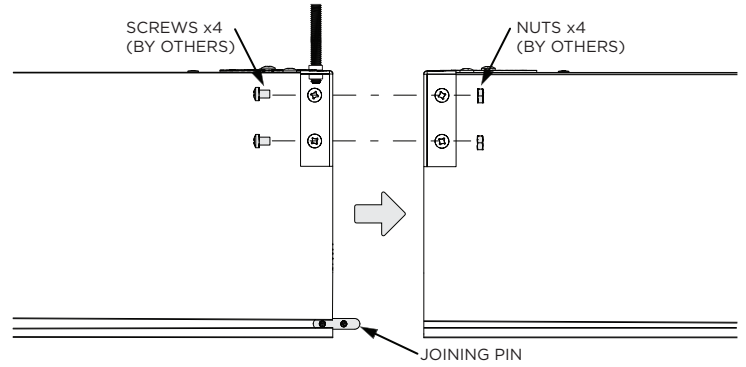
INSTRUCTION KEY	INFORMATION
⚠ ADDITIONAL	INSTALLATION SHOULD ONLY BE PERFORMED BY A CERTIFIED ELECTRICIAN
i ATTENTION	REFER TO LOCAL/NATIONAL CODES FOR PROPER INSTALLATION
⚡ POWER ON	FAILURE TO FOLLOW INSTALLATION INSTRUCTION MAY VOID THE WARRANTY
⚡ POWER OFF	DO NOT TOUCH LEDS. LEDS MUST BE PROTECTED FROM MECHANICAL STRESS OR DEBRIS
	TURN OFF POWER DURING INSTALLATION OR SERVICING

1 FIXTURE MOUNTING



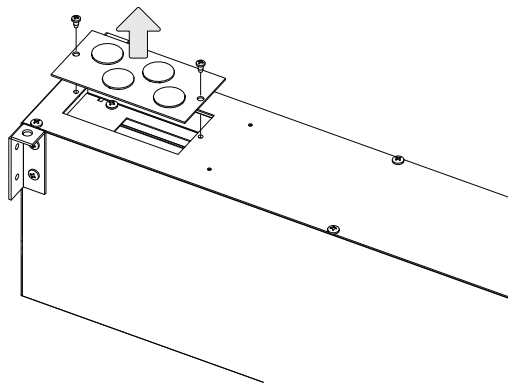
- LUMINAIRE MUST BE INSTALLED PRIOR TO INSTALLING CEILING
- ATTACH FIXTURE TO CEILING WITH 1/4-20 RODS OR SUSPENSION CABLES (BY OTHERS)

2 CONNECT SECTIONS



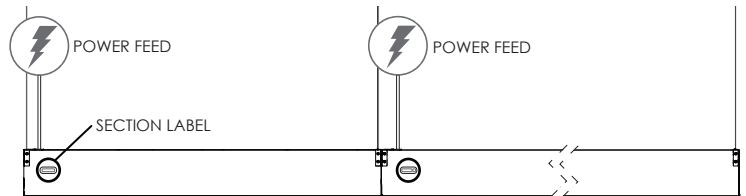
- ALIGN SECTIONS WITH JOINING PINS
- SECURE SECTIONS TOGETHER BY FASTENING THE MOUNTING BRACKETS WITH 8-32 SCREWS AND NUTS (BY OTHERS)

3 ELECTRICAL CONNECTIONS



- REMOVE ACCESS PANEL AND MAKE ALL ELECTRICAL CONNECTIONS INSIDE ELECTRICAL COMPARTMENT

4 POWERING & ARRANGING SECTIONS

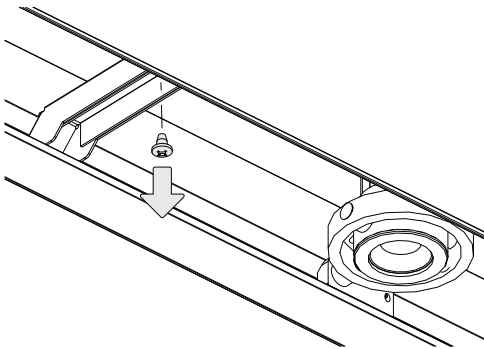


ARRANGE SECTIONS BY CORRECTLY ORDERING LABELS

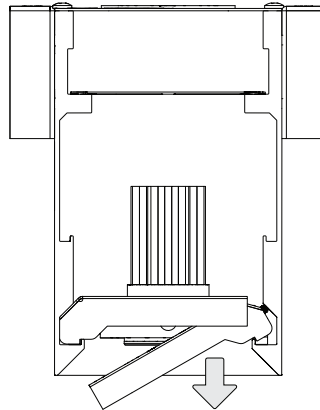
- EACH SECTION MUST BE INDIVIDUALLY POWERED

5 SPACER REMOVAL

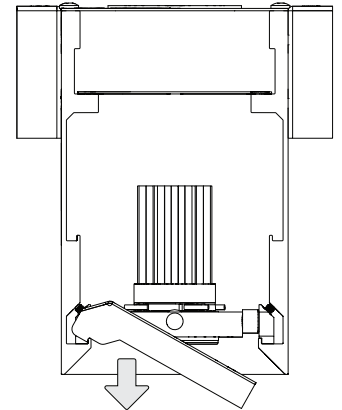
⚠ TO AVOID PAINT SCRATCHING, DO NOT TWIST SPACER



- AFTER FIXTURE IS INSTALLED REMOVE SCREW FROM SPACER ASSEMBLY

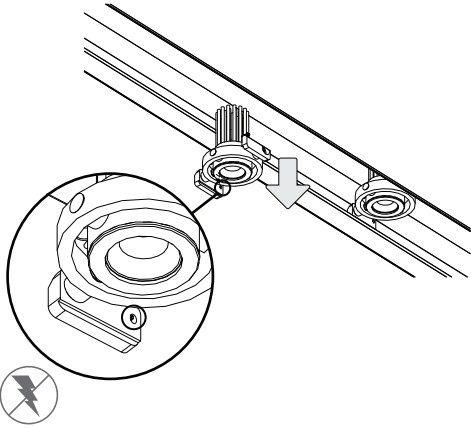


- REMOVE INNER SPACER SECTION

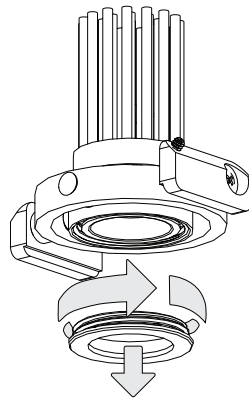


- REMOVE OUTER SPACER SECTION

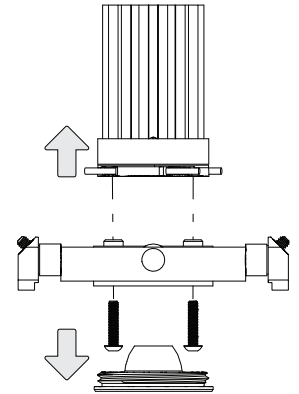
6 LED SERVICING



-LOOSEN SET SCREWS AND REMOVE GIMBAL ASSEMBLY FROM HOUSING

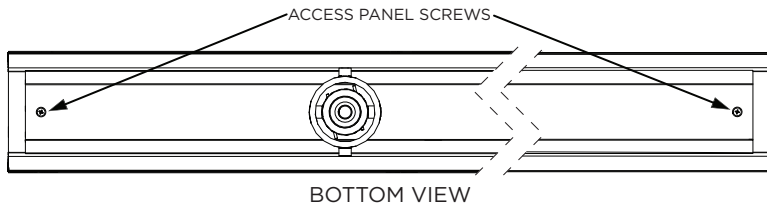


-UNSCREW FACEPLATE FROM GIMBAL ASSEMBLY

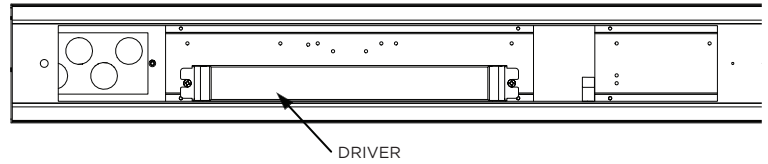


-REMOVE MOUNTING SCREWS, REPLACE LED AND REASSEMBLE GIMBAL

7 DRIVER SERVICING



-REMOVE GIMBAL
-REMOVE ACCESS PANEL FROM HOUSING



-DRIVER IS LOCATED UNDER ACCESS PANEL
-ONCE DRIVER IS REPLACED, REATTACH ACCESS PANEL & GIMBAL TO HOUSING