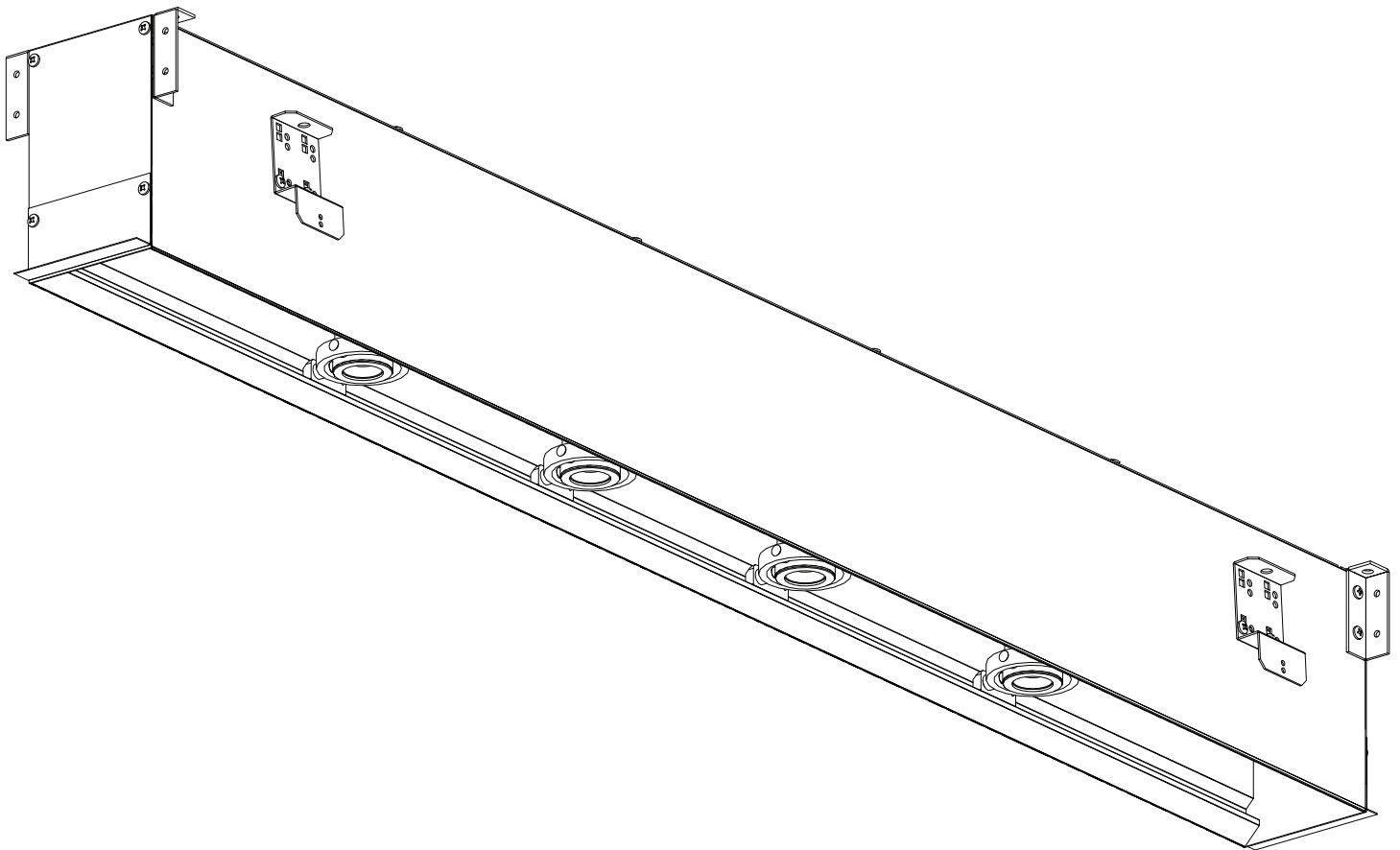
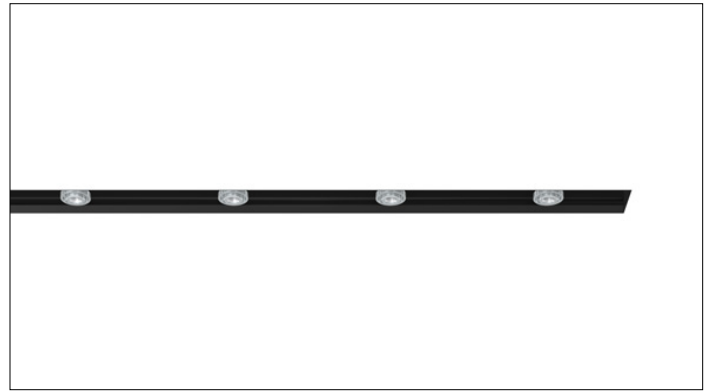


**3.8" RECESSED
MADISON SLOT**

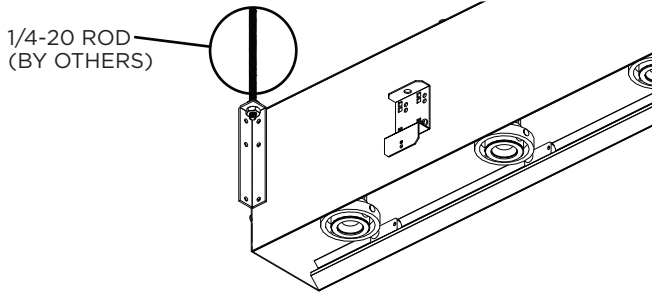
GRID CEILING



⚠ FOR NEW CONSTRUCTION INSTALLATION ONLY

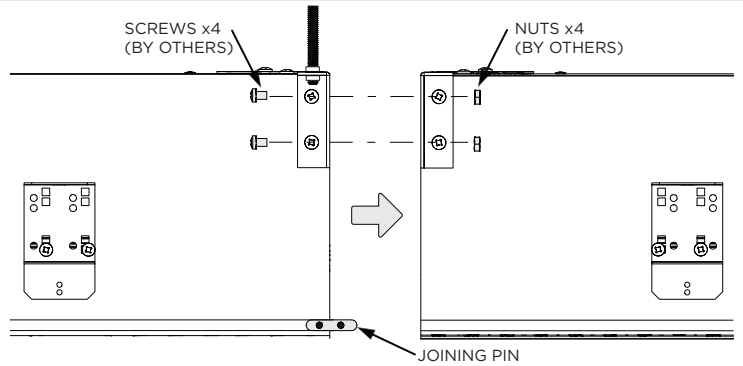
INSTRUCTION KEY	INFORMATION
⚠ ADDITIONAL	INSTALLATION SHOULD ONLY BE PERFORMED BY A CERTIFIED ELECTRICIAN
i ATTENTION	REFER TO LOCAL/NATIONAL CODES FOR PROPER INSTALLATION
⚡ POWER ON	FAILURE TO FOLLOW INSTALLATION INSTRUCTION MAY VOID THE WARRANTY
⚡ POWER OFF	DO NOT TOUCH LEDS. LEDS MUST BE PROTECTED FROM MECHANICAL STRESS OR DEBRIS TURN OFF POWER DURING INSTALLATION OR SERVICING

1 FIXTURE MOUNTING



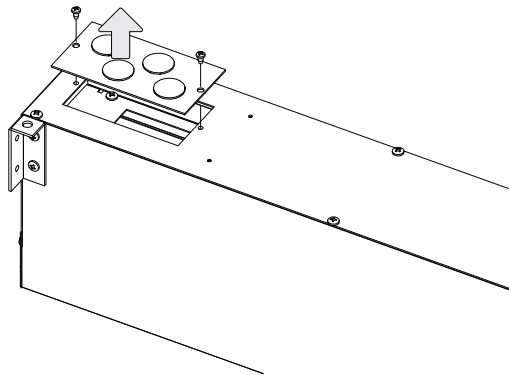
- LUMINAIRE MUST BE INSTALLED PRIOR TO INSTALLING CEILING
- ATTACH FIXTURE TO CEILING WITH 1/4-20 RODS OR SUSPENSION CABLES (BY OTHERS)

2 CONNECT SECTIONS



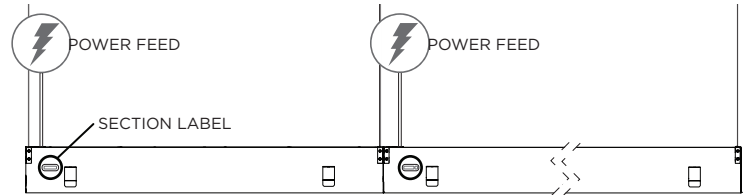
- ALIGN SECTIONS WITH JOINING PINS
- SECURE SECTIONS TOGETHER BY FASTENING THE MOUNTING BRACKETS WITH 8-32 SCREWS AND NUTS (BY OTHERS)

3 ELECTRICAL CONNECTIONS



- REMOVE ACCESS PANEL AND MAKE ALL ELECTRICAL CONNECTIONS INSIDE ELECTRICAL COMPARTMENT

4 POWERING & ARRANGING SECTIONS

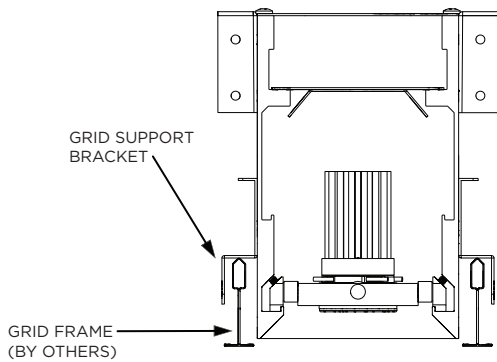


ARRANGE SECTIONS BY CORRECTLY ORDERING LABELS



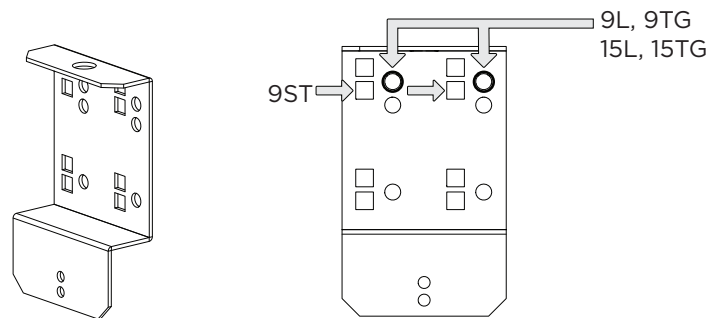
- EACH SECTION MUST BE INDIVIDUALLY POWERED

5 SECURE TO CEILING



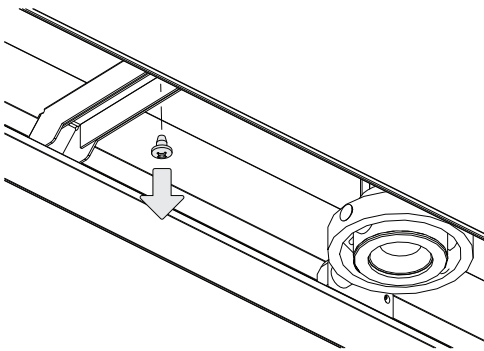
- SECURE FIXTURE TO CEILING BY RESTING GRID SUPPORT BRACKETS ON GRID FRAME

UNIVERSAL MOUNTING BRACKET USED FOR ALL
GRID CEILING TYPES

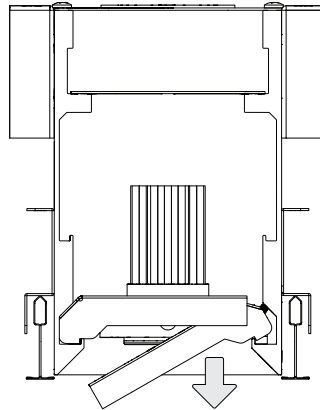


6 SPACER REMOVAL

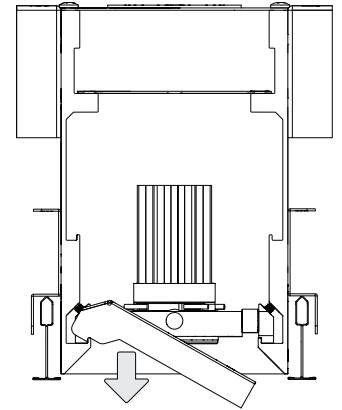
⚠ TO AVOID PAINT SCRATCHING, DO NOT TWIST SPACER



-AFTER FIXTURE IS INSTALLED
REMOVE SCREW FROM SPACER ASSEMBLY

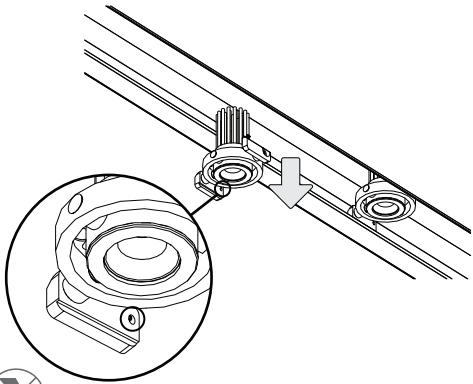


-REMOVE INNER SPACER SECTION

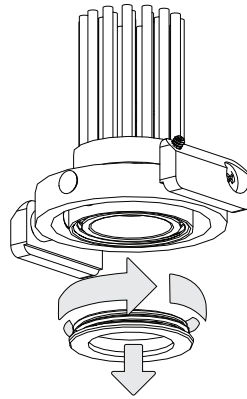


-REMOVE OUTER SPACER SECTION

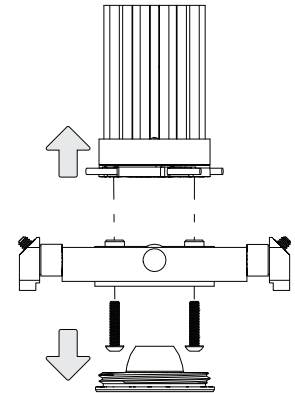
7 LED SERVICING



⚡ -LOOSEN SET SCREWS AND
REMOVE GIMBAL ASSEMBLY FROM HOUSING

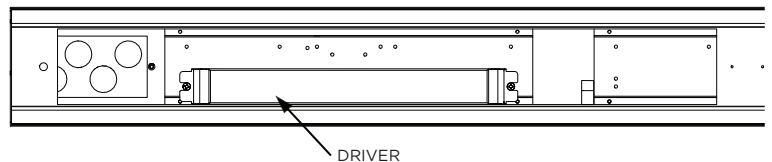
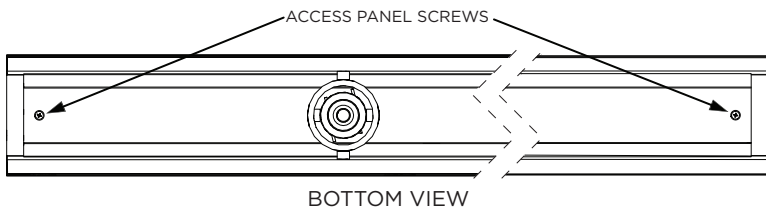


-UNSCREW FACEPLATE FROM
GIMBAL ASSEMBLY



-REMOVE MOUNTING SCREWS,
REPLACE LED AND REASSEMBLE GIMBAL

8 DRIVER SERVICING



⚡ -REMOVE GIMBAL
-REMOVE ACCESS PANEL FROM HOUSING

-DRIVER IS LOCATED UNDER ACCESS PANEL
-ONCE DRIVER IS REPLACED, REATTACH
ACCESS PANEL & GIMBAL TO HOUSING