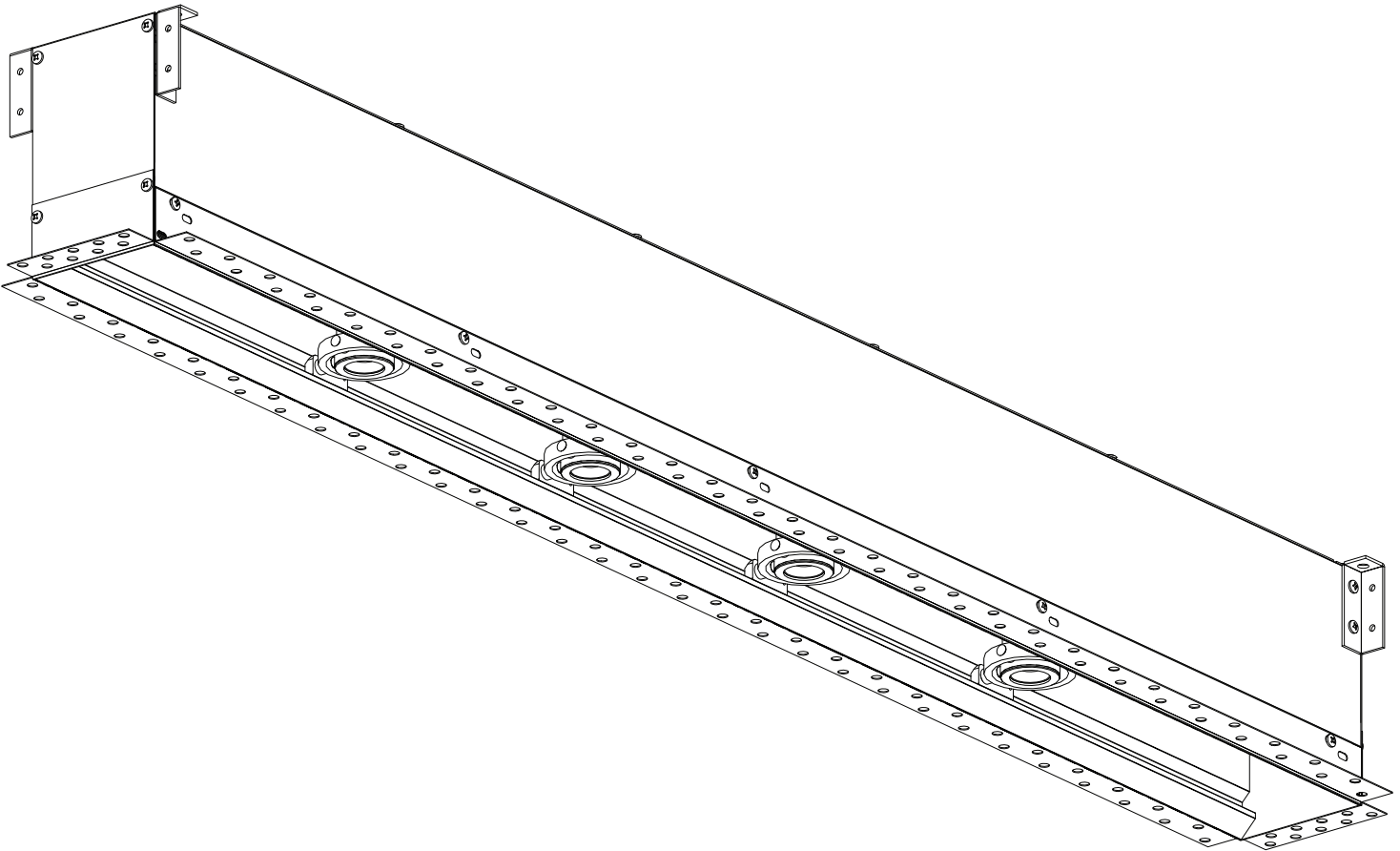
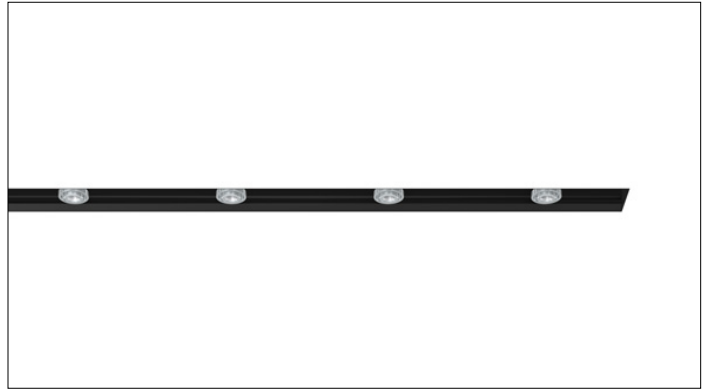


**3.8" RECESSED
MADISON SLOT**

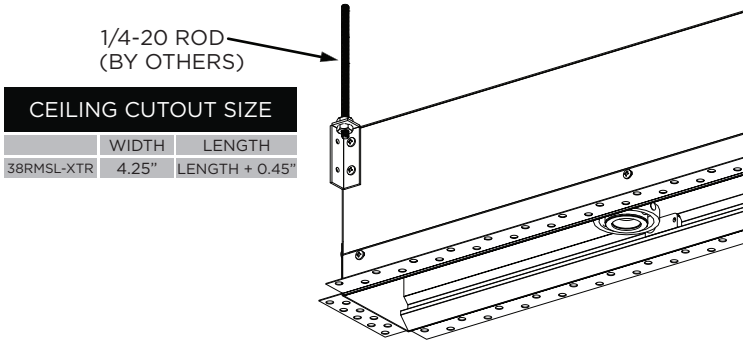
TRIMLESS



⚠ FOR NEW CONSTRUCTION INSTALLATION ONLY

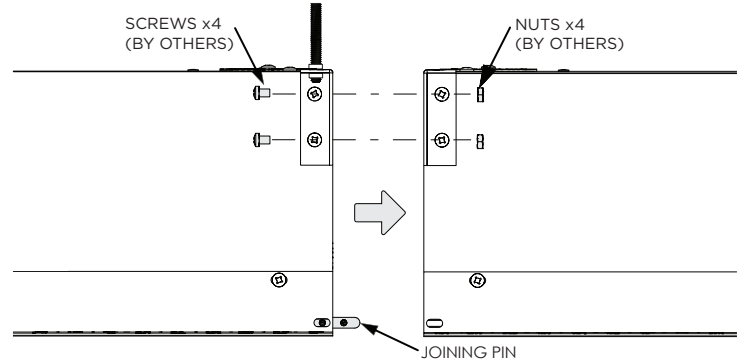
INSTRUCTION KEY	INFORMATION
⚠ ADDITIONAL	INSTALLATION SHOULD ONLY BE PERFORMED BY A CERTIFIED ELECTRICIAN
i ATTENTION	REFER TO LOCAL/NATIONAL CODES FOR PROPER INSTALLATION
⚡ POWER ON	FAILURE TO FOLLOW INSTALLATION INSTRUCTION MAY VOID THE WARRANTY
⚡ POWER OFF	DO NOT TOUCH LEDS. LEDS MUST BE PROTECTED FROM MECHANICAL STRESS OR DEBRIS
	TURN OFF POWER DURING INSTALLATION OR SERVICING

1 FIXTURE MOUNTING



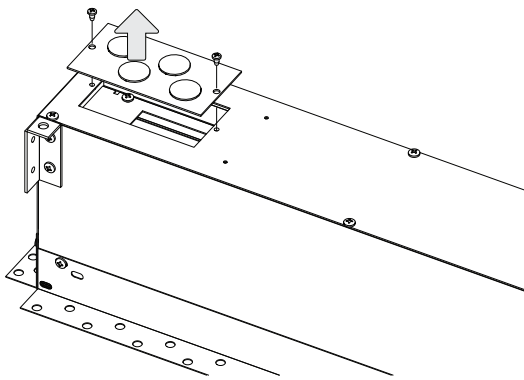
- LUMINAIRE MUST BE INSTALLED PRIOR TO INSTALLING CEILING
- ATTACH FIXTURE TO CEILING WITH 1/4-20 RODS OR SUSPENSION CABLES (BY OTHERS)

2 CONNECT SECTIONS



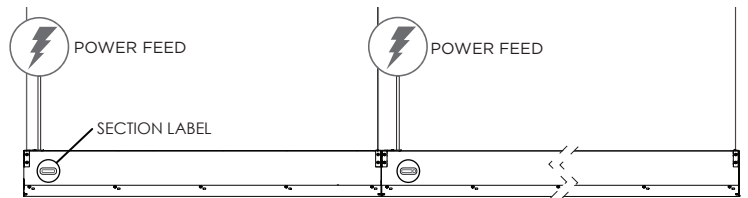
- ALIGN SECTIONS WITH JOINING PINS
- SECURE SECTIONS TOGETHER BY FASTENING THE MOUNTING BRACKETS WITH 8-32 SCREWS AND NUTS (BY OTHERS)

3 ELECTRICAL CONNECTIONS



- REMOVE ACCESS PANEL AND MAKE ALL ELECTRICAL CONNECTIONS INSIDE ELECTRICAL COMPARTMENT

4 POWERING & ARRANGING SECTIONS

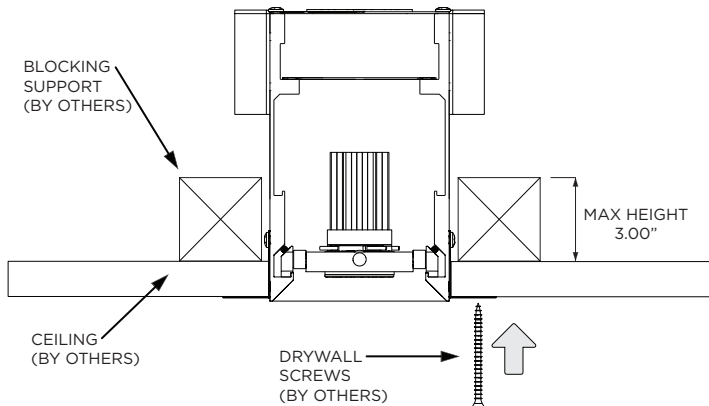


ARRANGE SECTIONS BY CORRECTLY ORDERING LABELS



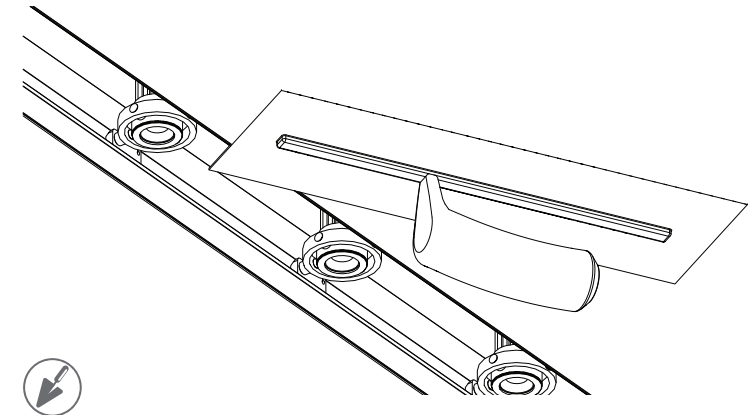
- EACH SECTION MUST BE INDIVIDUALLY POWERED

5 SECURE TO CEILING



- SECURE FIXTURE TO CEILING USING BLOCKING SUPPORT (BY OTHERS) AND DRYWALL SCREWS (BY OTHERS)

6 FINISH CEILING

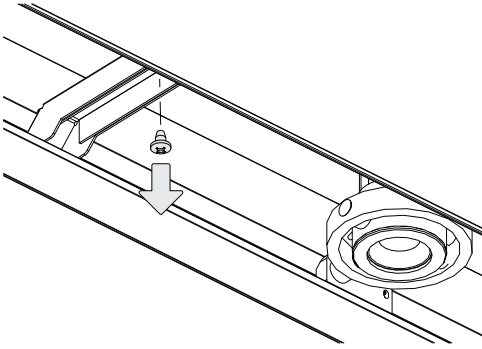


- APPLY MUDDING COMPOUND OVER MUDDING FLANGE AND FINISH CEILING

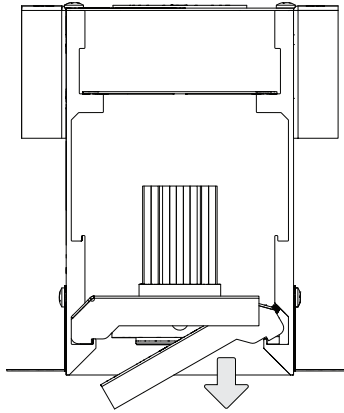
7 SPACER REMOVAL



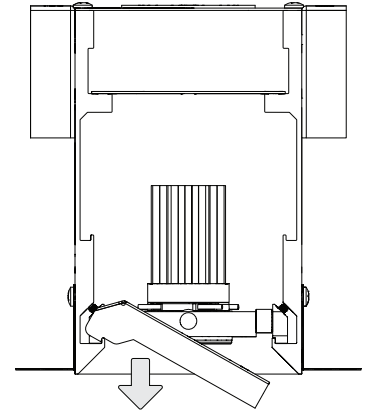
TO AVOID PAINT SCRATCHING, DO NOT TWIST SPACER



-AFTER FIXTURE IS INSTALLED
REMOVE SCREW FROM SPACER ASSEMBLY

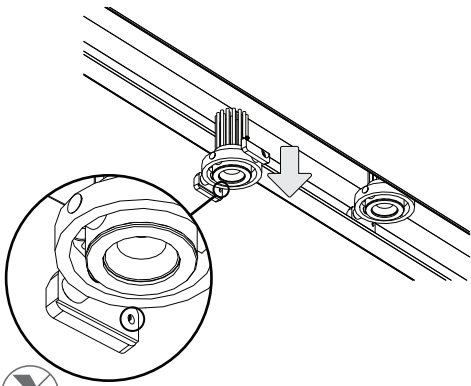


-REMOVE INNER SPACER SECTION

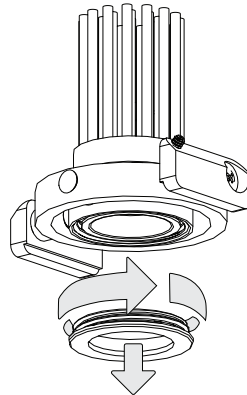


-REMOVE OUTER SPACER SECTION

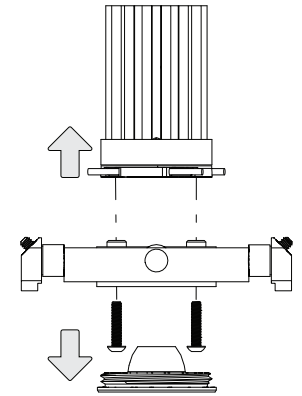
8 LED SERVICING



-LOOSEN SET SCREWS AND
REMOVE GIMBAL ASSEMBLY FROM HOUSING

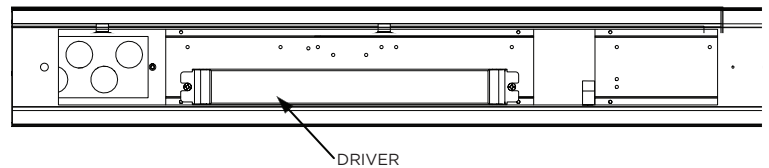
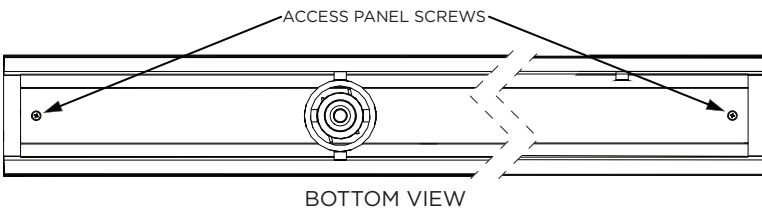


-UNSCREW FACEPLATE FROM
GIMBAL ASSEMBLY



-REMOVE MOUNTING SCREWS,
REPLACE LED AND REASSEMBLE GIMBAL

9 DRIVER SERVICING



-REMOVE GIMBAL
-REMOVE ACCESS PANEL FROM HOUSING

-DRIVER IS LOCATED UNDER ACCESS PANEL
-ONCE DRIVER IS REPLACED, REATTACH
ACCESS PANEL & GIMBAL TO HOUSING