



3G-PDL33RF70

3.3" DOWNLIGHT CYLINDER
DEEP REGRESS
7" AND 11" HEIGHT

3.3" diameter high performance cylinders
Companion to 3G-DL33RF70 downlight family
Extruded aluminum housing with powder coated finish
Regressed LED source for enhanced glare control
Lumen range up to 3000lm (80+, 90+, and 97+ CRI options)
1% dimming standard with several integral driver options



AVAILABLE Q3

ORDERING INFORMATION

PROJECT:	<input type="text"/>	TYPE:	<input type="text"/>
CATALOG #:	<input type="text"/>	DATE:	<input type="text"/>

CAT. NO	FIXTURE HEIGHT	LUMEN OUTPUT	CRI	COLOR TEMP	BEAM ANGLE
3G-PDL33RF70	7H - 7" HEIGHT*	10 - 1000 LUMENS	S80 - 80+ CRI	27K - 2700K	10D - 10° ²
	11H - 11" HEIGHT	15 - 1500 LUMENS	H90 - 90+ CRI	30K - 3000K	20D - 20°
		22 - 2200 LUMENS	H97 - 97+ CRI ¹	35K - 3500K	40D - 40°
		30 - 3000 LUMENS		40K - 4000K	60D - 60°
	*7H available up to 1500lm with integral driver (DIM & LE options). Select remote driver option for higher lumen outputs				85D - 85°

VOLTAGE	DRIVER	HOUSING FINISH	INSERT FINISH
UNV - 120/277V	DIM - 0-10V (STANDARD 100-1%)	WH - WHITE	WI - WHITE
120 - 120V	LE - PHASE DIMMING ³ (TRIAC/ELV, 100-1%)	BK - BLACK	BI - BLACK
347 - 347V (0-10V ONLY)*	LTEA - LUTRON HI-LUME LTEA ³ (FWD PHASE, 100-1%)	SV - SILVER	SI - SILVER
	D01 - 0-10V (eldoLED, 100-0.1%) ⁵	CF - CUSTOM RAL COLOR	CI - CUSTOM RAL COLOR
	DALI - DALI (eldoLED, 100-1%) ^{4,5}		
	DHL2 - LUTRON HI-LUME LDE1 (1% ECOSYSTEM)		
	DMX - DMX (eldoLED, 100-0%) ⁵		
	RDIM - REMOTE 0-10 (100-1%)		
	RLE - REMOTE PHASE DIMMING (TRIAC/ELV, 100-1%)		
*Not available with 7H model	Remote drivers supplied with enclosure		

CANOPY	SUSPENSION TYPE	SUSPENSION LENGTH	OPTIONS
WCN - WHITE (STANDARD)	WC - WHITE CABLE	C60 - 60" CABLE	SF70 - SOFTENING LENS
BCN - BLACK	BC - BLACK CABLE	C120 - 120" CABLE	SB70 - SANDBLASTED LENS
SCN - SILVER	RSW - WHITE RIGID STEM	S48 - 48" STEM	LS70 - LINEAR SPREAD
CFW - WHITE CONDUIT FEED CANOPY	RSB - BLACK RIGID STEM	S96 - 96" STEM	
CFB - BLACK CONDUIT FEED CANOPY	RSS - SILVER RIGID STEM		
CFS - SILVER CONDUIT FEED CANOPY	RSC - CUSTOM RAL STEM		
		All suspension options are field cuttable	Maximum 1 optical accessory Not available with 85D reflector option

1 97+ CRI available in 30K and 35K as standard
2 20D reflector available up to 2200lm
3 Phase dimming options available in 120V only
4 DALI-2 (Type 6) provided as standard. Consult factory for DALI Type 8 option
5 3000LM option not available with D01, DALI and DMX driver options

SEPTEMBER 20, 2022

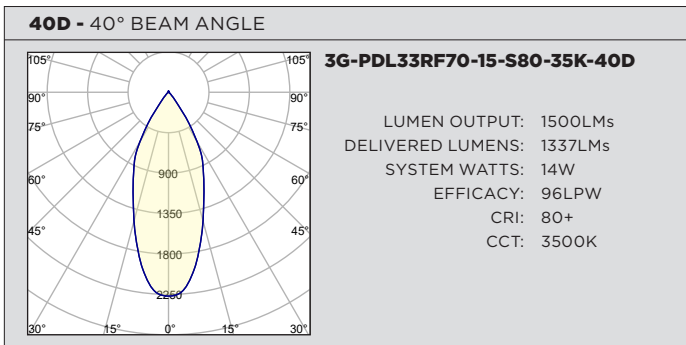
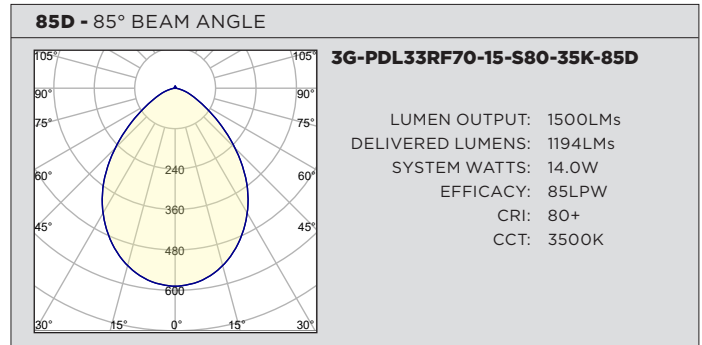
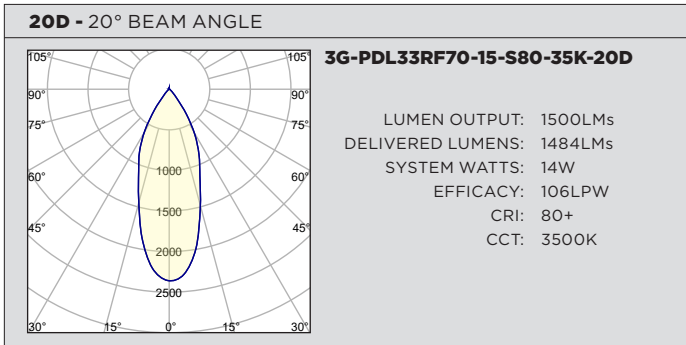
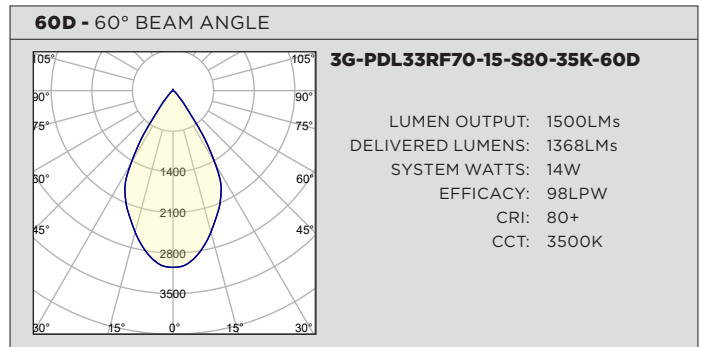
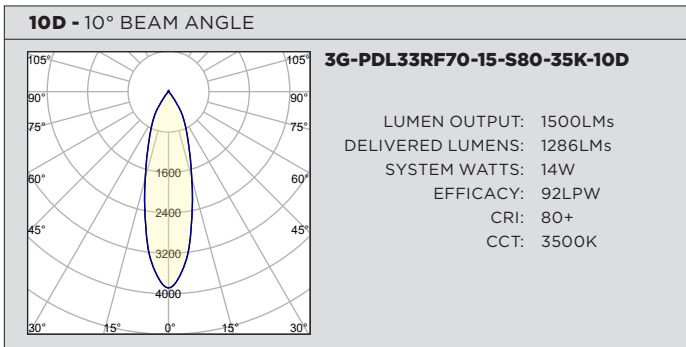


PERFORMANCE CHART BASED ON 20° BEAM ANGLE AND 3500K SOURCE

LUMEN OUTPUT	80+ CRI			90+ CRI			97+ CRI		
	DELIVERED LUMENS	SYSTEM WATTS	EFFICACY (LPW)	DELIVERED LUMENS	SYSTEM WATTS	EFFICACY (LPW)	DELIVERED LUMENS	SYSTEM WATTS	EFFICACY (LPW)
1000LMs	1081	10.3	105	951	10.3	92	818	10.3	79
1500LMs	1484	14.0	106	1306	14.0	93	1096	14.0	78
2200LMs	2197	21.9	100	1933	21.9	88	1643	21.9	75
3000LMs	2724	31.3	87	2397	31.3	77	2086	31.3	67

LUMEN OUTPUT ADJUSTMENT FACTORS	CCT	Multiplier
	2700K	0.945
	3000K	0.985
	3500K	1.00
	4000K	1.01

PHOTOMETRY



TECHNICAL**HOUSING**

Extruded aluminum housing with powder coated finish

BEVELED INSERT

3.3" aperture with regressed LED source for enhanced glare control

Cast aluminum insert with matte powder coated finish

OPTICS

Proprietary anodized, aluminum reflectors are field replaceable (10° reflector not interchangeable)

Available in 10°, 20°, 40°, 60° and 85°

ELECTRICAL

Standard 0-10V, constant current drivers with 100-1% dimming range and >0.9 power factor

Standard 120/277V universal voltage drivers. Optional 347V, 0-10V drivers

120V Forward Phase/Reverse Phase driver option with 100-1% dimming range

eldoLED 0-10V driver option available with 100-0.01% dimming range

eldoLED DALI and Lutron EcoSystem driver options available with 100-1% dimming range

DMX driver option available with 100-0% dimming range

Integral drivers are easily accessible through fixture aperture

7" models include 0-10V drivers that operate only with dimmers that sink current (not designed for source current)

Compatible 0-10V dimmers for all 7" height models listed below:

Lutron NFTV, **Lutron** DDTV , **Lutron** DVSTV, **Lutron** VIVE RMJS-8TN, **Leviton** IP710-DLZ, **Philips** SR1200ZTUNV, **Cooper** SF10P

LED SYSTEM

Citizen LED module (field replaceable)

Color consistency <2 SDCM

Standard (80+ CRI). Optional (90+ and 97+ CRI)

Available in 27K, 30K, 35K, and 40K

L90 >50,000 hours

5 Year Warranty

MOUNTING

1/2" diameter rigid stem option with sloped ceiling adapter (field cuttable)

Standard, 18-gauge, 5 conductor single circuit braided power feed (black and white finish)

All hardware included for mounting to 4" octagonal junction box

Canopy provided in white finish as standard

Conduit feed cut-out canopy option designed to mount to 4" octagonal junction box

LISTING

ETL listed and conforms to UL1598 standard. Certified to CSA22.2 NO.250.0. Rated for indoor dry or damp locations

WARRANTY

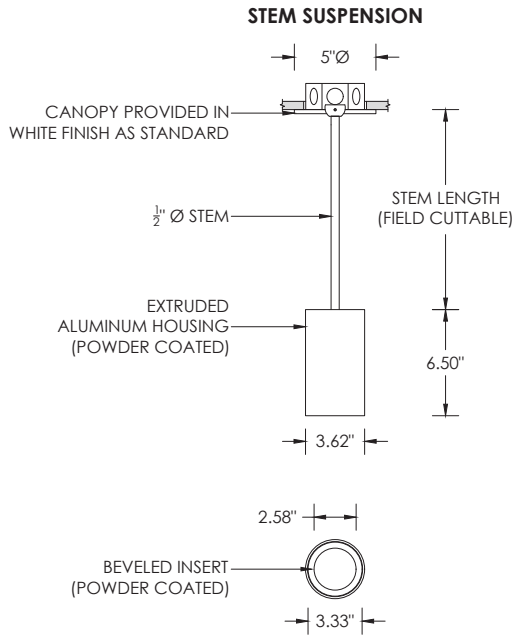
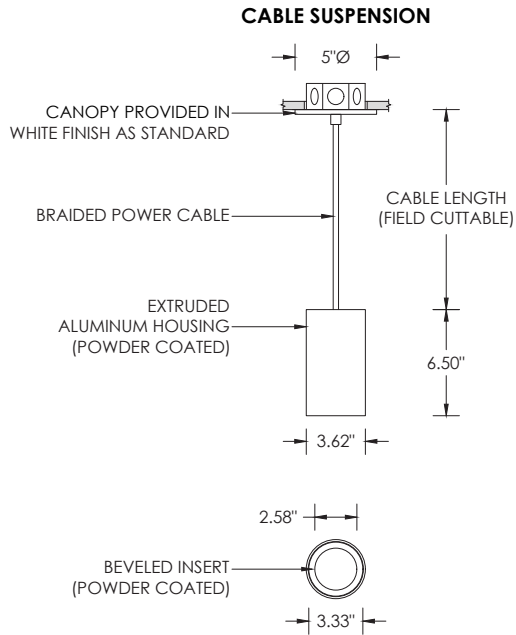
5 Year Warranty on LED and drivers

Manufacturer 1 Year Warranty for defects in material and workmanship under normal use

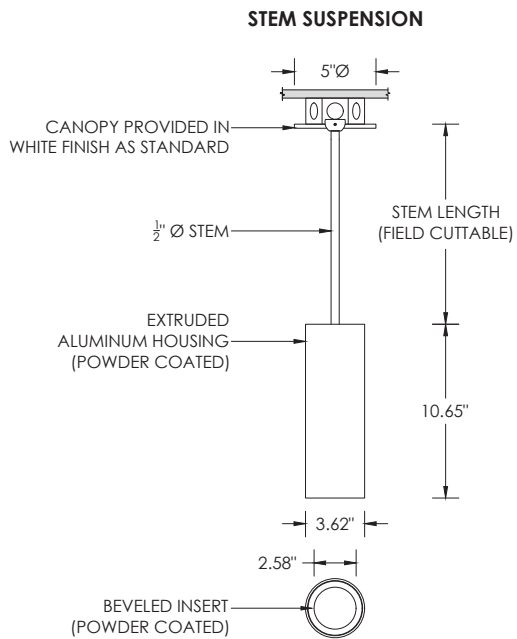
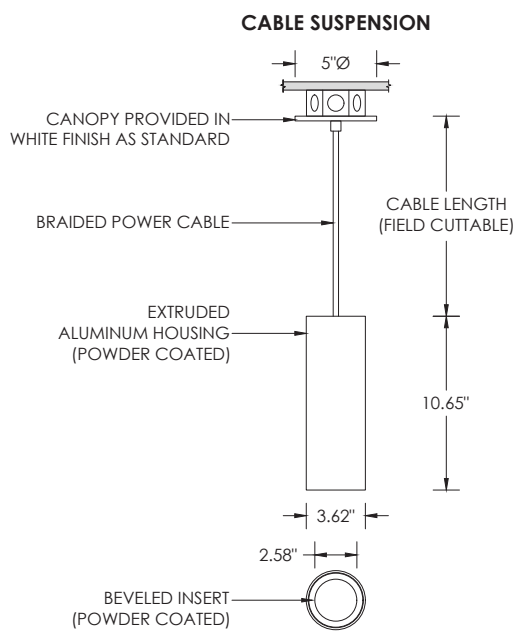
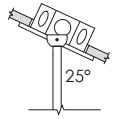
Ambient temperature at fixture should not exceed 25°C

DRAWINGS AND DIMENSIONS

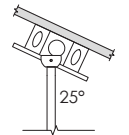
**RECESSED 4" OCTAGONAL JUNCTION BOX BY OTHERS
STANDARD CANOPY MOUNT**



SUITABLE FOR SLOPED CEILING



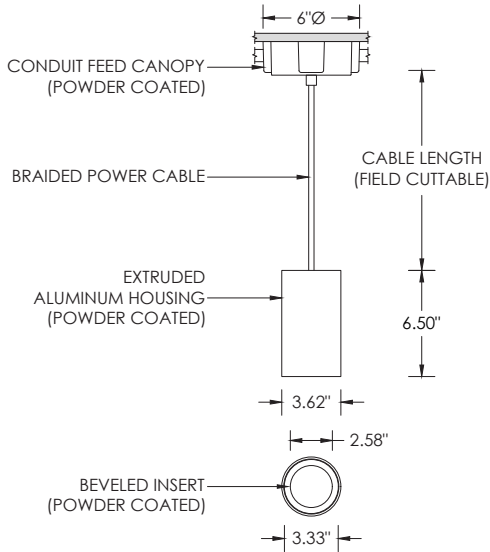
SUITABLE FOR SLOPED CEILING



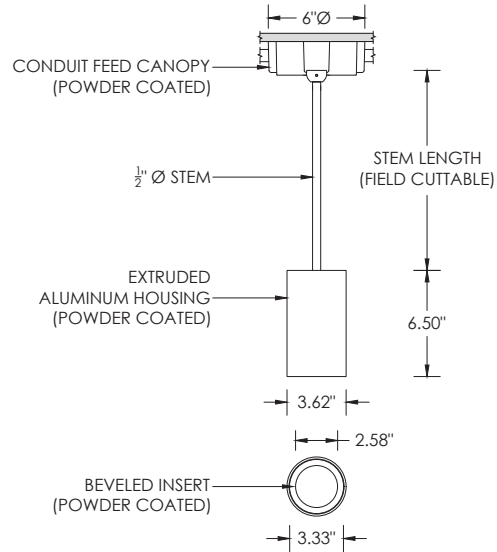
DRAWINGS AND DIMENSIONS

**SURFACE 4" OCTAGONAL X 1.5" DEEP JUNCTION BOX BY OTHERS
CONDUIT FEED CANOPY MOUNT (CFX OPTION)**

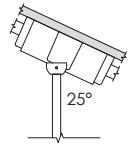
CABLE SUSPENSION



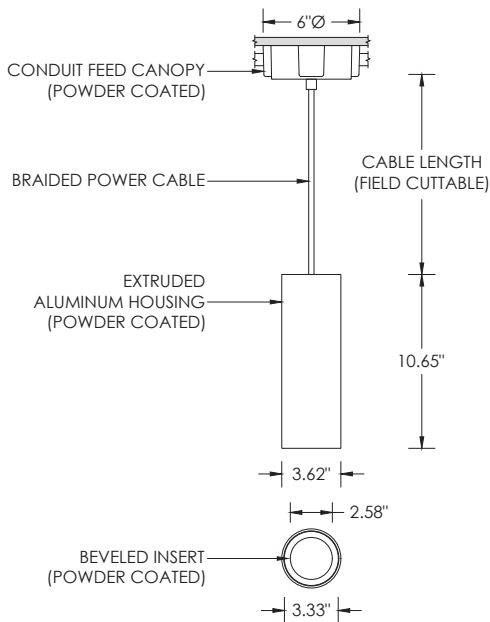
STEM SUSPENSION



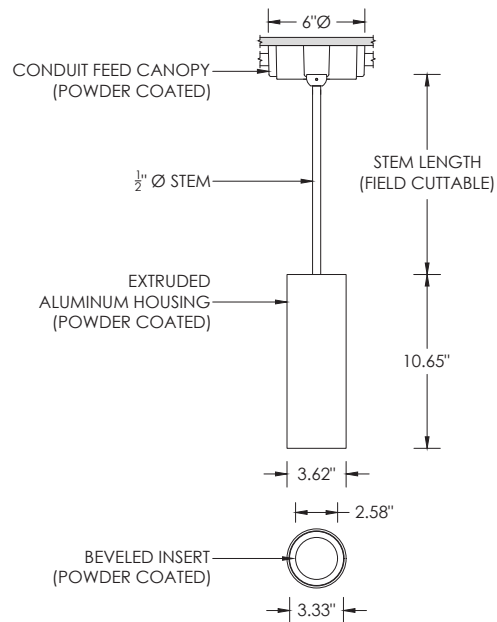
**SUITABLE FOR
SLOPED CEILING**



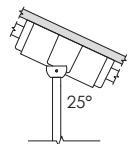
CABLE SUSPENSION



STEM SUSPENSION

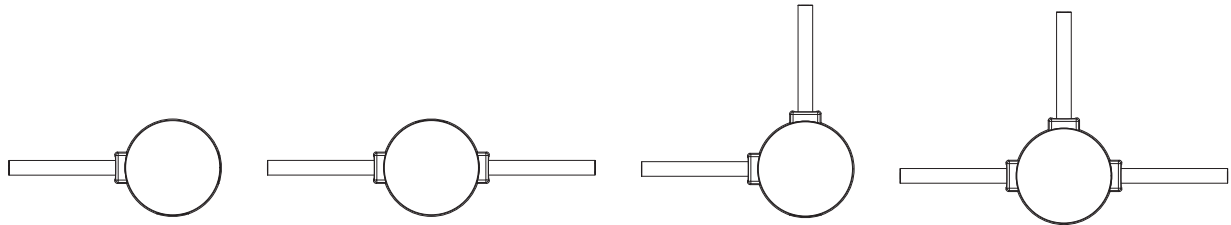


**SUITABLE FOR
SLOPED CEILING**

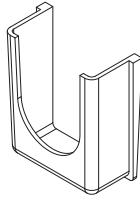


DRAWINGS AND DIMENSIONS

CONDUIT FEED CANOPY MOUNTING OPTIONS



CONDUIT COVER
3 PROVIDED WITH EACH
CONDUIT FEED CANOPY



BLANK
2 PROVIDED WITH EACH
CONDUIT FEED CANOPY

