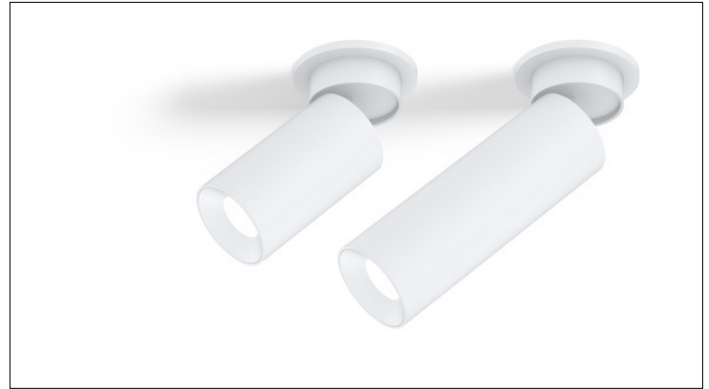


3G LIGHTING

3G-SDL33RA

3.3" ADJUSTABLE DOWNLIGHT
CYLINDER 7" AND 11" HEIGHT

3.3" diameter, adjustable cylinder with upgraded performance
Proprietary swivel mechanism with 0-90° tilt and 360° rotation
Standard 95+ CRI LED system with performance up to 135 LPW
Delivered lumen range up to 2000lm at 95+ CRI
Regressed LED source with enhanced glare control
20° to 90° beam angle options suitable for various applications
Companion to 3G's DL33R series downlight family



PROJECT:		TYPE:	
CATALOG#:		DATE:	QTY:

CAT. NO	FIXTURE HEIGHT	LUMEN OUTPUT	CRI	COLOR TEMP	BEAM ANGLE
3G-SDL33RA	7H - 7" HEIGHT * 11H - 11" HEIGHT	10 - 1000 LUMENS 13 - 1350 LUMENS 17 - 1750 LUMENS 20 - 2000 LUMENS	H95 - 95+ CRI	27K - 2700K 30K - 3000K 35K - 3500K 40K - 4000K	20D - 20° ¹ 40D - 40° 60D - 60° 90D - 90° *
	<small>*7H available up to 1350lm with integral driver (DIM & LE options)</small>	<small>All lumen outputs are delivered lumens at 95+ CRI</small>			<small>*90D optic supplied with lens Not available with other lens options</small>

VOLTAGE	DRIVER	HOUSING FINISH	INSERT FINISH
UNV - 120/277V 120 - 120V 347 - 347V ²	DIM - 0-10V (100-1%) LE - PHASE DIM ³ (TRIAC/ELV, 100-1%) D01 - 0-10V (100-0.1%) DALI - DALI (100-1%) ⁴ DMX - DMX (100-0%) DHL2 - LUTRON HI-LUME LDE1 (1% ECOSYSTEM) RDIM - REMOTE 0-10 (100-1%) RLE - REMOTE PHASE DIM (TRIAC/ELV, 100-1%)	WH - WHITE BK - BLACK SV - SILVER CF - CUSTOM RAL COLOR	WI - WHITE BI - BLACK SI - SILVER CI - CUSTOM RAL COLOR
<small>*Not available with 7H model</small>	<small>Remote drivers supplied with enclosure</small>		

OPTIONS
SF - SOFTENING LENS (SUPPLIED STANDARD)
SB - SANDBLASTED LENS
LS - LINEAR SPREAD LENS
CFW - WHITE CONDUIT CANOPY
CFB - BLACK CONDUIT CANOPY
CFS - SILVER CONDUIT CANOPY
FXC - SEAMLESS CANOPY OPTION
EMR - REMOTE EMERGENCY BATTERY ⁵
<small>*Softening lens not provided with 90D optic Maximum 1 optical accessory</small>

****** 3G has upgraded our LED system and overall performance at no additional cost. We now offer 95+CRI as standard. All lumen outputs are delivered lumens. This upgraded LED system is more efficient than our previous 80CRI, 90CRI, and 97CRI options. Please see the last page of this spec sheet to cross-reference old lumen outputs with our new, 95+CRI lumen output options

- ¹ 20D reflector available up to 1750lm
- ² 347 available in "DIM" 0-10V and "RDIM" 0-10V only (100-1%). Not available with 7H model
- ³ Phase dimming options available in 120V only
- ⁴ DALI-2 (Type 6) provided as standard. Consult factory for DALI Type 8 option
- ⁵ Supplied with enclosure with Emergency Battery and driver. Installed remotely by others. Not accessible through fixture aperture

PERFORMANCE

LUMEN OUTPUT	DELIVERED LUMENS	SYSTEM WATTS	EFFICACY (LPW)
1000	1000	9.2	109
1350	1350	13.0	104
1750	1750	16.9	103
2000	2000	19.5	103

BASED ON 95+ CRI, 3500K, 40D OPTIC WITH SOFTENING LENS
Lumen output and actual wattage may vary +/- 5%

MULTIPLIERS

BEAM ANGLE	
20D	1.24
40D	1.00
60D	0.97
90D	0.91

COLOR TEMP	
2700K	0.98
3000K	1.00
3500K	1.00
4000K	1.02

HOUSING

Extruded aluminum housing with powder coated finish
Adjustable swivel mechanism with 0-90° tilt and 360° rotation

BEVELED INSERT

Cast aluminum beveled insert with matte powder coated finish
3.3" aperture with regressed LED source for enhanced glare control

OPTICS

Proprietary anodized, aluminum reflectors
Beam angle available in 20°, 40°, 60° and 90°
Reflectors are field replaceable (20° reflector not interchangeable)
Softening lens supplied standard

ELECTRICAL

Standard 0-10V, constant current drivers
100-1% dimming range and >0.9 power factor
Standard 120/277V universal voltage with several driver options
120V Forward Phase/Reverse Phase driver option (100-1%)
Integral drivers are easily accessible through luminaire aperture
Remote drivers supplied with enclosure

LED SYSTEM

Standard 95+ CRI
Color consistency <2 SDCM
Available in 27K, 30K, 35K, and 40K
L90 > 50,000 hours

MOUNTING

All hardware included for mounting to 4" octagonal junction box
Conduit feed cut-out canopy option designed to mount to 4" octagonal junction box
Seamless canopy option mounts to 4" octagonal junction box (new construction only)

EMERGENCY

7W output for 90 minutes (+/- 750lm at 95+ CRI). Title 24 Certified
Remote emergency battery (not accessible through fixture aperture)
Maximum remote mounting distance: 50ft (12AWG) or 25ft (14AWG)
Caution: Emergency Battery utilizes more than one power source and servicing should be performed by qualified personnel

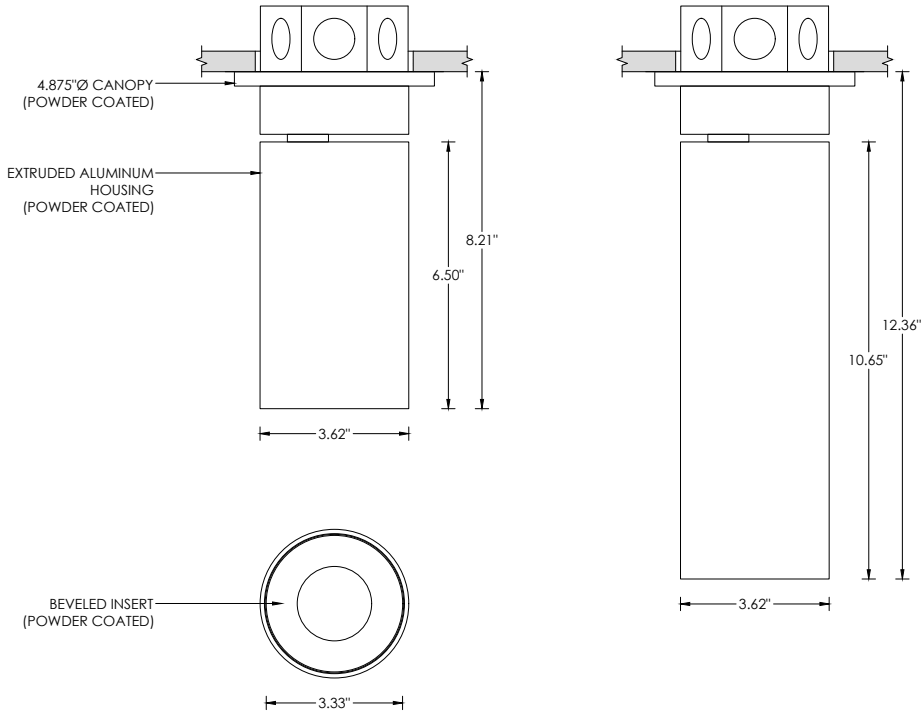
LISTING

ETL listed and conforms to UL1598 standard
Certified to CSA22.2 NO.250.0.
Rated for dry or damp locations

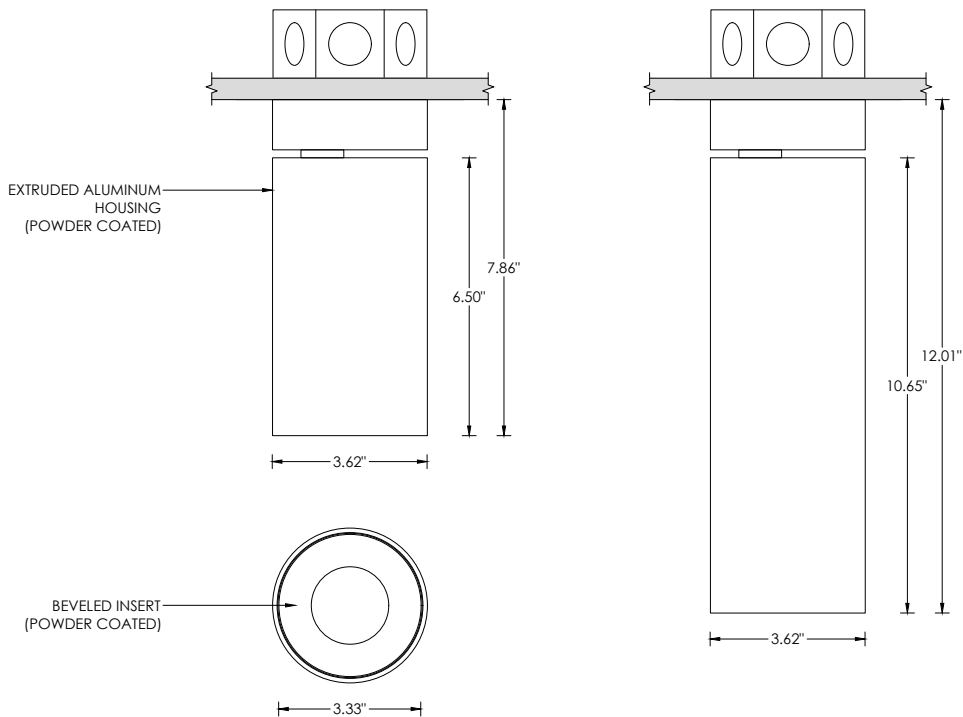
WARRANTY

5 year limited warranty
LED system rated for operation in ambient environments up to 25°C

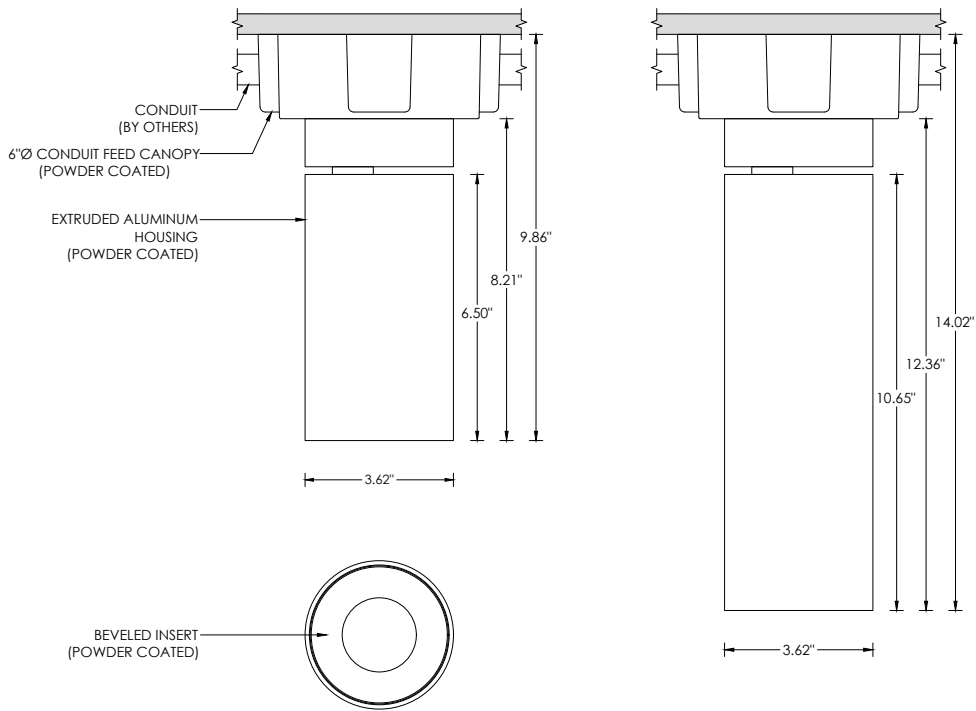
RECESSED 4" OCTAGONAL JUNCTION BOX BY OTHERS
STANDARD CANOPY MOUNT



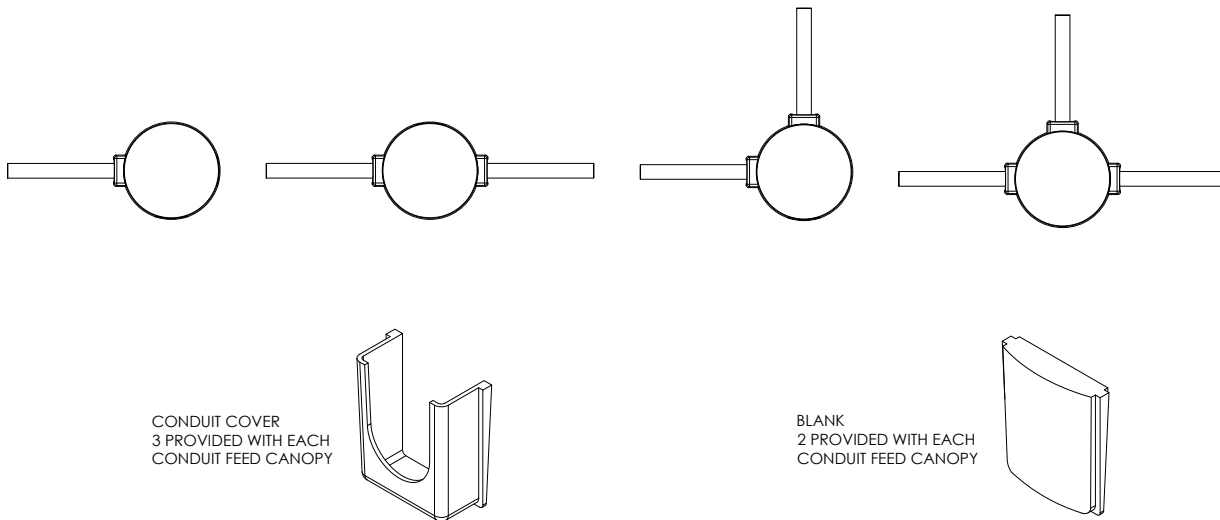
RECESSED 4" OCTAGONAL JUNCTION BOX BY OTHERS
SEAMLESS CANOPY MOUNT (FXC OPTION) FOR NEW CONSTRUCTION ONLY
MUST BE INSTALLED ABOVE CEILING MATERIAL. MAXIMUM 1" CEILING THICKNESS



SURFACE 4" OCTAGONAL X 1.5" DEEP JUNCTION BOX BY OTHERS
CONDUIT FEED CANOPY MOUNT (CFX OPTION)



CONDUIT FEED CANOPY MOUNTING OPTIONS



LUMEN OUTPUT REFERENCE CHART

3G has upgraded our LED system and overall performance at no additional cost. We now offer 95+CRI as standard. All lumen outputs are delivered lumens. This new LED system is more efficient than our previous 80CRI, 90CRI, and 97CRI options. Please use these charts to cross-reference old lumen outputs with our new, 95+CRI lumen output options

80CRI REFERENCE CHARTS

MATCH THE GRADIENT SHADE FROM THE OLD LUMEN OUTPUT CHART TO THE NEW LUMEN OUTPUT OPTION

OLD 80CRI SPECS			
LUMEN OUTPUT	DELIVERED LUMENS	SYSTEM WATTS	EFFICACY (LPW)
1000	1080	10.3	105
1500	1408	13.9	101
2200	2132	21.9	97

NEW 95+CRI SPECS			
LUMEN OUTPUT	DELIVERED LUMENS	SYSTEM WATTS	EFFICACY (LPW)
1000	1000	9.2	109
1350	1350	13.0	104
1750	1750	16.9	103
2000	2000	19.5	103

90CRI REFERENCE CHARTS

MATCH THE GRADIENT SHADE FROM THE OLD LUMEN OUTPUT CHART TO THE NEW LUMEN OUTPUT OPTION

OLD 90CRI SPECS			
LUMEN OUTPUT	DELIVERED LUMENS	SYSTEM WATTS	EFFICACY (LPW)
1000	950	10.3	92
1500	1239	13.9	89
2200	1876	21.9	86

NEW 95+CRI SPECS			
LUMEN OUTPUT	DELIVERED LUMENS	SYSTEM WATTS	EFFICACY (LPW)
1000	1000	9.2	109
1350	1350	13.0	104
1750	1750	16.9	103
2000	2000	19.5	103