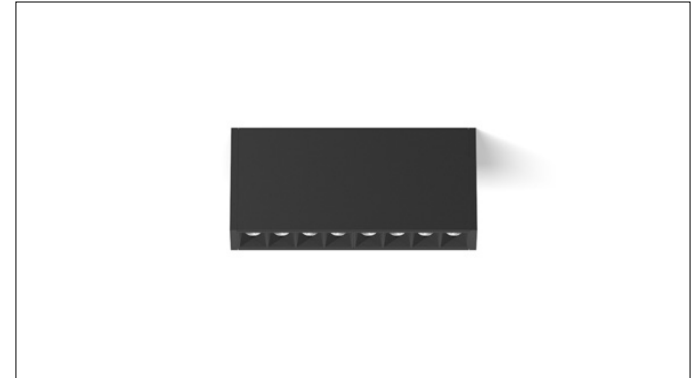


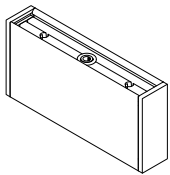


**3G-SMZ4, 3G-SMZ8, 3G-SMZ12
SURFACE ZONE**

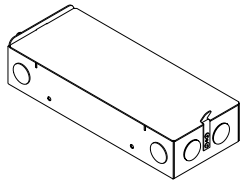


i THE IMAGES SHOWN ARE FOR ILLUSTRATION PURPOSES ONLY AND MAY NOT BE AN EXACT REPRESENTATION OF THE PRODUCT

INCLUDED COMPONENTS

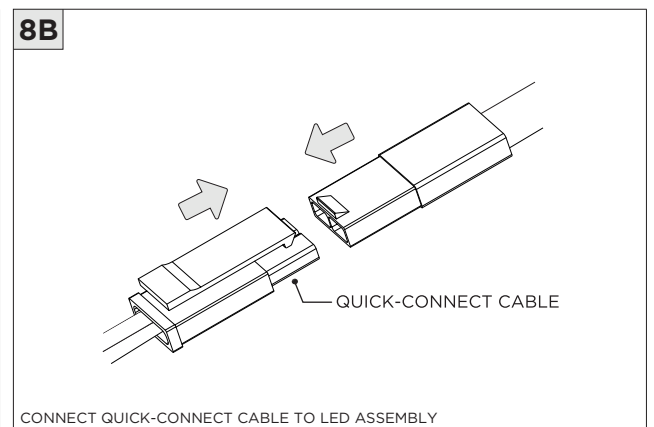
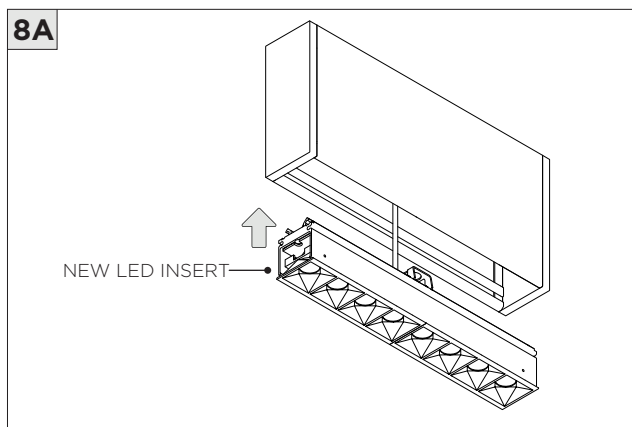
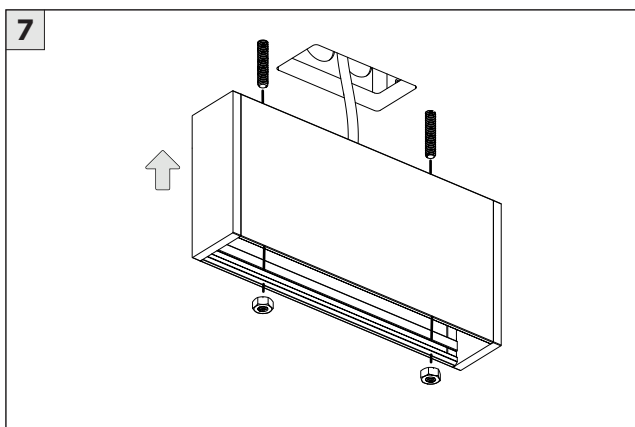
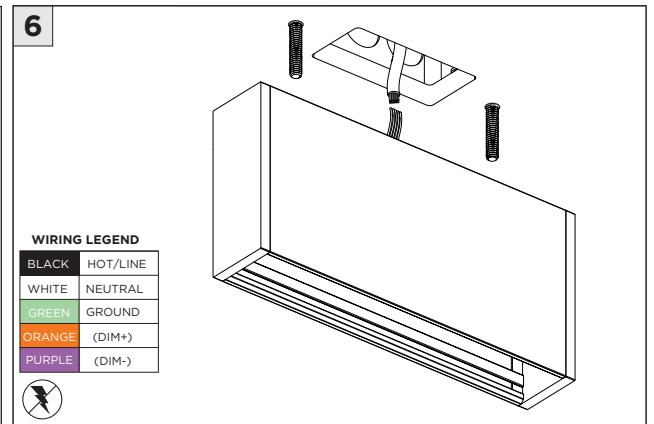
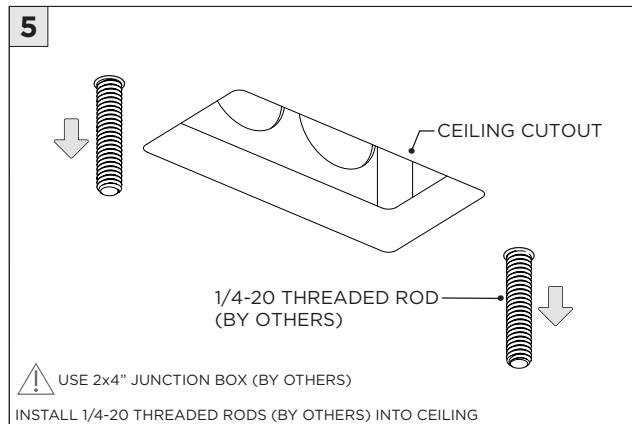
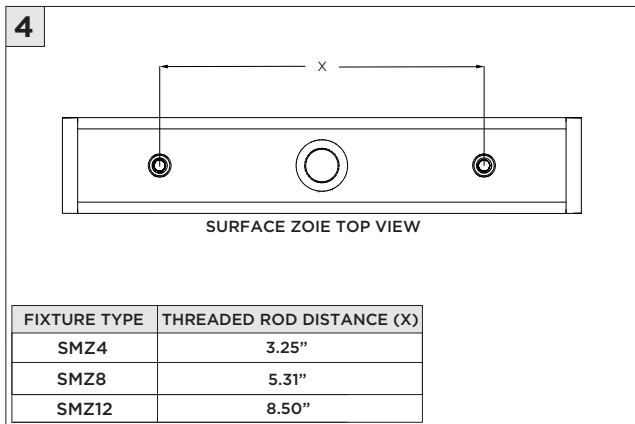
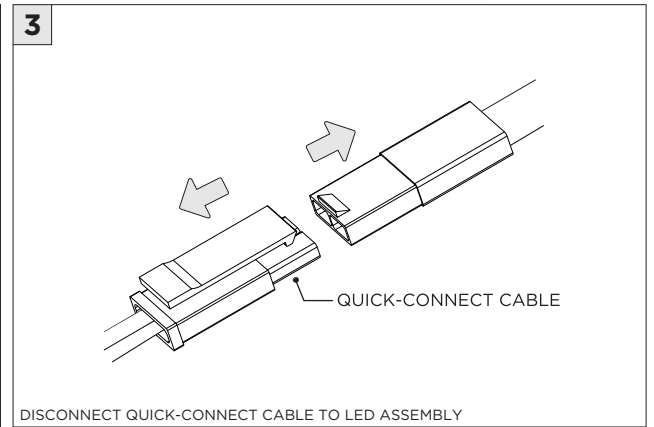
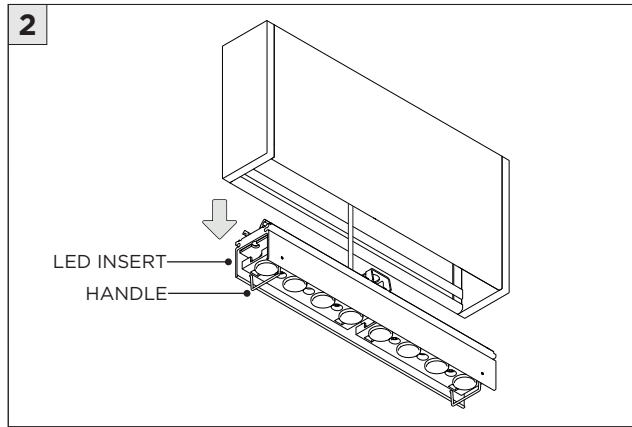
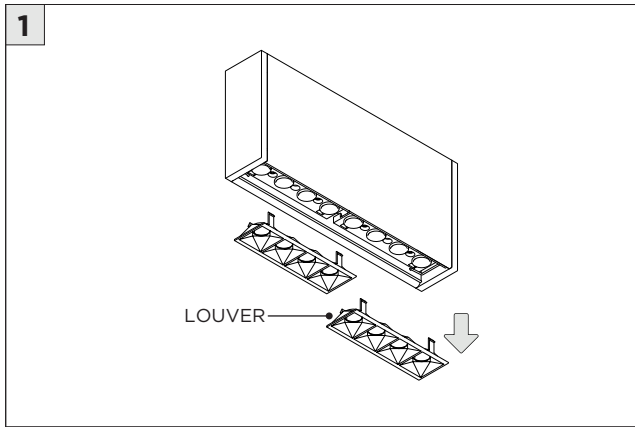


SURFACE ZONE

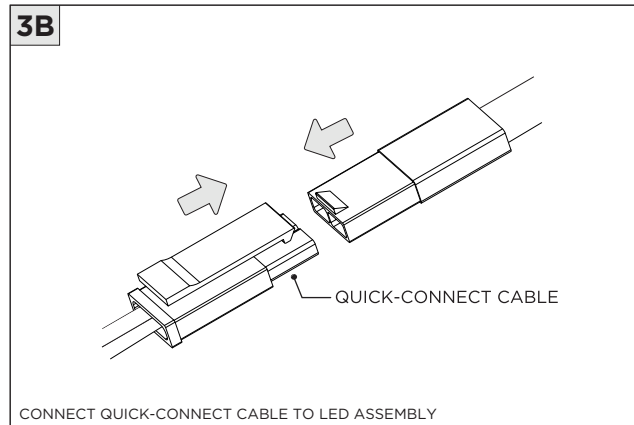
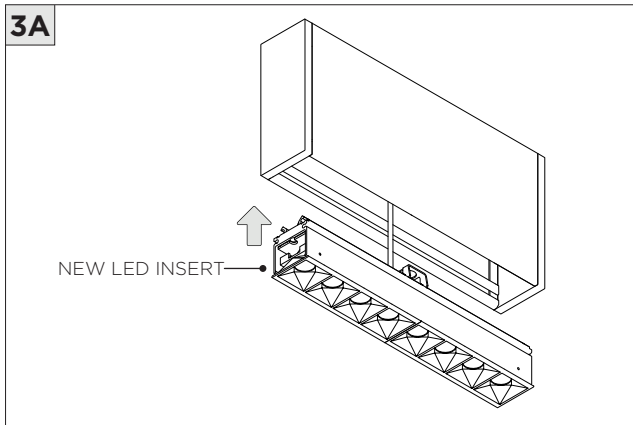
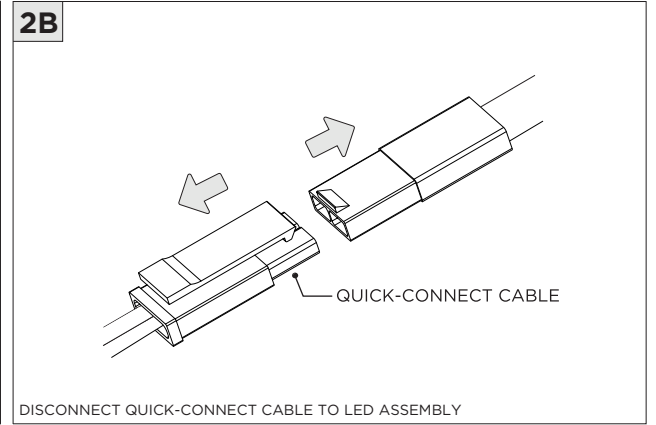
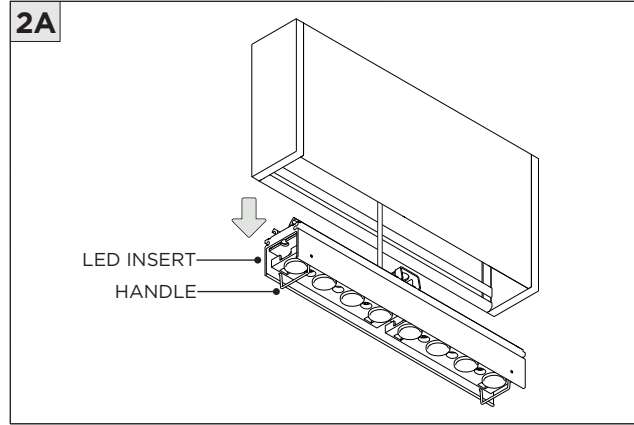
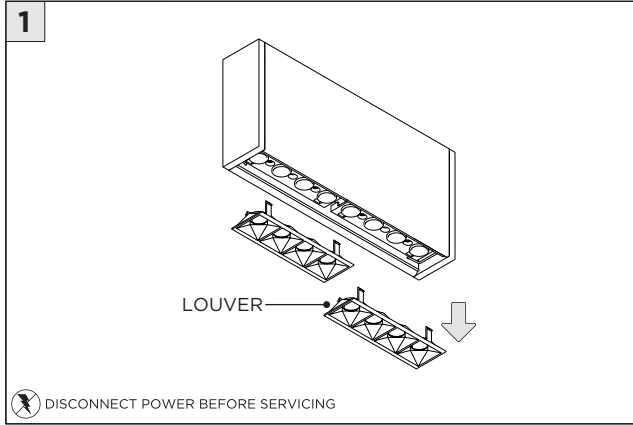


DRIVER ENCLOSURE
(IF APPLICABLE)

| INSTRUCTION KEY | INFORMATION |
|-----------------|---|
| ADDITIONAL | INSTALLATION SHOULD ONLY BE PERFORMED BY A CERTIFIED ELECTRICIAN |
| ATTENTION | REFER TO LOCAL/NATIONAL CODES FOR PROPER INSTALLATION FAILURE TO FOLLOW INSTALLATION INSTRUCTION MAY VOID THE WARRANTY |
| POWER ON | DO NOT TOUCH LEDS. LEDS MUST BE PROTECTED FROM MECHANICAL STRESS OR DEBRIS |
| POWER OFF | TURN OFF POWER DURING INSTALLATION OR SERVICING |



LED SERVICING



DRIVER SERVICING

