

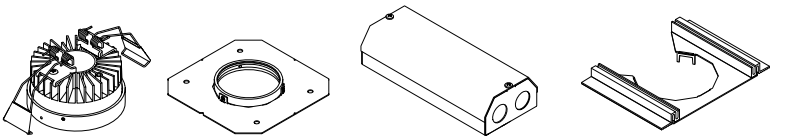
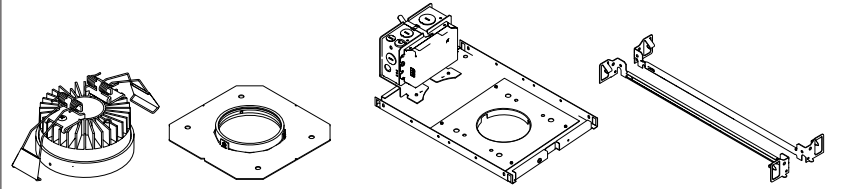
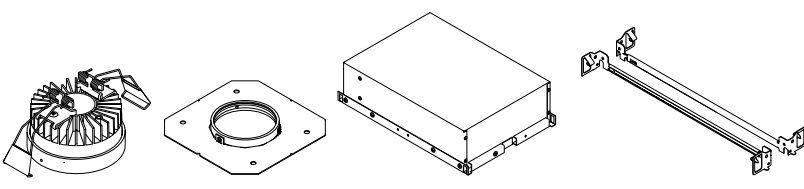
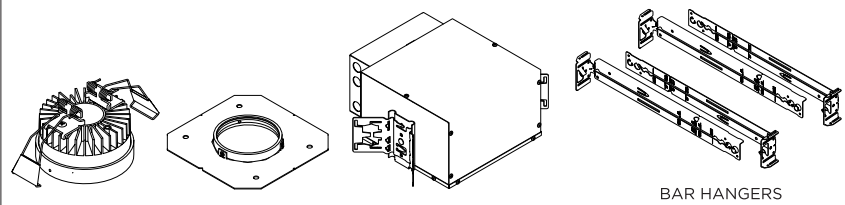


# 3.3" ROUND ZONE DOWNLIGHT

TRIMLESS



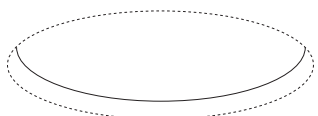
**i** THE IMAGES SHOWN ARE FOR ILLUSTRATION PURPOSES ONLY AND MAY NOT BE AN EXACT REPRESENTATION OF THE PRODUCT

INCLUDED COMPONENTS	
<p><b>RMD - REMODEL</b></p>  <p>LED INSERT    MUDDING FLANGE    DRIVER ENCLOSURE    BLOCKING SUPPORT PLATE</p>	<p><b>NCF - NEW CONSTRUCTION FRAME (FOR NEW CONSTRUCTION ONLY)</b></p>  <p>LED INSERT    MUDDING FLANGE    NEW CONSTRUCTION FRAME    BAR HANGERS</p>
<p><b>SH - SHALLOW HOUSING (FOR NEW CONSTRUCTION ONLY)</b></p>  <p>LED INSERT    MUDDING FLANGE    SHALLOW HOUSING    BAR HANGERS</p>	<p><b>NC/IC - NEW CONSTRUCTION HOUSING (FOR NEW CONSTRUCTION ONLY)</b></p>  <p>LED INSERT    MUDDING FLANGE    NEW CONSTRUCTION HOUSING    BAR HANGERS (OPTIONAL)</p>

INSTRUCTION KEY	INFORMATION
	ADDITIONAL
	ATTENTION
	POWER ON
	POWER OFF
	<p>INSTALLATION SHOULD ONLY BE PERFORMED BY A CERTIFIED ELECTRICIAN  REFER TO LOCAL/NATIONAL CODES FOR PROPER INSTALLATION  FAILURE TO FOLLOW INSTALLATION INSTRUCTION MAY VOID THE WARRANTY  DO NOT TOUCH LEDS. LEDS MUST BE PROTECTED FROM MECHANICAL STRESS OR DEBRIS  TURN OFF POWER DURING INSTALLATION OR SERVICING</p>

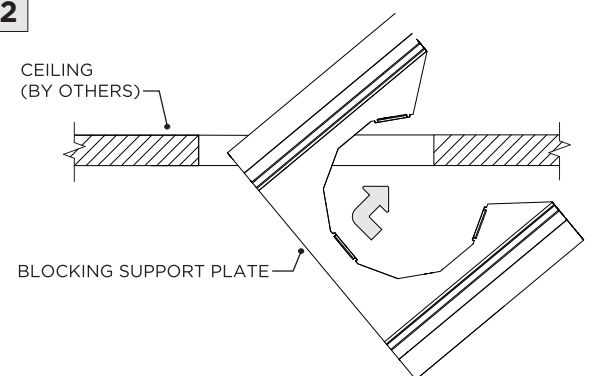
#### RMD - REMODEL

**1**



FIXTURE TYPE	CEILING HOLE SIZE
DZ33R	Ø 3.8125"
DZ45R	Ø 5.1250"

**2**

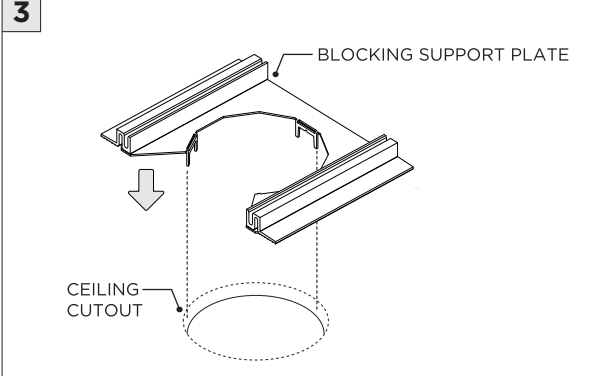


CEILING (BY OTHERS)

BLOCKING SUPPORT PLATE

ROTATE BLOCKING SUPPORT PLATE THROUGH CEILING CUTOUT

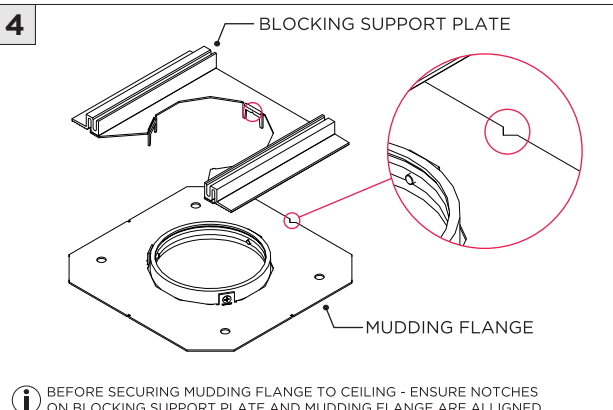
**3**



BLOCKING SUPPORT PLATE

CEILING CUTOUT

**4**

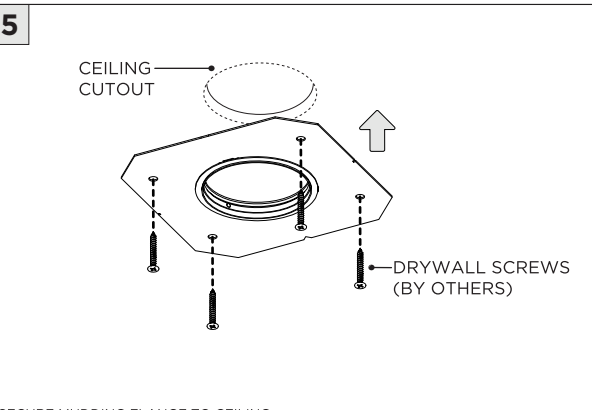


BLOCKING SUPPORT PLATE

MUDDING FLANGE

**i** BEFORE SECURING MUDDING FLANGE TO CEILING - ENSURE NOTCHES ON BLOCKING SUPPORT PLATE AND MUDDING FLANGE ARE ALLIGNED

**5**

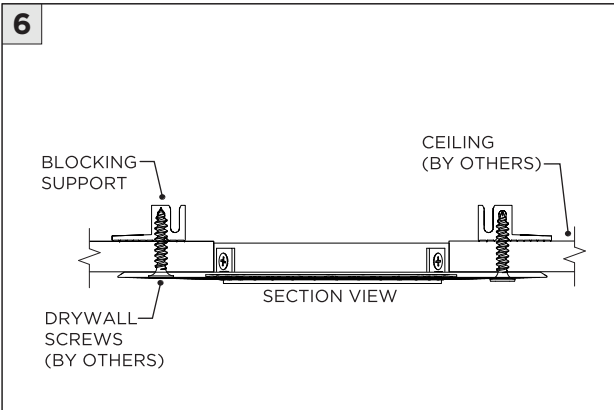


CEILING CUTOUT

DRYWALL SCREWS (BY OTHERS)

SECURE MUDDING FLANGE TO CEILING

**6**



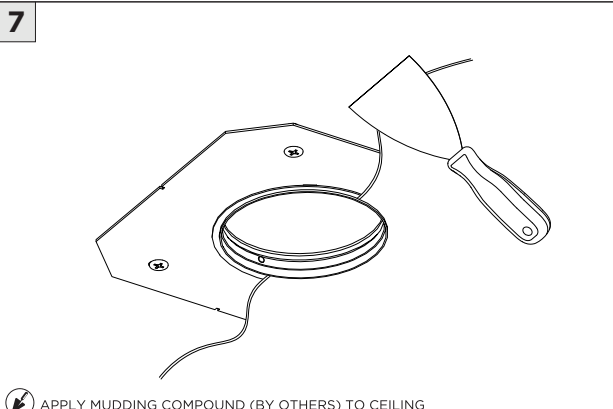
BLOCKING SUPPORT

CEILING (BY OTHERS)

DRYWALL SCREWS (BY OTHERS)

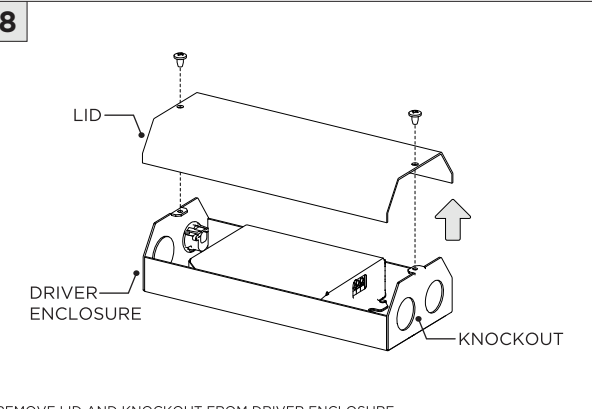
SECTION VIEW

**7**



APPLY MUDDING COMPOUND (BY OTHERS) TO CEILING

**8**



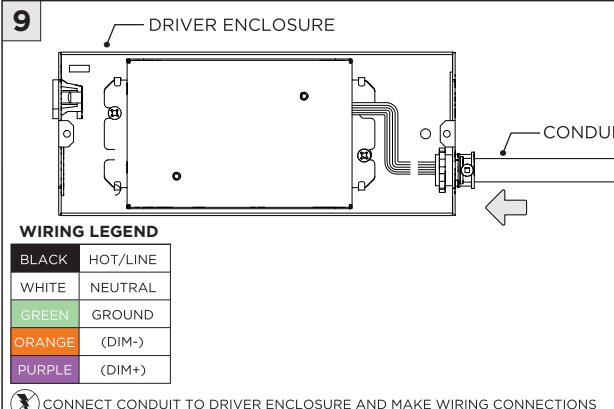
LID

DRIVER ENCLOSURE

KNOCKOUT

REMOVE LID AND KNOCKOUT FROM DRIVER ENCLOSURE

**9**



DRIVER ENCLOSURE

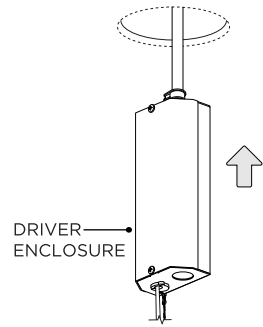
CONDUIT

**WIRING LEGEND**

BLACK	HOT/LINE
WHITE	NEUTRAL
GREEN	GROUND
ORANGE	(DIM-)
PURPLE	(DIM+)

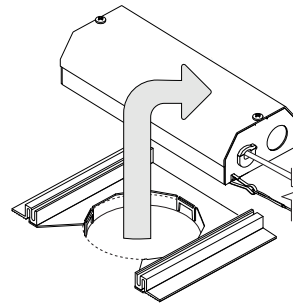
**⚠** CONNECT CONDUIT TO DRIVER ENCLOSURE AND MAKE WIRING CONNECTIONS

**10**



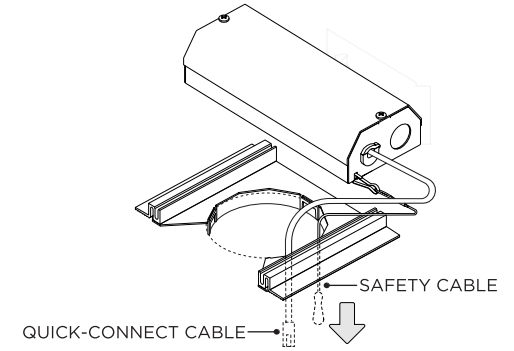
SECURE LID ONTO DRIVER ENCLOSURE AND INSERT INTO CEILING

**10A**



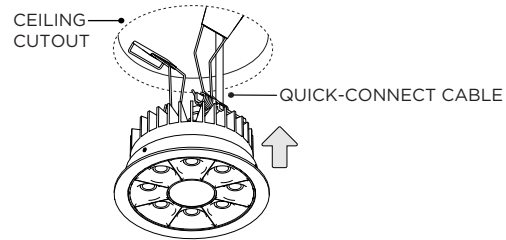
INSERT DRIVER ENCLOSURE THROUGH CUTOUT AND REST ABOVE CEILING

**11**



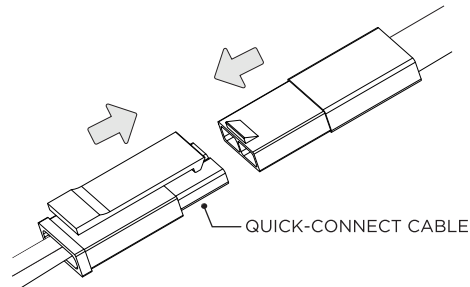
FEED SAFETY CABLE & QUICK-CONNECT CABLE THROUGH CEILING CUTOUT

**12**



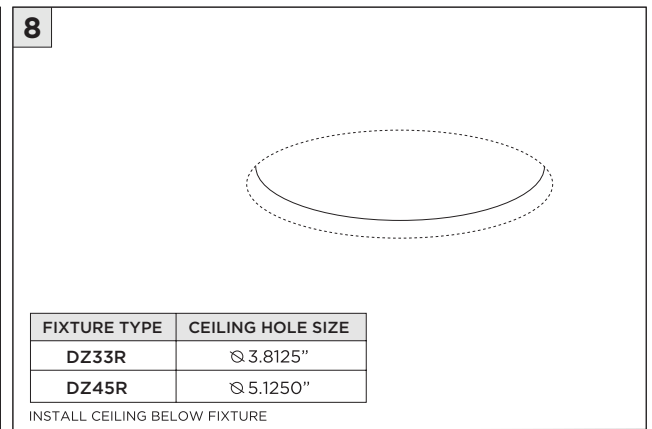
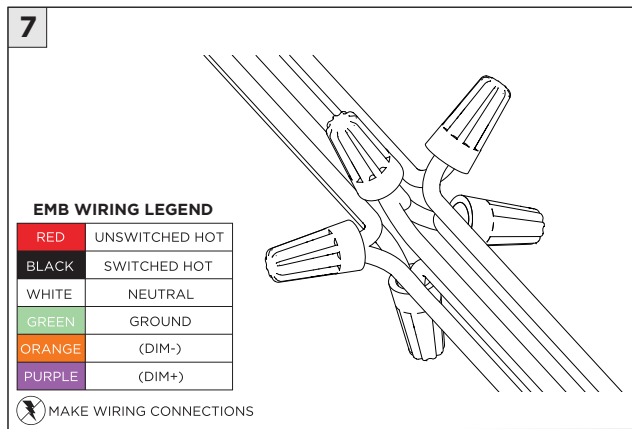
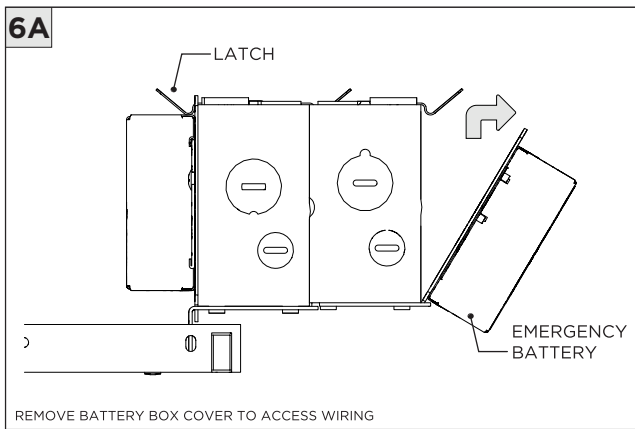
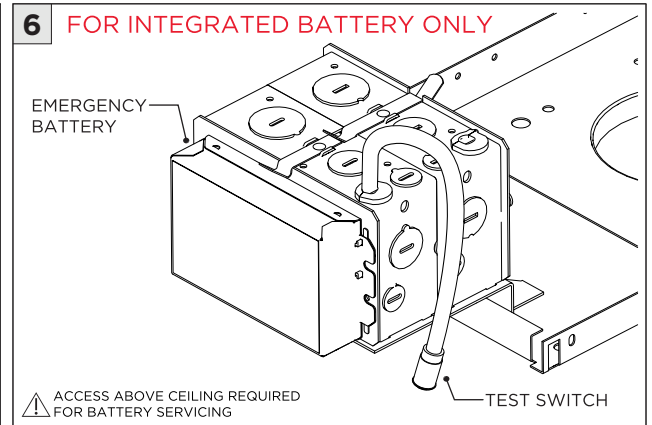
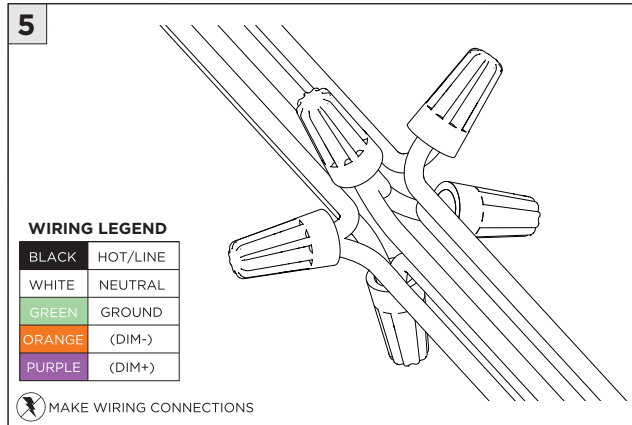
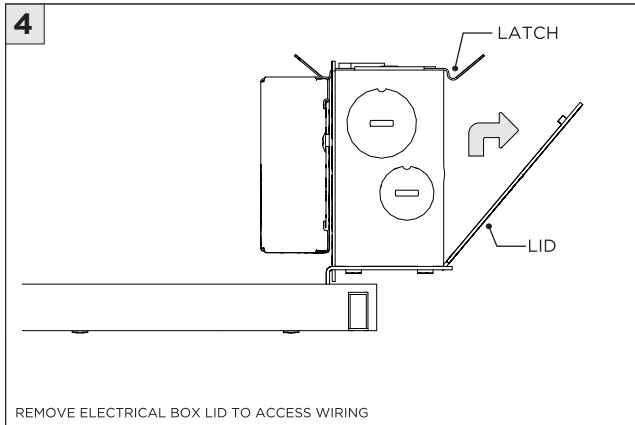
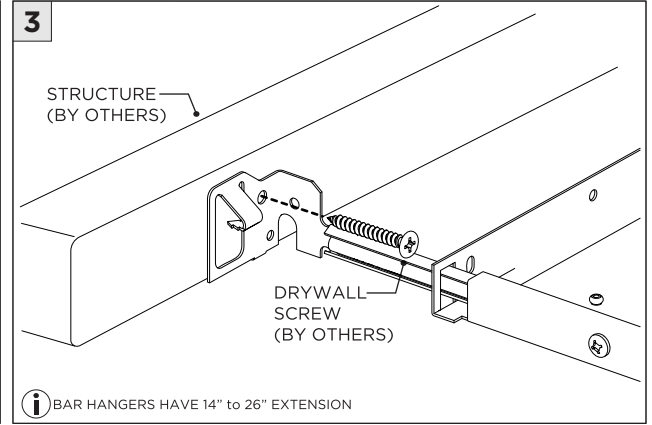
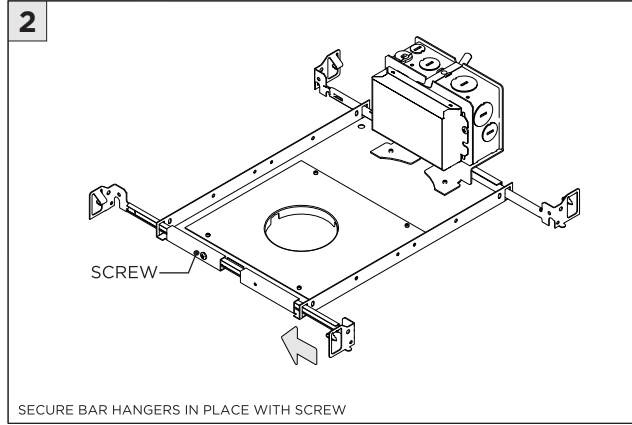
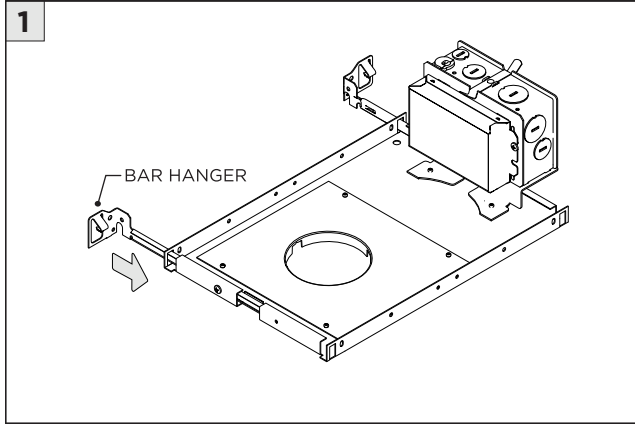
INSERT LED ASSEMBLY INTO CEILING

**12A**

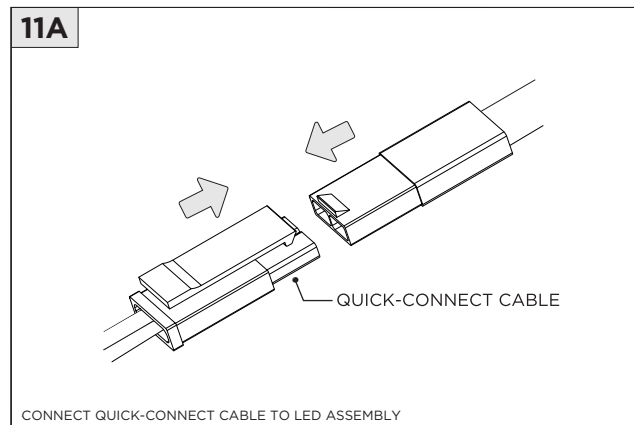
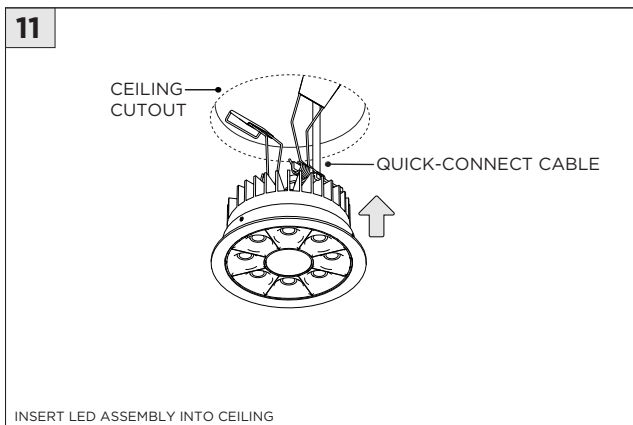
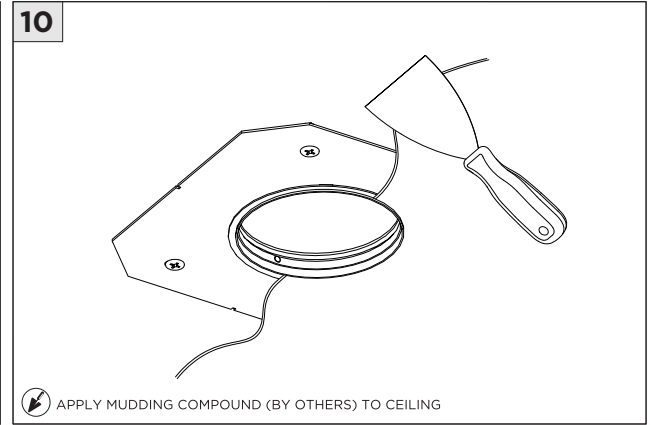
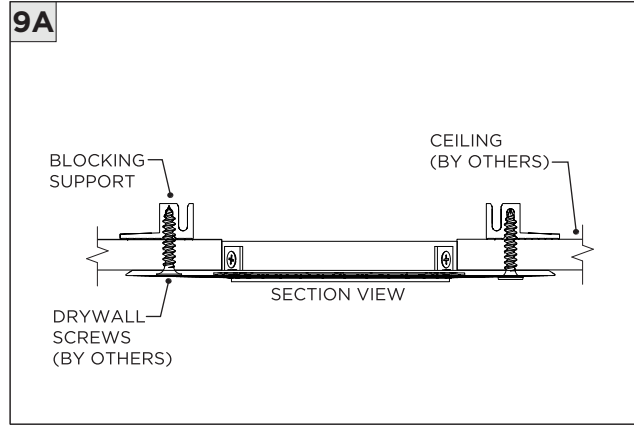
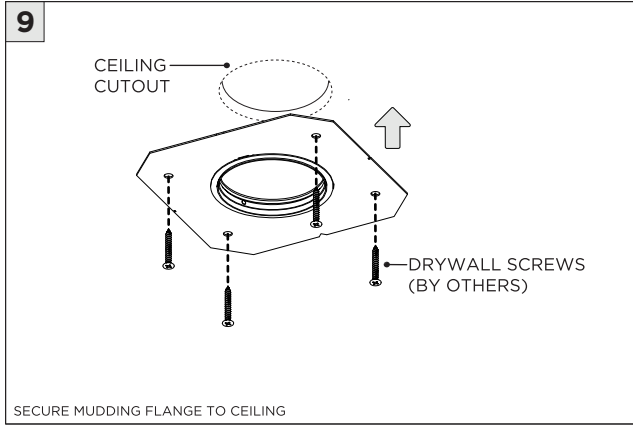


CONNECT QUICK-CONNECT CABLE TO LED ASSEMBLY

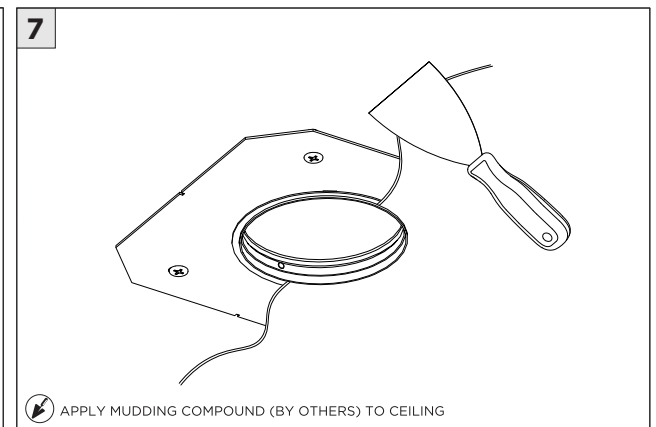
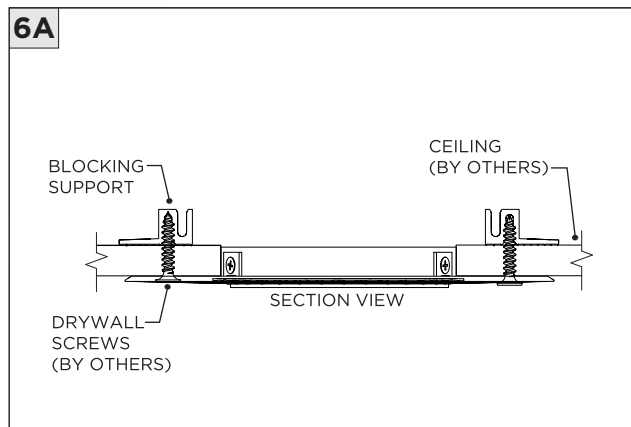
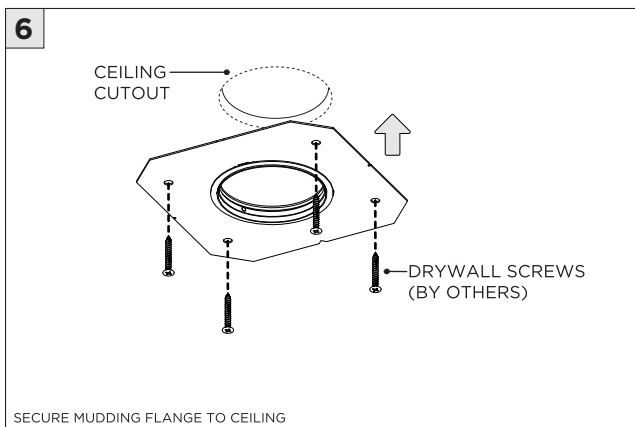
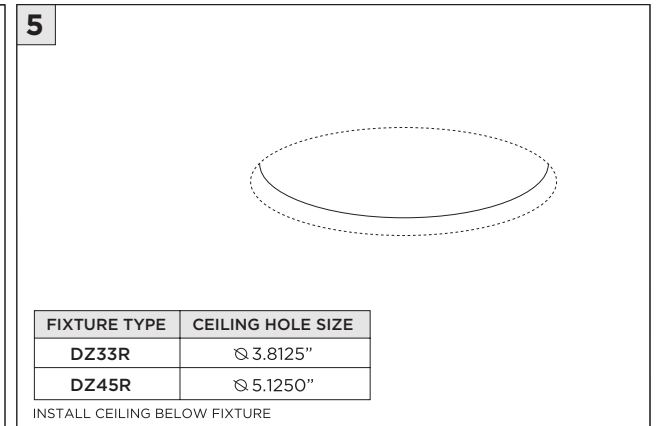
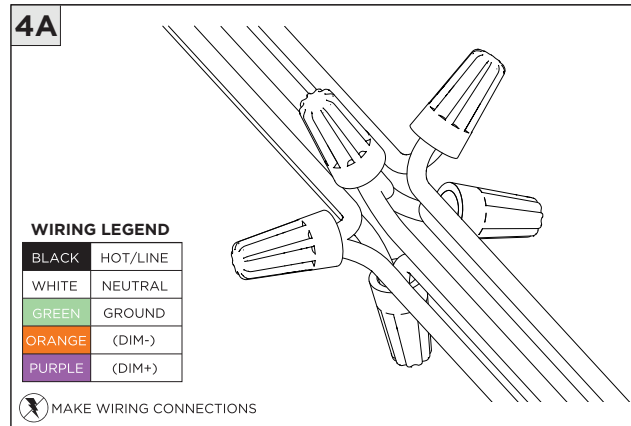
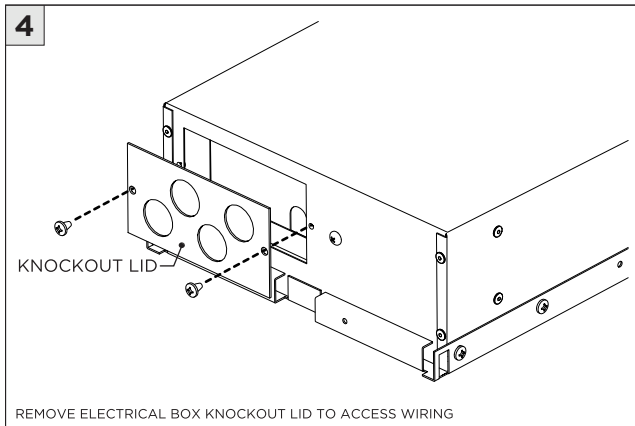
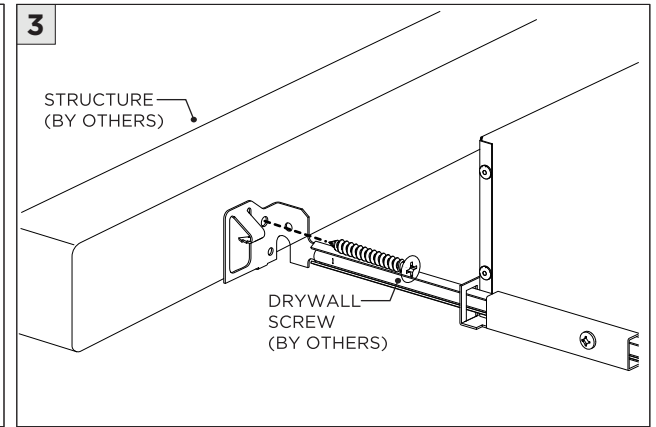
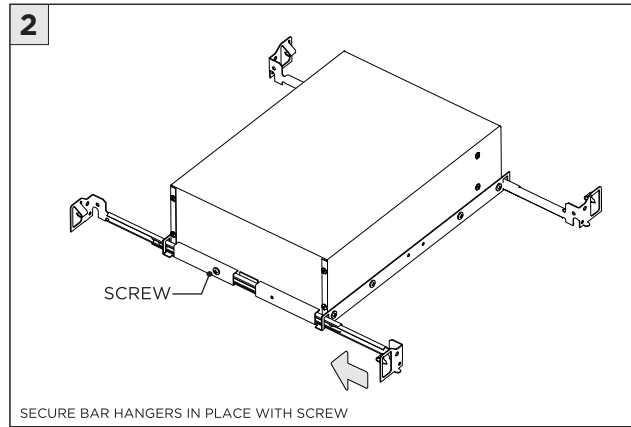
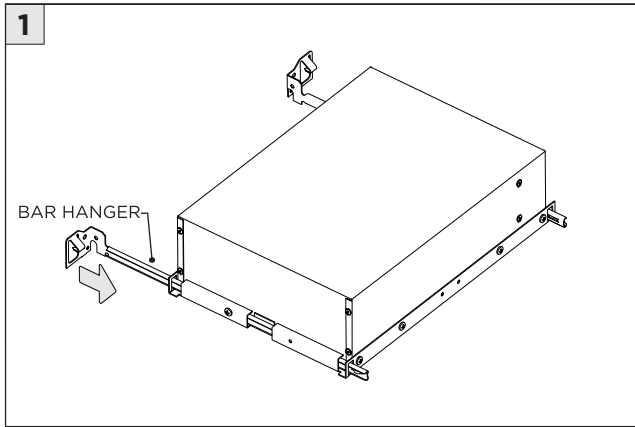
**NCF - NEW CONSTRUCTION FRAME (FOR NEW CONSTRUCTION ONLY)**



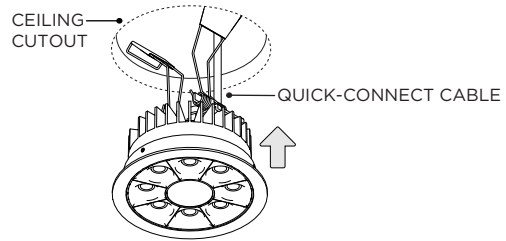




**SH - SHALLOW HOUSING (FOR NEW CONSTRUCTION ONLY)**

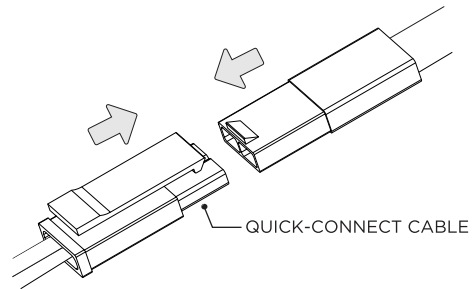


**8**



INSERT LED ASSEMBLY INTO CEILING

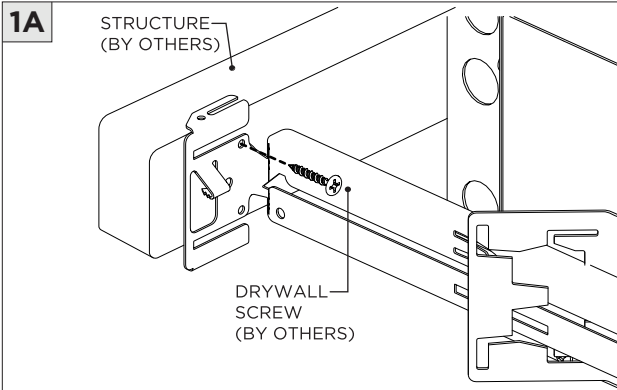
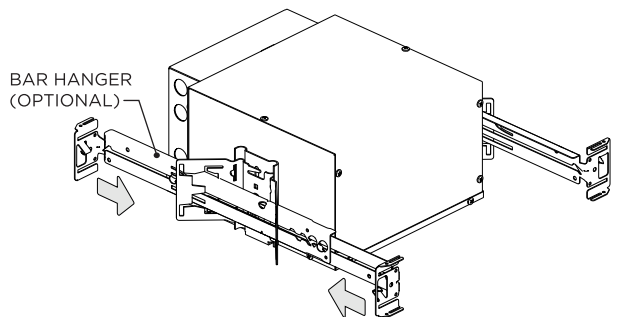
**8A**



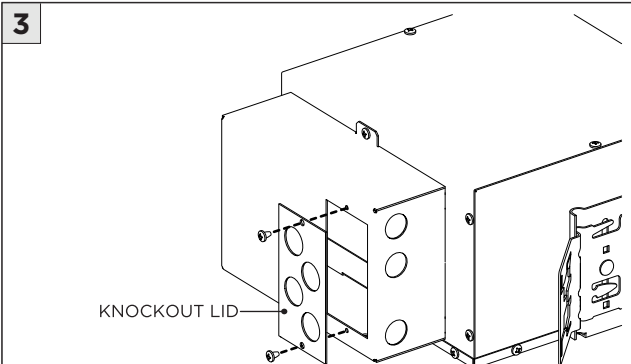
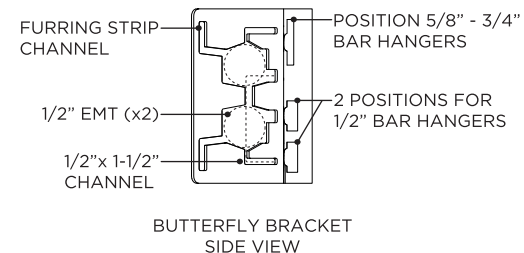
CONNECT QUICK-CONNECT CABLE TO LED ASSEMBLY

**NC/IC - NEW CONSTRUCTION HOUSING (FOR NEW CONSTRUCTION ONLY)**

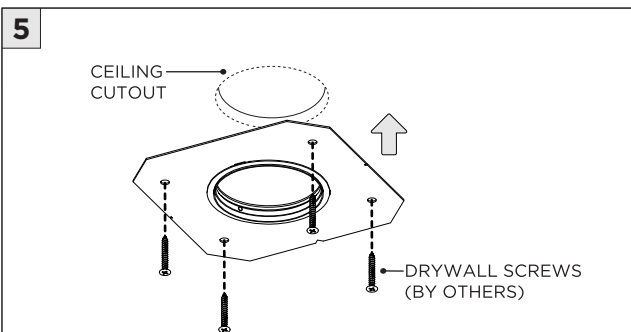
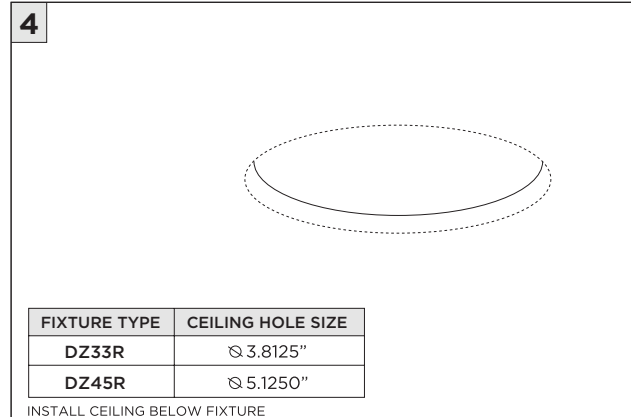
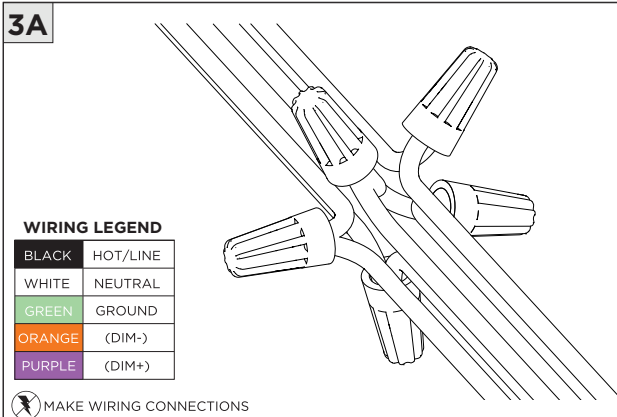
**1 BAR HANGER INSTALLATION**  
(IF SUPPLIED BY 3G)



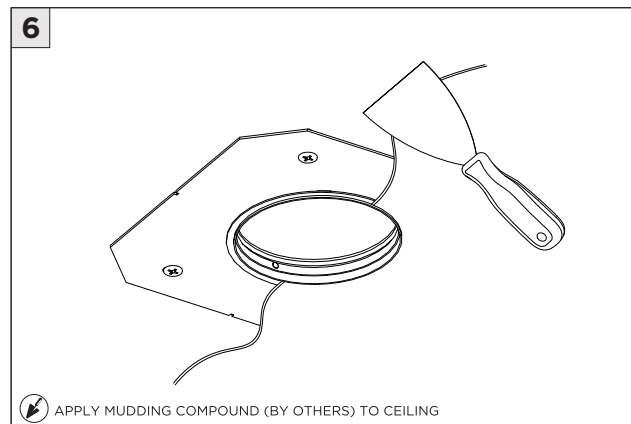
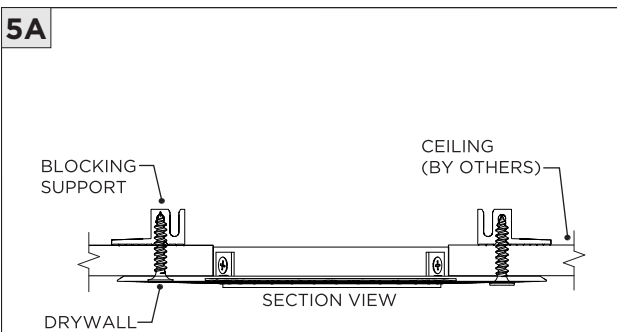
**2 OTHER BAR HANGER INSTALLATION**  
(NOT PROVIDED BY 3G)



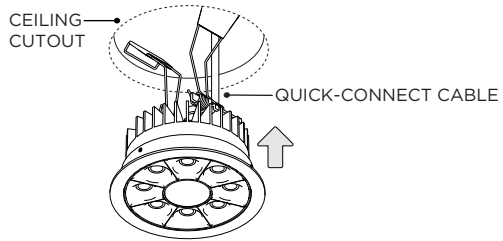
REMOVE ELECTRICAL BOX KNOCKOUT LID TO ACCESS WIRING



SECURE MUDDING FLANGE TO CEILING

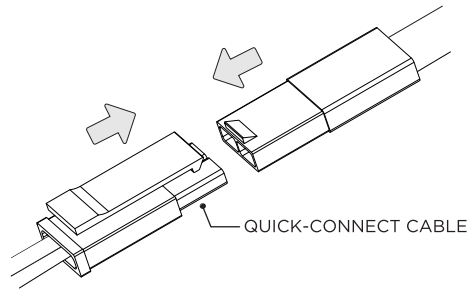


**7**



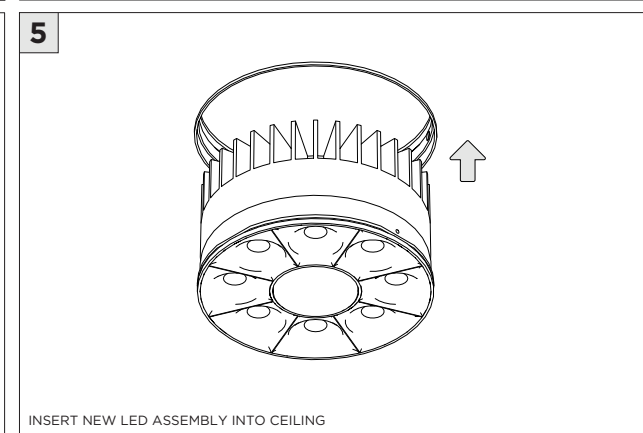
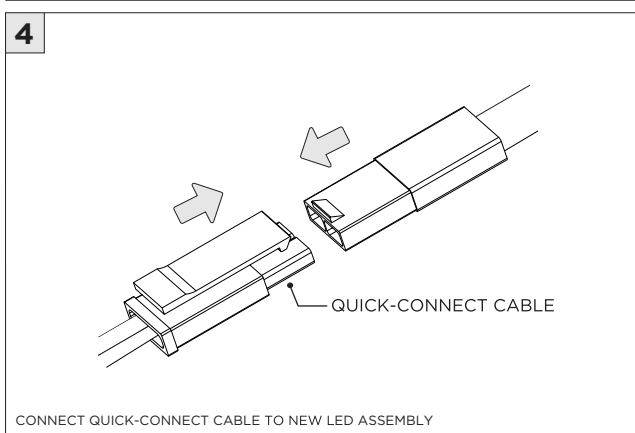
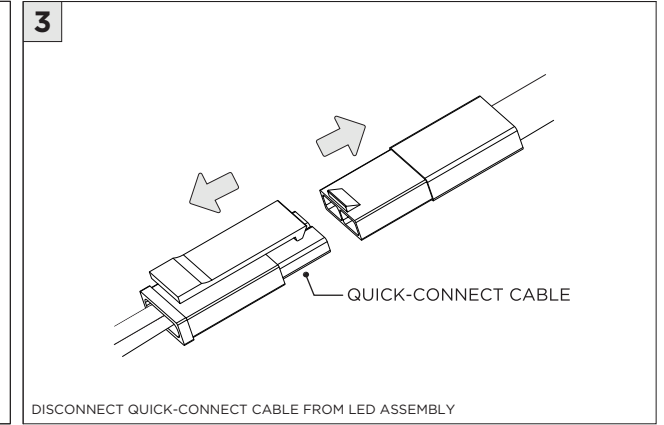
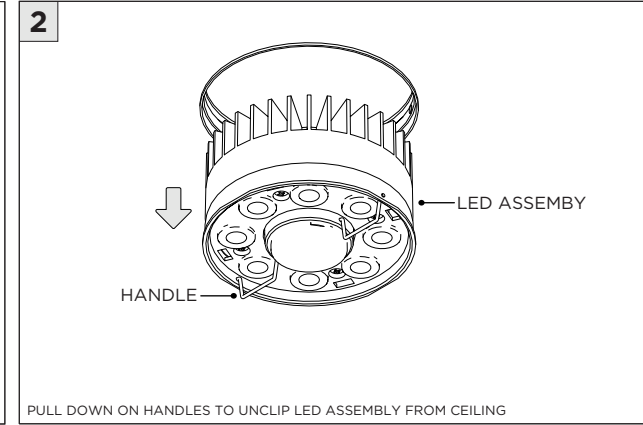
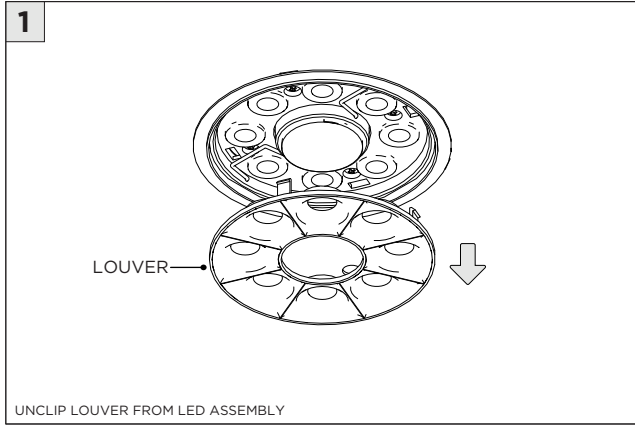
INSERT LED ASSEMBLY INTO CEILING

**7A**



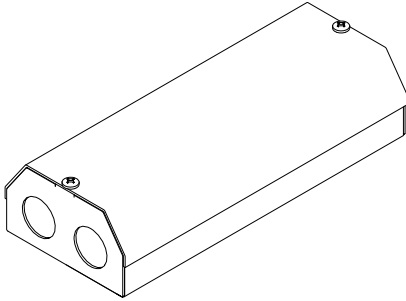
CONNECT QUICK-CONNECT CABLE TO LED ASSEMBLY

**LED SERVICING**



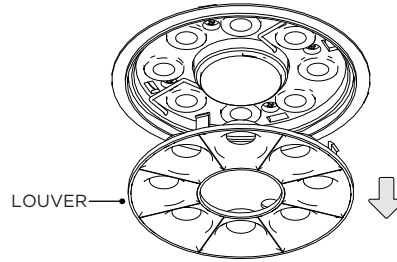
**DRIVER SERVICING**

**1 RMD - REMODEL**



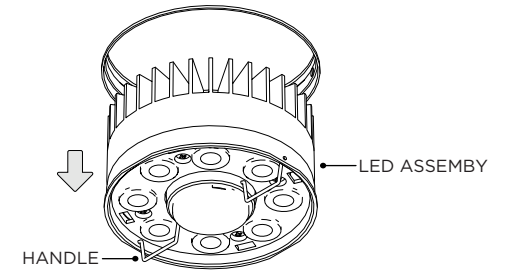
DISCONNECT POWER BEFORE SERVICING

**2**



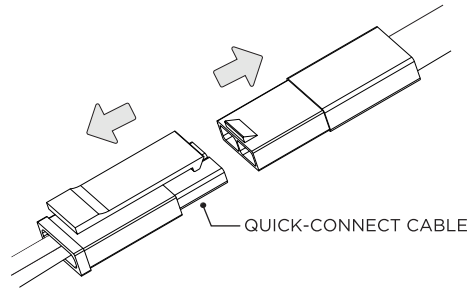
UNCLIP LOUVER FROM LED ASSEMBLY

**2A**



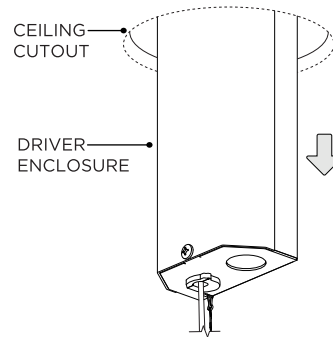
PULL DOWN ON HANDLES TO UNCLIP LED ASSEMBLY FROM CEILING

**3**

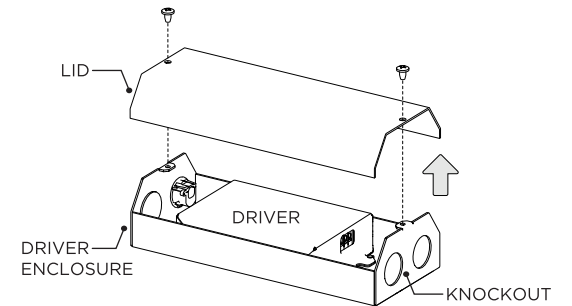


DISCONNECT QUICK-CONNECT CABLE FROM LED ASSEMBLY

**4**

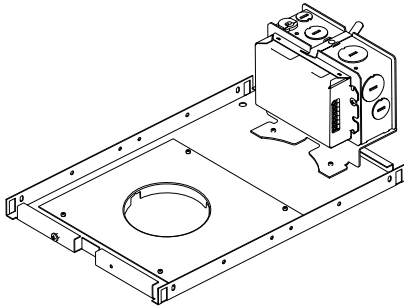


**5**



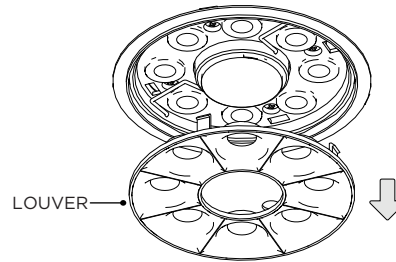
**DRIVER SERVICING**

**1 NCF - NEW CONSTRUCTION FRAME**



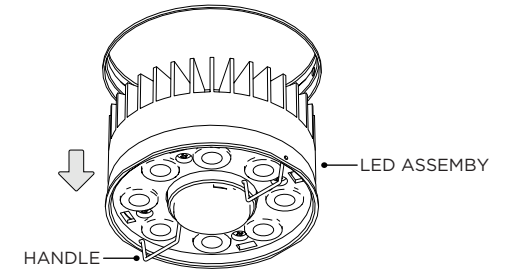
DISCONNECT POWER BEFORE SERVICING

**2**



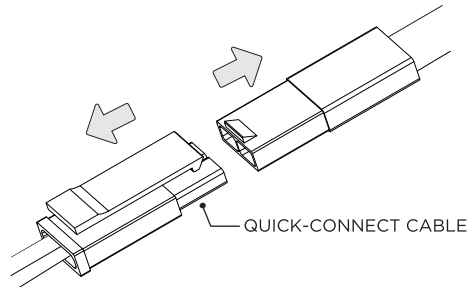
UNCLIP LOUVER FROM LED ASSEMBLY

**2A**



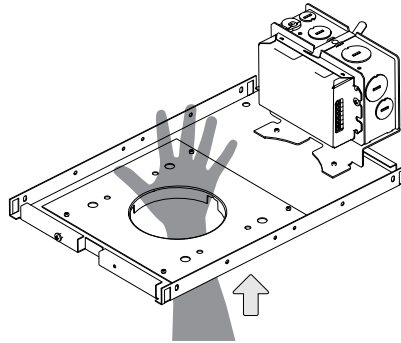
PULL DOWN ON HANDLES TO UNCLIP LED ASSEMBLY FROM CEILING

**3**

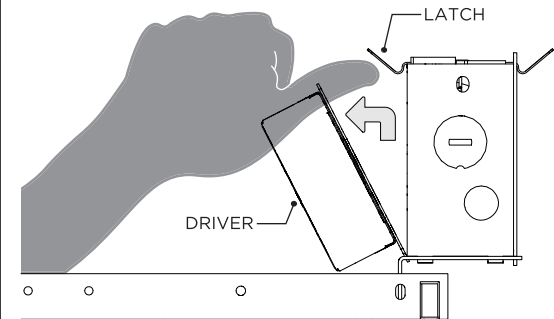


DISCONNECT QUICK-CONNECT CABLE FROM LED ASSEMBLY

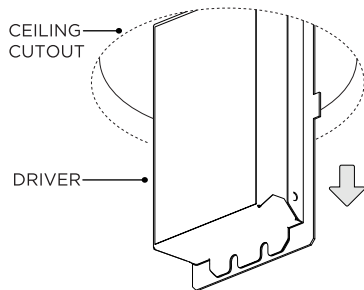
**4**



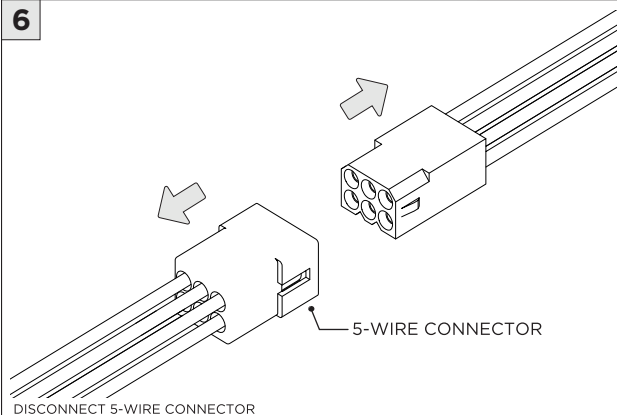
**5**



**5A**



**6**



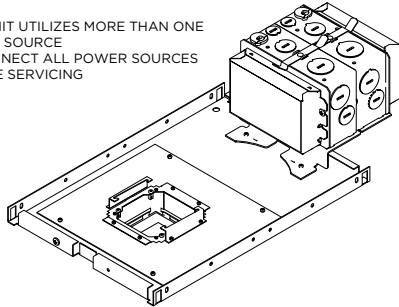
DISCONNECT 5-WIRE CONNECTOR



**DRIVER SERVICING**

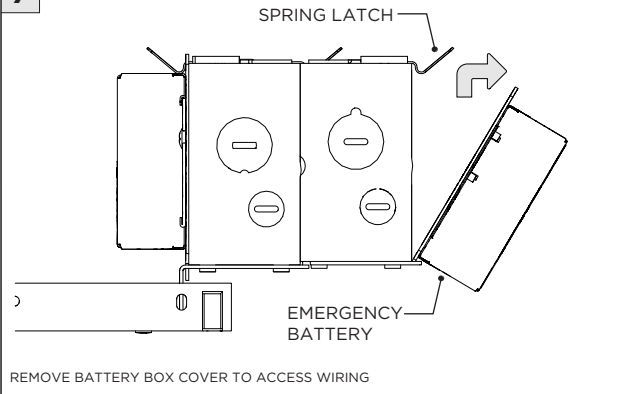
**6 NCF - NEW CONSTRUCTION FRAME**  
**FOR INTEGRATED BATTERY ONLY**

⚠ THIS UNIT UTILIZES MORE THAN ONE  
POWER SOURCE  
✂ DISCONNECT ALL POWER SOURCES  
BEFORE SERVICING



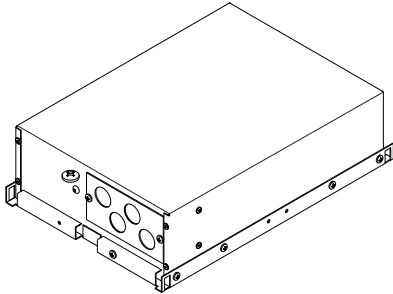
ⓘ ACCESS ABOVE CEILING REQUIRED FOR DRIVER SERVICING

**7**



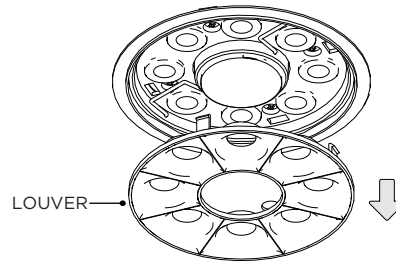
**DRIVER SERVICING**

**1 SH - SHALLOW HOUSING**



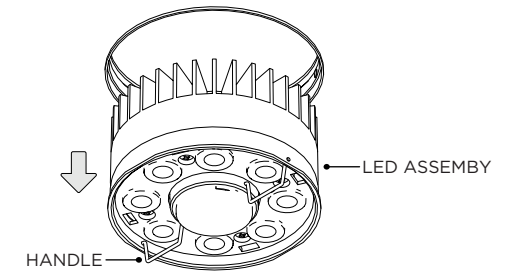
DISCONNECT POWER BEFORE SERVICING

**2**



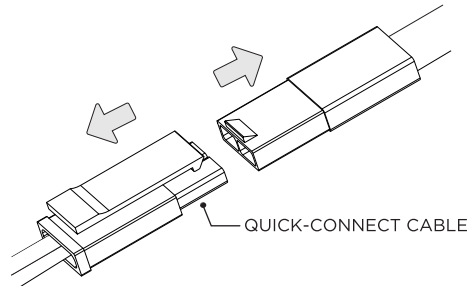
UNCLIP LOUVER FROM LED ASSEMBLY

**2A**



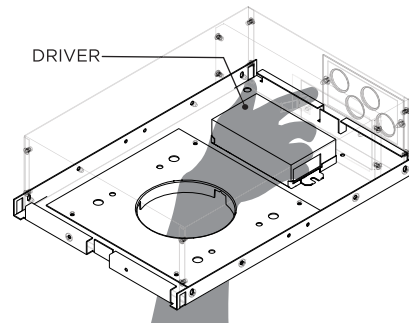
PULL DOWN ON HANDLES TO UNCLIP LED ASSEMBLY FROM CEILING

**3**



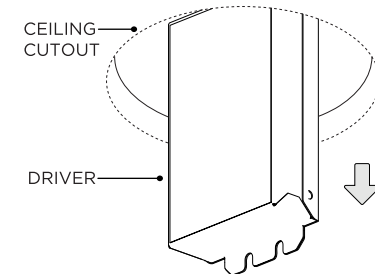
DISCONNECT QUICK-CONNECT CABLE FROM LED ASSEMBLY

**4**

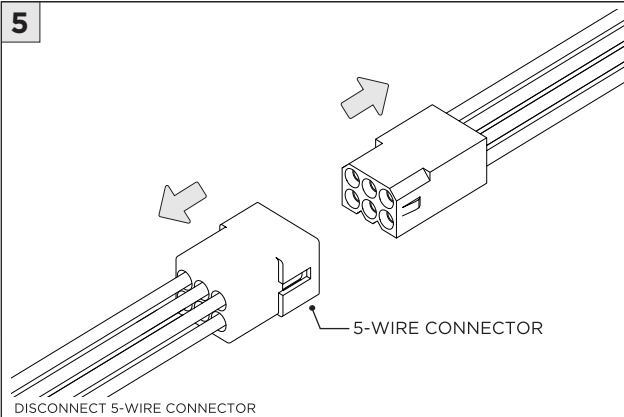


REMOVE DRIVER - SECURED WITH HOOK-AND-LOOP FASTENER

**4A**



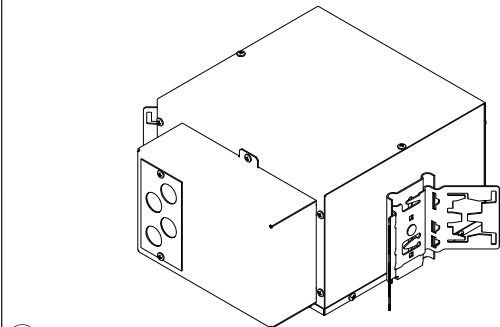
**5**



DISCONNECT 5-WIRE CONNECTOR

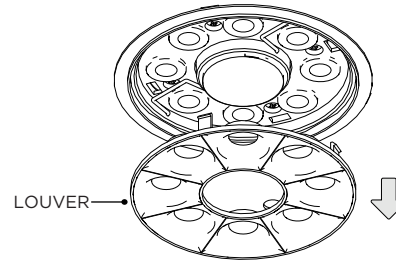
**DRIVER SERVICING**

**1 NC/IC - NEW CONSTRUCTION HOUSING**



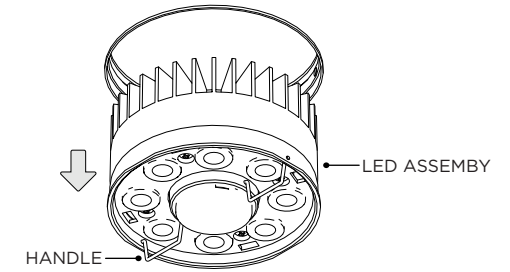
DISCONNECT POWER BEFORE SERVICING

**2**



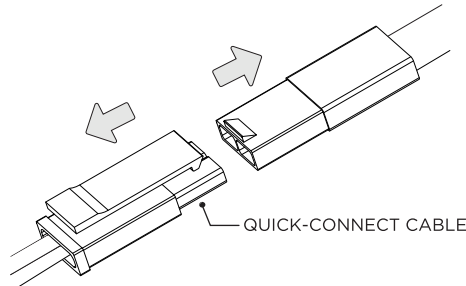
UNCLIP LOUVER FROM LED ASSEMBLY

**2A**



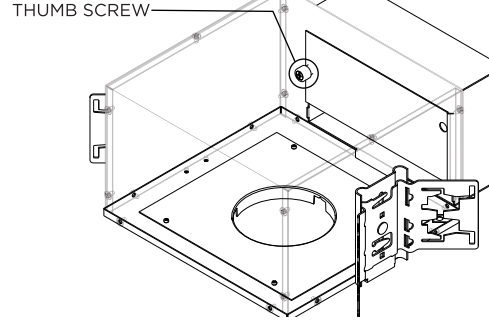
PULL DOWN ON HANDLES TO UNCLIP LED ASSEMBLY FROM CEILING

**3**



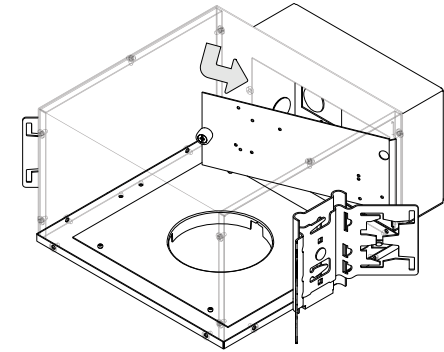
DISCONNECT SAFETY CABLE & QUICK-CONNECT CABLE FROM LED ASSEMBLY

**4**

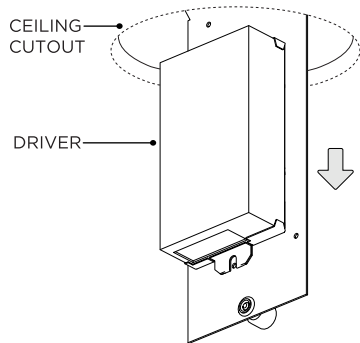


THUMB SCREW

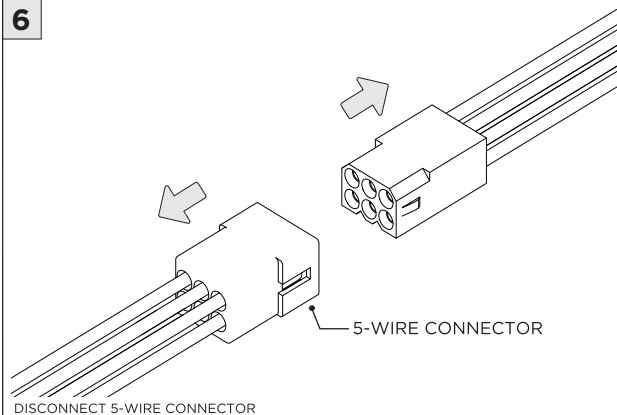
**5**



**5A**



**6**



DISCONNECT 5-WIRE CONNECTOR