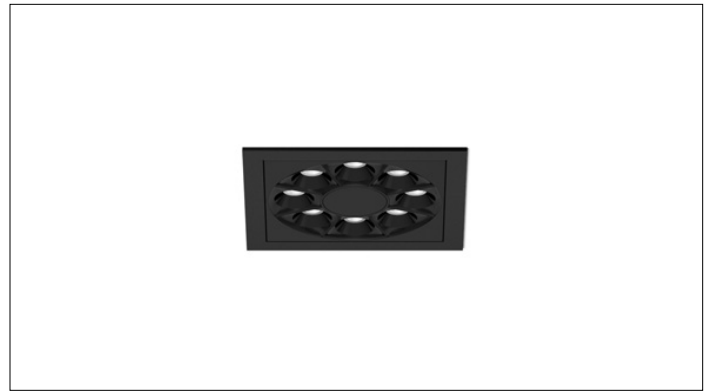


3G LIGHTING

3G-DZ33S

3.3" SQUARE ZOIE
DOWNLIGHT

3.3" square, high performance Zoie downlight
 Regressed LED source provides maximum visual comfort, UGR <10
 High gloss black or white louvers with proprietary optics
 Delivered lumen range up to 3000lm with performance up to 148 LPW
 20° to 60° beam angle options suitable for various applications
 Companion to 3G's Zoie Cylinder product family



PROJECT:		TYPE:	
CATALOG#:		DATE:	QTY:

CAT. NO	LUMEN OUTPUT	CRI	COLOR TEMP	BEAM ANGLE	VOLTAGE
3G-DZ33S	10 - 1000 LUMENS	S80 - 80+ CRI	27K - 2700K ¹	20D - 20°	UNV - 120/277V
	15 - 1500 LUMENS	H90 - 90+ CRI	30K - 3000K	40D - 40°	120 - 120V
	20 - 2000 LUMENS		35K - 3500K	60D - 60°	347 - 347V ²
	25 - 2500 LUMENS		40K - 4000K ¹		
	30 - 3000 LUMENS ¹				
	All lumen outputs are delivered lumens				

DRIVER	FLANGE TYPE	LOUVER FINISH	HOUSING TYPE
DIM - 0-10V (STANDARD 100-1%) DO1 - 0-10V (100-0.1%) ³ DALI - DALI (100-1%) ³ DHL2 - LUTRON HI-LUME (1% ECOSYSTEM) DMX - DMX (100-0%) ³	BT - BLACK TRIM WT - WHITE TRIM ST - SILVER TRIM XTR - TRIMLESS MWF - FLANGELESS (MILLWORK) ⁴	BLV - BLACK WLV - WHITE	RMD - REMODEL (NON-IC) NCF - NEW CONSTRUCTION FRAME (NON-IC) SH - SHALLOW HOUSING (IC RATED) ⁵ NC - NEW CONSTRUCTION HOUSING IC - NEW CONSTRUCTION IC HOUSING ⁵

OPTIONS
CP - CHICAGO PLENUM ⁶ BH - C-CHANNEL BAR HANGERS (FOR NC & IC HOUSINGS ONLY) EMR - EMERGENCY BATTERY (REMOTE) ⁷ EMB - INTEGRAL EMERGENCY BATTERY (ABOVE CEILING ACCESS REQUIRED) ⁸
NCF and SH housings ship nailer type bar hangers NC and IC housings available with optional C-channel bar hangers

¹ 3000lm not available in 90CRI. 2700K only available in 90CRI and 4000K only available in 80CRI
² 347V available in 0-10V only (100-1%)
³ DO1, DALI and DMX available up to 2500lm. DALI-2 (Type 6) provided as standard. Consult factory for DALI Type 8 option
⁴ MWF not available with Remodel (NON-IC)
⁵ IC rated Shallow Housing & New Construction IC housing available up to 2000lm
⁶ Chicago Plenum option available with Shallow Housing (2000lm max) and New Construction Housing
⁷ Emergency battery installed remotely by others. Not accessible through the inside of the fixture
⁸ Available with NCF (New construction frame housing) only. Above ceiling access required. Not accessible through fixture aperture

PERFORMANCE

LUMEN OUTPUT	DELIVERED LUMENS	SYSTEM WATTS	EFFICACY (LPW)
1000	1000	8.4	122
1500	1500	13.2	117
2000	2000	18.4	112
2500	2500	25.4	101
3000	3000	32.8	94

BASED 80+ CRI, 30K, 40D OPTIC
Lumen output and actual wattage may vary +/- 5%

MULTIPLIERS

BEAM ANGLE	
20D	1.05
40D	1.00
60D	0.94

80+ CRI COLOR TEMP	
2700K	N/A
3000K	1.00
3500K	0.97
4000K	1.16

90+ CRI COLOR TEMP	
2700K	0.77
3000K	0.86
3500K	0.86
4000K	N/A

HOUSING

Remodel, new construction frame, shallow housing, new construction and IC housing options available
Maximum ceiling thickness of 1.5". Consult factory for modifications
All housing options (except millwork) designed to be easily converted in field to trim or trimless with minimal components
Housing rated for #12 AWG (4 in, 4 out), 90°C conductors and through branch wiring

TRIM FLANGE

Machined aluminum trim flange with matte powder coated finish and minimal 0.375" overlap

TRIMLESS

Mudding flange features a perforated surface for easy mud-in application
Integral blocking support provided to ensure fixture is properly secured within ceiling structure

OPTICS

3.3" aperture with regressed LED source for maximum visual comfort
High gloss black or white louvers with proprietary optics and no glare
Beam angles available in 20°, 40° and 60°
UGR <10

LISTING

ETL listed and conforms to UL1598 standard
Certified to CSA22.2 NO.250.0.
Rated for dry locations

WARRANTY

5 year limited warranty
LED system rated for operation in ambient environments up to 25°C

LED SYSTEM

Standard 80+ and 90+ CRI
Color consistency <2 SDCM
Available in 27K, 30K, 35K, and 40K
L90 > 60,000 hours

ELECTRICAL

Standard 0-10V, constant current drivers
100-1% dimming range and >0.9 power factor
Standard 120/277V universal voltage with several driver options
Integral drivers are easily accessible through luminaire aperture

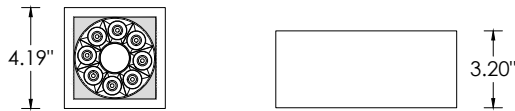
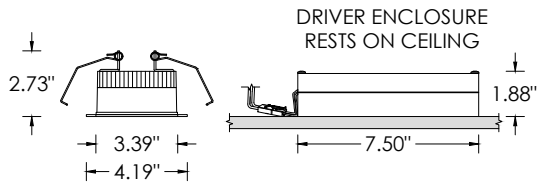
EMERGENCY

7W output for 90 minutes (+/- 850lm at 80+ CRI).
Integral emergency battery (above ceiling access required)
Remote emergency battery (not accessible through fixture aperture)
Maximum remote mounting distance:
3000lm or below - 50ft (12AWG) or 25ft (14AWG)
Caution: Emergency Battery utilizes more than one power source and servicing should be performed by qualified personnel

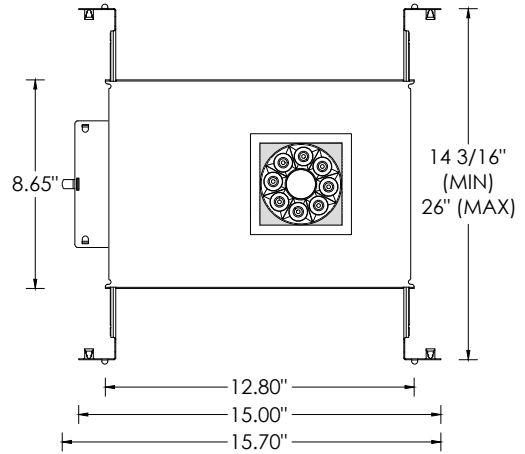
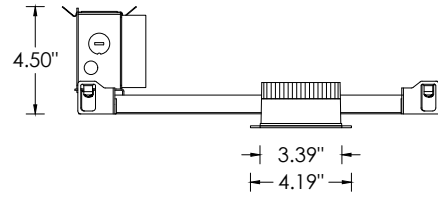
MOUNTING

Trim fixture designed for use in drywall, wood, acoustic, and other architectural ceilings
Trimless fixture designed for use in drywall, mud-in ceiling applications
Recommended cut-out for Millwork Flangeless option (3.525")
Recommended cut-out for other housing options (3 13/16")
New construction frame and IC rated shallow housing ship with nailer type bar hangers (14" to 26" extension)
Optional C-Channel bar hangers available for NC and IC housing options

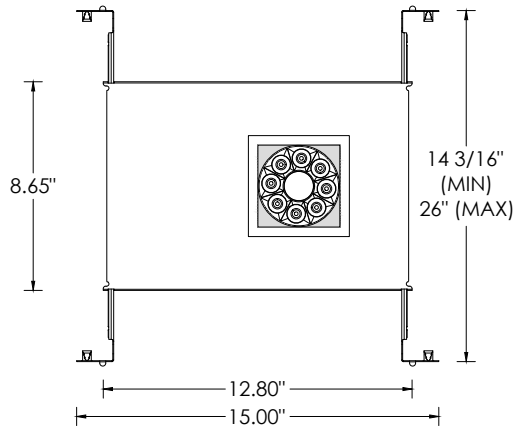
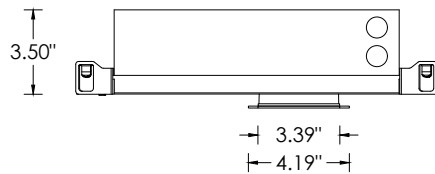
RMD - REMODEL (NON-IC)



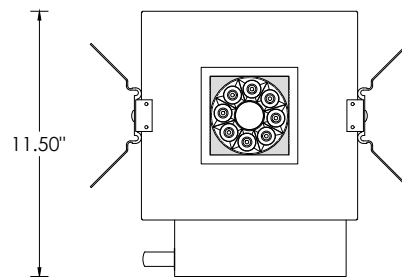
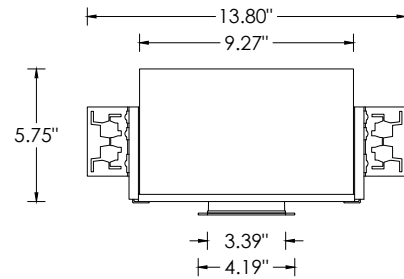
NCF - NEW CONSTRUCTION FRAME (NON-IC)



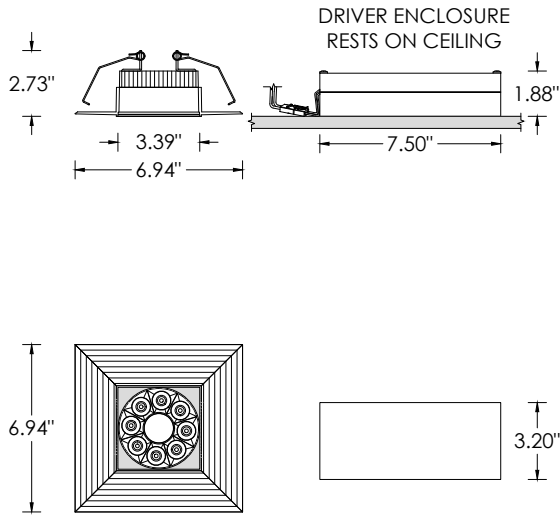
SH - SHALLOW HOUSING (IC AND CP RATED)
(2000LM MAX)(SHIPS WITH BAR HANGERS)



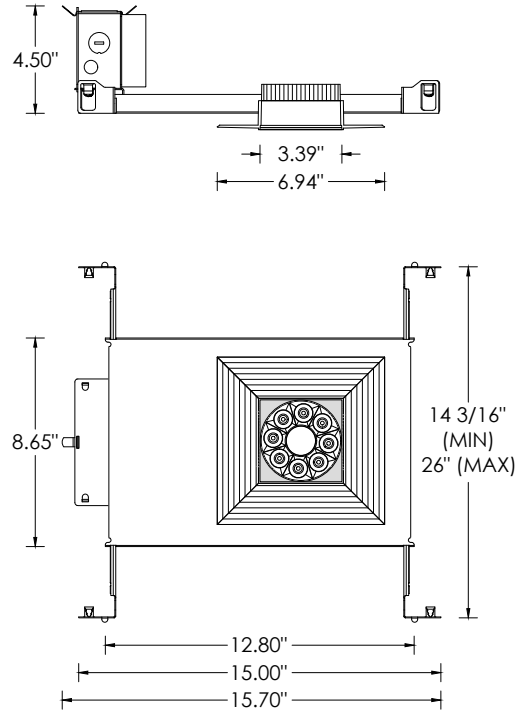
NC - NEW CONSTRUCTION HOUSING (NON-IC AND CP RATED)
IC - NEW CONSTRUCTION IC HOUSING (2000LM MAX)



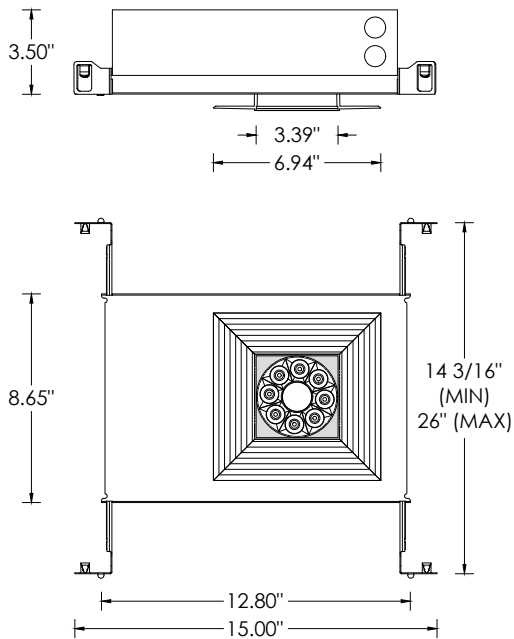
RMD - REMODEL (NON-IC)



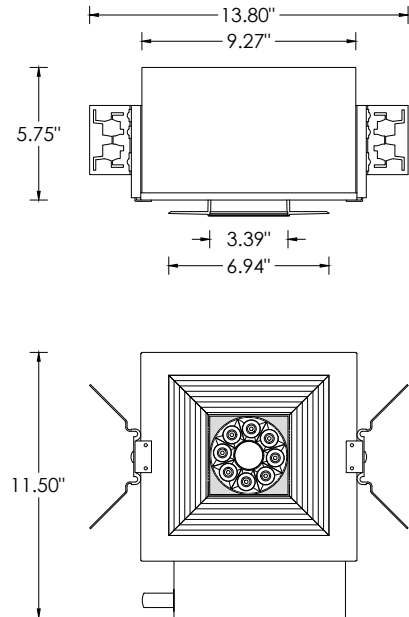
NCF - NEW CONSTRUCTION FRAME (NON-IC)



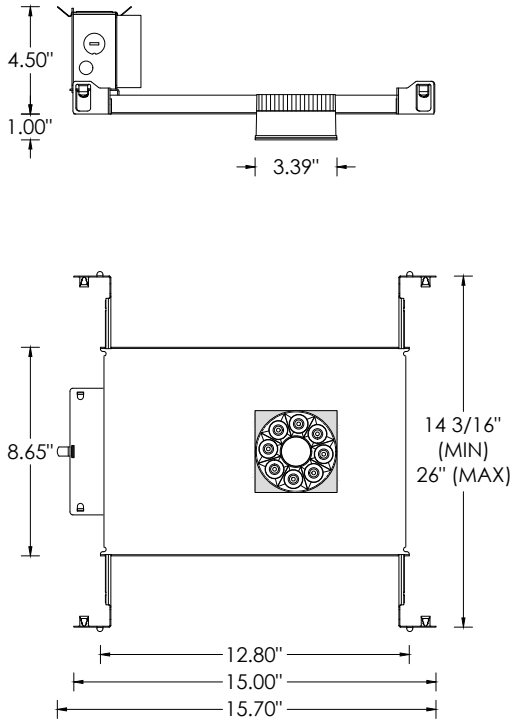
SH - SHALLOW HOUSING (IC AND CP RATED)
(2000LM MAX)(SHIPS WITH BAR HANGERS)



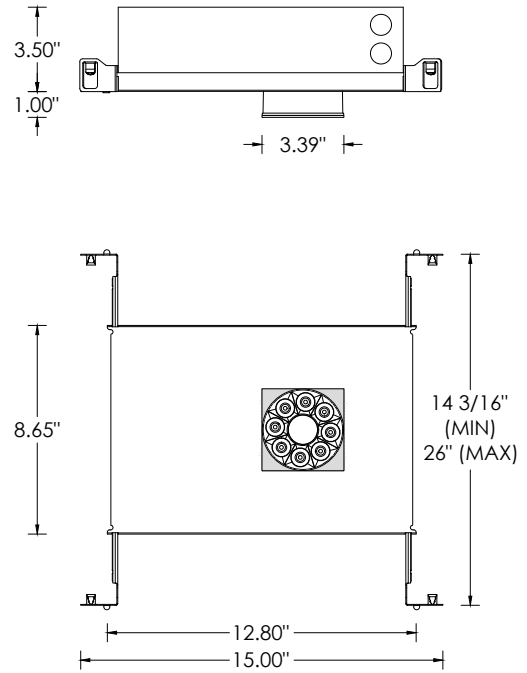
NC - NEW CONSTRUCTION HOUSING (NON-IC AND CP RATED)
IC - NEW CONSTRUCTION IC HOUSING (2000LM MAX)



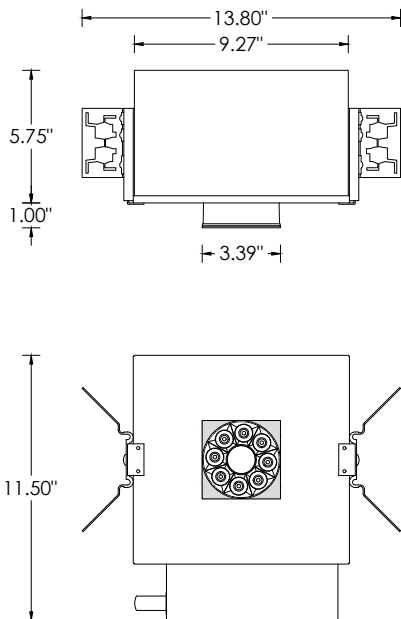
NCF - NEW CONSTRUCTION FRAME (NON-IC)



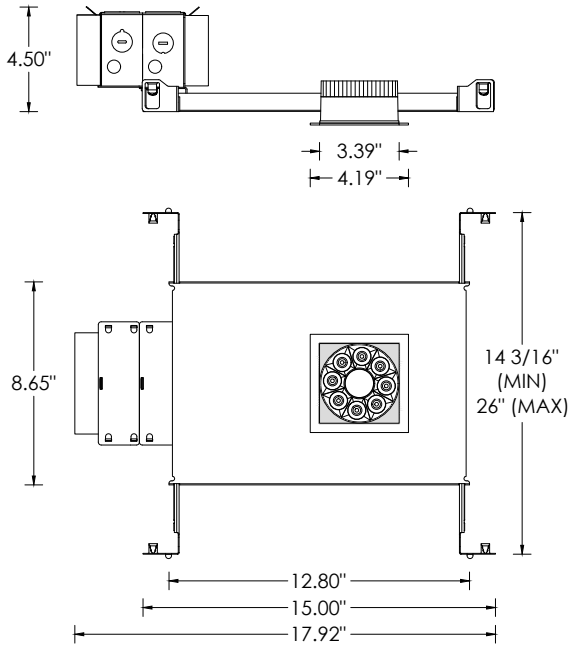
**SH - SHALLOW HOUSING (IC AND CP RATED)
(2000LM MAX)(SHIPS WITH BAR HANGERS)**



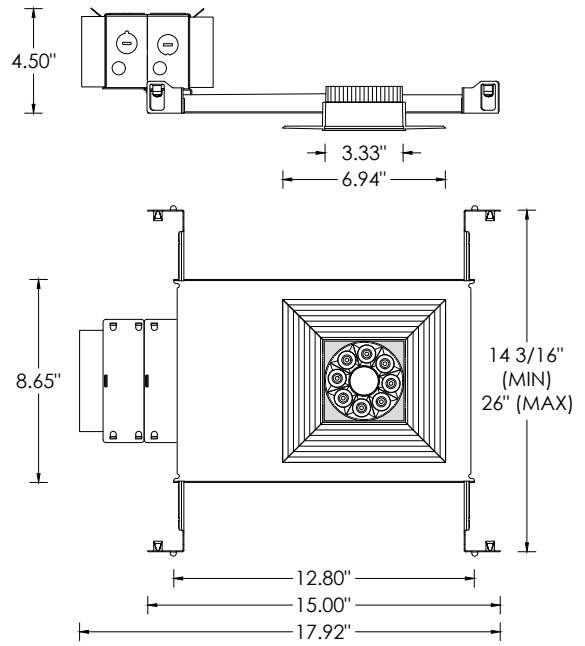
**NC - NEW CONSTRUCTION HOUSING (NON-IC AND CP RATED)
IC - NEW CONSTRUCTION IC HOUSING (2000LM MAX)**



TRIM



XTR - FLANGELESS



MWF - FLANGELESS MILLWORK

