

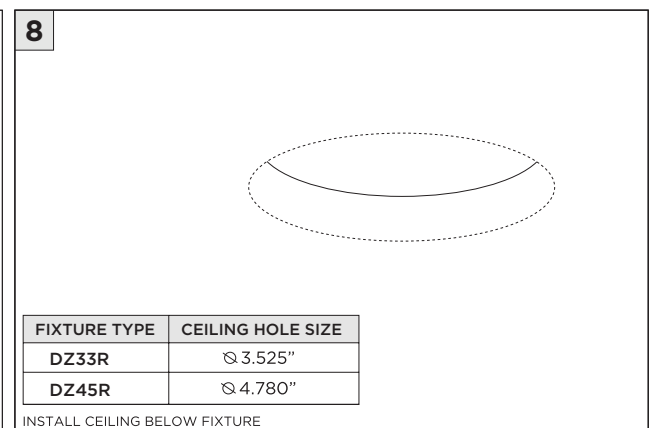
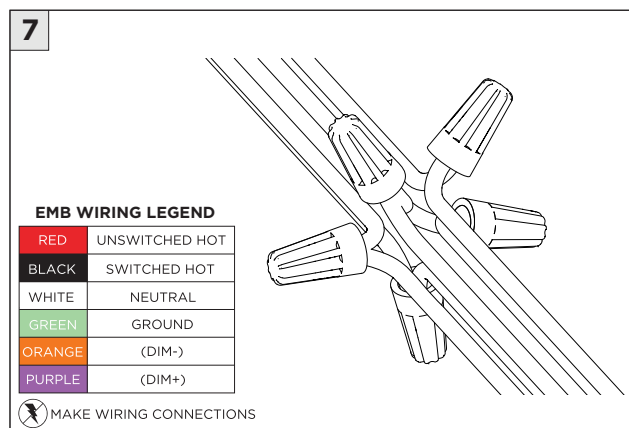
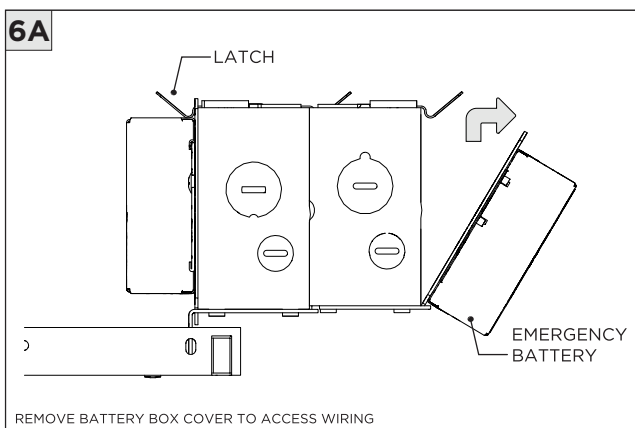
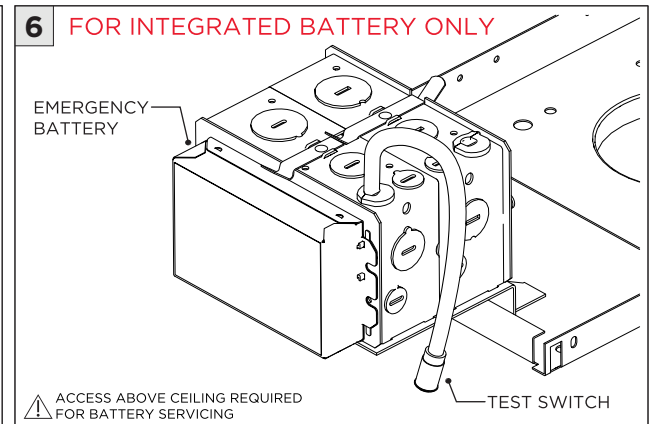
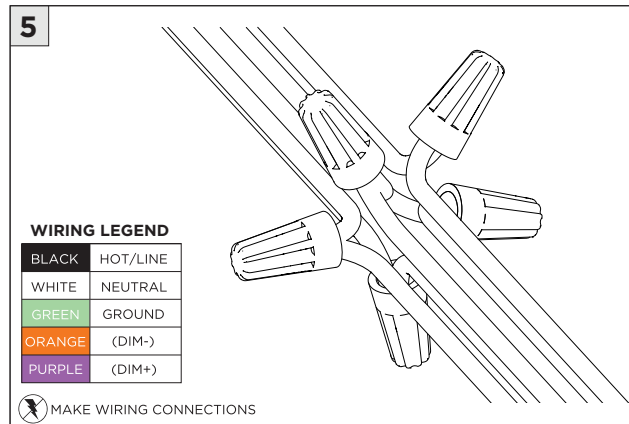
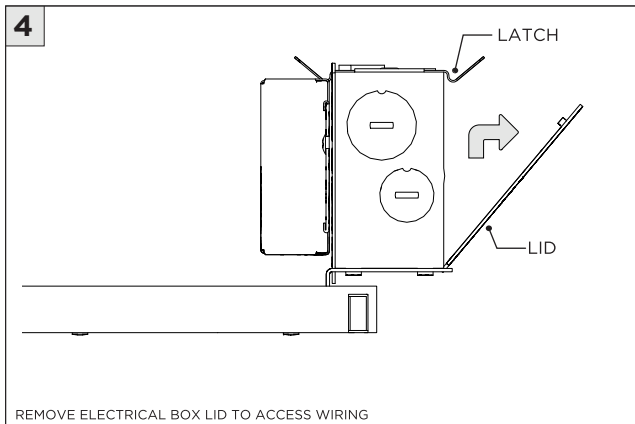
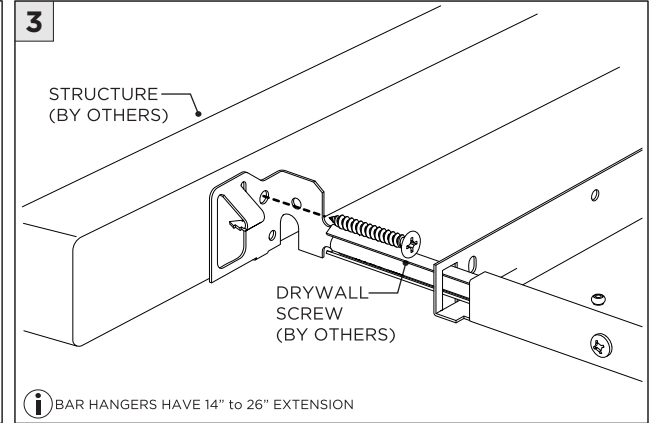
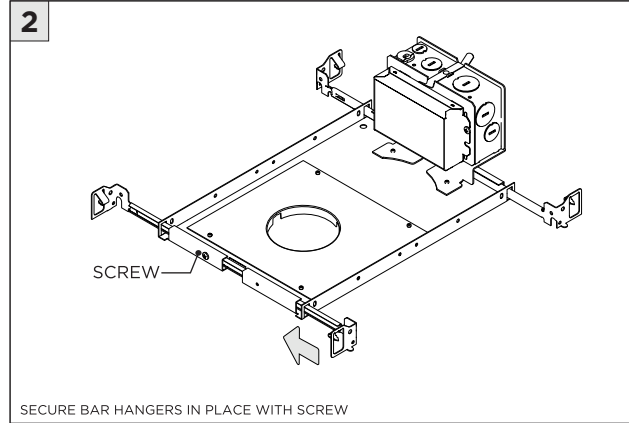
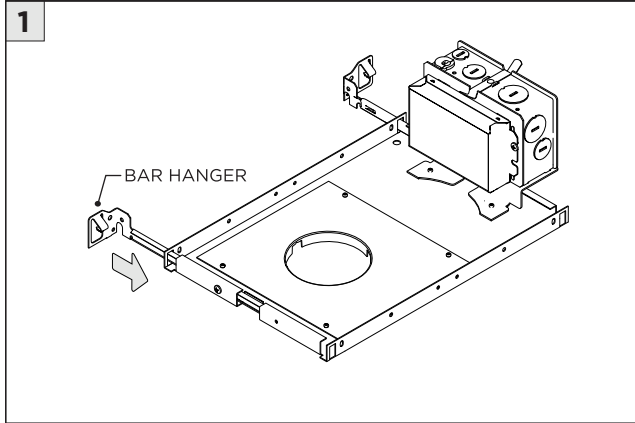


i THE IMAGES SHOWN ARE FOR ILLUSTRATION PURPOSES ONLY AND MAY NOT BE AN EXACT REPRESENTATION OF THE PRODUCT

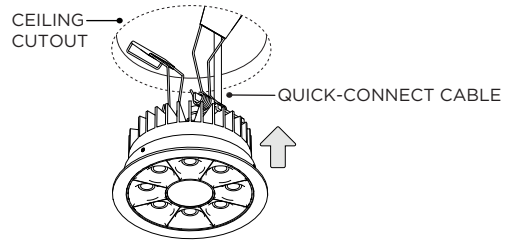
INCLUDED COMPONENTS	
<p>NCF - NEW CONSTRUCTION FRAME (FOR NEW CONSTRUCTION ONLY)</p> <p>LED INSERT NEW CONSTRUCTION FRAME BAR HANGERS</p>	<p>SH - SHALLOW HOUSING (FOR NEW CONSTRUCTION ONLY)</p> <p>LED INSERT SHALLOW HOUSING BAR HANGERS</p>
<p>NC/IC - NEW CONSTRUCTION HOUSING (FOR NEW CONSTRUCTION ONLY)</p> <p>LED INSERT NEW CONSTRUCTION HOUSING BAR HANGERS (OPTIONAL)</p>	

INSTRUCTION KEY	INFORMATION	
	ADDITIONAL	INSTALLATION SHOULD ONLY BE PERFORMED BY A CERTIFIED ELECTRICIAN
	ATTENTION	REFER TO LOCAL/NATIONAL CODES FOR PROPER INSTALLATION
	POWER ON	FAILURE TO FOLLOW INSTALLATION INSTRUCTION MAY VOID THE WARRANTY
	POWER OFF	DO NOT TOUCH LEDS. LEDS MUST BE PROTECTED FROM MECHANICAL STRESS OR DEBRIS
		TURN OFF POWER DURING INSTALLATION OR SERVICING

NCF - NEW CONSTRUCTION FRAME (FOR NEW CONSTRUCTION ONLY)

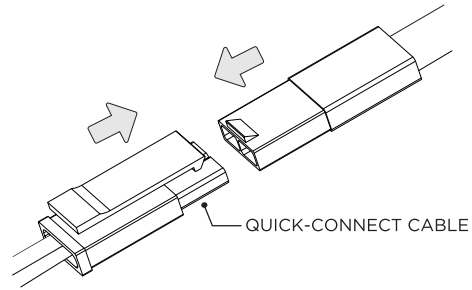


9



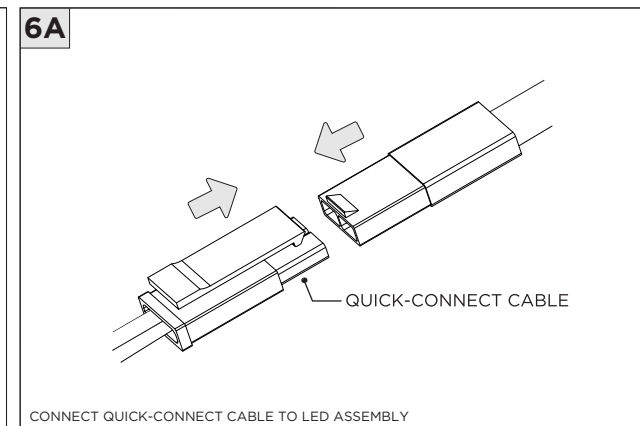
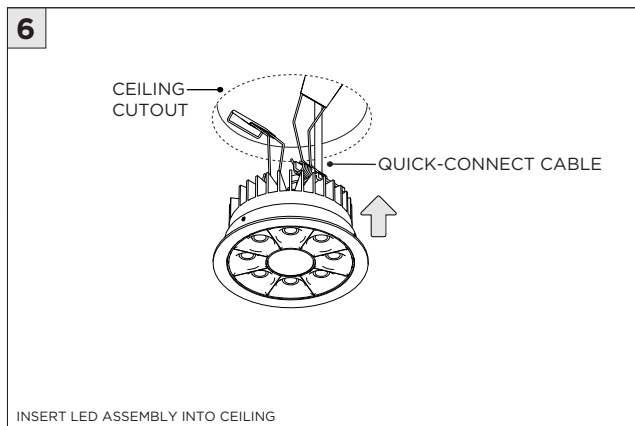
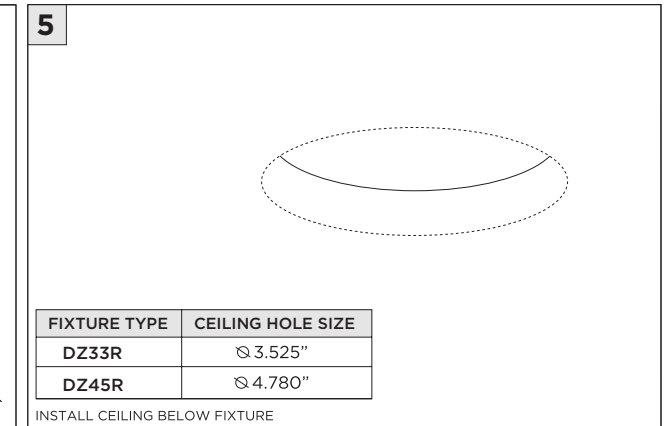
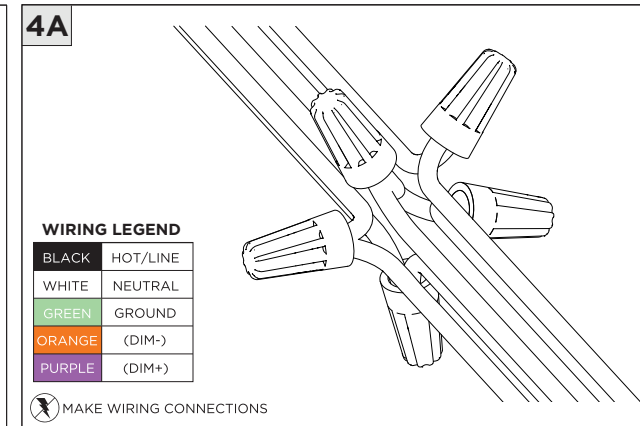
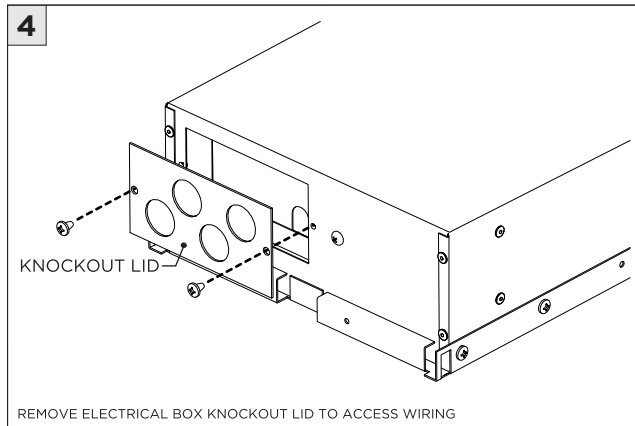
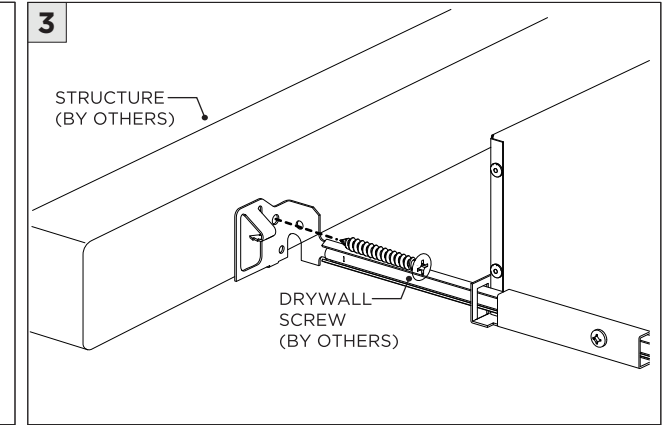
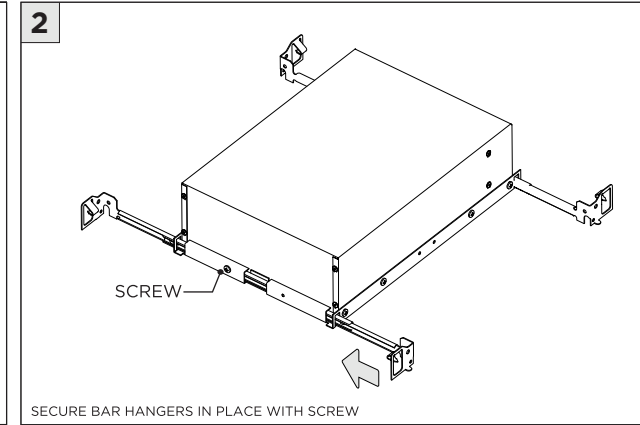
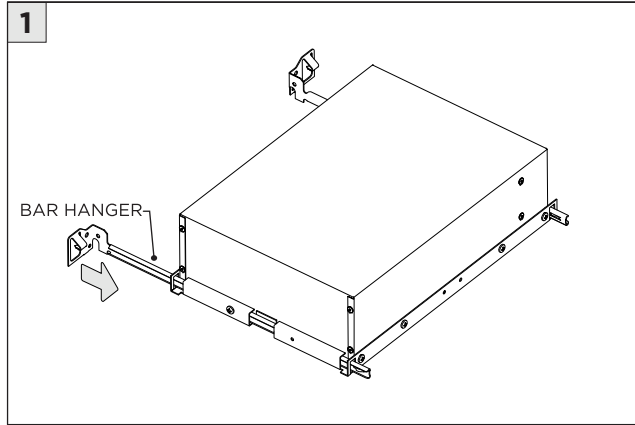
INSERT LED ASSEMBLY INTO CEILING

9A



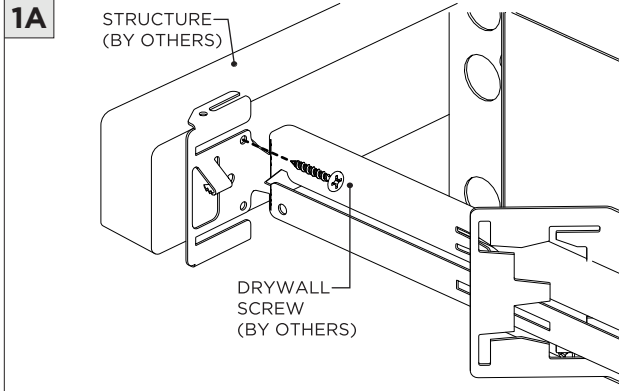
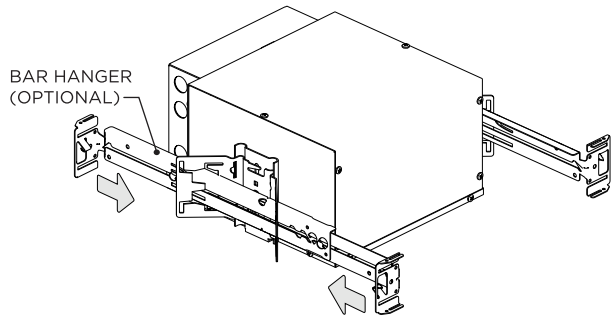
CONNECT QUICK-CONNECT CABLE TO LED ASSEMBLY

SH - SHALLOW HOUSING (FOR NEW CONSTRUCTION ONLY)

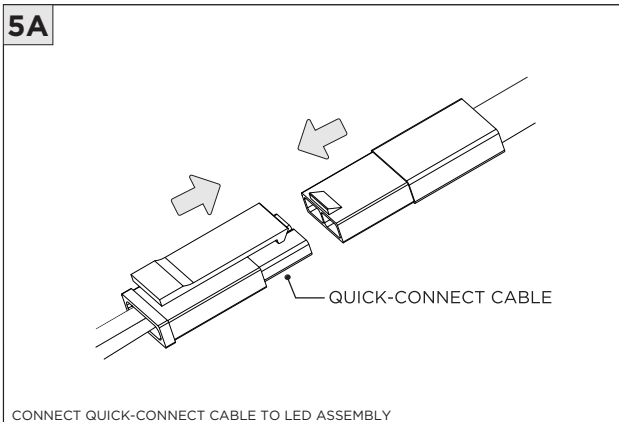
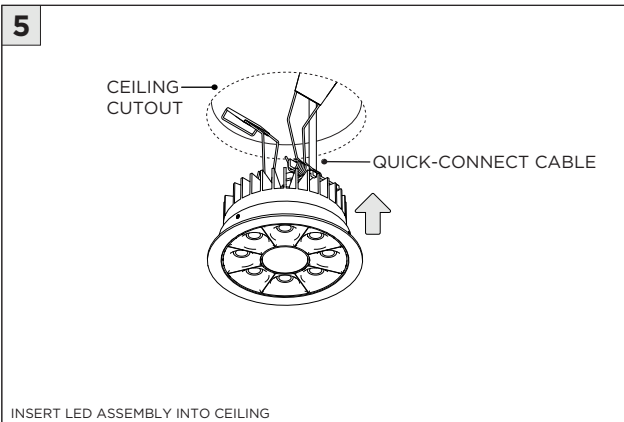
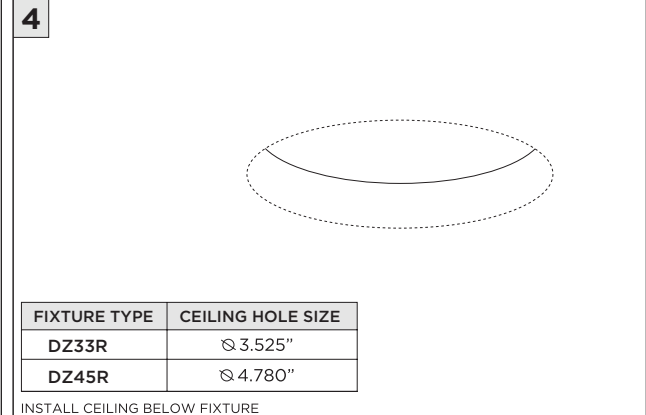
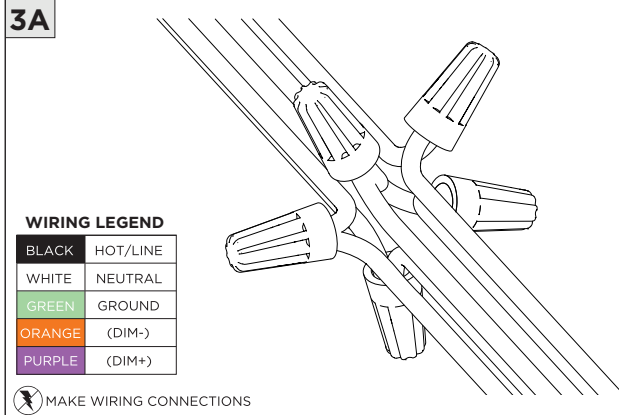
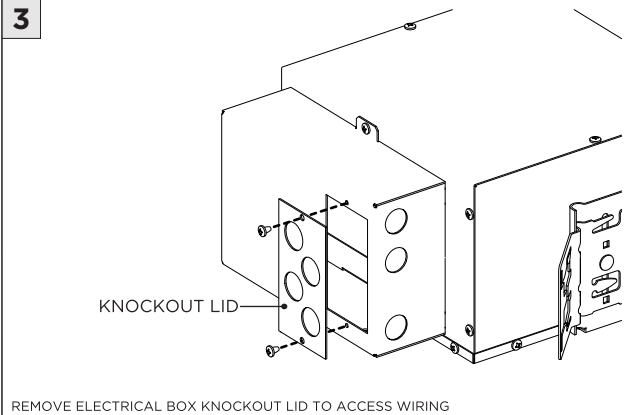
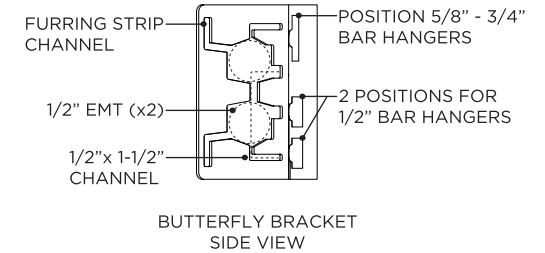


NC/IC - NEW CONSTRUCTION HOUSING (FOR NEW CONSTRUCTION ONLY)

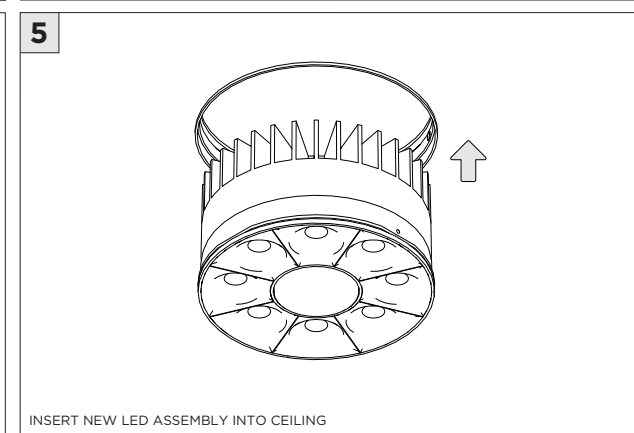
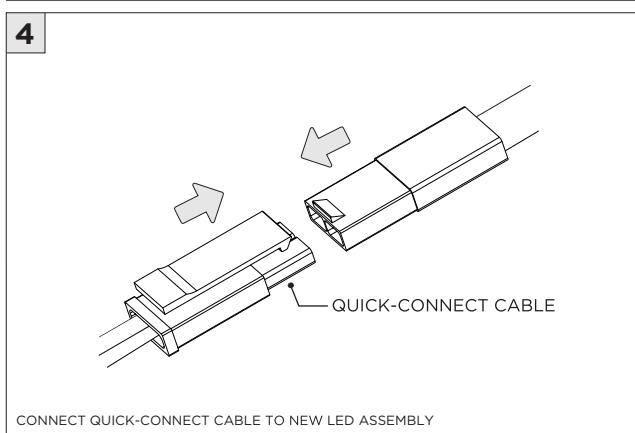
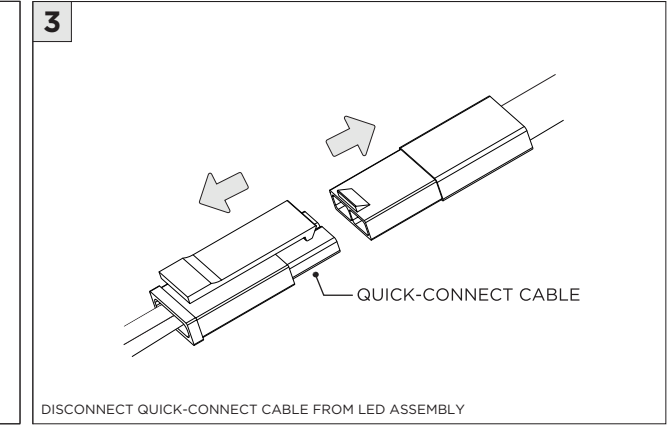
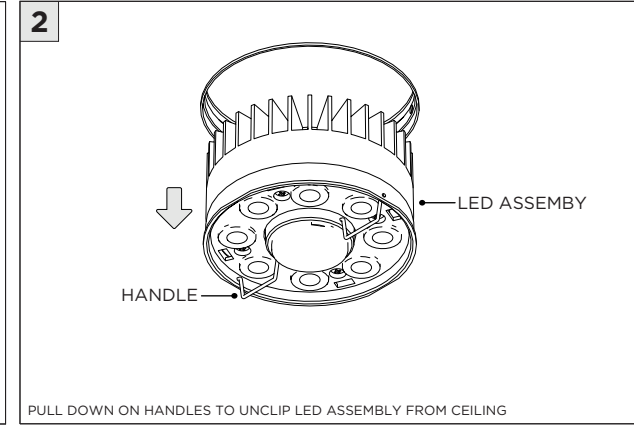
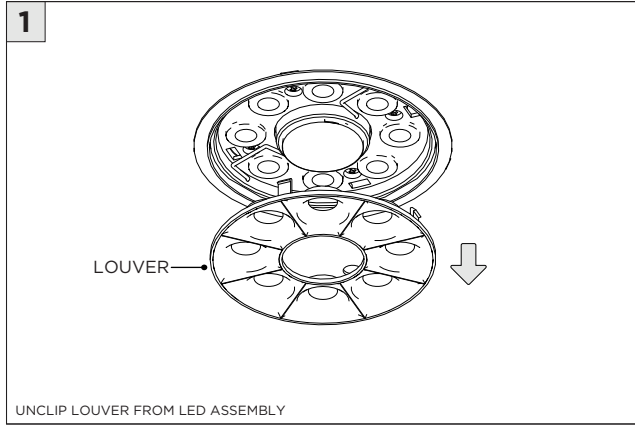
1 BAR HANGER INSTALLATION
(IF SUPPLIED BY 3G)



2 OTHER BAR HANGER INSTALLATION
(NOT PROVIDED BY 3G)

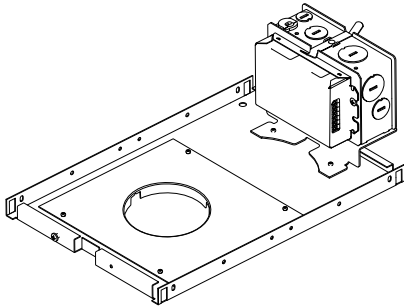


LED SERVICING



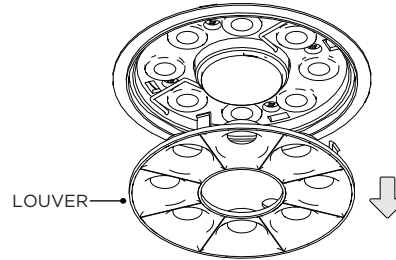
DRIVER SERVICING

1 NCF - NEW CONSTRUCTION FRAME



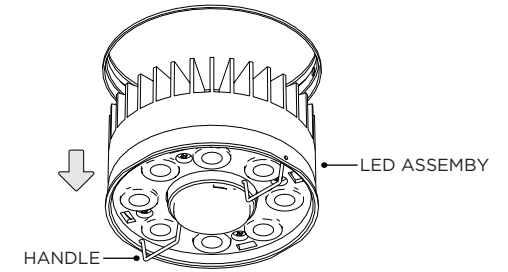
DISCONNECT POWER BEFORE SERVICING

2



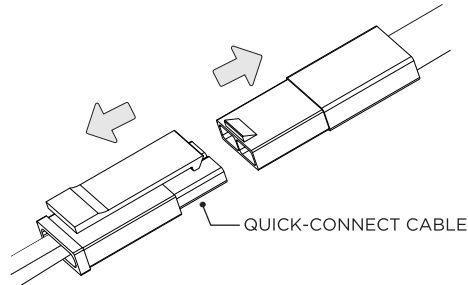
UNCLIP LOUVER FROM LED ASSEMBLY

2A



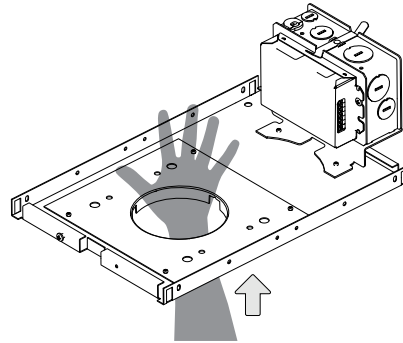
PULL DOWN ON HANDLES TO UNCLIP LED ASSEMBLY FROM CEILING

3

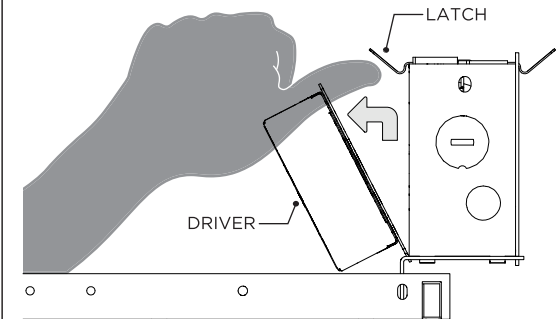


DISCONNECT QUICK-CONNECT CABLE FROM LED ASSEMBLY

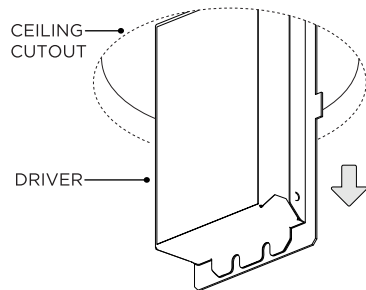
4



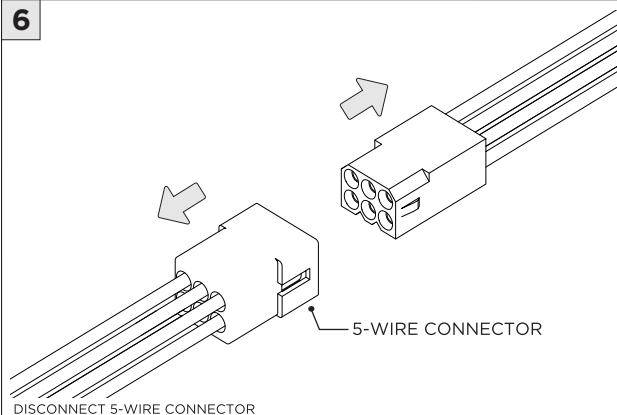
5



5A



6

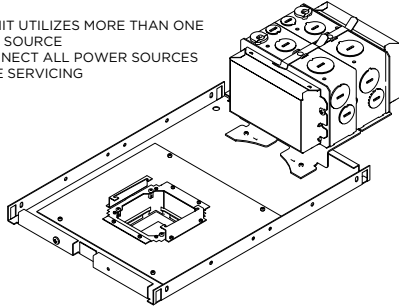


DISCONNECT 5-WIRE CONNECTOR

DRIVER SERVICING

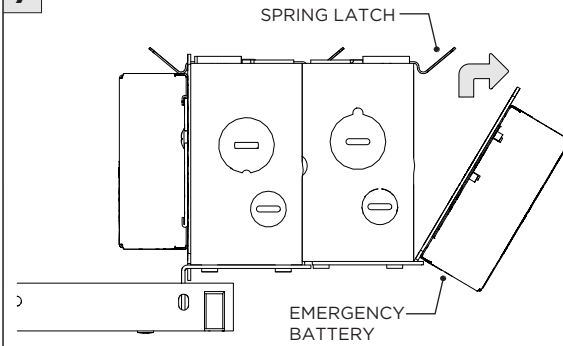
6 NCF - NEW CONSTRUCTION FRAME
FOR INTEGRATED BATTERY ONLY

⚠ THIS UNIT UTILIZES MORE THAN ONE
POWER SOURCE
✂ DISCONNECT ALL POWER SOURCES
BEFORE SERVICING



ⓘ ACCESS ABOVE CEILING REQUIRED FOR DRIVER SERVICING

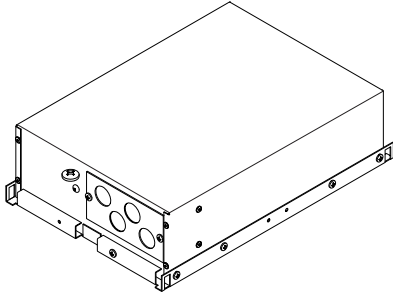
7



REMOVE BATTERY BOX COVER TO ACCESS WIRING

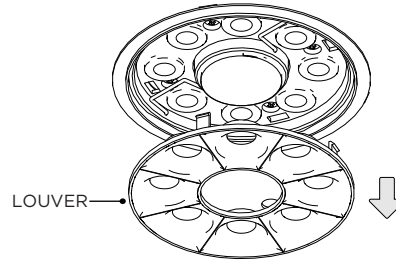
DRIVER SERVICING

1 SH - SHALLOW HOUSING



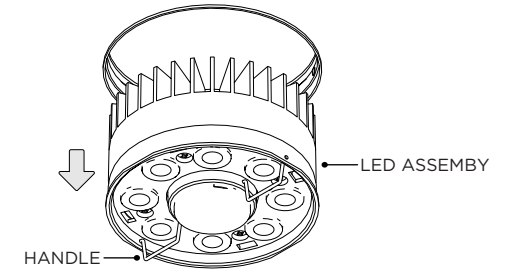
DISCONNECT POWER BEFORE SERVICING

2



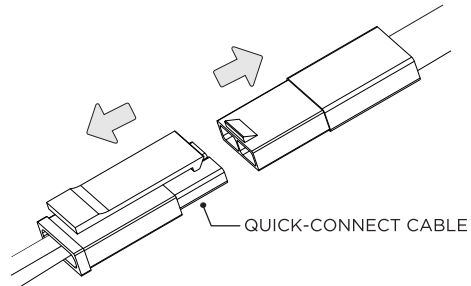
UNCLIP LOUVER FROM LED ASSEMBLY

2A



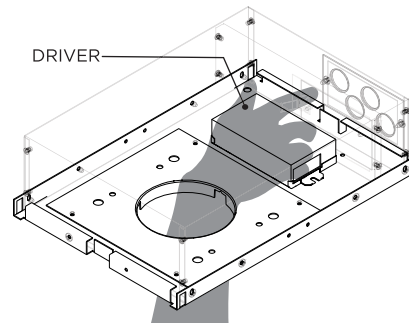
PULL DOWN ON HANDLES TO UNCLIP LED ASSEMBLY FROM CEILING

3



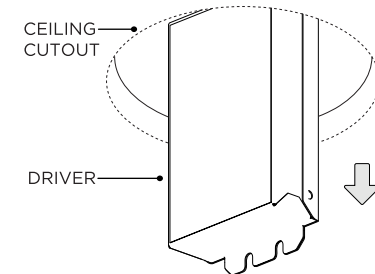
DISCONNECT QUICK-CONNECT CABLE FROM LED ASSEMBLY

4

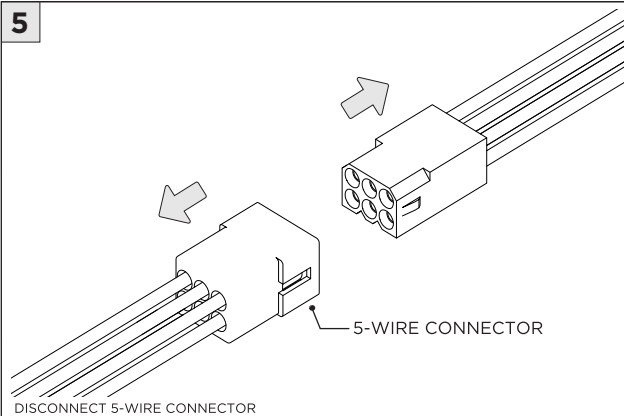


REMOVE DRIVER - SECURED WITH HOOK-AND-LOOP FASTENER

4A



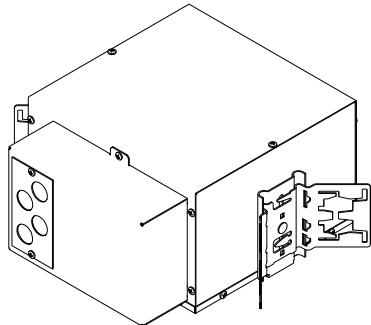
5



DISCONNECT 5-WIRE CONNECTOR

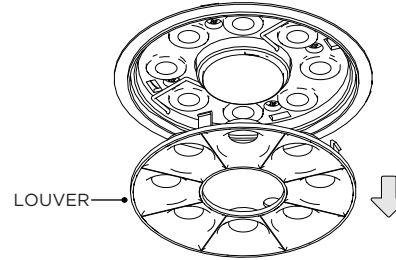
DRIVER SERVICING

1 NC/IC - NEW CONSTRUCTION HOUSING



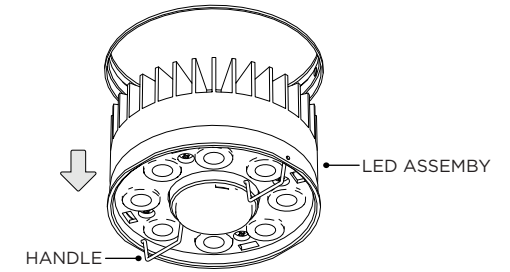
DISCONNECT POWER BEFORE SERVICING

2



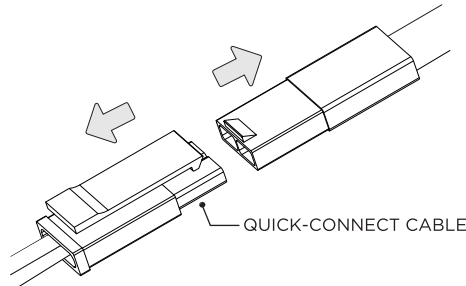
UNCLIP LOUVER FROM LED ASSEMBLY

2A



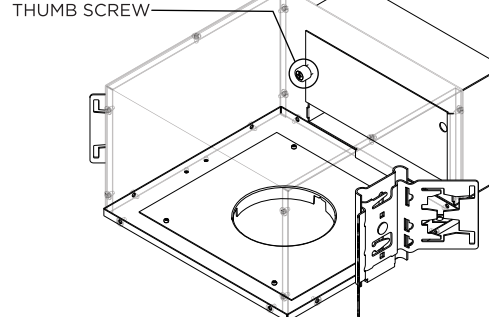
PULL DOWN ON HANDLES TO UNCLIP LED ASSEMBLY FROM CEILING

3



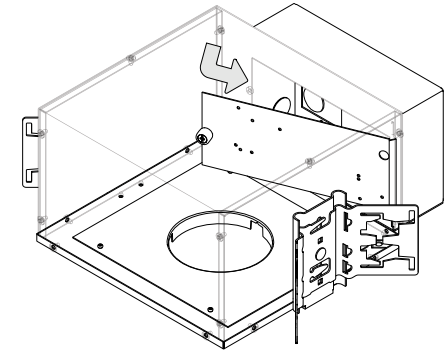
DISCONNECT SAFETY CABLE & QUICK-CONNECT CABLE FROM LED ASSEMBLY

4

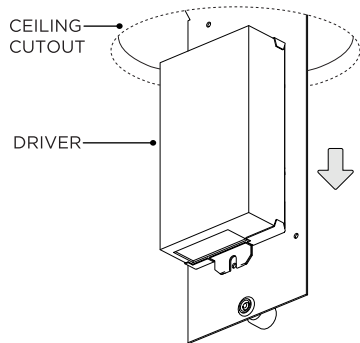


THUMB SCREW

5



5A



6

