

3.3"/4.5" ROUND ZONE DOWNLIGHT TRIM




i THE IMAGES SHOWN ARE FOR ILLUSTRATION PURPOSES ONLY AND MAY NOT BE AN EXACT REPRESENTATION OF THE PRODUCT

INCLUDED COMPONENTS	
<p>RMD - REMODEL</p> <p>LED INSERT DRIVER ENCLOSURE</p>	<p>NCF - NEW CONSTRUCTION FRAME (FOR NEW CONSTRUCTION ONLY)</p> <p>LED INSERT NEW CONSTRUCTION FRAME BAR HANGERS</p>
<p>SH - SHALLOW HOUSING (FOR NEW CONSTRUCTION ONLY)</p> <p>LED INSERT SHALLOW HOUSING BAR HANGERS</p>	<p>NC/IC - NEW CONSTRUCTION HOUSING (FOR NEW CONSTRUCTION ONLY)</p> <p>LED INSERT NEW CONSTRUCTION HOUSING BAR HANGERS (OPTIONAL)</p>

INSTRUCTION KEY	INFORMATION
	ADDITIONAL INSTALLATION SHOULD ONLY BE PERFORMED BY A CERTIFIED ELECTRICIAN
	ATTENTION REFER TO LOCAL/NATIONAL CODES FOR PROPER INSTALLATION
	POWER ON FAILURE TO FOLLOW INSTALLATION INSTRUCTION MAY VOID THE WARRANTY
	POWER OFF DO NOT TOUCH LEDS. LEDS MUST BE PROTECTED FROM MECHANICAL STRESS OR DEBRIS TURN OFF POWER DURING INSTALLATION OR SERVICING

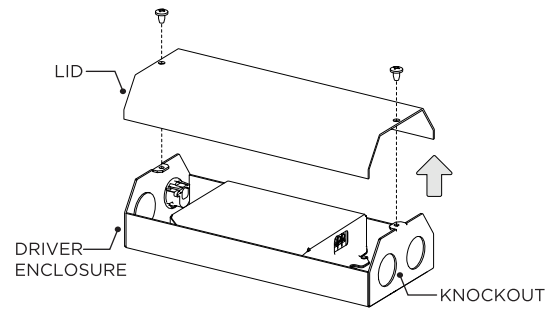
RMD - REMODEL

1



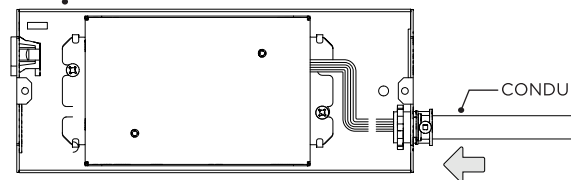
FIXTURE TYPE	CEILING HOLE SIZE
DZ33R	Ø 3.8125"
DZ45R	Ø 5.1250"

2



REMOVE LID AND KNOCKOUT FROM DRIVER ENCLOSURE

3

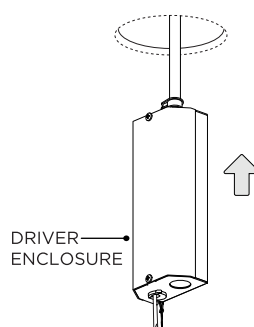


WIRING LEGEND

BLACK	HOT/LINE
WHITE	NEUTRAL
GREEN	GROUND
ORANGE	(DIM-)
PURPLE	(DIM+)

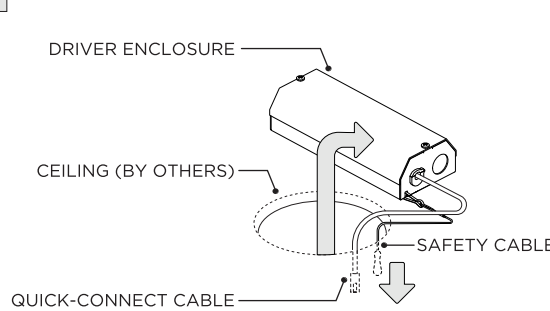
CONNECT CONDUIT TO DRIVER ENCLOSURE AND MAKE WIRING CONNECTIONS

4



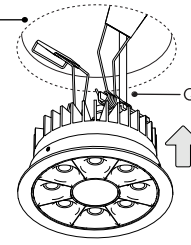
SECURE LID ONTO DRIVER ENCLOSURE AND INSERT INTO CEILING

5



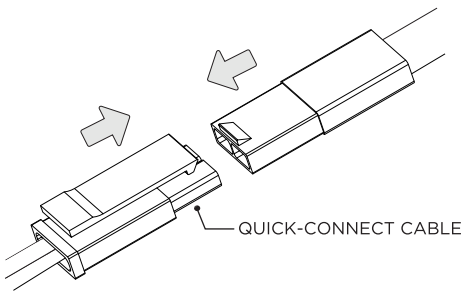
PLACE DRIVER ENCLOSURE ABOVE CEILING

6



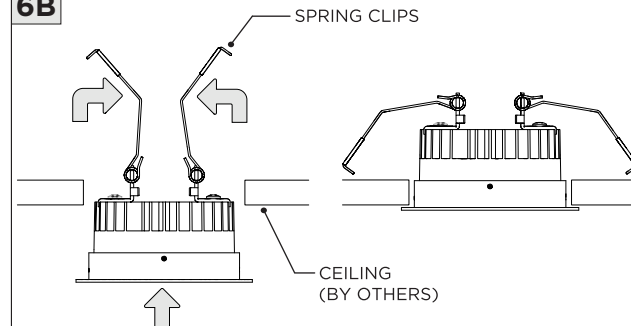
INSERT LED ASSEMBLY INTO CEILING

6A



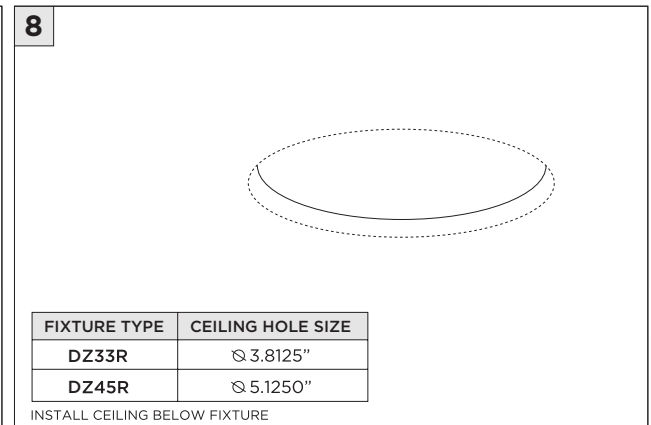
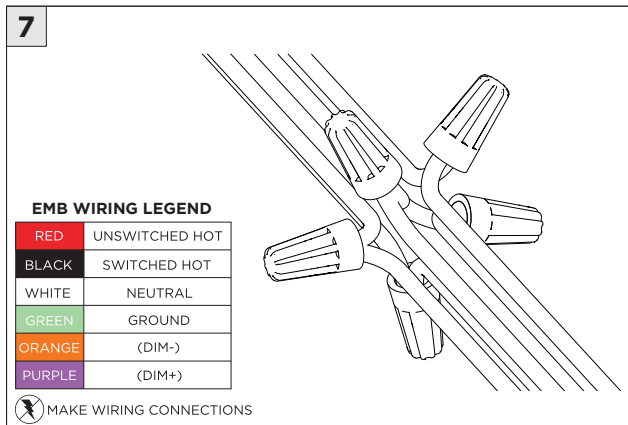
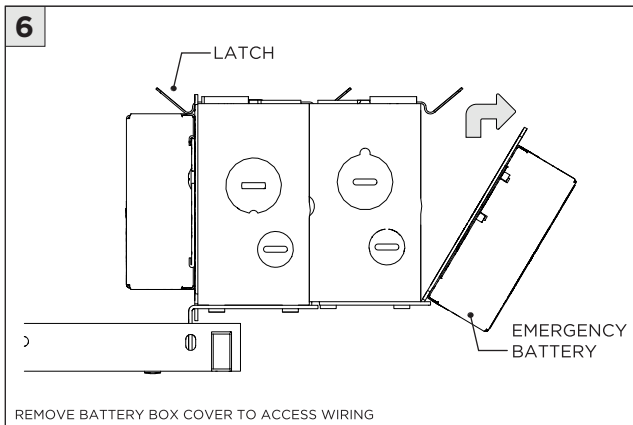
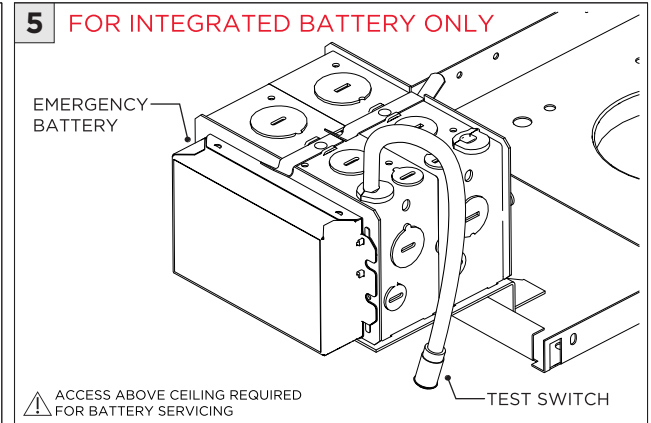
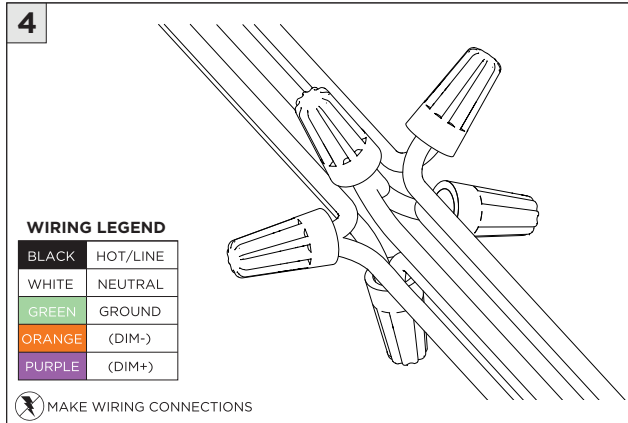
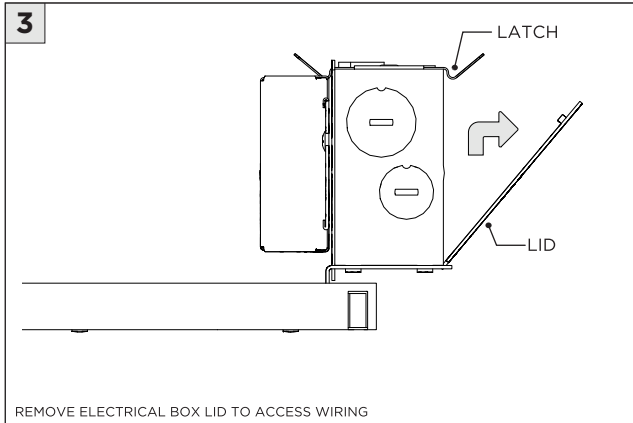
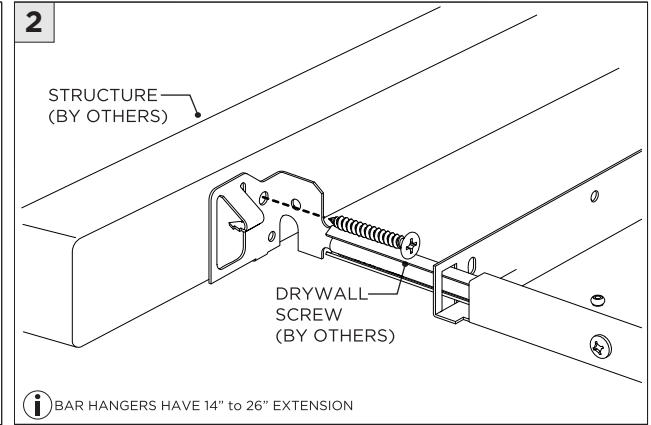
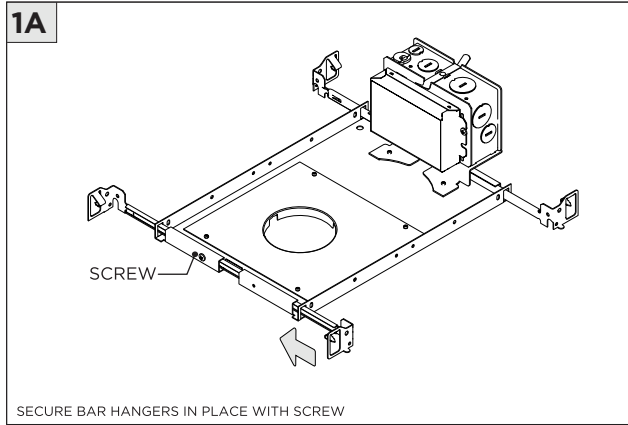
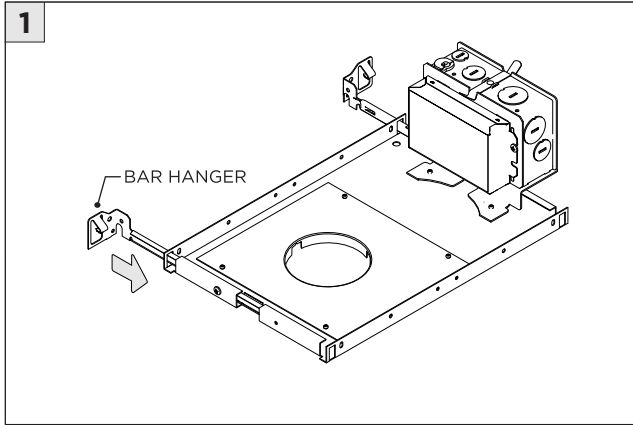
CONNECT QUICK-CONNECT CABLE TO LED ASSEMBLY

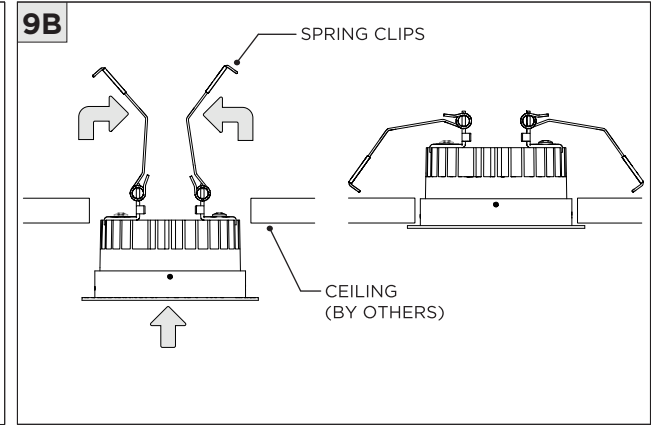
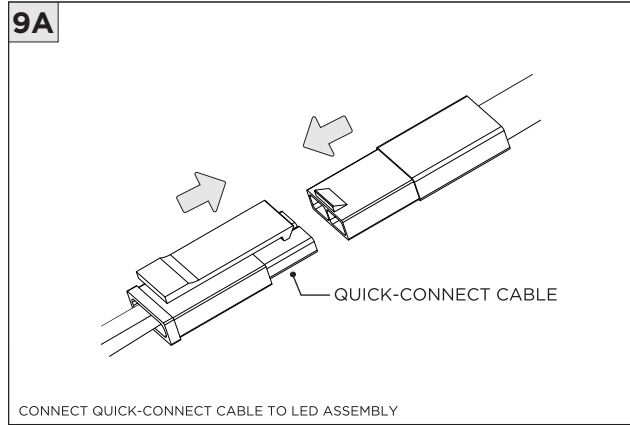
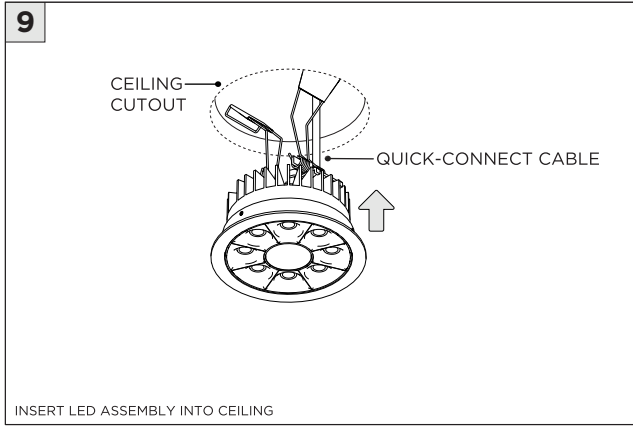
6B



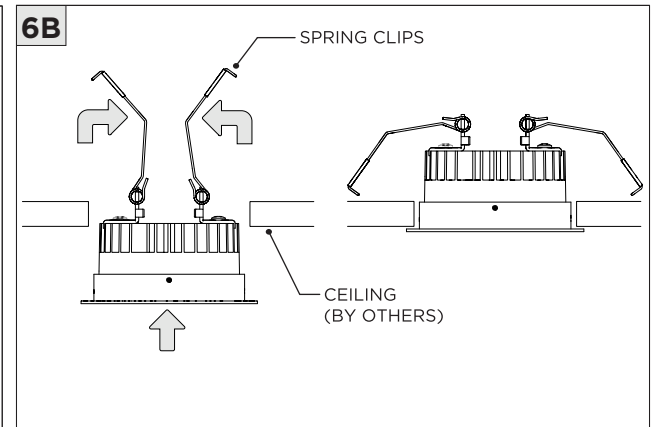
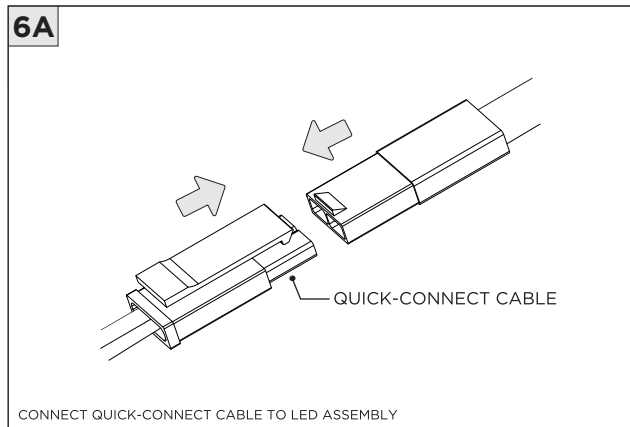
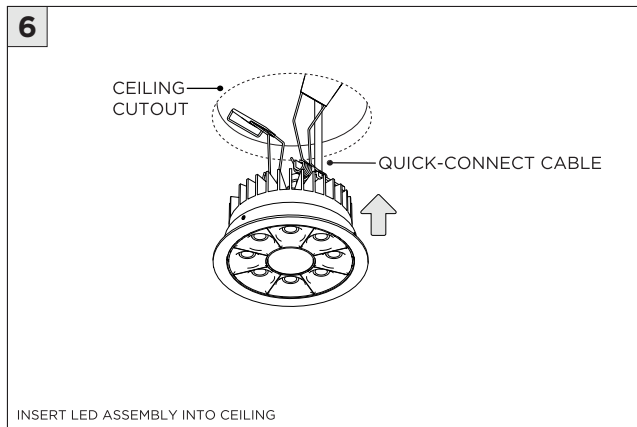
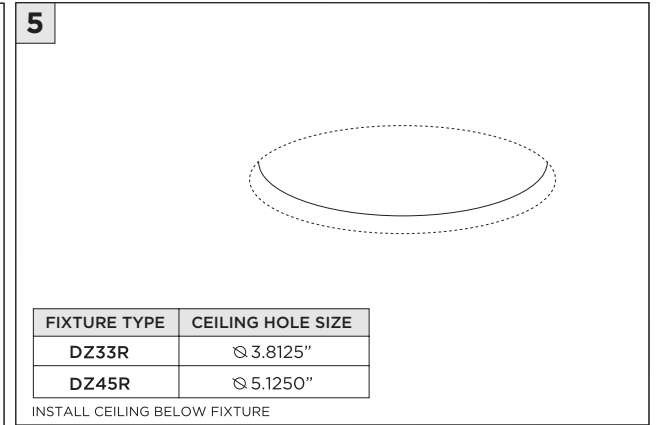
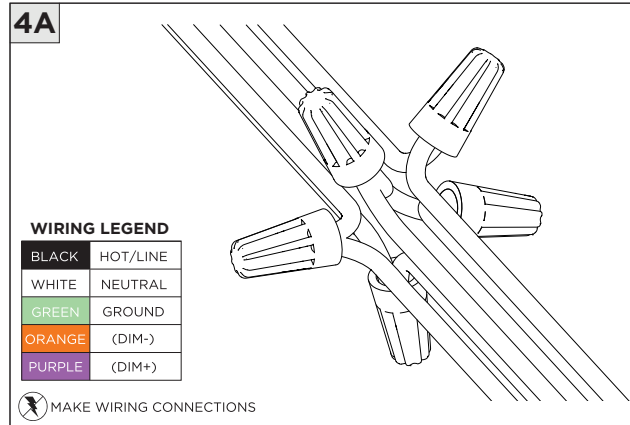
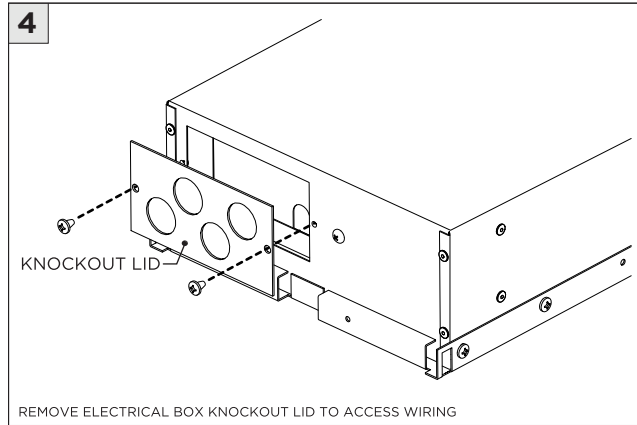
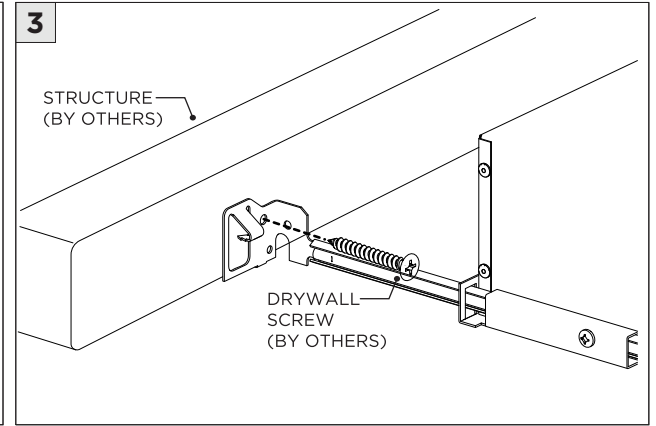
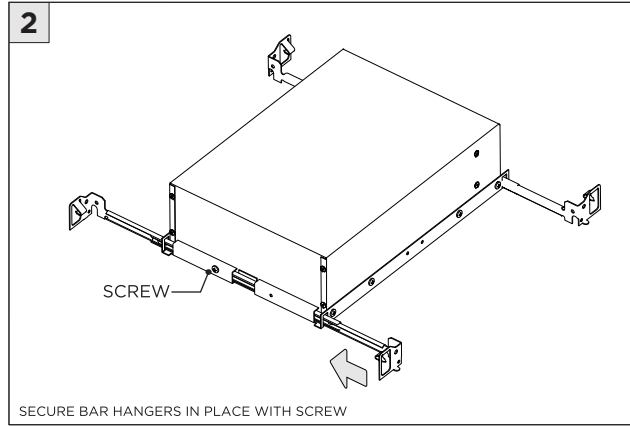
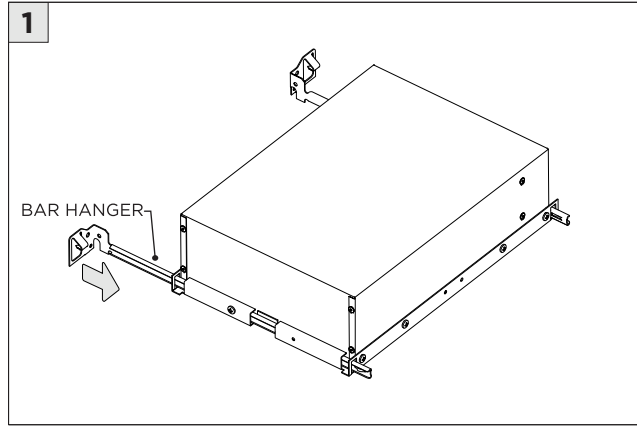
CEILING (BY OTHERS)

NCF - NEW CONSTRUCTION FRAME (FOR NEW CONSTRUCTION ONLY)





SH - SHALLOW HOUSING (FOR NEW CONSTRUCTION ONLY)



NC/IC - NEW CONSTRUCTION HOUSING (FOR NEW CONSTRUCTION ONLY)

1 BAR HANGER INSTALLATION
(IF SUPPLIED BY 3G)

BAR HANGER (OPTIONAL)

BUTTERFLY BRACKET

1A

STRUCTURE (BY OTHERS)

DRYWALL SCREW (BY OTHERS)

2 OTHER BAR HANGER INSTALLATION
(NOT PROVIDED BY 3G)

FURRING STRIP CHANNEL

1/2" EMT (x2)

1/2"x 1-1/2" CHANNEL

POSITION 5/8" - 3/4" BAR HANGERS

2 POSITIONS FOR 1/2" BAR HANGERS

BUTTERFLY BRACKET SIDE VIEW

3

KNOCKOUT LID

REMOVE ELECTRICAL BOX KNOCKOUT LID TO ACCESS WIRING

3A

WIRING LEGEND

BLACK	HOT/LINE
WHITE	NEUTRAL
GREEN	GROUND
ORANGE	(DIM-)
PURPLE	(DIM+)

MAKE WIRING CONNECTIONS

4

FIXTURE TYPE	CEILING HOLE SIZE
DZ33R	∅ 3.8125"
DZ45R	∅ 5.1250"

INSTALL CEILING BELOW FIXTURE

5

CEILING CUTOUT

QUICK-CONNECT CABLE

INSERT LED ASSEMBLY INTO CEILING

5A

QUICK-CONNECT CABLE

CONNECT QUICK-CONNECT CABLE TO LED ASSEMBLY

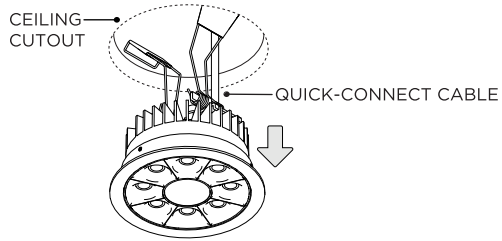
5B

SPRING CLIPS

CEILING (BY OTHERS)

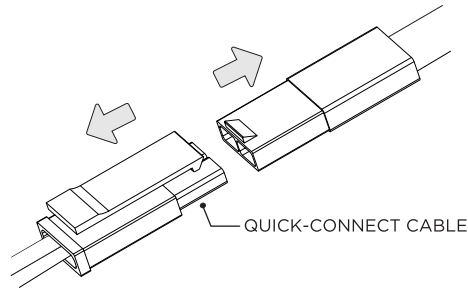
LED SERVICING

1



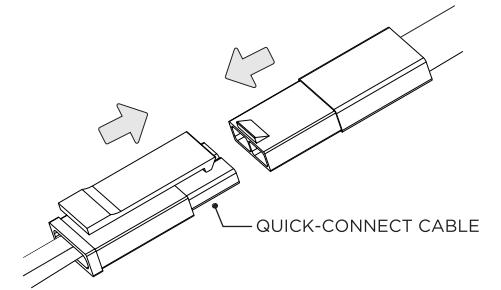
REMOVE LED ASSEMBLY FROM CEILING

2



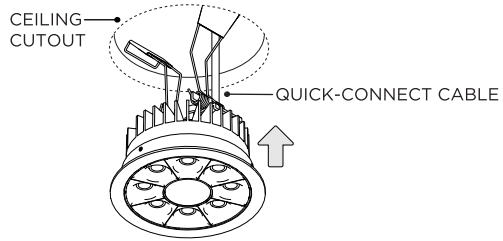
DISCONNECT QUICK-CONNECT CABLE FROM LED ASSEMBLY

3



CONNECT QUICK-CONNECT CABLE TO NEW LED ASSEMBLY

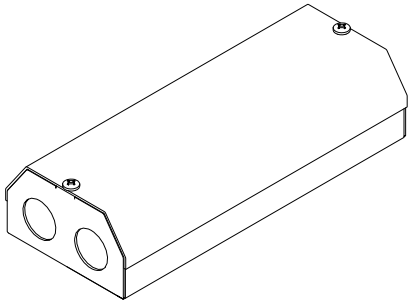
4



INSERT NEW LED ASSEMBLY INTO CEILING

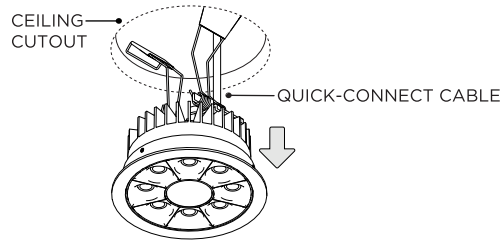
DRIVER SERVICING

1 RMD - REMODEL



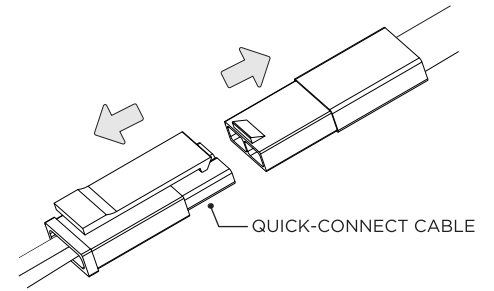
DISCONNECT POWER BEFORE SERVICING

2



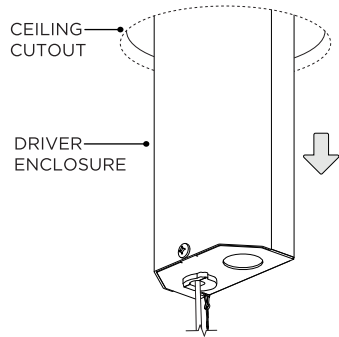
REMOVE LED ASSEMBLY FROM CEILING

2A

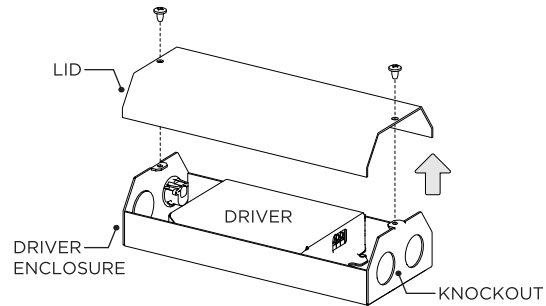


DISCONNECT QUICK-CONNECT CABLE FROM LED ASSEMBLY

3

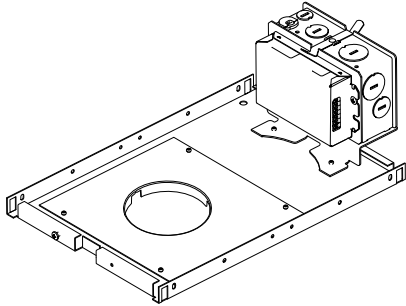


4



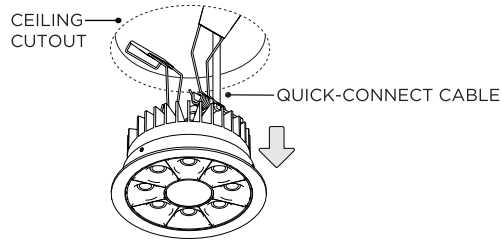
DRIVER SERVICING

1 NCF - NEW CONSTRUCTION FRAME



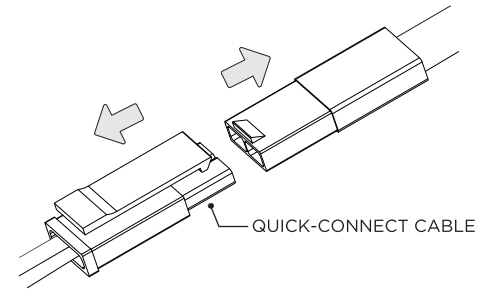
DISCONNECT POWER BEFORE SERVICING

2



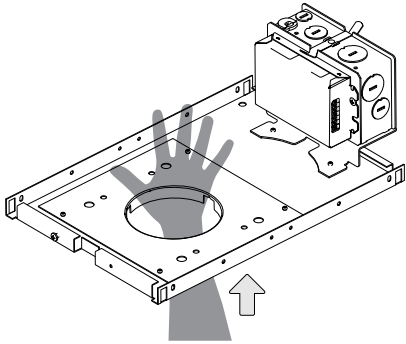
REMOVE LED ASSEMBLY FROM CEILING

2A

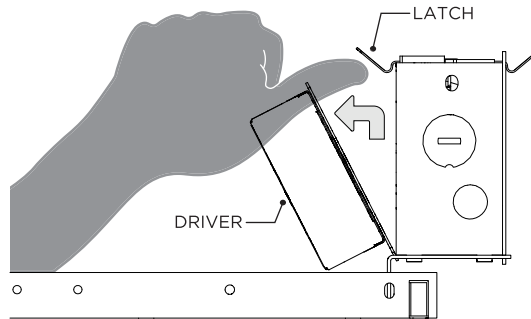


DISCONNECT QUICK-CONNECT CABLE FROM LED ASSEMBLY

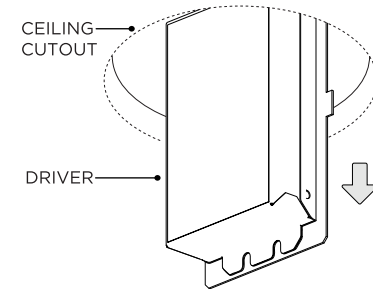
3



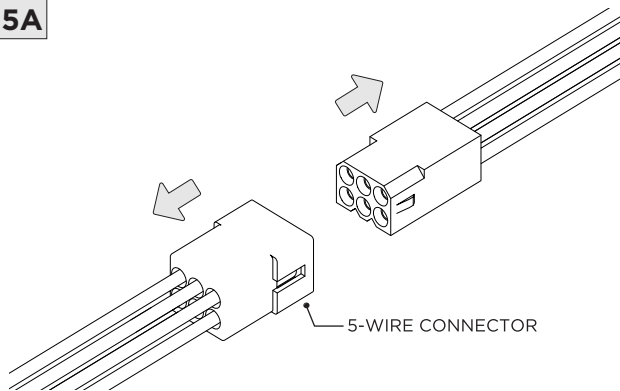
4



5



5A

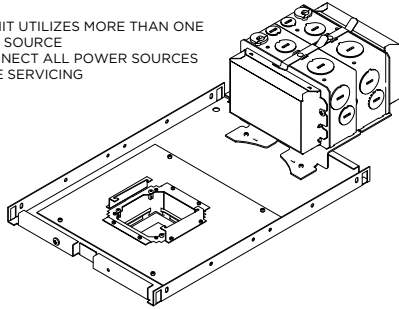


DISCONNECT 5-WIRE CONNECTOR

DRIVER SERVICING

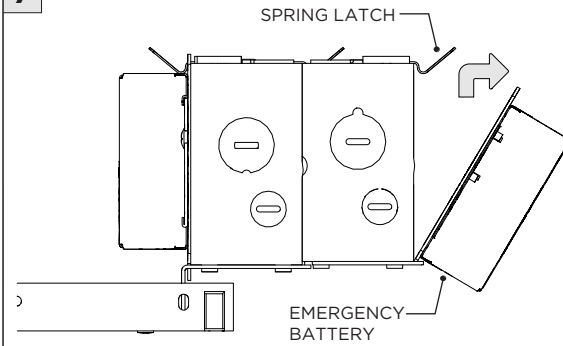
**6 NCF - NEW CONSTRUCTION FRAME
FOR INTEGRATED BATTERY ONLY**

⚠ THIS UNIT UTILIZES MORE THAN ONE
POWER SOURCE
✂ DISCONNECT ALL POWER SOURCES
BEFORE SERVICING



ⓘ ACCESS ABOVE CEILING REQUIRED FOR DRIVER SERVICING

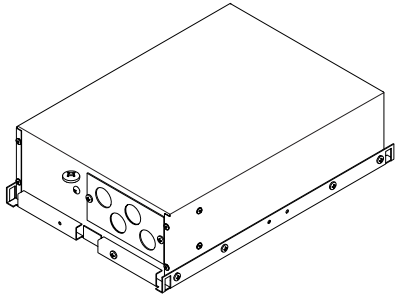
7



REMOVE BATTERY BOX COVER TO ACCESS WIRING

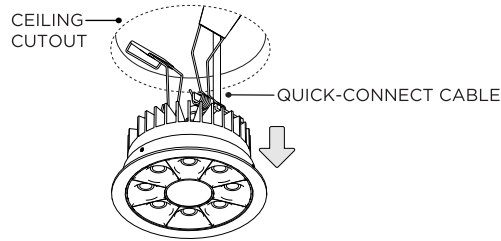
DRIVER SERVICING

1 SH - SHALLOW HOUSING



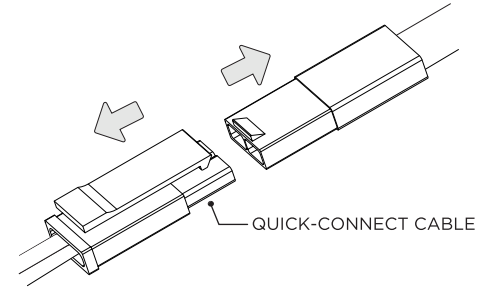
⚡ DISCONNECT POWER BEFORE SERVICING

2



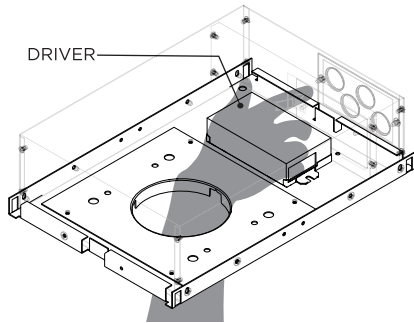
REMOVE LED ASSEMBLY FROM CEILING

2A



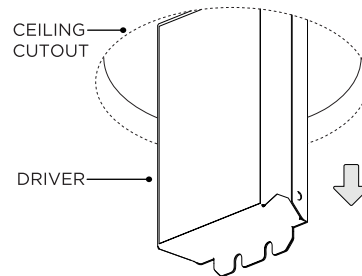
DISCONNECT QUICK-CONNECT CABLE FROM LED ASSEMBLY

3

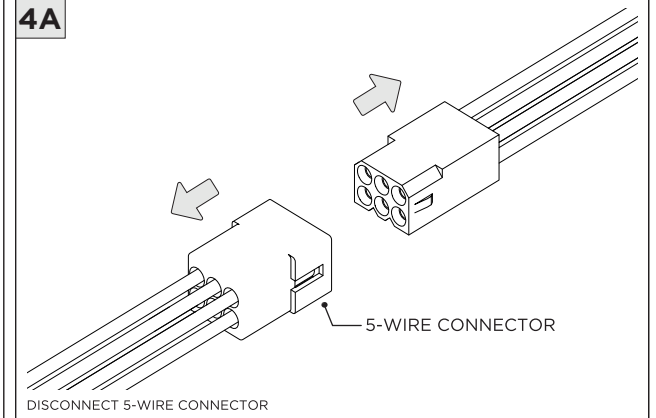


REMOVE DRIVER - SECURED WITH HOOK-AND-LOOP FASTENER

4

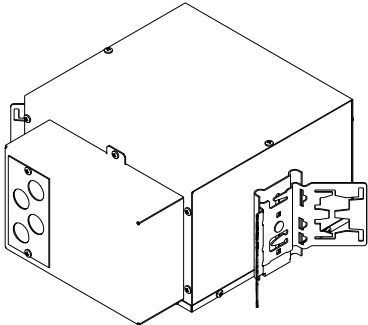


4A



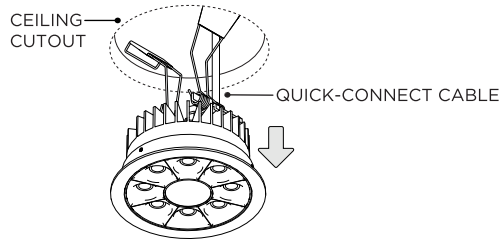
DRIVER SERVICING

1 NC/IC - NEW CONSTRUCTION HOUSING



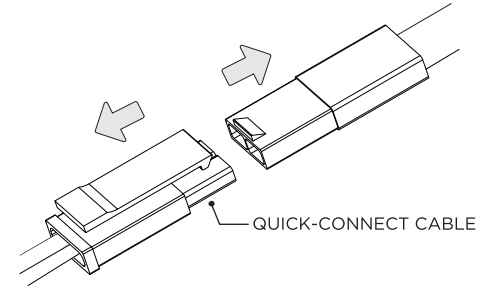
DISCONNECT POWER BEFORE SERVICING

2



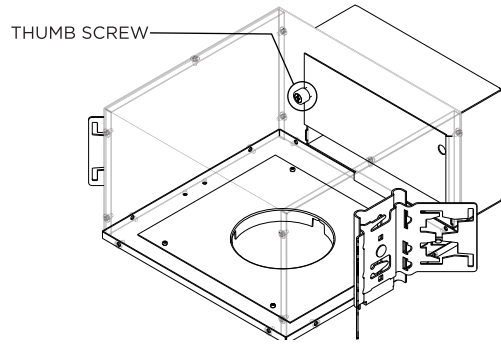
REMOVE LED ASSEMBLY FROM CEILING

2A

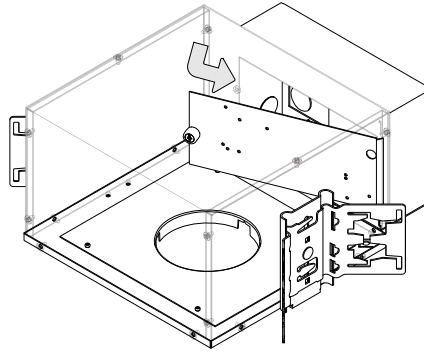


DISCONNECT QUICK-CONNECT CABLE FROM LED ASSEMBLY

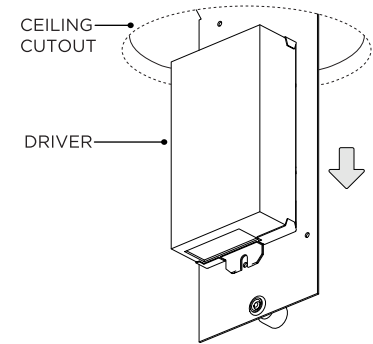
3



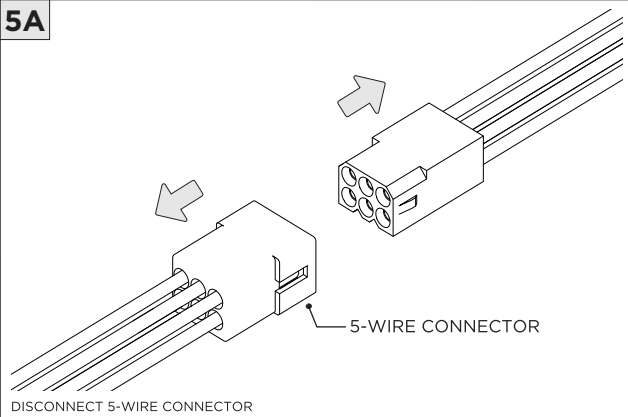
4



5



5A



DISCONNECT 5-WIRE CONNECTOR