

3.3" SQUARE ZOIÉ PENDANT

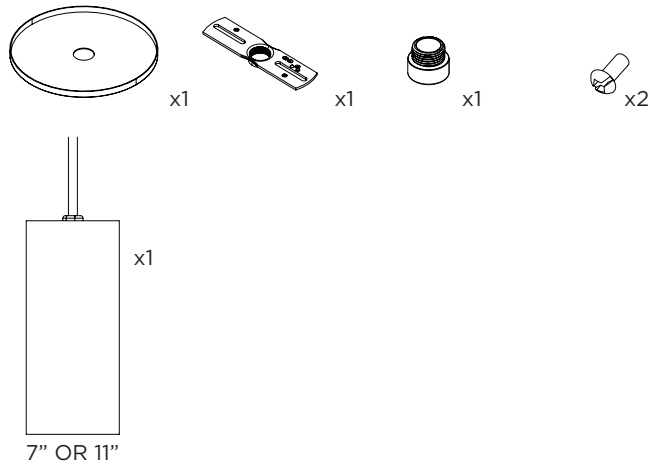
CABLE PENDANT MOUNT



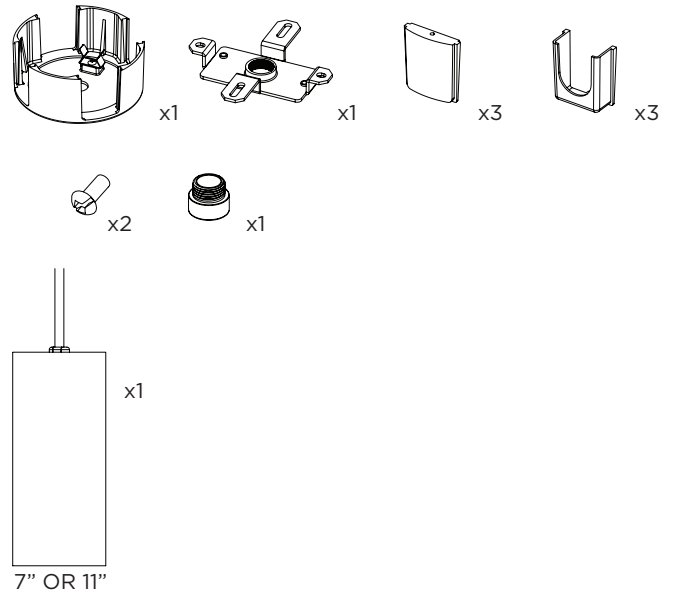
i THE IMAGES SHOWN ARE FOR ILLUSTRATION ONLY AND MAY NOT BE AN EXACT REPRESENTATION OF THE PRODUCT

COMPONENTS

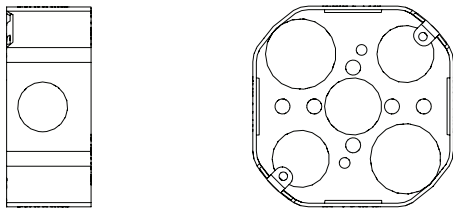
STANDARD CANOPY



CONDUIT FEED CANOPY



4" OCTAGONAL J-BOX REQUIRED FOR INSTALLATION

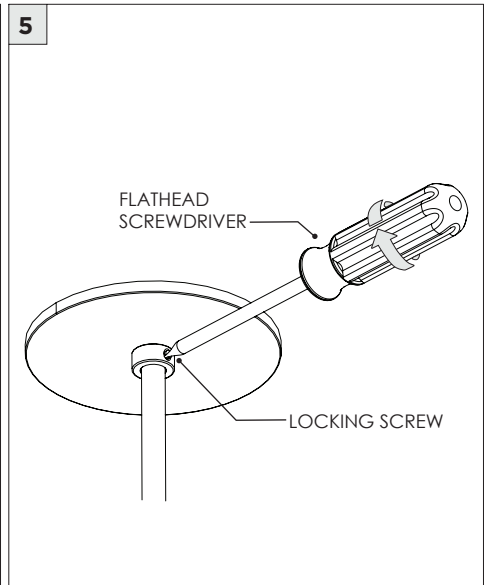
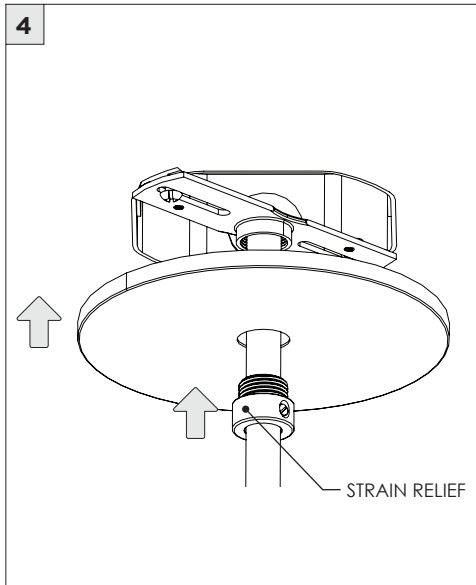
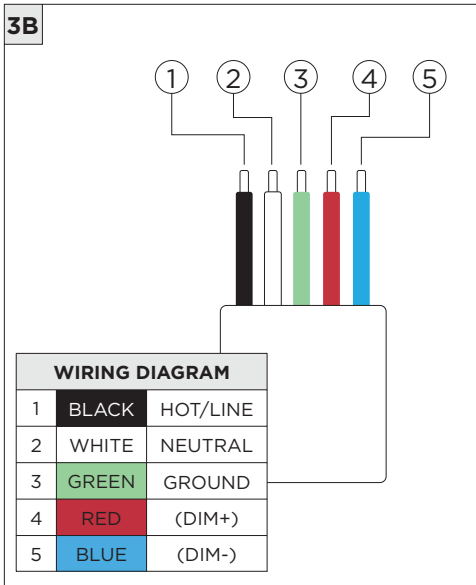
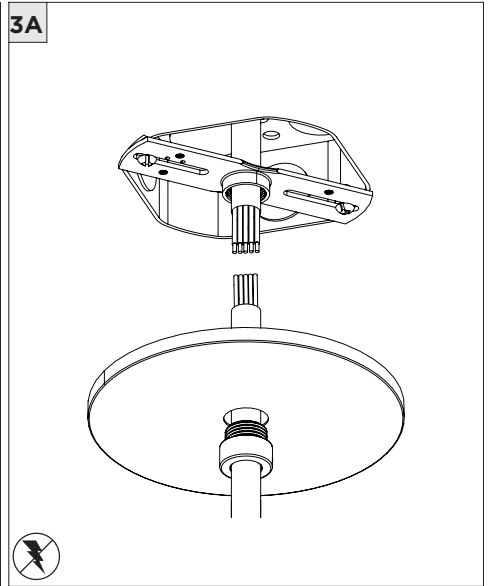
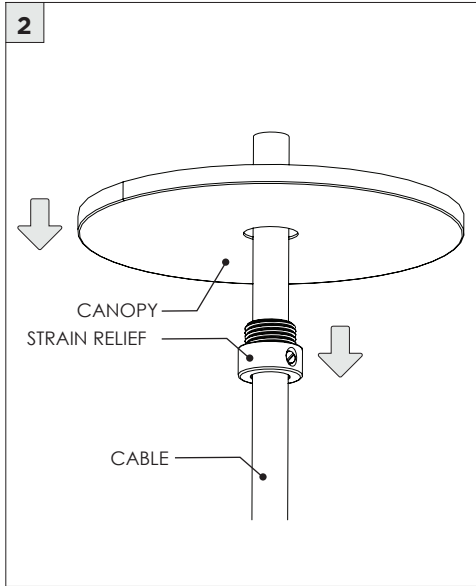
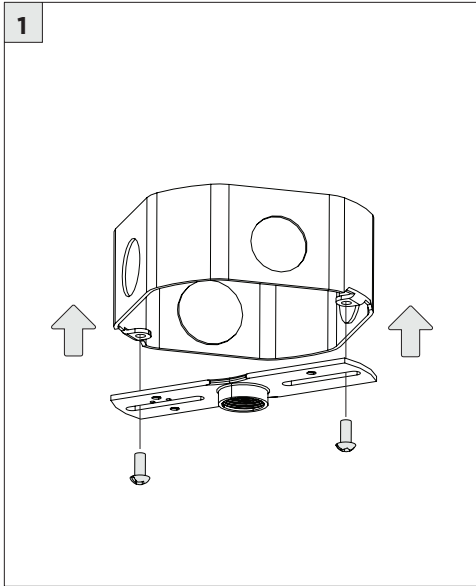


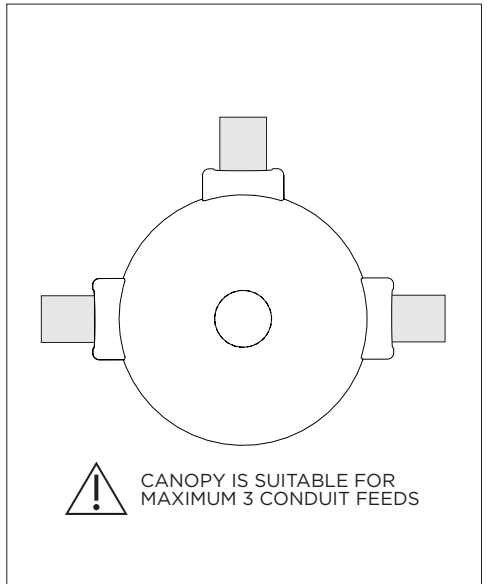
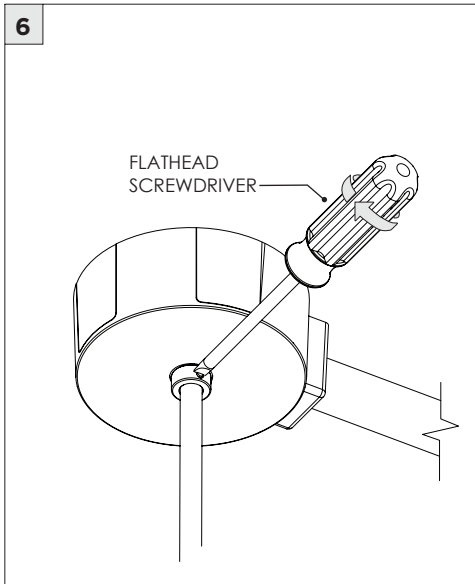
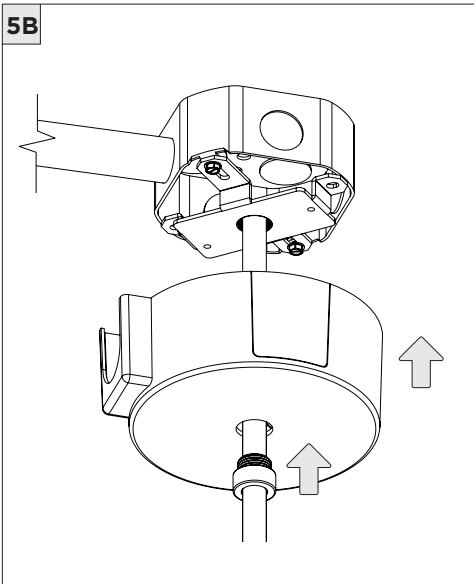
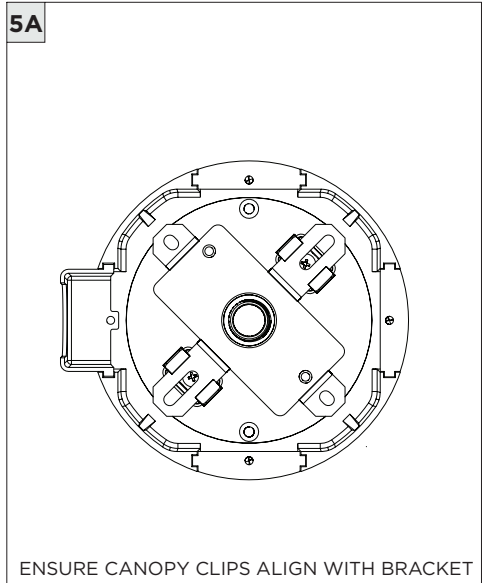
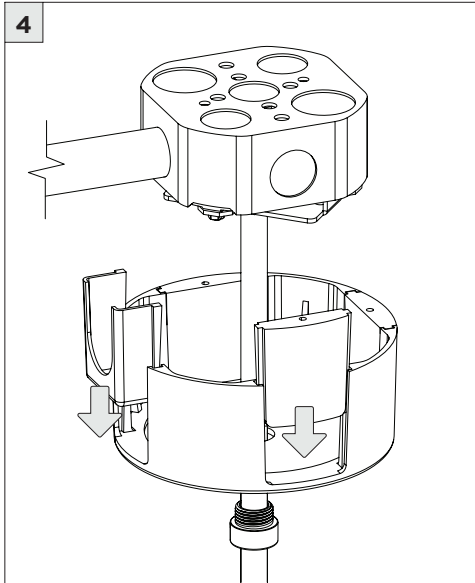
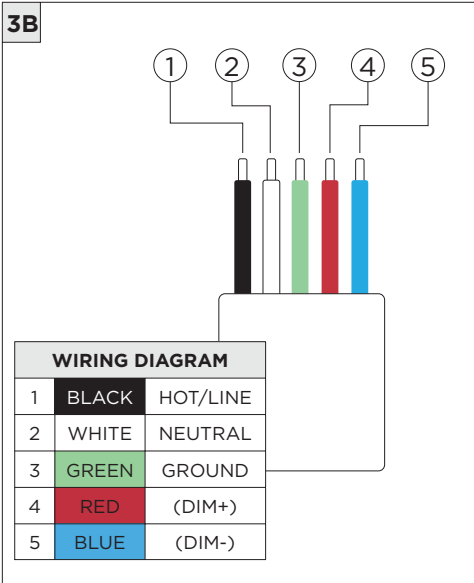
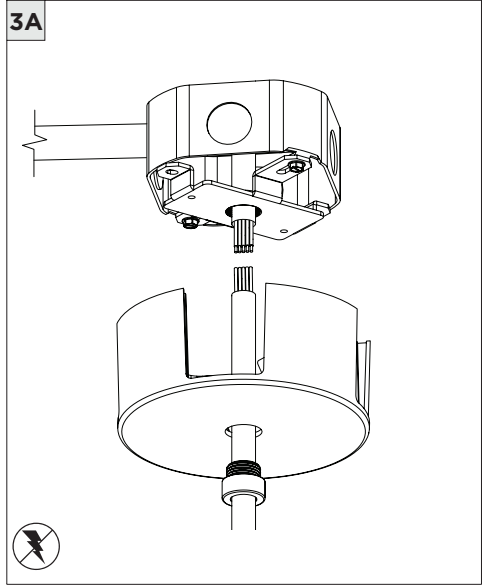
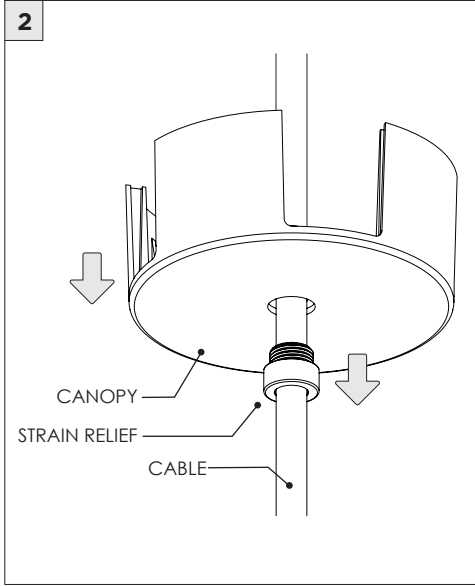
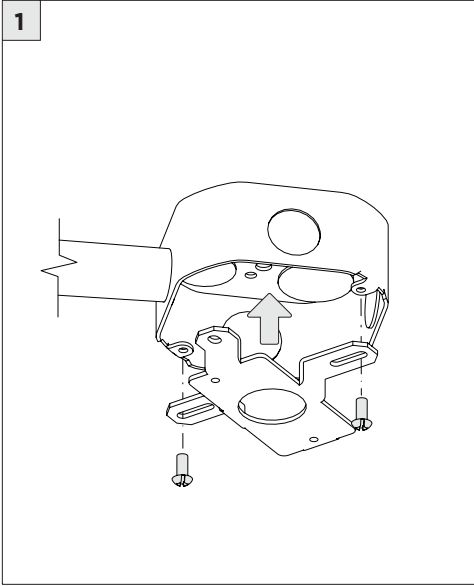
JUNCTION BOX (BY OTHERS)

INSTRUCTION KEY

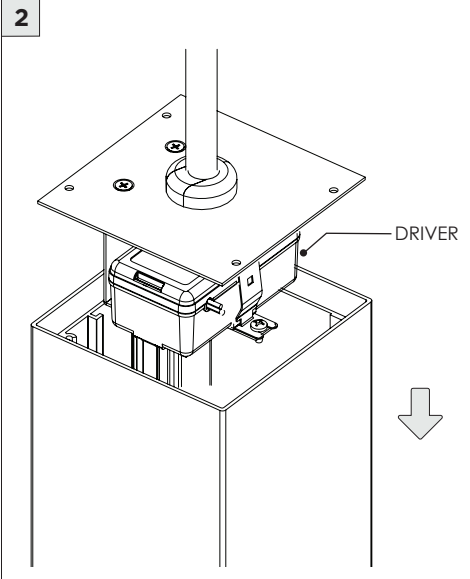
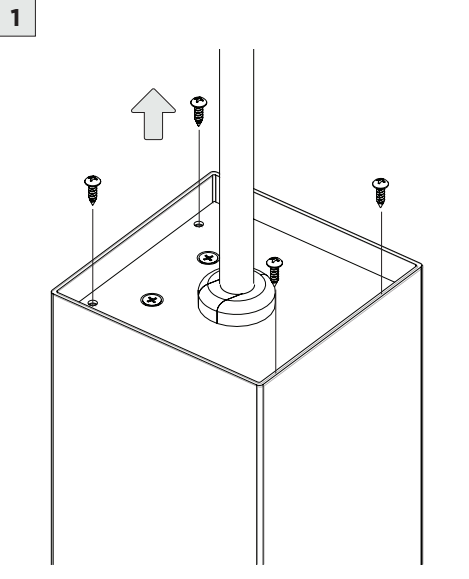
INFORMATION

	ADDITIONAL	INSTALLATION SHOULD ONLY BE PERFORMED BY A CERTIFIED ELECTRICIAN REFER TO LOCAL/NATIONAL CODES FOR PROPER INSTALLATION FAILURE TO FOLLOW INSTALLATION INSTRUCTION MAY VOID THE WARRANTY DO NOT TOUCH LEDS. LEDS MUST BE PROTECTED FROM MECHANICAL STRESS OR DEBRIS TURN OFF POWER DURING INSTALLATION OR SERVICING
	ATTENTION	
	POWER ON	
	POWER OFF	





DRIVER SERVICING



LED SERVICING

