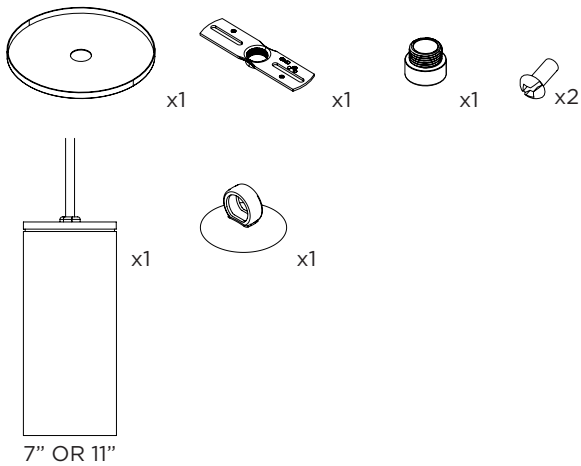


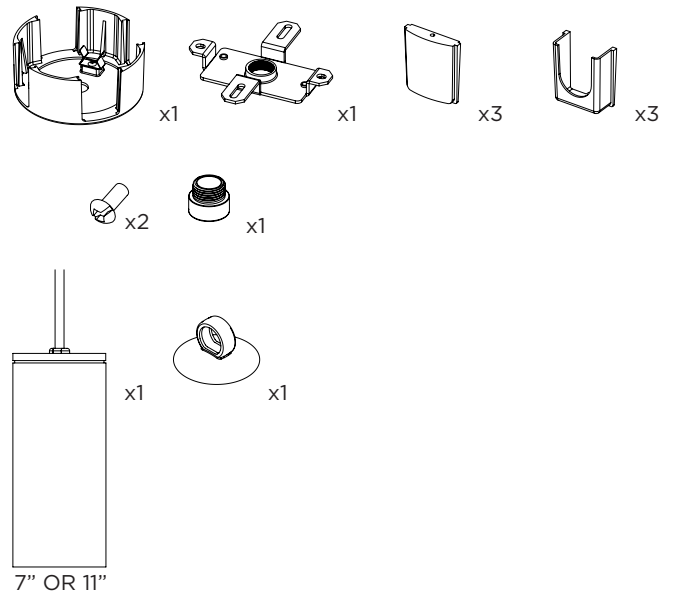


COMPONENTS

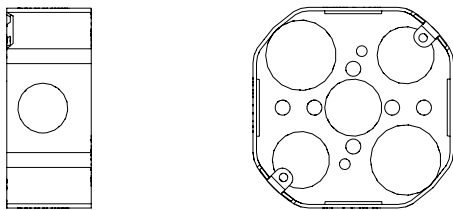
STANDARD CANOPY



CONDUIT FEED CANOPY



4" OCTAGONAL J-BOX REQUIRED FOR INSTALLATION



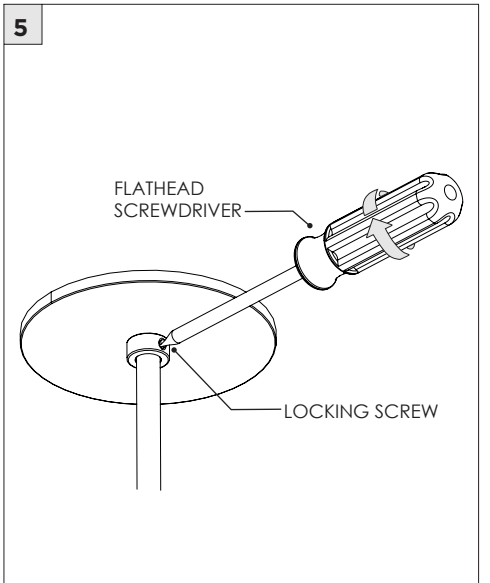
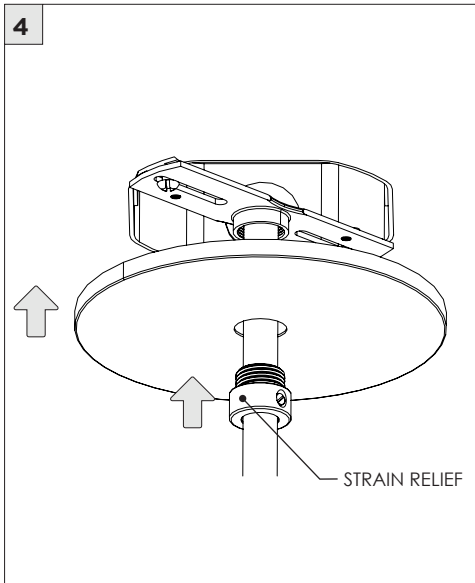
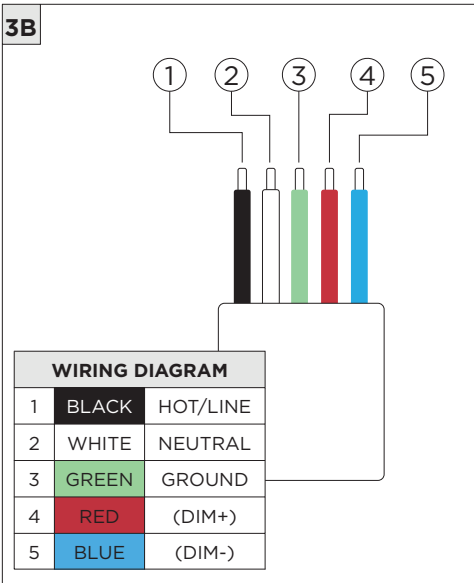
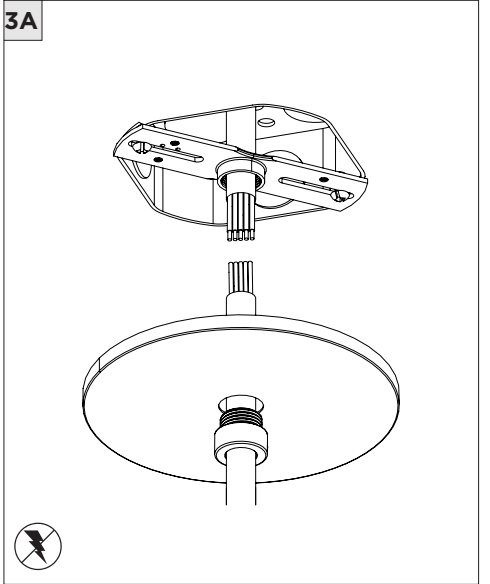
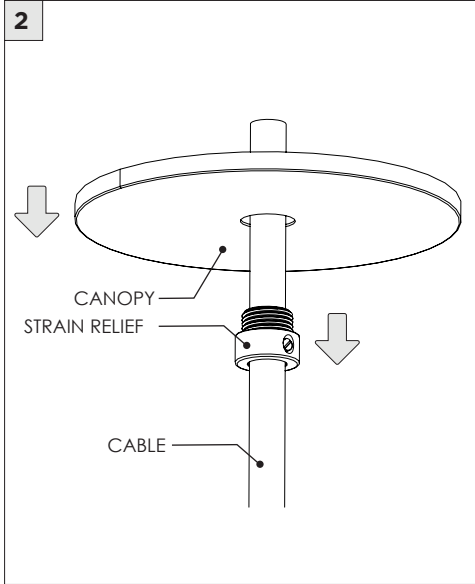
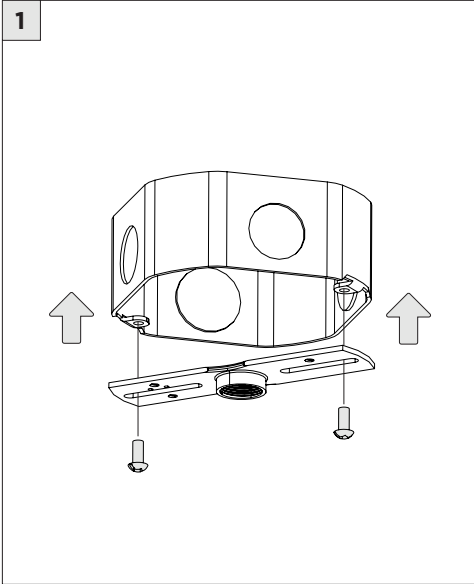
JUNCTION BOX (BY OTHERS)

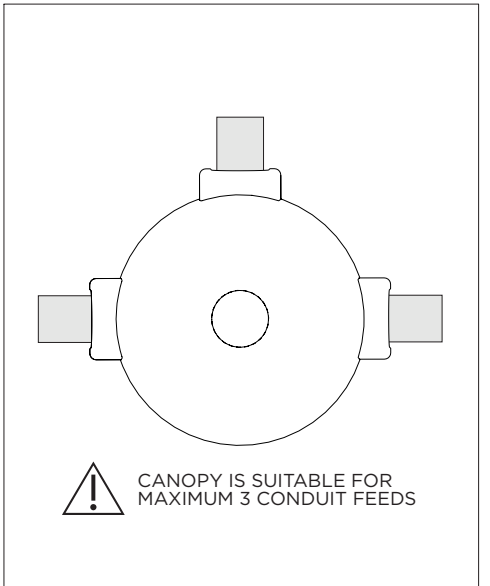
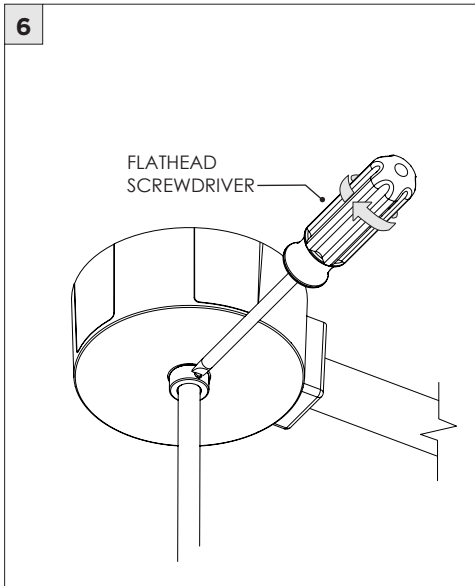
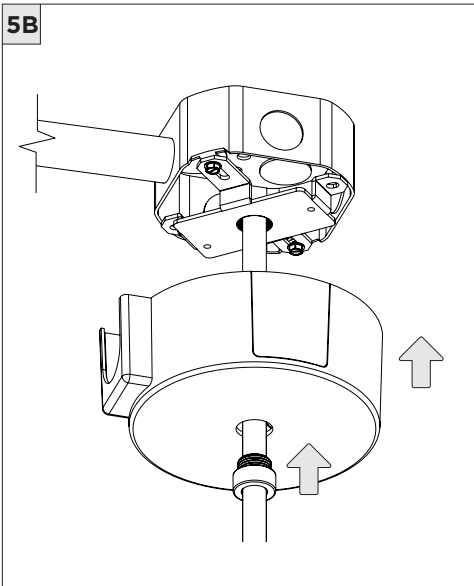
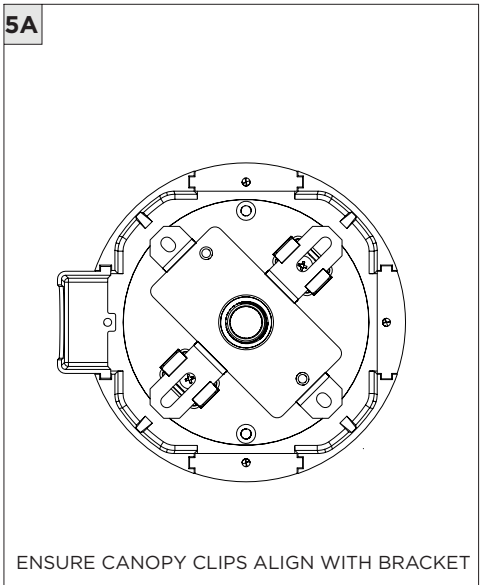
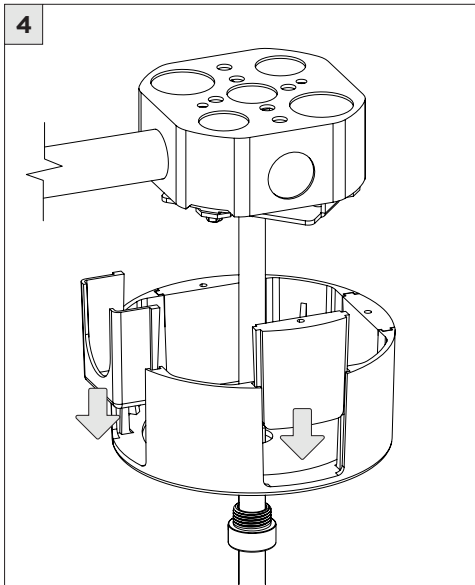
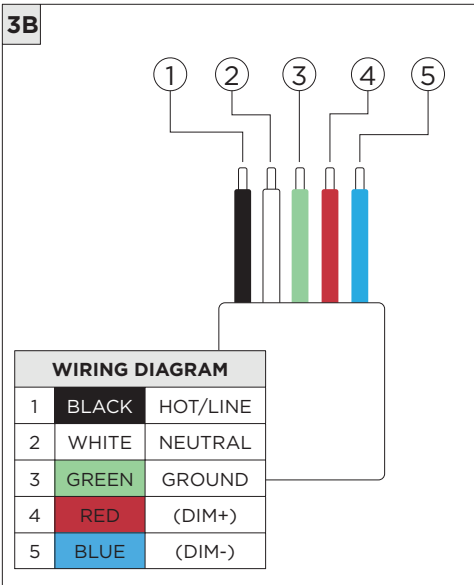
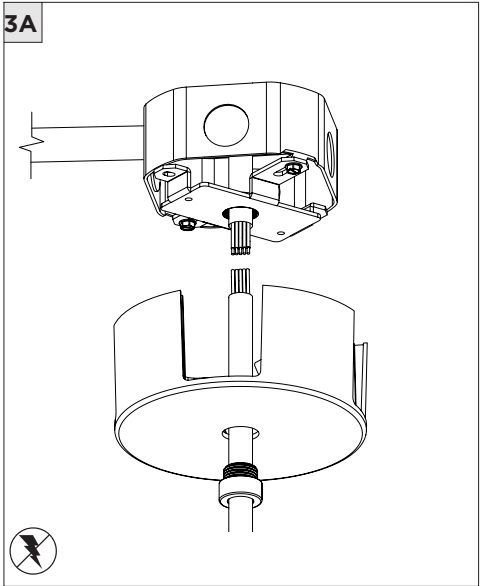
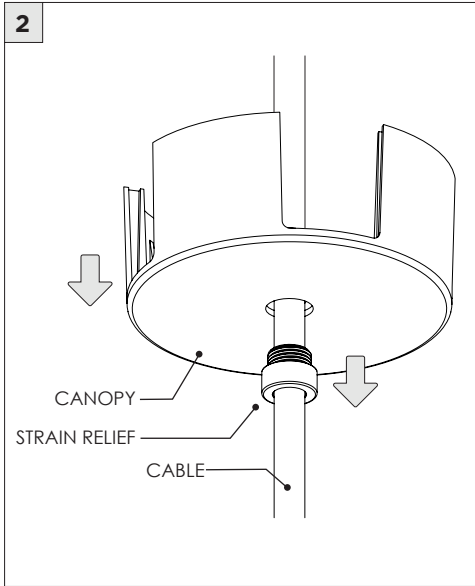
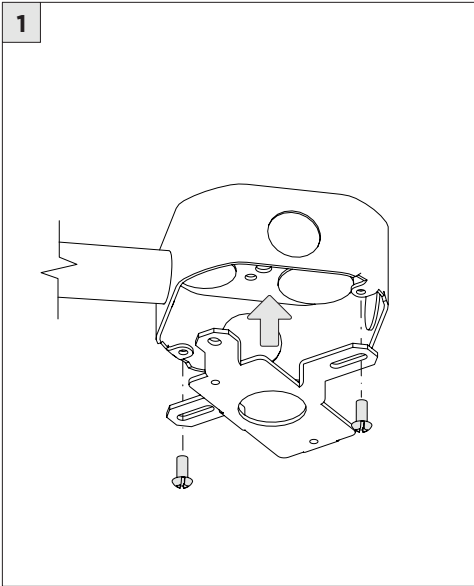
INSTRUCTION KEY

INFORMATION

- ADDITIONAL
- ATTENTION
- POWER ON
- POWER OFF

INSTALLATION SHOULD ONLY BE PERFORMED BY A CERTIFIED ELECTRICIAN
 REFER TO LOCAL/NATIONAL CODES FOR PROPER INSTALLATION
 FAILURE TO FOLLOW INSTALLATION INSTRUCTION MAY VOID THE WARRANTY
 DO NOT TOUCH LEDS. LEDS MUST BE PROTECTED FROM MECHANICAL STRESS OR DEBRIS
 TURN OFF POWER DURING INSTALLATION OR SERVICING





DRIVER SERVICING

1A

2

LED SERVICING

1

UNCLIP LOUVER FROM LED ASSEMBLY

2

UNCLIP CENTER CAP FROM LED ASSEMBLY

3

LOCATE CENTER SCREW

4

UNSCREW CENTER SCREW TO REMOVE LED ASSEMBLY

5

DISCONNECT QUICK-CONNECT CABLE FROM LED ASSEMBLY

6

CONNECT QUICK-CONNECT CABLE TO NEW LED ASSEMBLY

7

SCREW NEW LED ASSEMBLY INTO CYLINDER

8

CENTER CAP

9

LOUVER