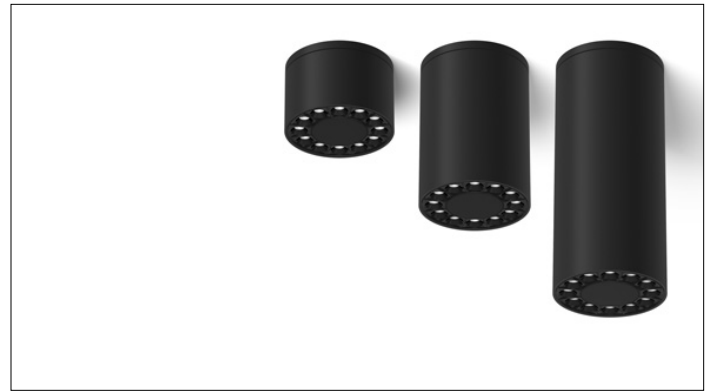


# 3G LIGHTING

## 3G-SDZ45R

4.5" ZOIE CYLINDER  
3", 7" AND 11" HEIGHT



4.5" diameter Surface Mounted Zoie Cylinder  
Companion to 3G-DZ45R Round Zoie Downlight  
Regressed LED source provides maximum visual comfort, UGR <10  
High gloss black or white louvers with proprietary optics and no glare  
Extruded aluminum housing with powder coated finish  
Twist and lock construction and no visible hardware  
Lumen range from 1000lm to 3000lm (80+ and 90+ CRI options)  
100-1% dimming range standard with integral driver options

<b>PROJECT:</b>		<b>TYPE:</b>	
<b>CATALOG#:</b>		<b>DATE:</b>	<b>QTY:</b>

CAT. NO	FIXTURE HEIGHT	LUMEN OUTPUT	CRI	COLOR TEMP
<b>3G-SDZ45R</b>	<b>3H - 3" HEIGHT *</b> <b>7H - 7" HEIGHT *</b> <b>11H - 11" HEIGHT</b>  <small>*3H up to 2000lm (80+CRI) *3H up to 1500lm (90+CRI) 3H available with DIM and LE drivers only 7H available with DIM, LE, D01 and DALI drivers only</small>	<b>10 - 1000 LUMENS</b> <b>15 - 1500 LUMENS</b> <b>20 - 2000 LUMENS</b> <b>25 - 2500 LUMENS</b> <b>30 - 3000 LUMENS<sup>1</sup></b>  <small>Lumen outputs are delivered lumens based on 80+ CRI, 3000K source. See performance chart for all options</small>	<b>S80 - 80+ CRI</b> <b>H90 - 90+ CRI</b>	<b>27K - 2700K<sup>2</sup></b> <b>30K - 3000K</b> <b>35K - 3500K</b> <b>40K - 4000K<sup>2</sup></b>

BEAM ANGLE	VOLTAGE	DRIVER	HOUSING FINISH	LOUVER FINISH
<b>20D - 20°</b> <b>40D - 40°</b> <b>60D - 60°</b>	<b>UNV - 120/277V</b> <b>120 - 120V</b> <b>347 - 347V<sup>3</sup></b>	<b>DIM - 0-10V (100-1%)</b> <b>LE - PHASE DIM (TRIAC/ELV, 100-1%)<sup>4</sup></b> <b>D01 - 0-10V (100-0.1%)</b> <b>DALI - DALI (100-1%)<sup>5</sup></b> <b>DHL2 - LUTRON HI-LUME (1% ECOSYSTEM)</b> <b>DMX - DMX (100-0%)</b>	<b>BK - BLACK TRIM</b> <b>WH - WHITE TRIM</b> <b>SV - SILVER TRIM</b>	<b>BLV - BLACK</b> <b>WLV - WHITE</b>

OPTIONS
<b>CFB - BLACK CONDUIT FEED CANOPY</b> <b>CFW - WHITE CONDUIT FEED CANOPY</b> <b>CFS - SILVER CONDUIT FEED CANOPY</b> <b>EMR - EMERGENCY BATTERY (REMOTE)<sup>6</sup></b>

<sup>1</sup> 3000lm not available with 90CRI  
<sup>2</sup> 2700K only available in 90CRI and 4000K only available in 80CRI  
<sup>3</sup> 347 available in "DIM" 0-10V only (100-1%). Not available with 3" height and 7" height  
<sup>4</sup> Phase dimming options available in 120V only  
<sup>5</sup> DALI-2 (Type 6) provided as standard. Consult factory for DALI Type 8 option  
<sup>6</sup> Emergency battery installed remotely by others. Not accessible through the inside of the fixture

**PERFORMANCE**

LUMEN OUTPUT	DELIVERED LUMENS	SYSTEM WATTS	EFFICACY (LPW)
1000	1000	8.0	124.7
1500	1500	12.8	116.9
2000	2000	17.1	116.7
2500	2500	22.3	112.2
3000	3000	29.0	103.4

BASED ON 80+ CRI, 3000K WITH 40D OPTIC  
Lumen output and actual wattage may vary +/- 5%

**MULTIPLIERS**

COLOR TEMP	80+ CRI
2700K	N/A
3000K	1.00
3500K	0.94
4000K	1.11

COLOR TEMP	90+ CRI
2700K	0.83
3000K	0.83
3500K	0.88
4000K	N/A

BEAM ANGLE	
20D	0.98
40D	1.00
60D	1.02

**HOUSING**

Extruded aluminum housing with powder coated finish  
Twist and lock construction with no visible hardware

**OPTICS**

4.5" aperture with regressed LED source for maximum visual comfort  
High gloss black or white louvers with proprietary optics and no glare  
Polycarbonate multi-faceted reflectors  
Available in 20°, 40° and 60°  
UGR <10

**LISTING**

ETL listed and conforms to UL1598 standard. Certified to CSA22.2 No.250.0. Rated for indoor locations

**WARRANTY**

5 Year Warranty on LED and drivers  
Manufacturer 1 Year Warranty for defects in material and workmanship under normal use  
Ambient temperature at fixture should not exceed 25°C

**ELECTRICAL**

Standard 0-10V, constant current drivers with 100-1% dimming range and >0.9 power factor  
120V Forward Phase/Reverse Phase driver option with 100-1% dimming range  
Standard 120/277V universal voltage with several driver options  
All drivers are integral and easily accessible through luminaire aperture  
3" and 7" models include 0-10V drivers that operate only with dimmers that sink current (not designed for source current)  
Compatible 0-10V dimmers for all 3" and 7" height models listed below:  
**Lutron** NFTV, **Lutron** DDTV , **Lutron** DVSTV, **Lutron** VIVE RMJS-8TN, **Leviton** IP710-DLZ, **Philips** SR1200ZTUNV, **Cooper** SF10P

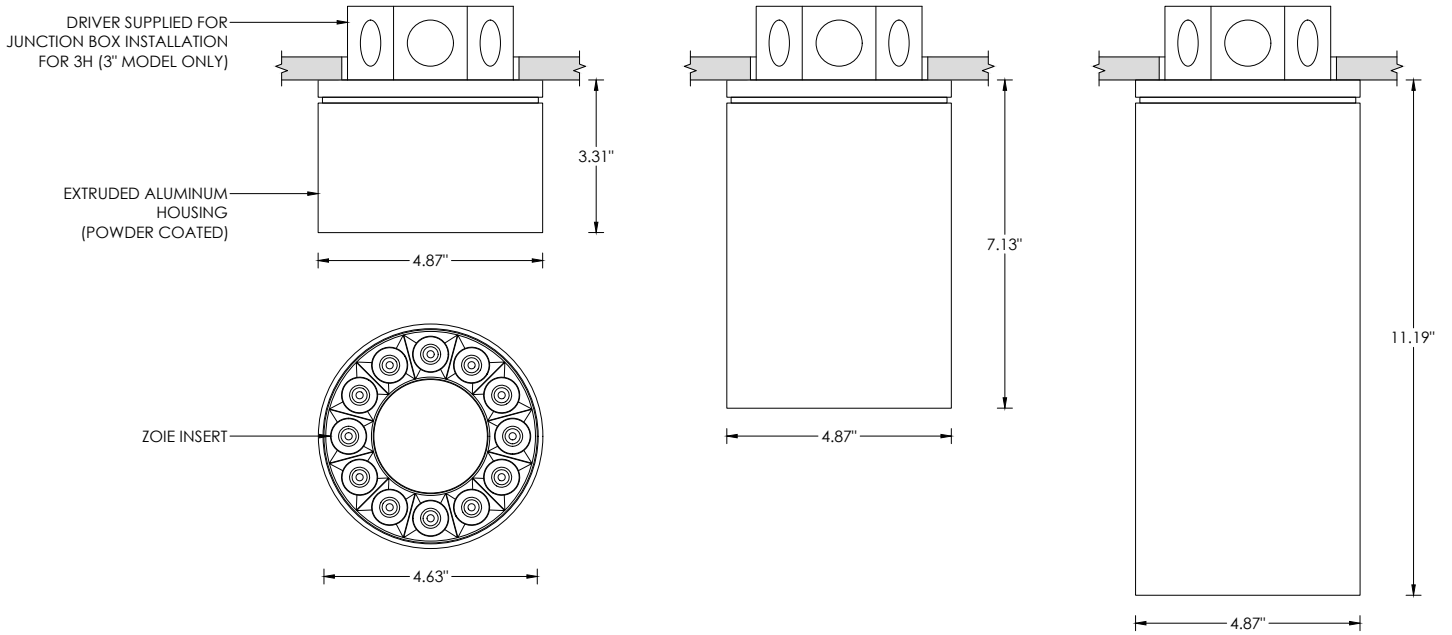
**LED SYSTEM**

Osram LED source  
Color consistency <2 SDCM  
80+ and 90+ CRI  
Available in 27K, 30K, 35K, and 40K  
L90 >60,000 hours  
5 year warranty

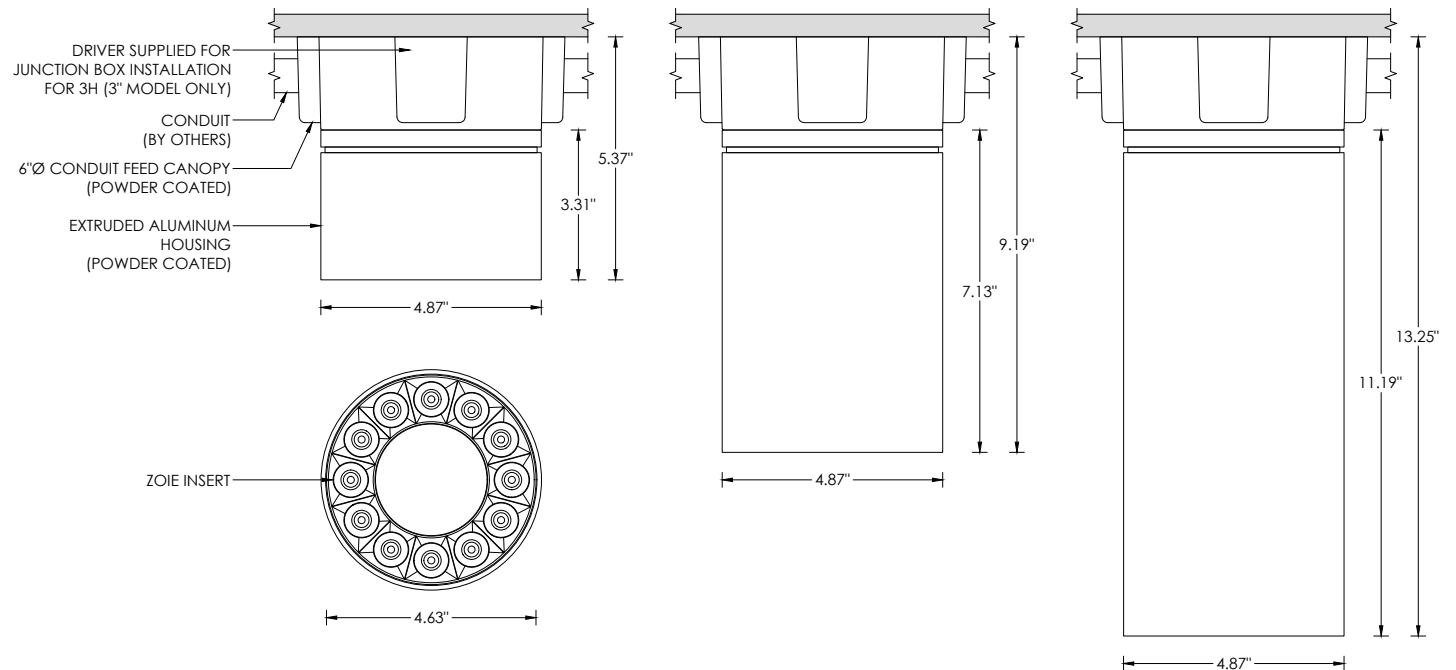
**MOUNTING**

All hardware included for mounting to 4" octagonal junction box  
Twist and lock mechanism  
Conduit feed cut-out canopy option designed to mount to 4" octagonal junction box

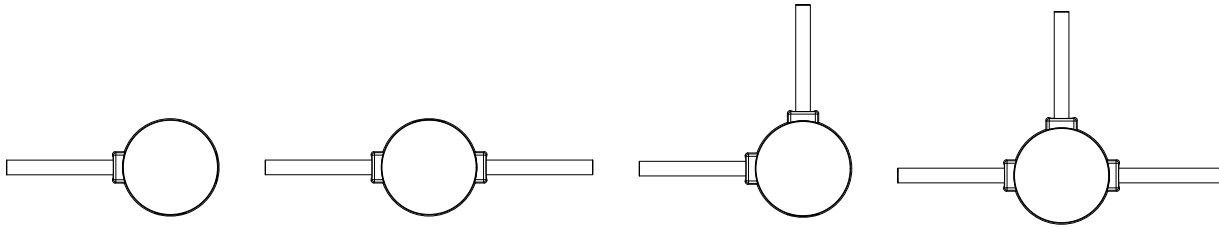
**RECESSED 4" OCTAGONAL JUNCTION BOX BY OTHERS**  
STANDARD CANOPY MOUNT



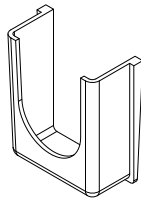
**SURFACE 4" OCTAGONAL X 1.5" DEEP JUNCTION BOX BY OTHERS**  
CONDUIT FEED CANOPY MOUNT (CFX OPTION)



**CONDUIT FEED CANOPY MOUNTING OPTIONS**



CONDUIT COVER  
3 PROVIDED WITH EACH  
CONDUIT FEED CANOPY



BLANK  
2 PROVIDED WITH EACH  
CONDUIT FEED CANOPY

