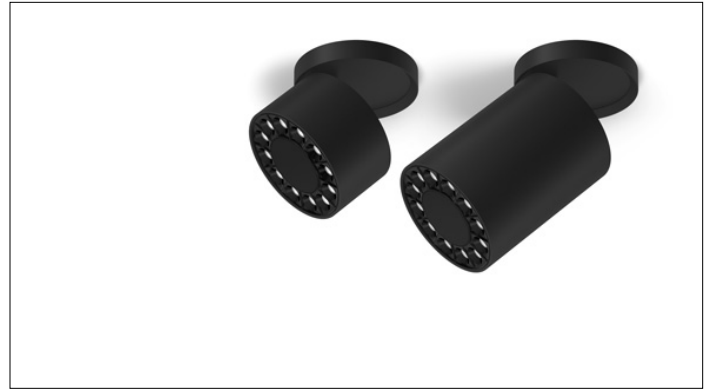


3G LIGHTING

3G-SDZ45RA

4.5" ADJUSTABLE ZOIIE CYLINDER
3" AND 7" HEIGHT



4.5" diameter adjustable Zoie cylinder with 0-90° tilt and 360° rotation
Companion to 3G-DZ45R Round Zoie Downlight
Regressed LED source provides maximum visual comfort, UGR <10
High gloss black or white louvers with proprietary optics and no glare
Extruded aluminum housing with powder coated finish
Lumen range from 1000lm to 3000lm (80+ and 90+ CRI options)
100-1% dimming range standard with integral driver options

PROJECT:		TYPE:	
CATALOG#:		DATE:	QTY:

CAT. NO	FIXTURE HEIGHT	LUMEN OUTPUT	CRI	COLOR TEMP
3G-SDZ45RA	3H - 3" HEIGHT 7H - 7" HEIGHT	10 - 1000 LUMENS 15 - 1500 LUMENS 20 - 2000 LUMENS 25 - 2500 LUMENS 30 - 3000 LUMENS ¹	S80 - 80+ CRI H90 - 90+ CRI	27K - 2700K ² 30K - 3000K 35K - 3500K 40K - 4000K ²
	<small>*3H up to 2000lm (80+CRI) *3H up to 1500lm (90+CRI) DIM and LE drivers only</small>	<small>Lumen outputs are delivered lumens based on 80+ CRI, 3000K source. See performance chart for all options</small>		

BEAM ANGLE	VOLTAGE	DRIVER	HOUSING FINISH	LOUVER FINISH
20D - 20° 40D - 40° 60D - 60°	UNV - 120/277V 120 - 120V	DIM - 0-10V (STANDARD 100-1%) LE - PHASE DIM (TRIAC/ELV, 100-1%) ³	BK - BLACK TRIM WH - WHITE TRIM SV - SILVER TRIM	BLV - BLACK WLV - WHITE

OPTIONS
CFB - BLACK CONDUIT FEED CANOPY CFW - WHITE CONDUIT FEED CANOPY CFS - SILVER CONDUIT FEED CANOPY EMR - EMERGENCY BATTERY (REMOTE) ⁴

¹ 3000lm not available with 90CRI
² 2700K only available in 90CRI and 4000K only available in 80CRI
³ Phase dimming options available in 120V only
⁴ Emergency battery installed remotely by others. Not accessible through the inside of the fixture

PERFORMANCE

LUMEN OUTPUT	DELIVERED LUMENS	SYSTEM WATTS	EFFICACY (LPW)
1000	1000	8.0	124.7
1500	1500	12.8	116.9
2000	2000	17.1	116.7
2500	2500	22.3	112.2
3000	3000	29.0	103.4

BASED ON 80+ CRI, 3000K WITH 40D OPTIC
Lumen output and actual wattage may vary +/- 5%

MULTIPLIERS

COLOR TEMP	80+ CRI
2700K	N/A
3000K	1.00
3500K	0.94
4000K	1.11

COLOR TEMP	90+ CRI
2700K	0.83
3000K	0.83
3500K	0.88
4000K	N/A

BEAM ANGLE	
20D	0.98
40D	1.00
60D	1.02

HOUSING

Extruded aluminum housing with powder coated finish
Twist and lock construction with no visible hardware
Adjustable housing with 0-90° tilt and 360° rotation features proprietary swivel mechanism

OPTICS

4.5" aperture with regressed LED source for maximum visual comfort
High gloss black or white louvers with proprietary optics and no glare
Polycarbonate multi-faceted reflectors
Available in 20°, 40° and 60°
UGR <10

LISTING

ETL listed and conforms to UL1598 standard. Certified to CSA22.2 No.250.0. Rated for indoor locations

WARRANTY

5 Year Warranty on LED and drivers
Manufacturer 1 Year Warranty for defects in material and workmanship under normal use
Ambient temperature at fixture should not exceed 25°C

ELECTRICAL

Standard 0-10V, constant current drivers with 100-1% dimming range and >0.9 power factor
120V Forward Phase/Reverse Phase driver option with 100-1% dimming range
Standard 120/277V universal voltage with several driver options
All drivers are integral and easily accessible through luminaire aperture
3" and 7" models include 0-10V drivers that operate only with dimmers that sink current (not designed for source current)
Compatible 0-10V dimmers for all 3" and 7" height models listed below:
Lutron NFTV, **Lutron** DDTV , **Lutron** DVSTV, **Lutron** VIVE RMJS-8TN, **Leviton** IP710-DLZ, **Philips** SR1200ZTUNV, **Cooper** SF10P

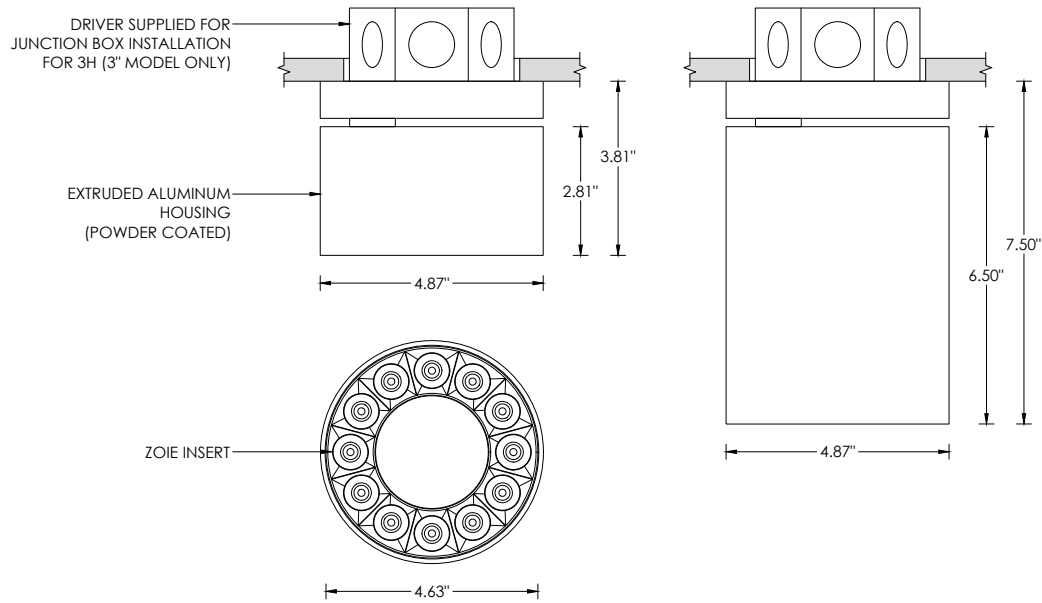
LED SYSTEM

Osram LED source
Color consistency <2 SDCM
80+ and 90+ CRI
Available in 27K, 30K, 35K, and 40K
L90 >60,000 hours
5 year warranty

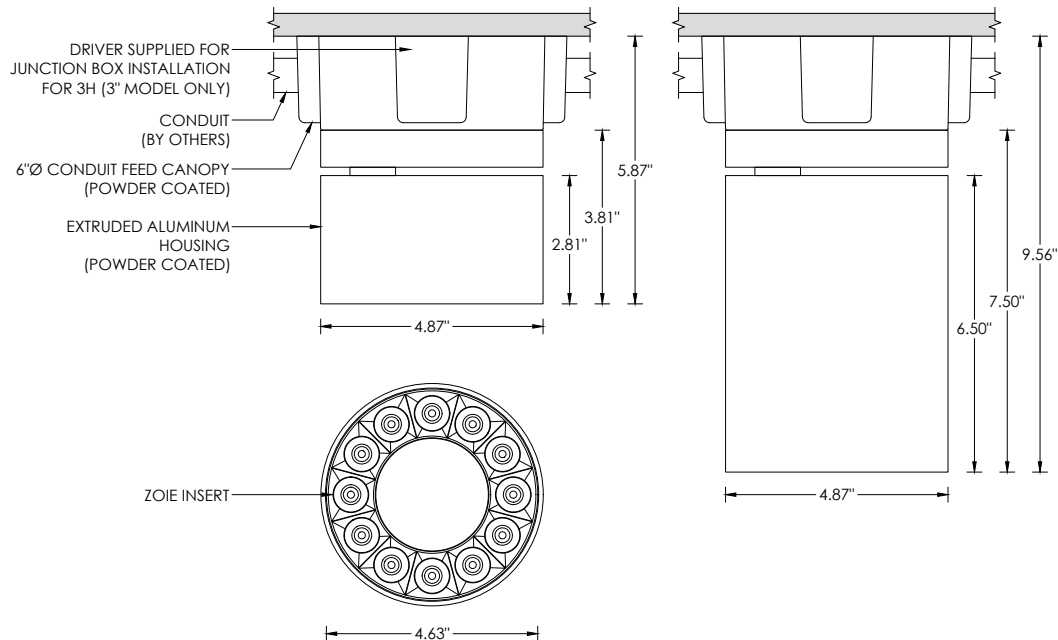
MOUNTING

All hardware included for mounting to 4" octagonal junction box
Twist and lock mechanism
Conduit feed cut-out canopy option designed to mount to 4" octagonal junction box

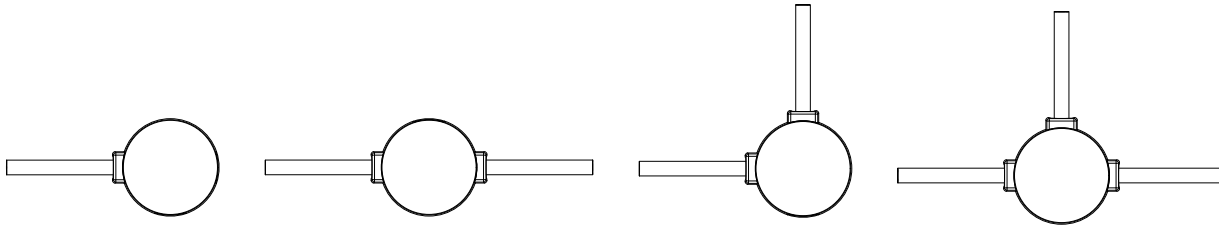
RECESSED 4" OCTAGONAL JUNCTION BOX BY OTHERS
STANDARD CANOPY MOUNT



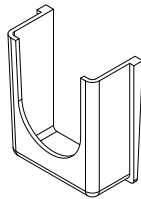
RECESSED 4" OCTAGONAL JUNCTION BOX BY OTHERS
SEAMLESS CANOPY MOUNT (FXC OPTION) FOR NEW CONSTRUCTION ONLY



CONDUIT FEED CANOPY MOUNTING OPTIONS



CONDUIT COVER
3 PROVIDED WITH EACH
CONDUIT FEED CANOPY



BLANK
2 PROVIDED WITH EACH
CONDUIT FEED CANOPY

